

H 7660 BP AM

24" oven

in a perfectly combinable design with roast probe and BrilliantLight.



- Touch display with proximity sensor – M Touch S + MotionReact
- Minimal cleaning effort – Self Clean equipment & Self Clean ready
- Especially fluffy dough and nicely browned crusts – Moisture Plus
- Ensures your food won't overcook – TasteControl
- Network-enabled WiFi appliance – Miele@home

EAN: 4002516483823 / Material number: 11804810 /
Old Material Number: 22766045USA

| General information | |
|--|-------------------|
| Model number | H 7660 BP AM |
| Manufacturer material number | 11804810 |
| EAN number | 4002516483823 |
| Marketing class | Platinum |
| Construction type and design | |
| PureLine | • |
| Construction type and design | |
| Built-in wall oven | • |
| Color | Clean Touch Steel |
| Convenience features | |
| Precise oven temperature regulation in °F (°C) | 85-575 (30-300) |
| TasteControl | • |
| Rapid PreHeat | • |
| Roast probe | wired |
| Keep-warm function | • |
| Crisp Function | • |
| Operating modes | |
| Defrost | • |
| Auto roast | • |
| Broil | • |
| Moisture Plus with AutoRoast | • |
| Moisture Plus with Convection Bake | • |
| Intensive | • |
| Moisture Plus with Intensive | • |
| Moisture plus | • |
| Moisture Plus with Surround | • |
| Slow roast | • |
| Surround | • |
| Browning | • |
| Bake | • |
| Convection Roast | • |
| Special modes | • |
| Maxi Broil | • |
| Automatic programs | • |
| User convenience | |
| Networking with Miele@home | • |
| Control panel | M Touch S Display |
| SoftOpen | • |
| SoftClose | • |
| MultiLingua | • |
| MyMiele | • |
| Show me how | • |
| Timed bursts of steam | • |
| Time of day display | • |
| Time synchronization | • |
| Date display | • |
| Minute minder | • |

H 7660 BP AM

24" oven

in a perfectly combinable design with roast probe and BrilliantLight.



EAN: 4002516483823 / Material number: 11804810 /

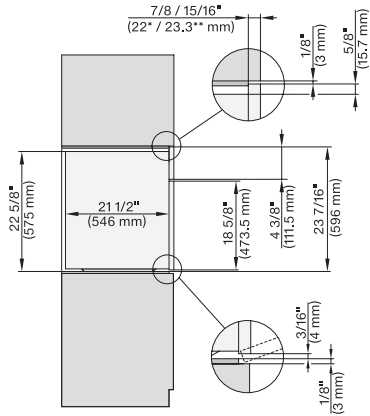
Old Material Number: 22766045USA

| | |
|--|---|
| Programming start of cooking duration | • |
| Programming end of cooking duration | • |
| Programmable cooking time | • |
| Actual temperature display | • |
| Audible signal when desired temperature is reached | • |
| Default temperature | • |
| Favorites | • |
| Sabbath program | • |
| Individual settings | • |
| Intake pipe for collecting water | • |
| Efficiency and sustainability | |
| Automatic residual heat utilization | • |
| Cleaning convenience | |
| Clean Touch Steel surface | • |
| Self-cleaning | • |
| Foldable broil heater element | • |
| CleanGlass door | • |
| Steam technology/water supply | |
| Steam generator power in kW | 1.10 |
| Fresh water container volume in l | 0.3 |
| Intake pipe for collecting water | • |
| Safety | |
| Appliance cooling system and cool touch front | • |
| Safety cut-out | • |
| System lock | • |
| Door lock during self cleaning | • |
| Sensor lock | • |
| Technical data | |
| Cavity volume in cu.ft (l) | 2.97 (84) |
| No. of rack levels | 5 |
| Labeling of rack levels | • |
| Oven interior lighting | 1 halogen spot |
| Plug type | NEMA plug: 14–30 |
| Niche width min. in inches (mm) | 22 (560) |
| Niche width max. in inches (mm) | 22 3/8 (568) |
| Niche height min. in inches (mm) | 23 1/4 (590) |
| Niche height max. in inches (mm) | 23 3/8 (595) |
| Niche depth in in. (mm) | 21 5/8 (550) |
| Appliance dimensions (W x H x D) in inches (mm) | 23 1/2 (595) x 23 1/2 (596) x 22 1/2 (569) |
| Weight in lbs. (kg) | 103 (46.5) |
| Weight in lbs. (kg) | 102.52 (46.5) |
| Weight in lbs. (kg) | 103 (46.5) |
| Total connected load in kW | 5.40 |
| Length of power cord in in. (m) | 1.80 |
| Power Rating in V | 120 |
| Voltage in V | 240/208 |
| Frequency in Hz | 60 |
| Fuse rating in A | 30 |

H 7660 BP AM

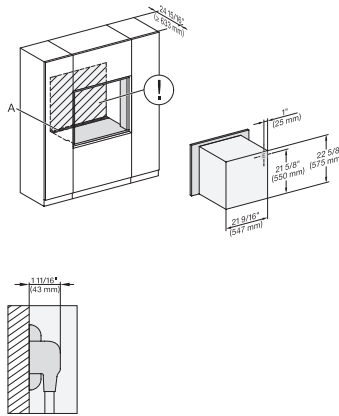
24" oven

in a perfectly combinable design with roast probe and BrilliantLight.



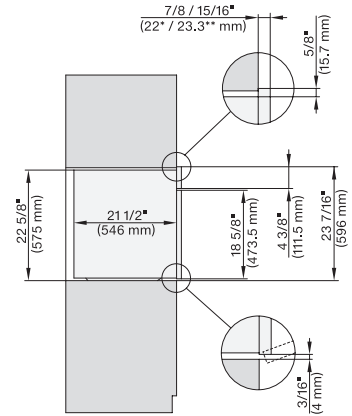
side view, 30 inch Flush inset 650S, installation drawing, NA

7/8" – 22* mm – Glas, 15/16" – 23.3** mm – Edelstahl



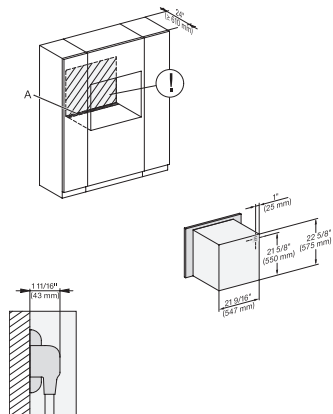
installation 30 inch Flush inset 650S, installation drawing, NA

A – Cut-out (1 9/16" x 11 1/16" / 40 mm x 500 mm) in the bottom of the cabinet for power cord and ventilation, – Electrical and water supplies are recommended to be placed in adjacent cabinetry., Additional cabinet depth is required when placing the electrical and water supplies behind the appliance., E = Electric connection



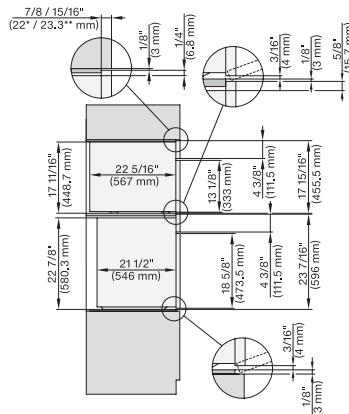
side view 30 inch Proud 650S, installation drawing, NA

7/8" – 22* mm – Glas, 15/16" – 23.3** mm – Edelstahl



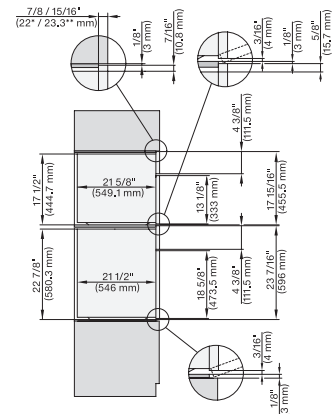
installation 30 inch Proud 650S, installation drawing, NA

A – Cut-out (1 9/16" x 11 1/16" / 40 mm x 500 mm) in the bottom of the cabinet for power cord and ventilation, – Electrical and water supplies are recommended to be placed in adjacent cabinetry., Additional cabinet depth is required when placing the electrical and water supplies behind the appliance., E = Electric connection



DGC6x00-1+EBA 6808, H 6560B+EBA 6808, H 6x60 BP+EBA6808, DGC7xxx, H7xxx, EBA78x8 Combi, Install. drawl., Flush inset, NA

7/8" – 22* mm – Glas, 15/16" – 23.3** mm – Edelstahl



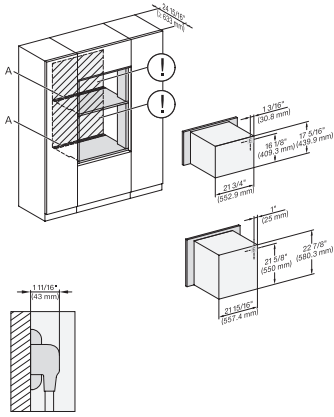
H 6560 B + EBA 6808, H 6x60 BP + EBA 6808, H 6x00 BM + EBA 6808, H7xxx, EBA 78x8 Combi, Install drawing, Flush inset, NA

7/8" – 22* mm – Glas, 15/16" – 23.3** mm – Edelstahl

H 7660 BP AM

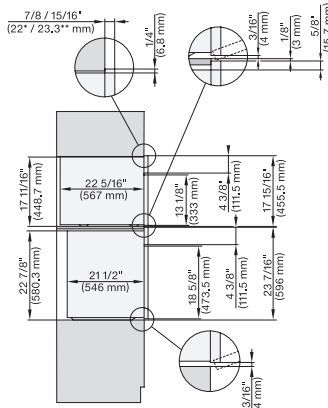
24" oven

in a perfectly combinable design with roast probe and BrilliantLight.



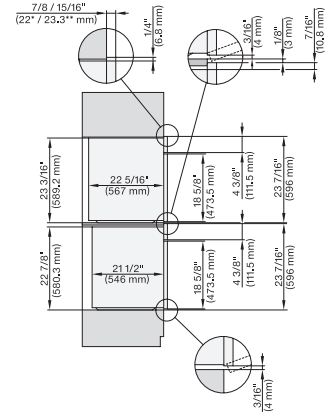
H 6560 B + EBA 6808, H 6x60 BP + EBA 6808, H 6x00 BM, H 7xxx, EBA 78x8, Installation drawing, Flush inset, NA

A – Cut-out (4" x 28" / 100 mm x 720 mm) in the bottom of the cabinet for power cord and ventilation, – Electrical and water supplies are recommended to be placed in adjacent cabinetry, Additional cabinet depth is required when placing the electrical and water supplies behind the appliance, E = Electric connection



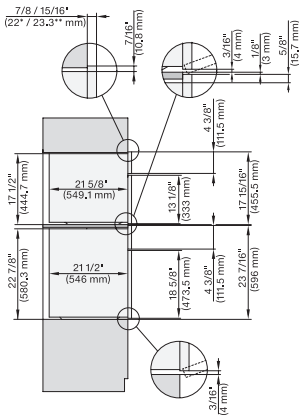
DGCxxx-1+EBAx8x8, H6560B+EBA6808, HxxxBP+EBAx8x8, Combi, Installation Drawing, Proud, Flush inset, NA

7/8" – 22* mm – Glas, 15/16" – 23.3** mm – Edelstahl



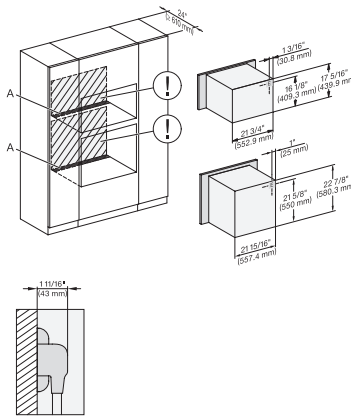
DGC6x6x(AM)+EBA6808, H6560B+EBA6808, H6x60BP+EBA6808, (DGC786x, H7x6xBP)+EBA7868, Combi, Installation drawing, Proud, NA

7/8" – 22* mm – Glas, 15/16" – 23.3** mm – Edelstahl



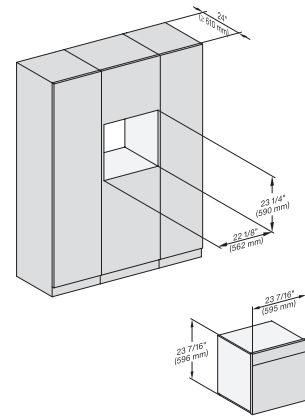
H 6560 B + EBA 6808, H 6x60 BP + EBA 6808, H 6x00 BM + EBA 6808, H 7xxx+EBA7x7x, Combi, Installation drawing, Proud, NA

7/8" – 22* mm – Glas, 15/16" – 23.3** mm – Edelstahl



H 6560 B + EBA 6808, H 6x60 BP + EBA6808, H6x00BM + EBA6808, NA7000 Installation Combi, Installation drawing, Proud, NA

A – Cut-out (4" x 28" / 100 mm x 720 mm) in the bottom of the cabinet for power cord and ventilation, – Electrical and water supplies are recommended to be placed in adjacent cabinetry, Additional cabinet depth is required when placing the electrical and water supplies behind the appliance, E = Electric connection

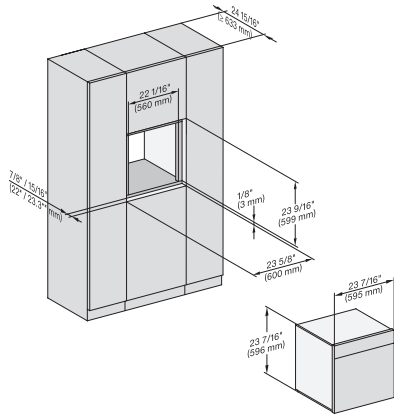


installation Proud 650S, installation drawing, NA

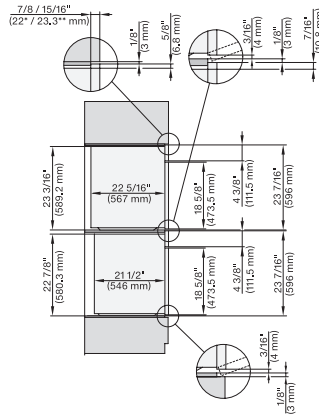
H 7660 BP AM

24" oven

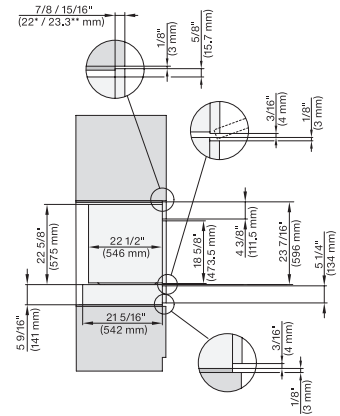
in a perfectly combinable design with roast probe and BrilliantLight.



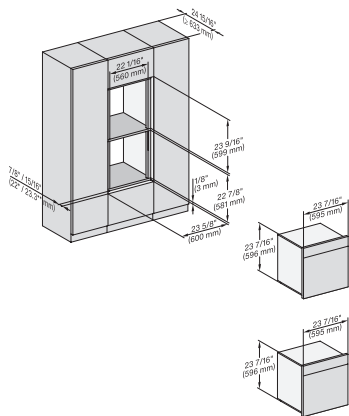
installation Flush inset 650S, installation drawing, NA
7/8" – 22* mm – Glass, 15/16" – 23.3** mm – Stainless steel



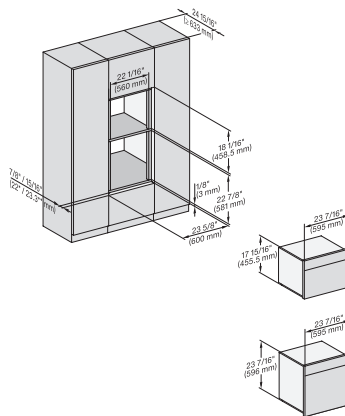
DGC786x(+EBA7848), H7x6xBP(+EBA7848), side view,
30 Zoll, Flush inset, combi, XXL, 650S
7/8" – 22* mm – Glass, 15/16" – 23.3** mm – Stainless steel



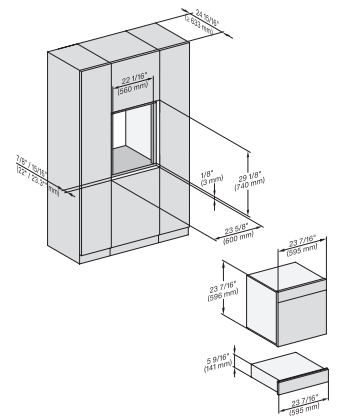
side view, Flush inset, combi, 650S, ESW
7/8" – 22* mm – Glass, 15/16" – 23.3** mm – Stainless steel



Installation Flush inset, combi, DGC XXL 650S
7/8" – 22* mm – Glass, 15/16" – 23.3** mm – Stainless steel, DGC: Minimum installation height 36" – 914 mm from floor to the device installation surface



Installation Flush inset, combi, 650S, 450S
7/8" – 22* mm – Glass, 15/16" – 23.3** mm – Stainless steel, DGC: Minimum installation height 36" – 914 mm from floor to the device installation surface,

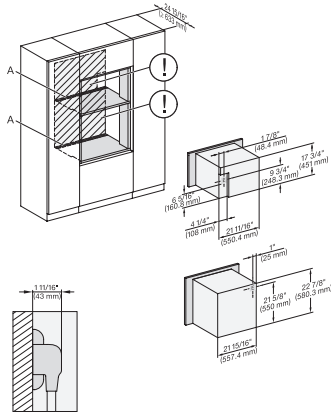


Installation Flush inset, combi, 650S, ESW
7/8" – 22* mm – Glass, 15/16" – 23.3** mm – Stainless steel

H 7660 BP AM

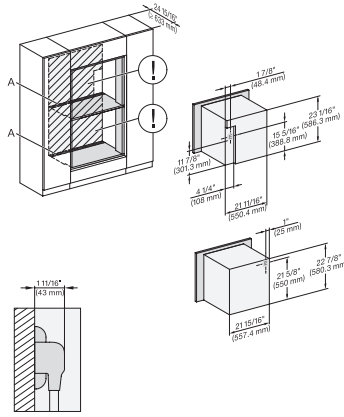
24" oven

in a perfectly combinable design with roast probe and BrilliantLight.



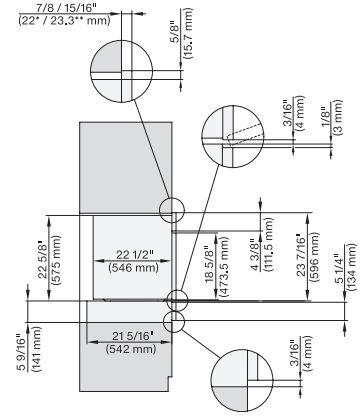
DGC7x4x(+EBA7848), H7x6xBP(+EBA7848), Installation, 30 Zoll, Flush inset, combi, XL, 650S

A – Cut-out (4" x 28" / 100 mm x 720 mm) in the bottom of the cabinet for power cord and ventilation, – Electrical and water supplies are recommended to be placed in adjacent cabinetry, Additional cabinet depth is required when placing the electrical and water supplies behind the appliance., E = Electric connection



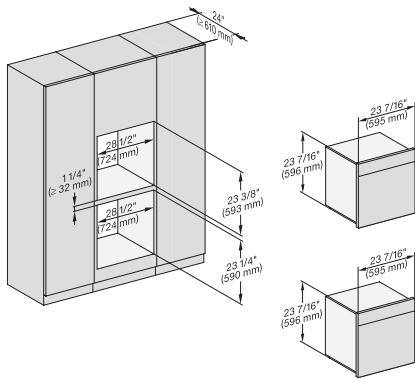
DGC786x+EBA7868, H7x6xBP(+EBA7848), Installation, 30 Zoll, Flush inset, combi, XXL, 650S

A – Cut-out (4" x 28" / 100 mm x 720 mm) in the bottom of the cabinet for power cord and ventilation, – Electrical and water supplies are recommended to be placed in adjacent cabinetry, Additional cabinet depth is required when placing the electrical and water supplies behind the appliance., E = Electric connection



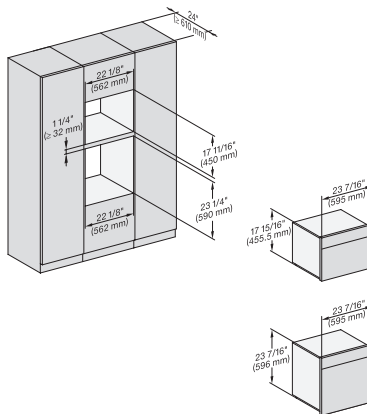
side view, Proud, combi, 650S, ESW

7/8" – 22* mm – Glass, 15/16" – 23.3** mm – Stainless steel



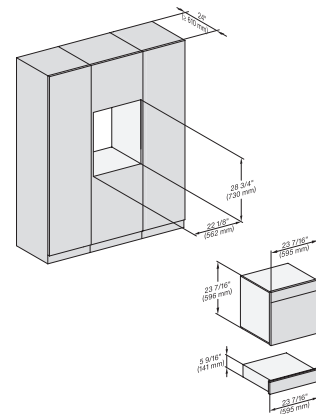
Installation Proud, combi, DGC XXL, 650S

DGC: Minimum installation height 36" – 914 mm from floor to the device installation surface



Installation Proud, combi, 650S, 450S

DGC: Minimum installation height 36" – 914 mm from floor to the device installation surface

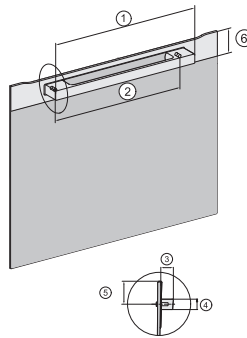
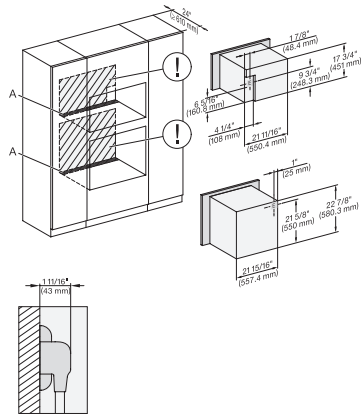


Installation Proud, combi, 650S ESW

H 7660 BP AM

24" oven

in a perfectly combinable design with roast probe and BrilliantLight.



DGC7x4x(+EBA7848), H7x6x(+EBA7848), Installation, 30 Zoll, Proud, combi, XL, 650S

A – Cut-out (4" x 28" / 100 mm x 720 mm) in the bottom of the cabinet for power cord and ventilation, – Electrical and water supplies are recommended to be placed in adjacent cabinetry, Additional cabinet depth is required when placing the electrical and water supplies behind the appliance., E = Electric connection

Handle H72xx, H76xx, H78xx, PureLine – NA7000 - Installation drawing

H2880BP, H7270BM, H7670BM, H7870BM, H7280BP, H7680BP, H7880BP, H7880BP2.; [2] 19 11/16" / 500 mm, [2] 17 1/2" / 444 mm, [2] 1 7/8" / 47 mm, [2] 15/16" / 24 mm, [2] 1 1/4" / 32,5 mm, [2] 2 9/16" / 65 mm, , H7240BM, H7640BM, H7840BM, H7263BP, H7660BP.; [2] 15 3/4" / 400 mm, [2] 14 3/16" / 360 mm, [2] 1 7/8" / 47 mm, [2] 15/16" / 24 mm, [2] 1 1/4" / 32,5 mm, [2] 2 9/16" / 65 mm