

H 7660 BP AM

24" oven

in a perfectly combinable design with roast probe and BrilliantLight.



- Touch display with proximity sensor – M Touch S + MotionReact
- Minimal cleaning effort – Self Clean equipment & Self Clean ready
- Especially fluffy dough and nicely browned crusts – Moisture Plus
- Ensures your food won't overcook – TasteControl
- Network-enabled WiFi appliance – Miele@home

EAN: 4002516483847 / Material number: 11804860 /
Old Material Number: 22766025USA

General information	
Model number	H 7660 BP AM
Manufacturer material number	11804860
EAN number	4002516483847
Marketing class	Platinum
Construction type and design	
VitroLine	•
Construction type and design	
Built-in wall oven	•
Color	Obsidian black
Convenience features	
Precise oven temperature regulation in °F (°C)	85-575 (30-300)
TasteControl	•
Rapid PreHeat	•
Roast probe	wired
Keep-warm function	•
Crisp Function	•
Operating modes	
Defrost	•
Auto roast	•
Broil	•
Moisture Plus with AutoRoast	•
Moisture Plus with Convection Bake	•
Intensive	•
Moisture Plus with Intensive	•
Moisture plus	•
Moisture Plus with Surround	•
Slow roast	•
Surround	•
Browning	•
Bake	•
Convection Roast	•
Special modes	•
Maxi Broil	•
Automatic programs	•
User convenience	
Networking with Miele@home	•
Control panel	M Touch S Display
SoftOpen	•
SoftClose	•
MultiLingua	•
MyMiele	•
Show me how	•
Timed bursts of steam	•
Time of day display	•
Time synchronization	•
Date display	•
Minute minder	•

H 7660 BP AM

24" oven

in a perfectly combinable design with roast probe and BrilliantLight.



EAN: 4002516483847 / Material number: 11804860 /

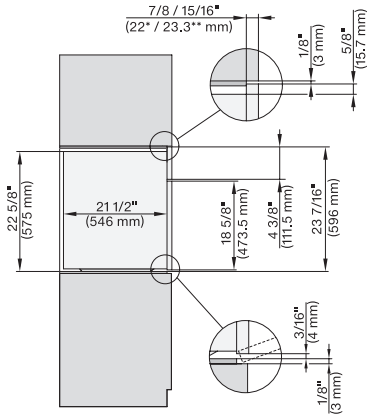
Old Material Number: 22766025USA

Programming start of cooking duration	•
Programming end of cooking duration	•
Programmable cooking time	•
Actual temperature display	•
Audible signal when desired temperature is reached	•
Default temperature	•
Favorites	•
Sabbath program	•
Individual settings	•
Intake pipe for collecting water	•
Efficiency and sustainability	
Automatic residual heat utilization	•
Cleaning convenience	
Self-cleaning	•
Foldable broil heater element	•
CleanGlass door	•
Steam technology/water supply	
Steam generator power in kW	1.10
Fresh water container volume in l	0.3
Intake pipe for collecting water	•
Safety	
Appliance cooling system and cool touch front	•
Safety cut-out	•
System lock	•
Door lock during self cleaning	•
Sensor lock	•
Technical data	
Cavity volume in cu.ft (l)	2.97 (84)
No. of rack levels	5
Labeling of rack levels	•
Oven interior lighting	1 halogen spot
Plug type	NEMA plug: 14-30
Niche width min. in inches (mm)	22 1/8 (560)
Niche width max. in inches (mm)	22 3/8 (568)
Niche height min. in inches (mm)	23 1/4 (590)
Niche height max. in inches (mm)	23 1/2 (595)
Niche depth in in. (mm)	21 3/4 (550)
Appliance dimensions (W x H x D) in inches (mm)	23 1/2 (595) x 23 1/2 (596) x 22 3/8 (568)
Weight in lbs. (kg)	103 (46.5)
Weight in lbs. (kg)	102.52 (46.5)
Weight in lbs. (kg)	103 (46.5)
Total connected load in kW	5.40
Length of power cord in in. (m)	1.80
Power Rating in V	120
Voltage in V	240/208
Frequency in Hz	60
Fuse rating in A	30
Number of phases	1

H 7660 BP AM

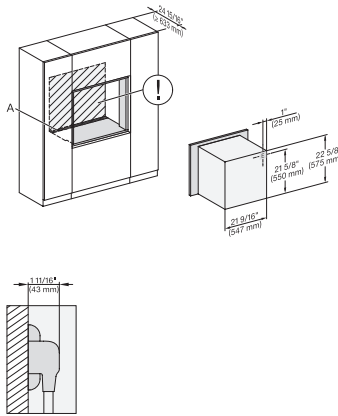
24" oven

in a perfectly combinable design with roast probe and BrilliantLight.



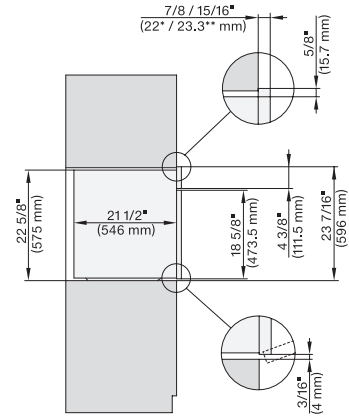
side view, 30 inch Flush inset 650S, installation drawing, NA

7/8" – 22* mm – Glas, 15/16" – 23.3** mm – Edelstahl



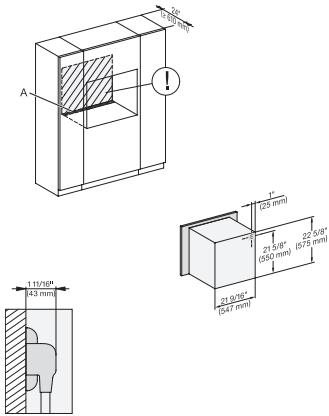
installation 30 inch Flush inset 650S, installation drawing, NA

A – Cut-out (1 9/16" x 11 1/16" / 40 mm x 500 mm) in the bottom of the cabinet for power cord and ventilation, – Electrical and water supplies are recommended to be placed in adjacent cabinetry., Additional cabinet depth is required when placing the electrical and water supplies behind the appliance., E = Electric connection



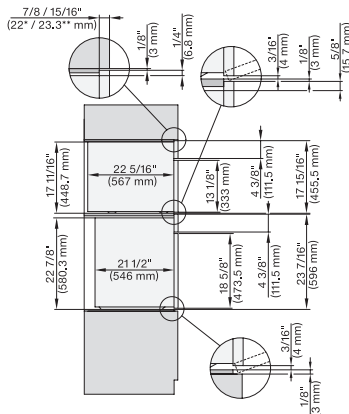
side view 30 inch Proud 650S, installation drawing, NA

7/8" – 22* mm – Glas, 15/16" – 23.3** mm – Edelstahl



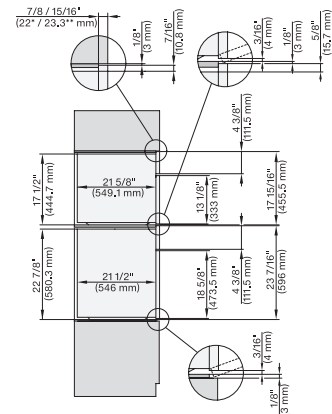
installation 30 inch Proud 650S, installation drawing, NA

A – Cut-out (1 9/16" x 11 1/16" / 40 mm x 500 mm) in the bottom of the cabinet for power cord and ventilation, – Electrical and water supplies are recommended to be placed in adjacent cabinetry., Additional cabinet depth is required when placing the electrical and water supplies behind the appliance., E = Electric connection



DGC6x00-1+EBA 6808, H 6560B+EBA 6808, H 6x60 BP+EBA6808, DGC7xxx, H7xxx, EBA78x8 Combi, Install. drawl., Flush inset, NA

7/8" – 22* mm – Glas, 15/16" – 23.3** mm – Edelstahl



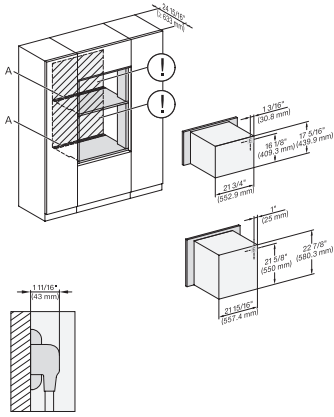
H 6560 B + EBA 6808, H 6x60 BP + EBA 6808, H 6x00 BM + EBA 6808, H7xxx, EBA 78x8 Combi, Install drawing, Flush inset, NA

7/8" – 22* mm – Glas, 15/16" – 23.3** mm – Edelstahl

H 7660 BP AM

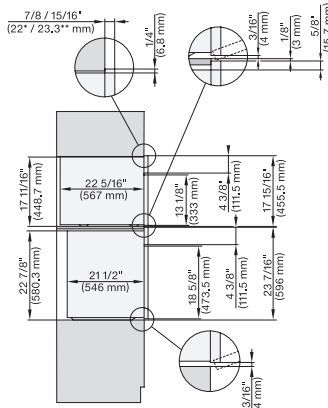
24" oven

in a perfectly combinable design with roast probe and BrilliantLight.



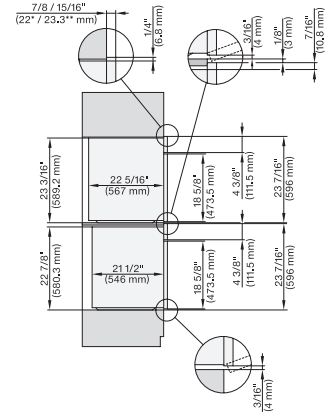
H 6560 B + EBA 6808, H 6x60 BP + EBA 6808, H 6x00 BM, H 7xxx, EBA 78x8, Installation drawing, Flush inset, NA

A – Cut-out (4" x 28" / 100 mm x 720 mm) in the bottom of the cabinet for power cord and ventilation, – Electrical and water supplies are recommended to be placed in adjacent cabinetry, Additional cabinet depth is required when placing the electrical and water supplies behind the appliance, E = Electric connection



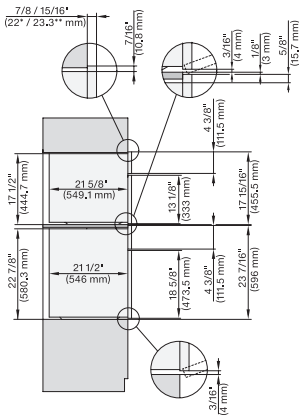
DGCxxx-1+EBAx8x8, H6560B+EBA6808, HxxxBP+EBAx8x8, Combi, Installation Drawing, Proud, Flush inset, NA

7/8" – 22* mm – Glas, 15/16" – 23.3** mm – Edelstahl



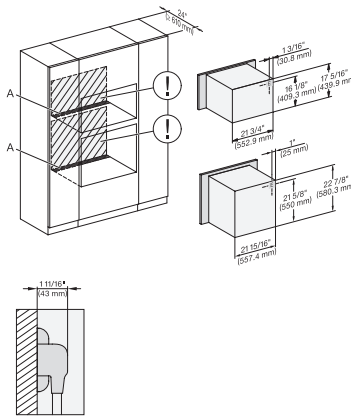
DGC6x6x(AM)+EBA6808, H6560B+EBA6808, H6x60BP+EBA6808, (DGC786x, H7x6xBP)+EBA7868, Combi, Installation drawing, Proud, NA

7/8" – 22* mm – Glas, 15/16" – 23.3** mm – Edelstahl



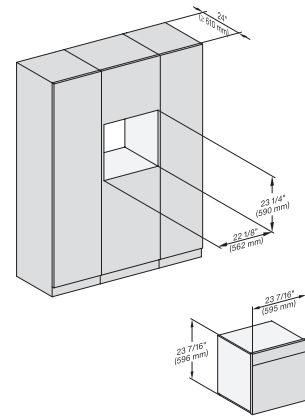
H 6560 B + EBA 6808, H 6x60 BP + EBA 6808, H 6x00 BM + EBA 6808, H 7xxx+EBA7x7x, Combi, Installation drawing, Proud, NA

7/8" – 22* mm – Glas, 15/16" – 23.3** mm – Edelstahl



H 6560 B + EBA 6808, H 6x60 BP + EBA6808, H6x00BM + EBA6808, NA7000 Installation Combi, Installation drawing, Proud, NA

A – Cut-out (4" x 28" / 100 mm x 720 mm) in the bottom of the cabinet for power cord and ventilation, – Electrical and water supplies are recommended to be placed in adjacent cabinetry, Additional cabinet depth is required when placing the electrical and water supplies behind the appliance, E = Electric connection

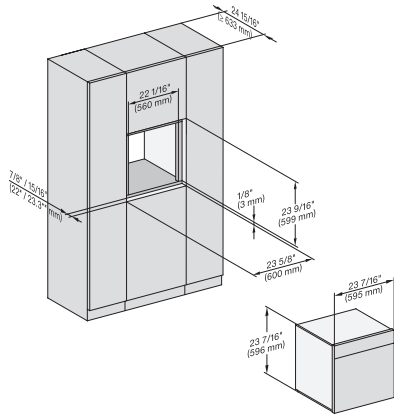


installation Proud 650S, installation drawing, NA

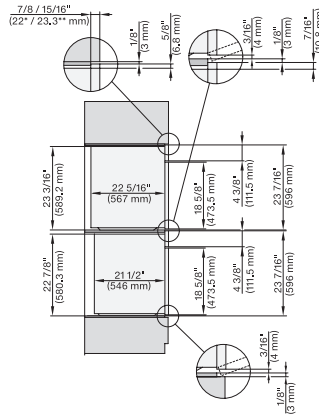
H 7660 BP AM

24" oven

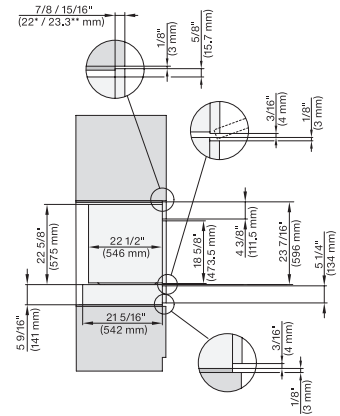
in a perfectly combinable design with roast probe and BrilliantLight.



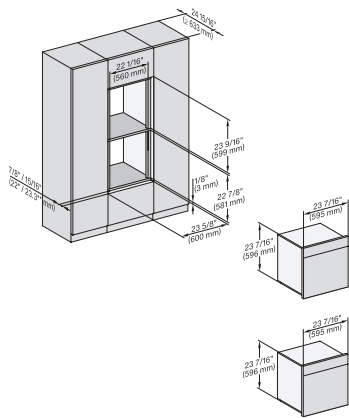
installation Flush inset 650S, installation drawing, NA
7/8" – 22* mm – Glass, 15/16" – 23.3** mm – Stainless steel



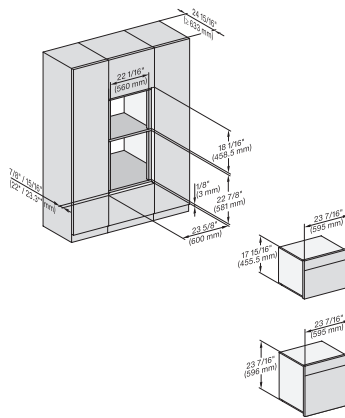
DGC786x(+EBA7848), H7x6xBP(+EBA7848), side view,
30 Zoll, Flush inset, combi, XXL, 650S
7/8" – 22* mm – Glass, 15/16" – 23.3** mm – Stainless steel



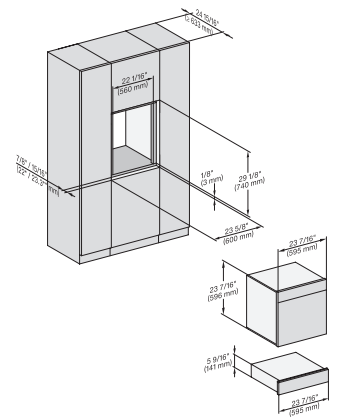
side view, Flush inset, combi, 650S, ESW
7/8" – 22* mm – Glass, 15/16" – 23.3** mm – Stainless steel



Installation Flush inset, combi, DGC XXL 650S
7/8" – 22* mm – Glass, 15/16" – 23.3** mm – Stainless steel, DGC: Minimum installation height 36" – 914 mm from floor to the device installation surface



Installation Flush inset, combi, 650S, 450S
7/8" – 22* mm – Glass, 15/16" – 23.3** mm – Stainless steel, DGC: Minimum installation height 36" – 914 mm from floor to the device installation surface,

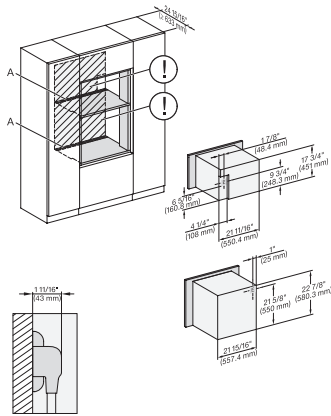


Installation Flush inset, combi, 650S, ESW
7/8" – 22* mm – Glass, 15/16" – 23.3** mm – Stainless steel

H 7660 BP AM

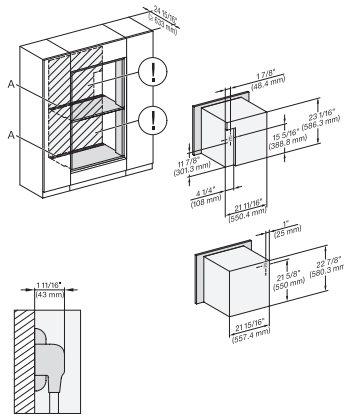
24" oven

in a perfectly combinable design with roast probe and BrilliantLight.



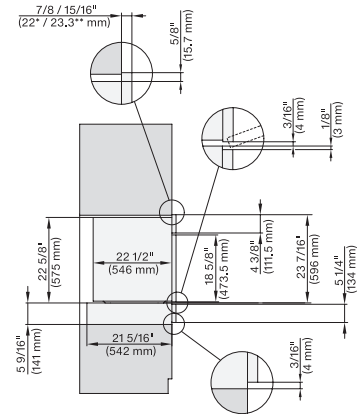
DGC7x4x(+EBA7848), H7x6xBP(+EBA7848), Installation, 30 Zoll, Flush inset, combi, XL, 650S

A – Cut-out (4" x 28" / 100 mm x 720 mm) in the bottom of the cabinet for power cord and ventilation, – Electrical and water supplies are recommended to be placed in adjacent cabinetry, Additional cabinet depth is required when placing the electrical and water supplies behind the appliance., E = Electric connection



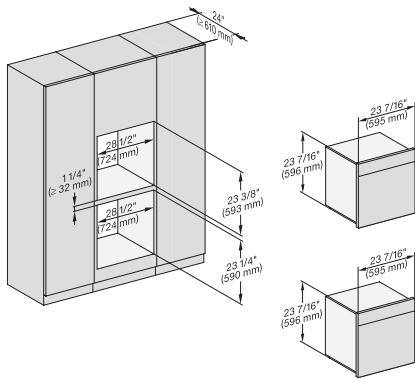
DGC786x+EBA7868, H7x6xBP(+EBA7848), Installation, 30 Zoll, Flush inset, combi, XXL, 650S

A – Cut-out (4" x 28" / 100 mm x 720 mm) in the bottom of the cabinet for power cord and ventilation, – Electrical and water supplies are recommended to be placed in adjacent cabinetry, Additional cabinet depth is required when placing the electrical and water supplies behind the appliance., E = Electric connection



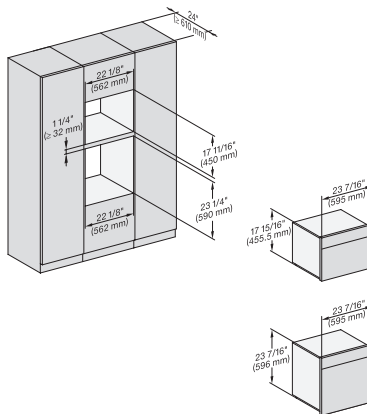
side view, Proud, combi, 650S, ESW

7/8" – 22* mm – Glass, 15/16" – 23.3** mm – Stainless steel



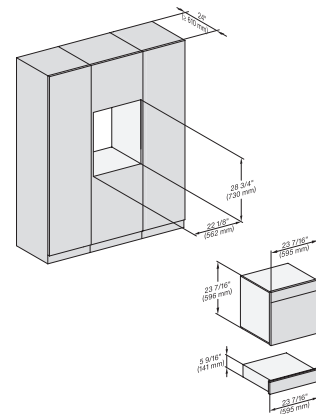
Installation Proud, combi, DGC XXL, 650S

DGC: Minimum installation height 36" – 914 mm from floor to the device installation surface



Installation Proud, combi, 650S, 450S

DGC: Minimum installation height 36" – 914 mm from floor to the device installation surface

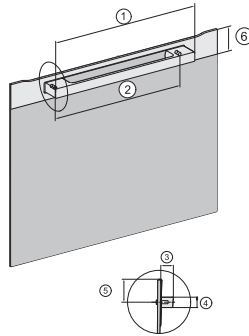
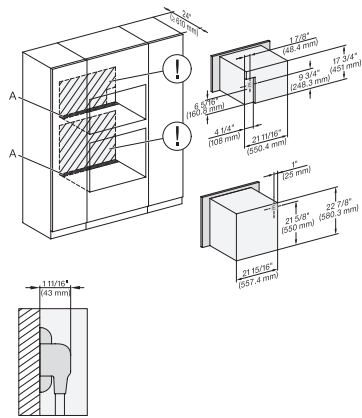


Installation Proud, combi, 650S ESW

H 7660 BP AM

24" oven

in a perfectly combinable design with roast probe and BrilliantLight.



DGC7x4x(+EBA7848), H7x6x(+EBA7848), Installation, 30 Zoll, Proud, combi, XL, 650S

A – Cut-out (4" x 28" / 100 mm x 720 mm) in the bottom of the cabinet for power cord and ventilation, – Electrical and water supplies are recommended to be placed in adjacent cabinetry, Additional cabinet depth is required when placing the electrical and water supplies behind the appliance., E = Electric connection

Handle H72xx, H76xx, H78xx, PureLine – NA7000 - Installation drawing

H2880BP, H7270BM, H7670BM, H7870BM, H7280BP, H7680BP, H7880BP, H7880BP2.; [2] 19 11/16" / 500 mm, [2] 17 1/2" / 444 mm, [2] 1 7/8" / 47 mm, [2] 15/16" / 24 mm, [2] 1 1/4" / 32,5 mm, [2] 2 9/16" / 65 mm, H7240BM, H7640BM, H7840BM, H7263BP, H7660BP.; [2] 15 3/4" / 400 mm, [2] 14 3/16" / 360 mm, [2] 1 7/8" / 47 mm, [2] 15/16" / 24 mm, [2] 1 1/4" / 32,5 mm, [2] 2 9/16" / 65 mm