

## H 7670 BM

30" compact speed oven

in a perfectly combinable design with automatic programs and roast probe.



- Touch display with proximity sensor – M Touch S + MotionReact
- Easy cleaning – cavity with linen-weave pattern & PerfectClean
- Faster and more consistent results – Quick & Gentle
- Network-enabled WiFi appliance – Miele@home
- Popcorn in a flash with the popcorn function

EAN: 4002516484936 / Material number: 11804610 /  
Old Material Number: 22767046USA

General information	
Model number	H 7670 BM
Manufacturer material number	11804610
EAN number	4002516484936
Class	Platinum
Construction type and design	
Color	Clean Touch Steel
PureLine	•
Construction type and design	
Built-in wall speed oven	•
User convenience	
3 in 1	Oven, Microwave, Speed oven
Convenience features	
Precise oven temperature regulation in °F (°C)	85-475 (30-250)
Quick & Gentle	•
Rapid PreHeat	•
Roast probe	wired
Keep-warm function	•
Crisp Function	•
Operating modes	
Defrost	•
Convection Bake	•
Convection Roast	•
Auto roast	•
Intensive	•
Slow roast	•
Microwave	•
Micro Broil	•
Combi Bake	•
Combi Broil	•
Surround	•
Bake	•
Convection Roast	•
Combi Auto Roast	•
Special modes	•
Maxi Broil	•
Automatic programs	•
User convenience	
MotionReact proximity sensor	•
Networking with Miele@home	•
Control panel	M Touch S Display
MotionReact: Light comes on when movement is detected	•
MotionReact: Display comes on when movement is detected	•
MotionReact: Audible signal to acknowledge when movement is detected	•
MotionReact: Detection of cabinet fronts	•

H 7670 BM

30" compact speed oven

in a perfectly combinable design with automatic programs and roast probe.



EAN: 4002516484936 / Material number: 11804610 /  
Old Material Number: 22767046USA

SoftOpen	•
SoftClose	•
MultiLingua	•
MyMiele	•
Show me how	•
Popcorn function	•
Time of day display	•
Time synchronization	•
Date display	•
Minute minder	•
Programming start of cooking duration	•
Programming end of cooking duration	•
Programmable cooking time	•
Actual temperature display	•
Audible signal when desired temperature is reached	•
Default temperature	•
Recommended microwave power	•
Minute Plus button	•
Favorites	•
Sabbath program	•
Individual settings	•
<b>Efficiency and sustainability</b>	
Automatic residual heat utilization	•
<b>Cleaning convenience</b>	
Clean Touch Steel surface	•
Stainless-steel cavity with linen surface structure	•
Foldable broil heater element	•
CleanGlass door	•
<b>Safety</b>	
Appliance cooling system and cool touch front	•
Safety cut-out	•
System lock	•
Sensor lock	•
<b>Technical data</b>	
Cavity volume in cu.ft (l)	1.52 (43)
No. of rack levels	3
Number of shelf levels oven compartment 1	3
Number of shelf levels oven compartment 2	3
Oven interior lighting	1 LED spot
Electronically controlled microwave power	•
Microwave power levels	1 - 7
Niche dimensions (W x H x D) in inches (mm)	28 5/8 (724)-28 5/8 (724) x 18 5/8 (470)-18 5/8 (472) x 24 1/8 (610)
Niche width min. in inches (mm)	28 5/8 (724)
Niche width max. in inches (mm)	28 5/8 (724)
Niche height min. in inches (mm)	18 5/8 (470)
Niche height max. in inches (mm)	18 5/8 (472)
Niche depth in in. (mm)	24 1/8 (610)

H 7670 BM

30" compact speed oven

in a perfectly combinable design with automatic programs and roast probe.



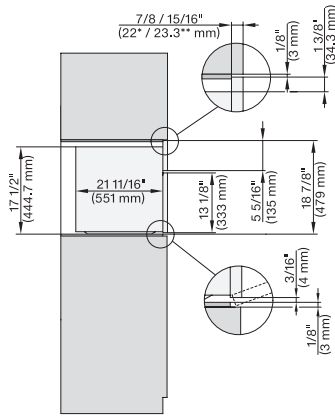
EAN: 4002516484936 / Material number: 11804610 /  
Old Material Number: 22767046USA

Appliance dimensions (W x H x D) in inches (mm)	29 7/8 (757) x 18 7/8 (479) x 22 5/8 (574)
Appliance width in in. (mm)	29 7/8 (757)
Appliance height in in. (mm)	18 7/8 (479)
Appliance depth in in. (mm)	22 5/8 (574)
Weight in lbs. (kg)	101 (45.5)
Weight in lbs. (kg)	100.31 (45.5)
Weight in lbs. (kg)	101 (45.5)
Total connected load in kW	4.00
Length of power cord in in. (m)	1.80
Power Rating in V	120
Voltage in V	240/208
Frequency in Hz	60
Fuse rating in A	30
Number of phases	1
Neutral conductor	Yes
<b>Standard accessories</b>	
Wire rack with PerfectClean	1
Wired food probe	1
Glass tray	1
<b>Available display languages</b>	
Available display languages via MultiLingua	[?][?][?][?][?][?][?][?][?][?], [?][?], [?] [?][?][?], deutsch, dansk, english, suomi, français, ελληνικά, italiano, [?][?][?], [?][?][?], hrvatski, bahasa malaysia, nederlands, norsk, polski, portugês, română, русский, svenska, srpski, slovenčina, slovenščina, español, čeština, türkçe, українська, magyar

## H 7670 BM

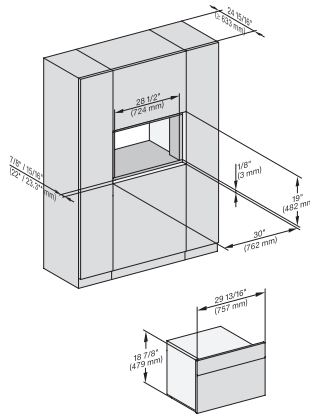
30" compact speed oven

in a perfectly combinable design with automatic programs and roast probe.



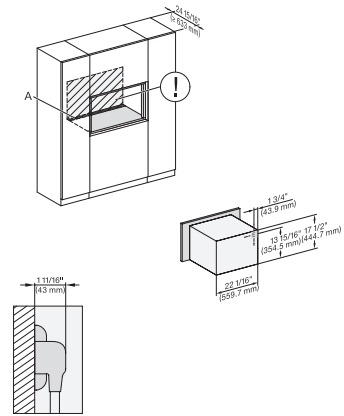
side view 30 inch Flush inset BM30, installation drawing, NA

7/8" – 22\* mm – Glas, 15/16" – 23.3\*\* mm – Edelstahl



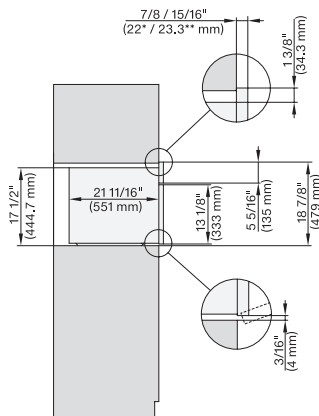
installation 30 inch Flush inset BM30, installation drawing, NA

7/8" – 22\* mm – Glas, 15/16" – 23.3\*\* mm – Edelstahl



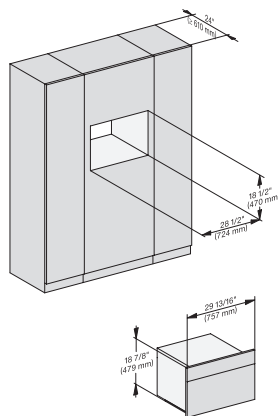
installation 30 inch Flush inset BM30, installation drawing, NA

A – Cut-out (4" x 28" / 100 mm x 720 mm) in the bottom of the cabinet for power cord and ventilation, – Electrical and water supplies are recommended to be placed in adjacent cabinetry., Additional cabinet depth is required when placing the electrical and water supplies behind the appliance., E = Electric connection



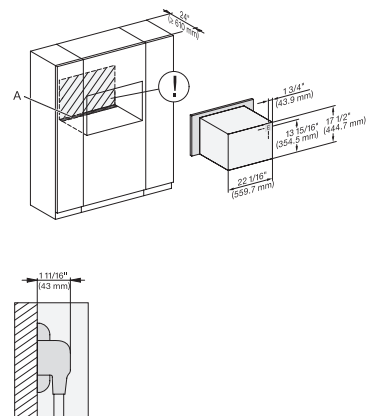
side view 30 inch Proud BM30, installation drawing, NA

7/8" – 22\* mm – Glas, 15/16" – 23.3\*\* mm – Edelstahl



installation 30 inch Proud BM30, installation drawing, NA

7/8" – 22\* mm – Glas, 15/16" – 23.3\*\* mm – Edelstahl



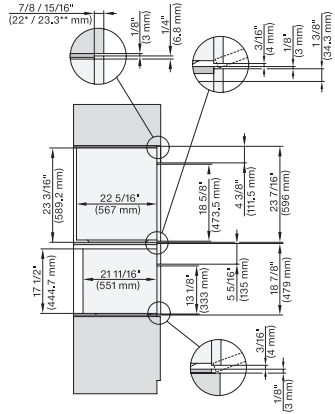
installation 30 inch Proud BM30, installation drawing, NA

A – Cut-out (4" x 28" / 100 mm x 720 mm) in the bottom of the cabinet for power cord and ventilation, – Electrical and water supplies are recommended to be placed in adjacent cabinetry., Additional cabinet depth is required when placing the electrical and water supplies behind the appliance., E = Electric connection

## H 7670 BM

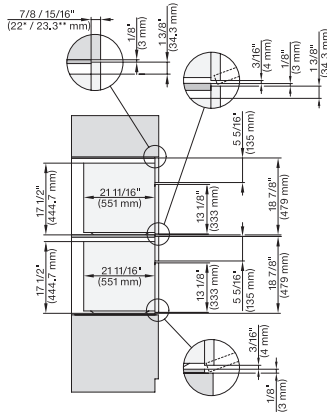
30" compact speed oven

in a perfectly combinable design with automatic programs and roast probe.



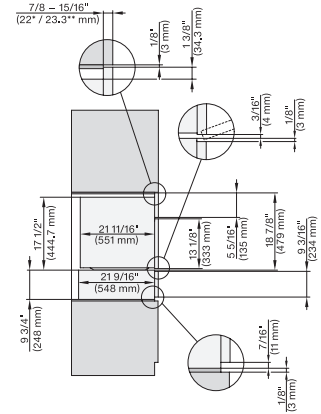
DGC 6x6x (AM) + EBA 6808, H 6x70 BM, DGC786x, EBA7868, H7xxx Combi, Installation drawing, Flush inset, NA

7/8" – 22\* mm – Glas, 15/16" – 23.3\*\* mm – Edelstahl



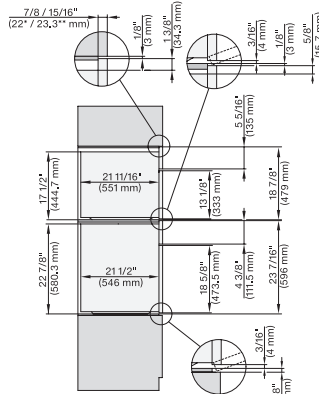
H 6x70 BM, H 7x70, Combi, Installation drawing, Flush inset, NA

7/8" – 22\* mm – Glas, 15/16" – 23.3\*\* mm – Edelstahl



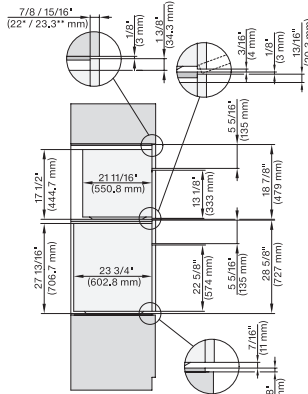
H 6x70 BM, ESW 6x85, H7x70, ESW 7x70, EVS 7670 Combi, Installation drawing, Flush inset, NA

7/8" – 22\* mm – Glas, 15/16" – 23.3\*\* mm – Edelstahl



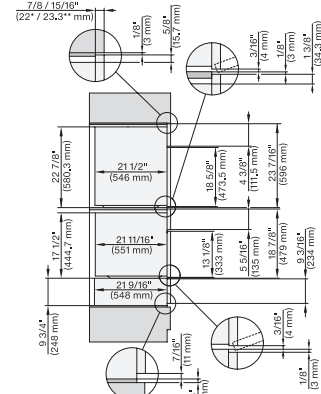
H 6560 B + EBA 6808, H 6x60 BP + EBA 6808, H 6x70 BM, DGC 7xxx, EBA 78x8, H 7xxx Combi, Installation drawing, Flush inset, NA

7/8" – 22\* mm – Glas, 15/16" – 23.3\*\* mm – Edelstahl



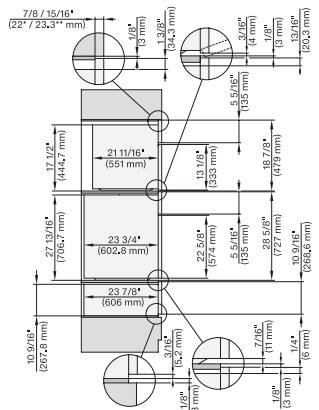
H 6x80 BP, H 6x70 BM, H 6x80-2BP, DGC 7x7x, H 7xxx Combi, Installation drawing, Flush inset, NA

7/8" – 22\* mm – Glas, 15/16" – 23.3\*\* mm – Edelstahl



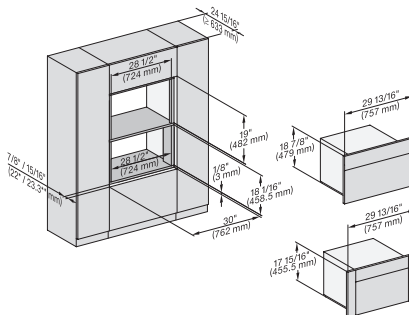
(H 6560, H 6x60) + EBA 6808; H 6x70 BM, ESW 6x85, H7xxx, EBA7868, Exx7x70, Combi, Installation drawing, Flush inset, NA

7/8" – 22\* mm – Glas, 15/16" – 23.3\*\* mm – Edelstahl

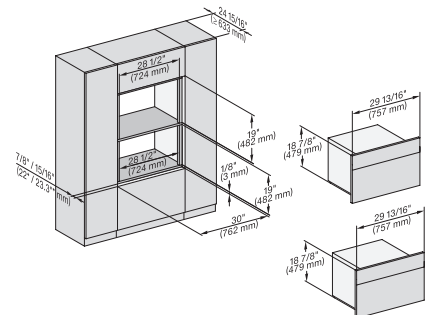


H 6x80 BP, H 6x70 BM, ESW 6x80, H 6x80-2BP, DGC7xxx, H 7xxx, ESW7x80 Combi, Installation drawing, Flush inset, NA

7/8" – 22\* mm – Glas, 15/16" – 23.3\*\* mm – Edelstahl



H 6x70 BM, H 6x00 BM + EBA 6808, DGC 6x00-1, H 7xxx, EBA7848 Fitting Combi, Installation drawing, Flush inset, NA

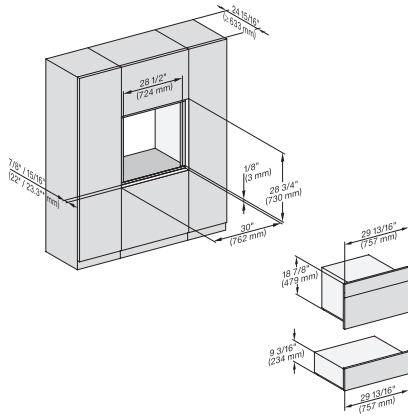


H 6x70 BM, Fitting Combi, H7x70 Installation drawing, Flush inset, NA

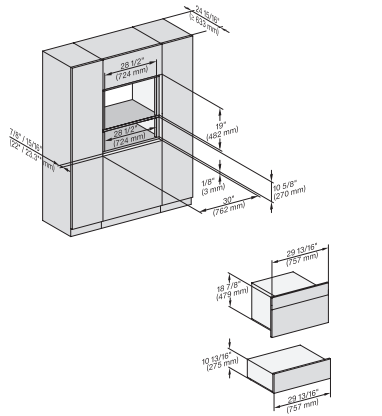
## H 7670 BM

30" compact speed oven

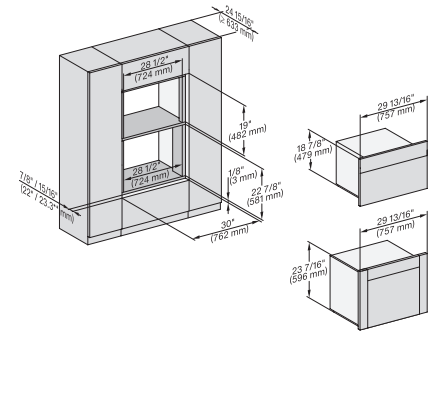
in a perfectly combinable design with automatic programs and roast probe.



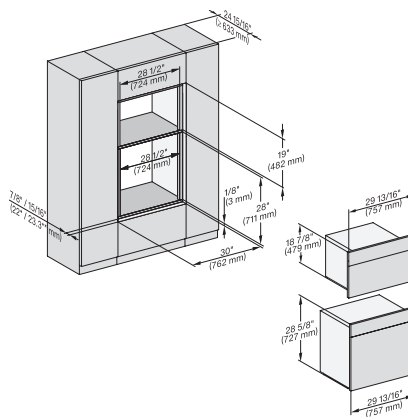
H 6x70 BM, ESW 6x85, DGC7x7x, H7x7x, Exx7x70 Fitting Combi, Installation drawing, Flush inset, NA



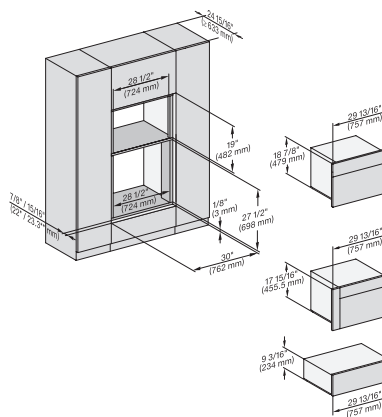
H 6x70 BM, ESW 6x80, DGC7x7x, H7x7x, ESW7x80 Fitting Combi, Installation drawing, Flush inset, NA



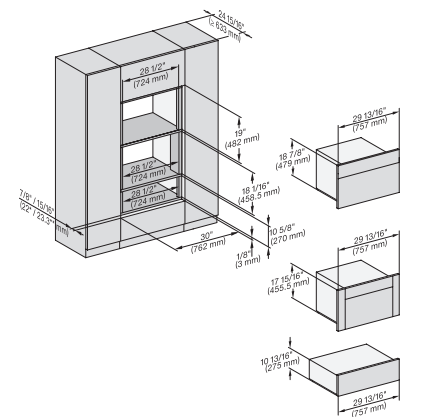
H 656x, H 6x60, DGC686x+EBA 6808, H 6x70, DGC 676x, DGC7x7x. EBA7868, H 7xxx, Fitti Combi, Install drawi, Flush inset, NA



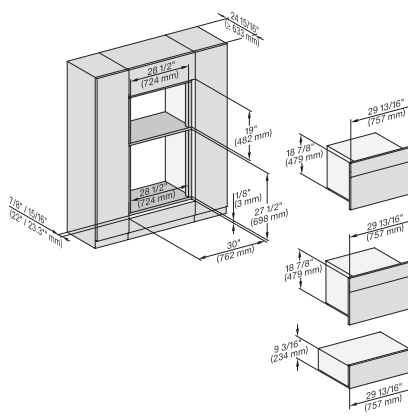
H 6x80 BP, H 6x70 BM, H 6x80-2BP, DGC7x7x, H7xxx Fitting Combi, Installation drawing, Flush inset, NA



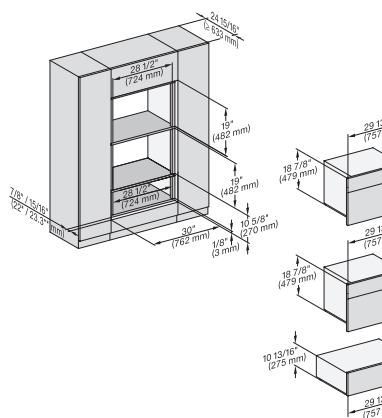
H 6x70, H 6x00+EBA6808, ESW6x85, DGC6x00-1, H7xxx, EBA7848, Exx7x70, Fitting Combi, Install drawing, Flush inset, NA



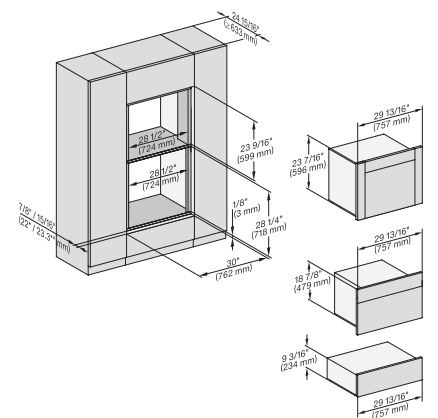
H 6x70, H 6x00+EBA 6808, ESW 6x80, DGC 6x00-1, H7xxx, EBA7848, ESW7x80 Fitting Combi, Install drawing, Flush inset, NA



H 6x70 BM, ESW 6x85, H7x70, ESW 7x70, EVS7670 Fitting Combi, Installation drawing, Flush inset, NA



H 6x70 BM, ESW 6x80, H7x70, ESW 7x80 Fitting Combi, Installation drawing, Flush inset, NA

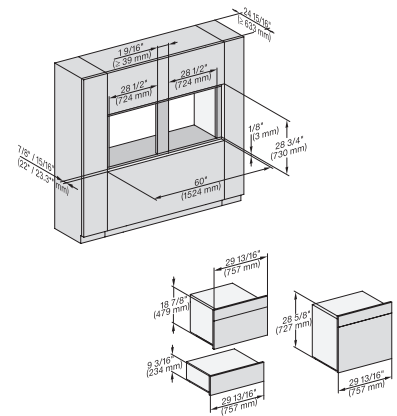
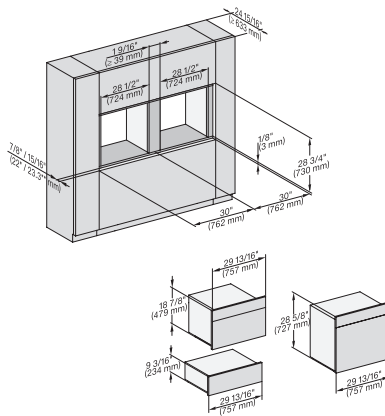
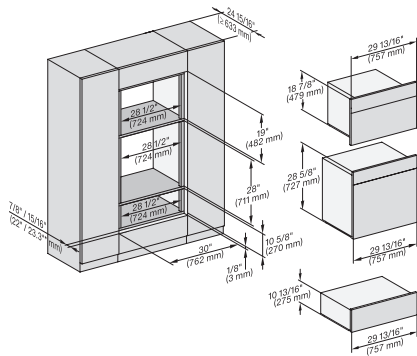


H 6x60 B/BP, DGC 686x AM+EBA 6808; H 6x70BM, ESW6x85, DGC 676x, DGC786x, EBA 7868, H7xxx, Exx 7x70 Install drawing, NA

## H 7670 BM

30" compact speed oven

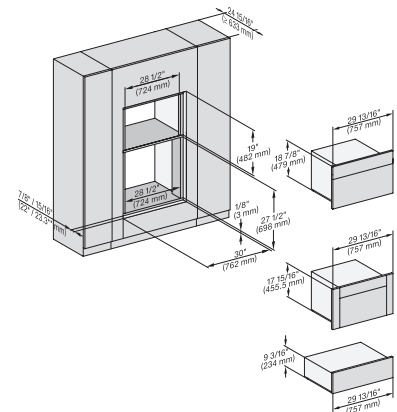
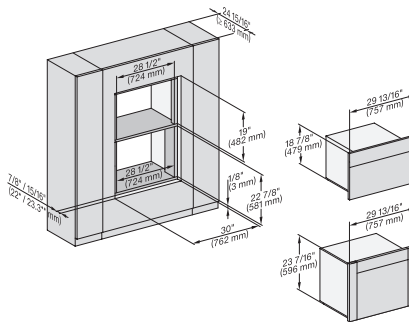
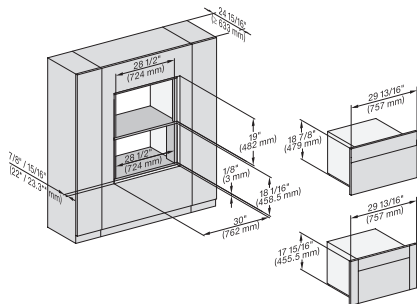
in a perfectly combinable design with automatic programs and roast probe.



H 6x80 BP, H 6x70 BM, ESW 6x85, H 6x80-2BP, DGC7xxx, H7xxxBM/BMX/BP/BPX, H2x80BP, ESW7x80, Installation drawing, NA

H 6x80BP, H 6x70 BM, ESW 6x85, H 6x80-2BP, H7xxx BM/BP/BPX, BMX, ESW7x70, EVS7670, Installation drawing, Flush inset, NA

H 6x80 BP, H 6x70 BM, ESW 6x85, H 6x80-2BP, H 7xxx BP/BM/BPX/BMX, EXX 7x70 Fitting Combi side by side without wall, NA



H 6x70 BM, H 6x00 BM + EBA 6808, DGC 6x00-1 + EBA 6808, H 7xxx BM/BMX, EBA 7848, Installation drawing, Flush inset, NA

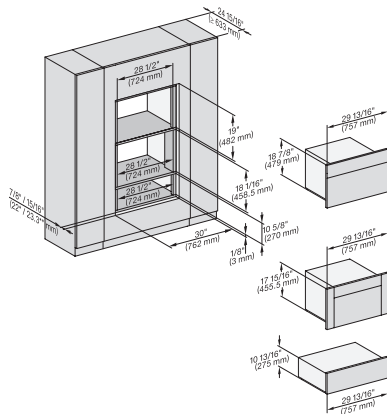
H 6x60 B/BP, DGC 686x AM, EBA 6808; H 6x70 BM, DGC 676x, DGC7xxx, H7xxxBP, EBA7868 Installation drawing, Flush inset, NA

H 6x70 BM, H 6x00 BM, EBA 6808, ESW 6x85, DGC 6x00-1, H7xxx, EBA 7848, ESW 7x70, EVS 7670, Flush inset, NA

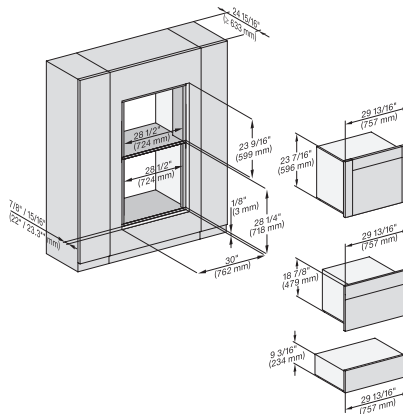
## H 7670 BM

30" compact speed oven

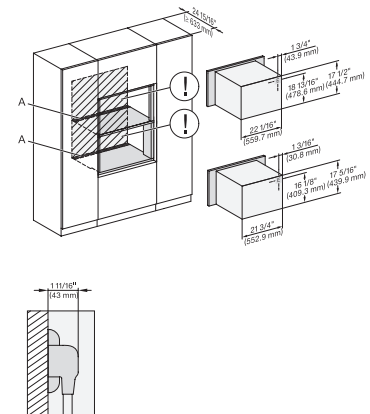
in a perfectly combinable design with automatic programs and roast probe.



H 6x70 BM, H 6x00 BM + EBA 6808, ESW 6x80, DGC 6x00-1, H 7x7x BM/BMX, EBA 7848, ESW 7x80, Flush inset, NA

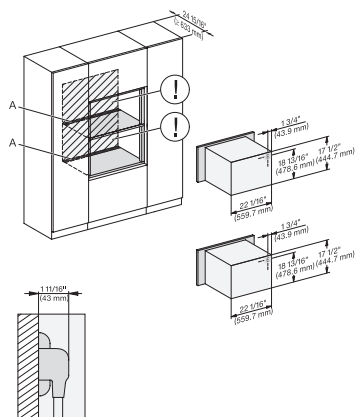


(H6560 B, H6x60 BP, H6x70 BM, DGC686x AM) + EBA6808; ESW6x85, DGC676x, DGC7xxx, EBA7868, H 7x70BM/BMX, ESW, EVS, NA



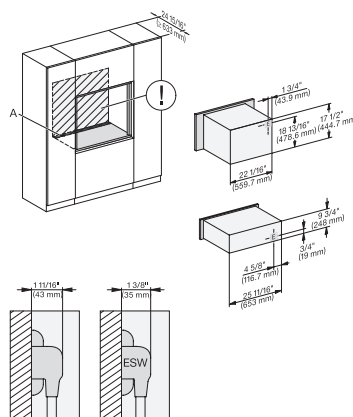
H 6x70 BM, H 6x00 BM + EBA 6808, H7xxx BM/BMX + EBA 7848 Installation Combi, Installation drawing, Flush inset, NA

A – Cut-out (4" x 28" / 100 mm x 720 mm) in the bottom of the cabinet for power cord and ventilation, – Electrical and water supplies are recommended to be placed in adjacent cabinetry, Additional cabinet depth is required when placing the electrical and water supplies behind the appliance, E = Electric connection



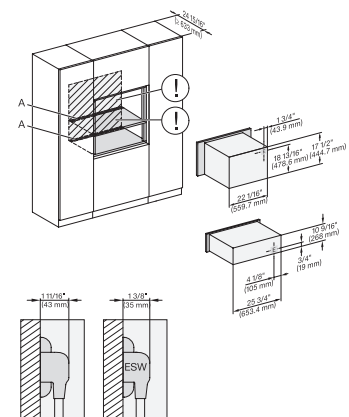
H 6x70 BM, H 7x70 BM/BMX Installation Combi, Installation drawing, Flush inset, NA

A – Cut-out (4" x 28" / 100 mm x 720 mm) in the bottom of the cabinet for power cord and ventilation, – Electrical and water supplies are recommended to be placed in adjacent cabinetry, Additional cabinet depth is required when placing the electrical and water supplies behind the appliance, E = Electric connection



H 6x70 BM, ESW 6x85, H 7x70 BM/BMX, ESW 7x70, EVS 7670 Installation Combi, Installation drawing, Flush inset, NA

A – Cut-out (4" x 28" / 100 mm x 720 mm) in the bottom of the cabinet for power cord and ventilation, – Electrical and water supplies are recommended to be placed in adjacent cabinetry, Additional cabinet depth is required when placing the electrical and water supplies behind the appliance, E = Electric connection



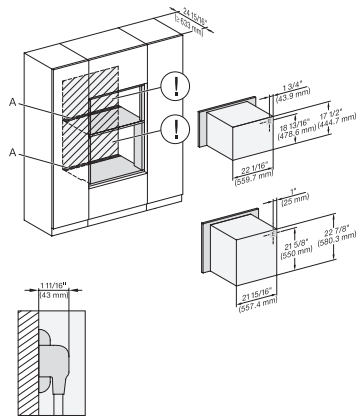
H 6x70 BM, ESW 6x80, H 7x70 BM/BMX, ESW 7x80 Installation Combi, Installation drawing, Flush inset, NA

A – Cut-out (4" x 28" / 100 mm x 720 mm) in the bottom of the cabinet for power cord and ventilation, – Electrical and water supplies are recommended to be placed in adjacent cabinetry, Additional cabinet depth is required when placing the electrical and water supplies behind the appliance, E = Electric connection

## H 7670 BM

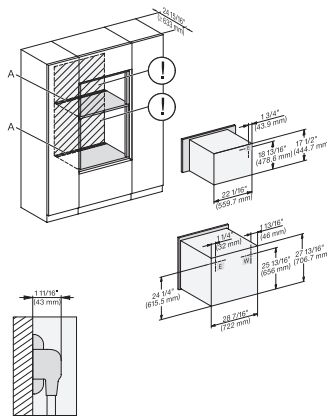
30" compact speed oven

in a perfectly combinable design with automatic programs and roast probe.



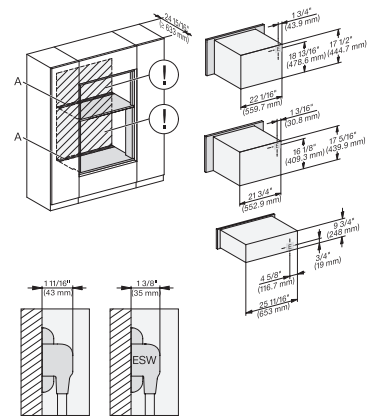
H 6560B, EBA 6808, H 6x60BP, H 6x70BM, H 7xxxBM/BMX/BP, EBA 7868 Installation Combi, Installation drawing, Flush inset, NA

A – Cut-out (4" x 28" / 100 mm x 720 mm) in the bottom of the cabinet for power cord and ventilation, – Electrical and water supplies are recommended to be placed in adjacent cabinetry, Additional cabinet depth is required when placing the electrical and water supplies behind the appliance, E = Electric connection



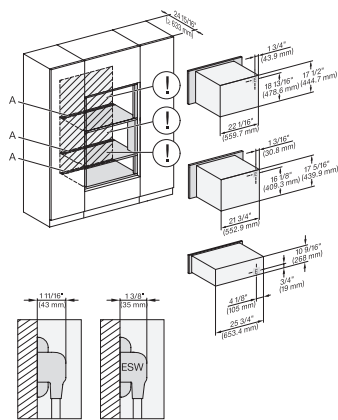
H 6x80 BP, H 6x70 BM, H 6x80-2BP, H 7xxx BM/BMX/BP/BPX, H 2x90BP Installation drawing, Flush inset, NA

A – Cut-out (4" x 28" / 100 mm x 720 mm) in the bottom of the cabinet for power cord and ventilation, – Electrical and water supplies are recommended to be placed in adjacent cabinetry, Additional cabinet depth is required when placing the electrical and water supplies behind the appliance, E = Electric connection



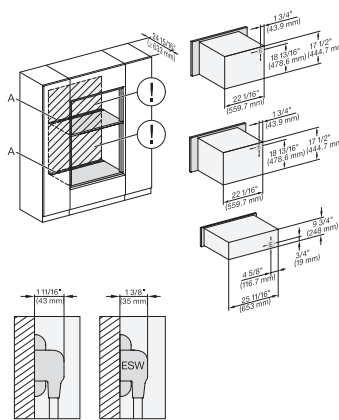
H 6x70 BM, H 6x00 BM + EBA 6808, ESW 6x85, H7xxxBM/BMX, EBA 7848, ESW7x70, EVS7670 Installation drawing, Flush inset, NA

A – Cut-out (4" x 28" / 100 mm x 720 mm) in the bottom of the cabinet for power cord and ventilation, – Electrical and water supplies are recommended to be placed in adjacent cabinetry, Additional cabinet depth is required when placing the electrical and water supplies behind the appliance, E = Electric connection



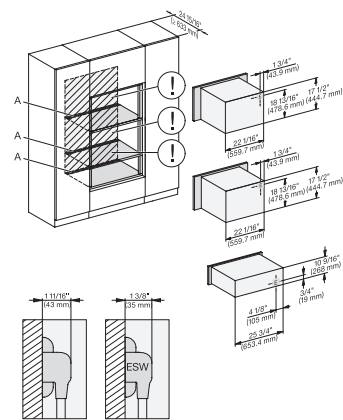
H 6x70 BM, H 6x00 BM + EBA 6808, ESW 6x80, H 7xxxBM/BMX, EBA 7848, ESW 7x80, Installation drawing, Flush inset, NA

A – Cut-out (4" x 28" / 100 mm x 720 mm) in the bottom of the cabinet for power cord and ventilation, – Electrical and water supplies are recommended to be placed in adjacent cabinetry, Additional cabinet depth is required when placing the electrical and water supplies behind the appliance, E = Electric connection



H 6x70 BM, ESW 6x85, H7x70 BM/BMX, ESW 7x70, EVS 7670 Installation Combi, Installation drawing, Flush inset, NA

A – Cut-out (4" x 28" / 100 mm x 720 mm) in the bottom of the cabinet for power cord and ventilation, – Electrical and water supplies are recommended to be placed in adjacent cabinetry, Additional cabinet depth is required when placing the electrical and water supplies behind the appliance, E = Electric connection



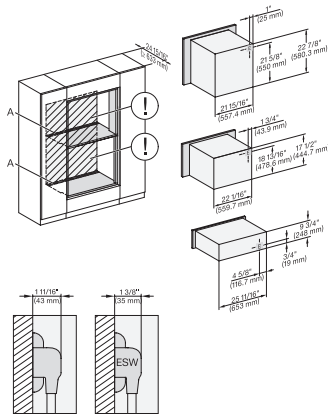
H 6x70 BM, ESW 6x80, H 7x70BM/BMX, ESW 7x80 Installation Combi, Installation drawing, Flush inset, NA

A – Cut-out (4" x 28" / 100 mm x 720 mm) in the bottom of the cabinet for power cord and ventilation, – Electrical and water supplies are recommended to be placed in adjacent cabinetry, Additional cabinet depth is required when placing the electrical and water supplies behind the appliance, E = Electric connection

## H 7670 BM

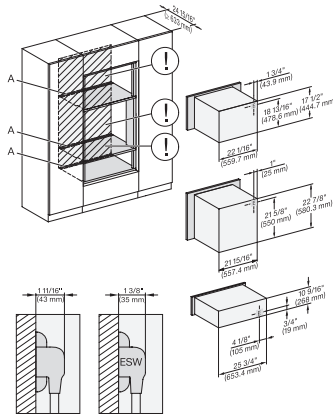
30" compact speed oven

in a perfectly combinable design with automatic programs and roast probe.



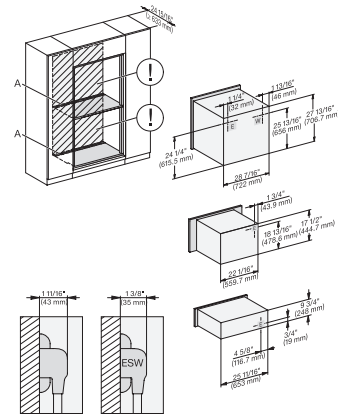
H 6x60 B/BP, EBA 6808, H 6x70 BM, ESW 6x85, H7xxxBP/BM/BMX, ESW7x70, EVS7670 Installation drawing, Flush inset, NA

A – Cut-out (4" x 28" / 100 mm x 720 mm) in the bottom of the cabinet for power cord and ventilation, – Electrical and water supplies are recommended to be placed in adjacent cabinetry, Additional cabinet depth is required when placing the electrical and water supplies behind the appliance, E = Electric connection



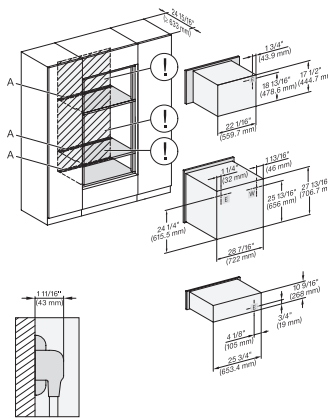
H 6x60 B/BP + EBA 6808, H 6x70 BM, ESW 6x80, H 7xxxBP/BM/BMX, EBA 7868, ESW 7x80 Installation drawing, Flush inset, NA

A – Cut-out (4" x 28" / 100 mm x 720 mm) in the bottom of the cabinet for power cord and ventilation, – Electrical and water supplies are recommended to be placed in adjacent cabinetry, Additional cabinet depth is required when placing the electrical and water supplies behind the appliance, E = Electric connection



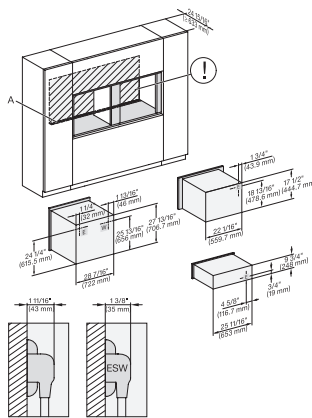
H 6x80 BP, H 6x70 BM, ESW 6x85, H 6x80-2BP, H2880BP, H7xxxBP/BPX/BM/BMX, Exx7670, Installation drawing, Flush inset, NA

A – Cut-out (4" x 28" / 100 mm x 720 mm) in the bottom of the cabinet for power cord and ventilation, – Electrical and water supplies are recommended to be placed in adjacent cabinetry, Additional cabinet depth is required when placing the electrical and water supplies behind the appliance, E = Electric connection



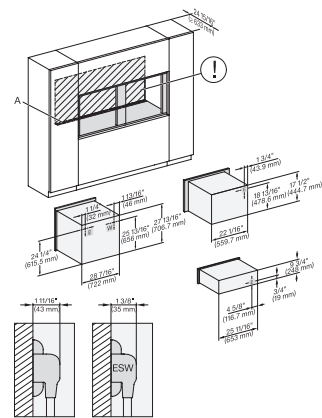
H 6x80BP, H 6x70 BM, ESW 6x80, H 6x80-2BP, H 2880BP, H 7xxxBP/BPX/BM/BMX, ESW 7x80 Installation drawing, Flush inset, NA

A – Cut-out (4" x 28" / 100 mm x 720 mm) in the bottom of the cabinet for power cord and ventilation, – Electrical and water supplies are recommended to be placed in adjacent cabinetry, Additional cabinet depth is required when placing the electrical and water supplies behind the appliance, E = Electric connection



H 6x80BP, H 6x70BM, ESW 6x85, H 6x80-2BP, H2x80BP, H 7x80BP/BPX, ESW 7x70, EVS7670, Install. drawing, Flush inset, NA

A – Cut-out (4" x 28" / 100 mm x 720 mm) in the bottom of the cabinet for power cord and ventilation, – Electrical and water supplies are recommended to be placed in adjacent cabinetry, Additional cabinet depth is required when placing the electrical and water supplies behind the appliance, E = Electric connection



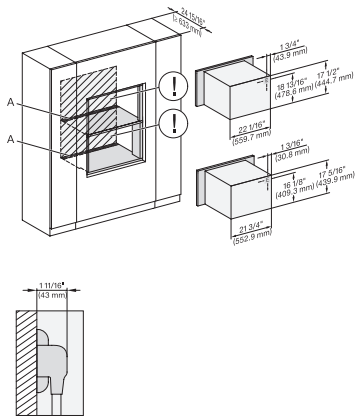
H 6x80 BP, H 6x70 BM, ESW 6x85, H 6x80-2BP, H 2x80BP, H 7x80BP/BPX, ESW 7x70, EVS 7670, drawing, Flush inset, NA

A – Cut-out (4" x 28" / 100 mm x 720 mm) in the bottom of the cabinet for power cord and ventilation, – Electrical and water supplies are recommended to be placed in adjacent cabinetry, Additional cabinet depth is required when placing the electrical and water supplies behind the appliance, E = Electric connection

## H 7670 BM

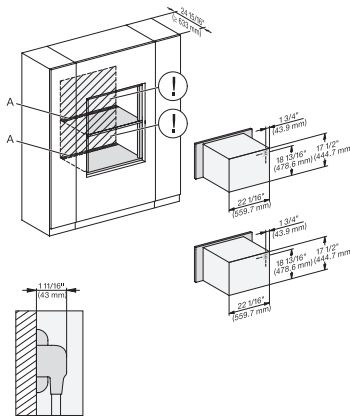
30" compact speed oven

in a perfectly combinable design with automatic programs and roast probe.



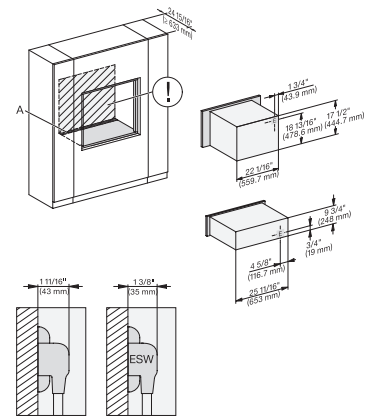
H 6x70 BM, H 6x00 BM + EBA 6808, H7xxBM/BMX, EBA 7848, Installation drawing, Flush inset, NA

A – Cut-out (4" x 28" / 100 mm x 720 mm) in the bottom of the cabinet for power cord and ventilation, – Electrical and water supplies are recommended to be placed in adjacent cabinetry, Additional cabinet depth is required when placing the electrical and water supplies behind the appliance., E = Electric connection



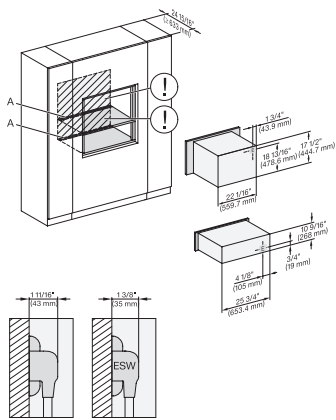
H 6x70 BM, H 7x70BM/BMX Installation Combi wide front, Installation drawing, Flush inset, NA

A – Cut-out (4" x 28" / 100 mm x 720 mm) in the bottom of the cabinet for power cord and ventilation, – Electrical and water supplies are recommended to be placed in adjacent cabinetry, Additional cabinet depth is required when placing the electrical and water supplies behind the appliance., E = Electric connection



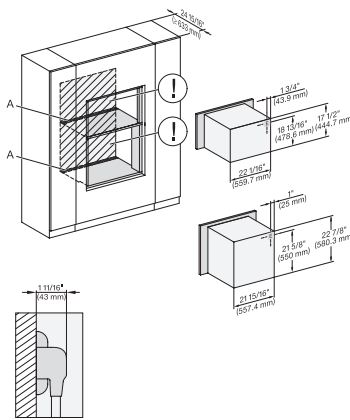
H 6x70 BM, ESW 6x85, H 7x70BM/BMX, ESW 7x70, EVS 7670, Installation drawing, Flush inset, NA

A – Cut-out (4" x 28" / 100 mm x 720 mm) in the bottom of the cabinet for power cord and ventilation, – Electrical and water supplies are recommended to be placed in adjacent cabinetry, Additional cabinet depth is required when placing the electrical and water supplies behind the appliance., E = Electric connection



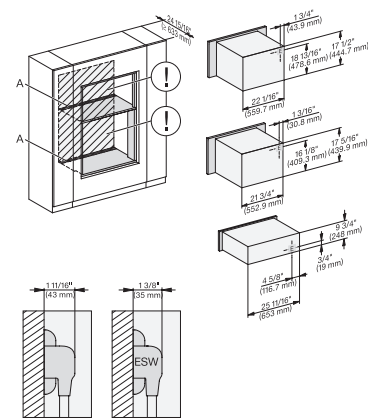
H 6x70 BM, ESW 6x80, H 7x70BM/BMX, ESW 7x80, Installation Combi wide front, Installation drawing, Flush inset, NA

A – Cut-out (4" x 28" / 100 mm x 720 mm) in the bottom of the cabinet for power cord and ventilation, – Electrical and water supplies are recommended to be placed in adjacent cabinetry, Additional cabinet depth is required when placing the electrical and water supplies behind the appliance., E = Electric connection



H 6560 B + EBA 6808, H 6x60 BP, H 6x70 BM, H 7xxxBM/BP/BMX, EBA 7868 Installation drawing, Flush inset, NA

A – Cut-out (4" x 28" / 100 mm x 720 mm) in the bottom of the cabinet for power cord and ventilation, – Electrical and water supplies are recommended to be placed in adjacent cabinetry, Additional cabinet depth is required when placing the electrical and water supplies behind the appliance., E = Electric connection



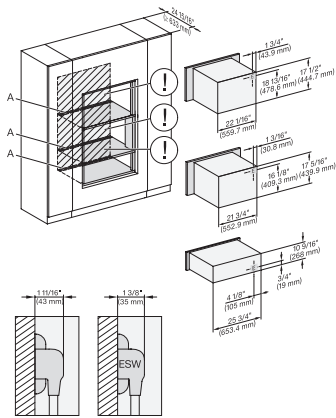
H 6x70BM, H 6x00BM, EBA 6808, ESW 6x85, H 7xxx BM/BMX, EBA 7848, ESW 7x70, EVS 7670 Installation drawing, Flush inset, NA

A – Cut-out (4" x 28" / 100 mm x 720 mm) in the bottom of the cabinet for power cord and ventilation, – Electrical and water supplies are recommended to be placed in adjacent cabinetry, Additional cabinet depth is required when placing the electrical and water supplies behind the appliance., E = Electric connection

## H 7670 BM

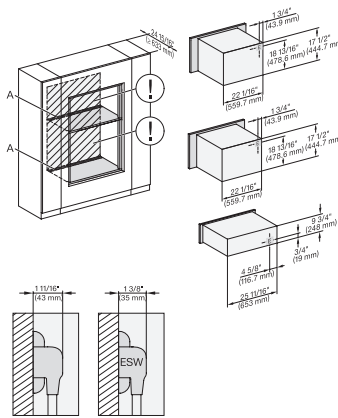
30" compact speed oven

in a perfectly combinable design with automatic programs and roast probe.



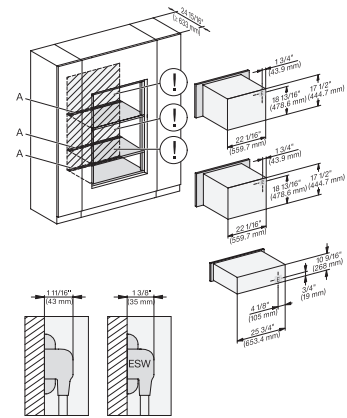
H 6x70 BM, H 6x00 BM + EBA 6808, ESW 6x80, H 7xxx BM/BMX, EBA 7848, ESW 7x80, Installation drawing, Flush inset, NA

A – Cut-out (4" x 28" / 100 mm x 720 mm) in the bottom of the cabinet for power cord and ventilation, – Electrical and water supplies are recommended to be placed in adjacent cabinetry, Additional cabinet depth is required when placing the electrical and water supplies behind the appliance, E = Electric connection



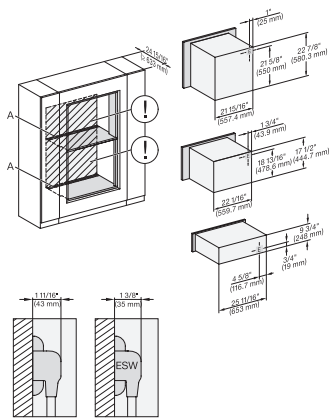
H 6x70 BM, ESW 6x85, H 7x70 BM/BMX, ESW 7x70, EVS 7670, Installation drawing, Flush inset, NA

A – Cut-out (4" x 28" / 100 mm x 720 mm) in the bottom of the cabinet for power cord and ventilation, – Electrical and water supplies are recommended to be placed in adjacent cabinetry, Additional cabinet depth is required when placing the electrical and water supplies behind the appliance, E = Electric connection



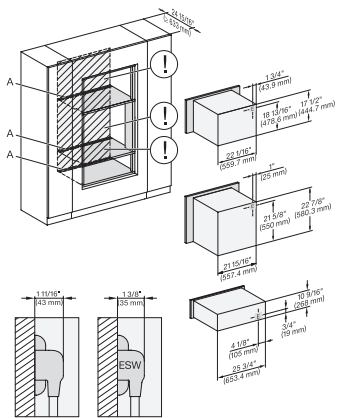
H 6x70 BM, ESW 6x80, H 7x70 BM/BMX, ESW 7x80, Installation drawing, Flush inset, NA

A – Cut-out (4" x 28" / 100 mm x 720 mm) in the bottom of the cabinet for power cord and ventilation, – Electrical and water supplies are recommended to be placed in adjacent cabinetry, Additional cabinet depth is required when placing the electrical and water supplies behind the appliance, E = Electric connection



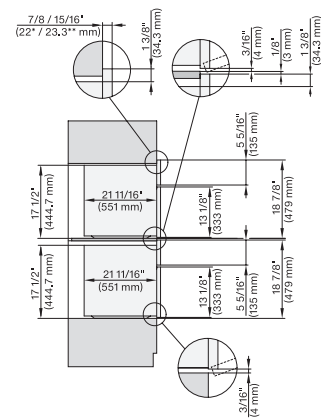
H 6560 B + EBA 6808, H 6x60 BP + EBA 6808, H 6x70 BM, ESW 6x85, H 7xxx BP/BM/BMX, EBA 7868, Exx 7x70, Flush inset, NA

A – Cut-out (4" x 28" / 100 mm x 720 mm) in the bottom of the cabinet for power cord and ventilation, – Electrical and water supplies are recommended to be placed in adjacent cabinetry, Additional cabinet depth is required when placing the electrical and water supplies behind the appliance, E = Electric connection



H 6560 B + EBA 6808, H 6x60 BP + EBA 6808, H 6x70 BM, ESW 6x80, H 7xxx BP/BM/BMX, EBA 7868, ESW 7x80, Flush inset, NA

A – Cut-out (4" x 28" / 100 mm x 720 mm) in the bottom of the cabinet for power cord and ventilation, – Electrical and water supplies are recommended to be placed in adjacent cabinetry, Additional cabinet depth is required when placing the electrical and water supplies behind the appliance, E = Electric connection



H 6x70 BM, H7x70BM(X), Combi, Installation drawing, Proud, NA

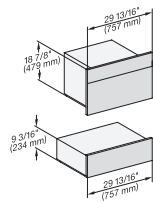
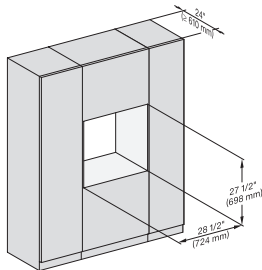
7/8" – 22\* mm – Glas, 15/16" – 23.3\*\* mm – Edelstahl



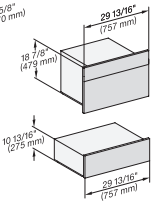
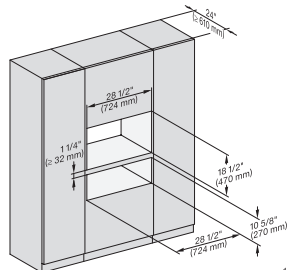
## H 7670 BM

30" compact speed oven

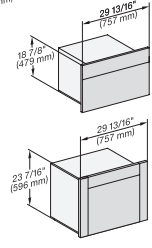
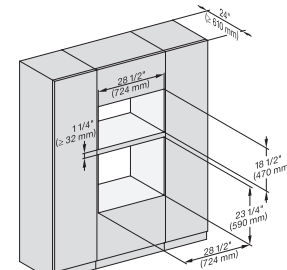
in a perfectly combinable design with automatic programs and roast probe.



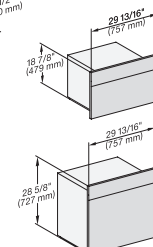
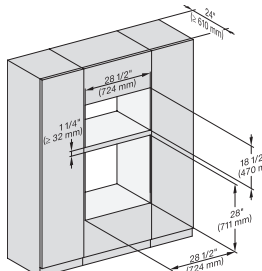
H6x70BM, ESW6x85, DGC7x7x, H7x70BMX, ESW7x70, EVS7x70, Fitting Combi, Installation drawing, Proud, NA



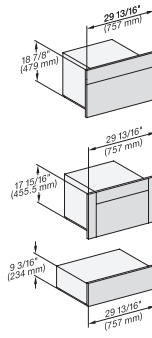
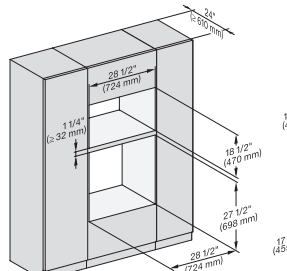
H 6x70 BM, ESW 6x80, DGC7x70X, H7x70BM, ESW7x80, Fitting Combi, Installation drawing, Proud, NA



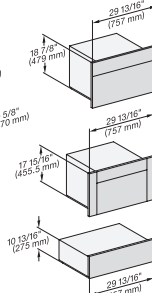
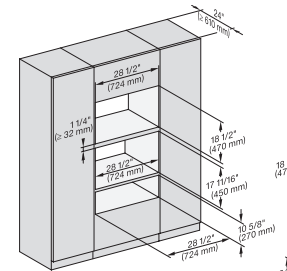
(H6560B,H6x60BP,DGC686xAM)+EBA6808,H6x70 BM,DGC676x,DGC7x70,H7x6xBP+EBA7868, Fitting Combi, Installation, Proud, NA



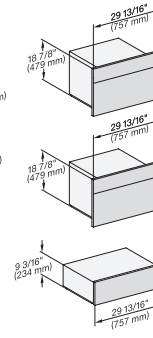
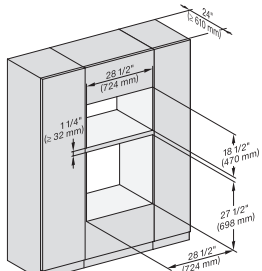
H6x80BP, H6x70BM, H6x80-2BP, DGC7x7x, H7x70BM, H2x80BP, H7x80BP(X), Fitting Combi, Installation drawing, Proud, NA



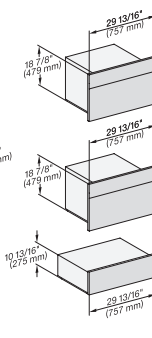
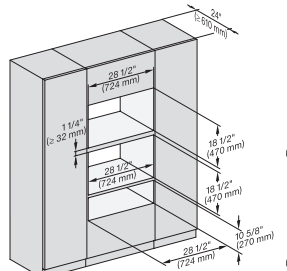
H6x70BM, (H6x00BM, DGC6x00-1)+EBA6808, ESW6x85, H7x70BM, H7x40BM+EBA7848, ESW7x70, Fitting Combi, Installation, Proud



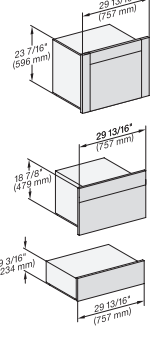
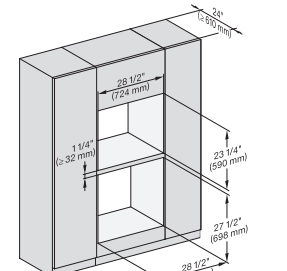
H6x70BM, (H6x00BM, DGC6x00-1)+EBA 6808, ESW6x80, H7x70BM, H7x40BM+EBA7848, ESW7x80, Fitting Combi, Installation, Proud,



H6x70BM, ESW6x85, H7x70BM, ESW7x70, EVS7670, Fitting Combi, Installation drawing, Proud, NA



H 6x70 BM, ESW 6x80, H7x70BM, ESW7x80, Fitting Combi, Installation drawing, Proud, NA

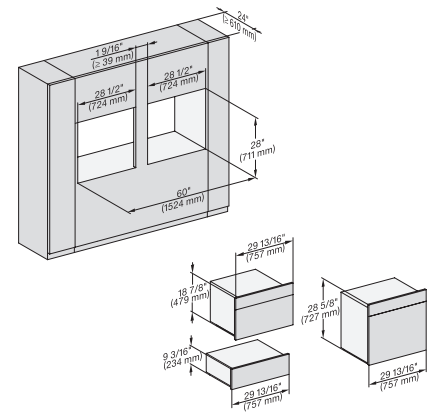
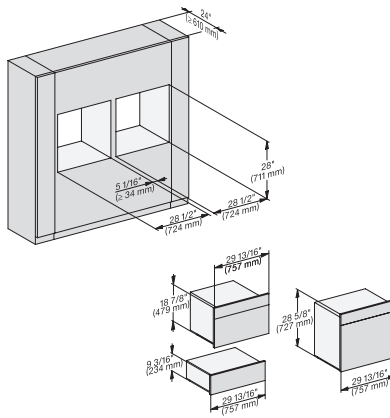
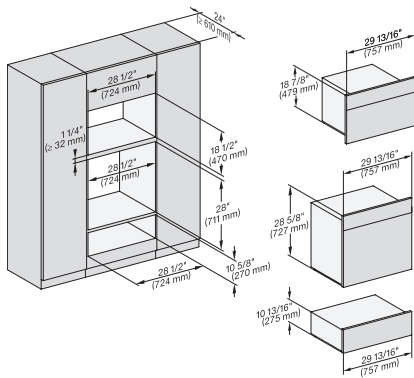


(H 6560 B, H 6x60 BP, DGC 686x AM) + EBA 6808; H 6x70 BM, ESW 6x85, NA7000, Fitting Combi, Installation drawing, Proud

## H 7670 BM

30" compact speed oven

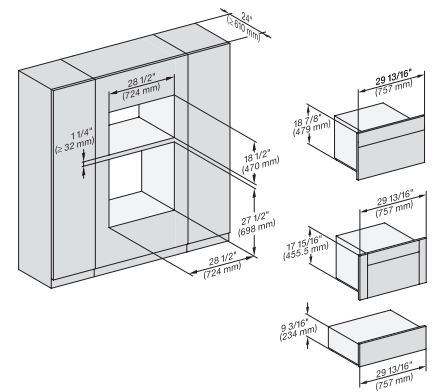
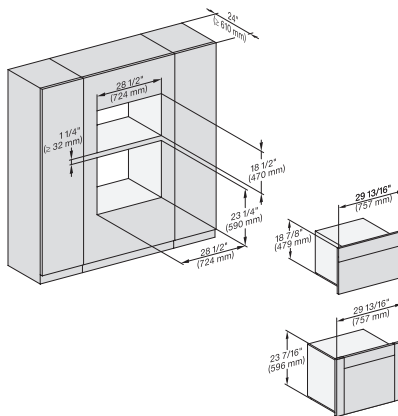
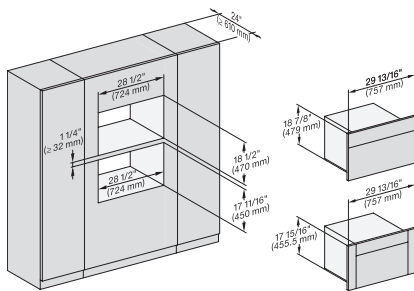
in a perfectly combinable design with automatic programs and roast probe.



H 6x80 BP, H 6x70 BM, ESW 6x80, H 6x80-2BP, NA7000 Fitting Combi, Installation drawing, Proud, NA  
<https://miele-mms.de.miele.net/mms/admin/forward.php#>

H 6x80 BP, H 6x70 BM, ESW 6x85, H 6x80-2BP, NA7000, Fitting Combi side by side, Installation drawing, Proud, NA

H6x80BP, H6x70BM, ESW6x85, H6x80-2BP, NA7000, Fitting Combi side by side without wall, Installation drawing, Proud, NA



H6x70BM, (H6x00BM, DGC6x00-1) + EBA6808, H7xxxBM(+EBA7848), Fitting Combi wide front, Installation drawing, Proud, NA

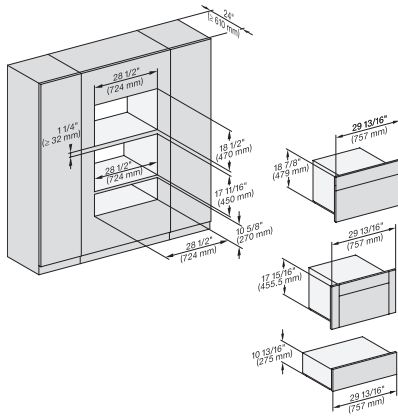
(H6560B, H6x60BP, DGC686xAM) + EBA6808; H6x70BM, DGC676x, NA7000, Fitting Combi wide front, Installation drawing, Proud

H6x70BM, H6x00BM + EBA6808, ESW6x85, DGC6x00-1 + EBA6808, NA7000 Fitting Combi wide front, Installation drawing, Proud

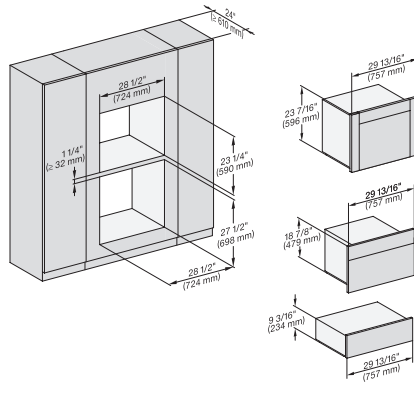
## H 7670 BM

30" compact speed oven

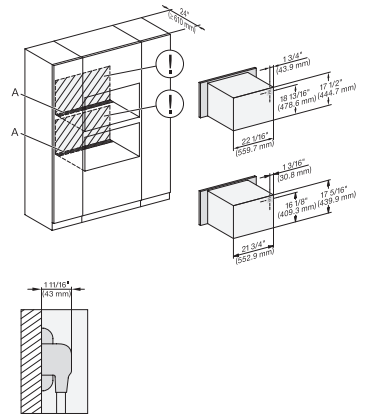
in a perfectly combinable design with automatic programs and roast probe.



H6x70BM, H6x00BM + EBA6808, ESW6x80, DGC6x00-1 + EBA6808, NA7000 Fitting Combi wide front, Installation drawing, Proud

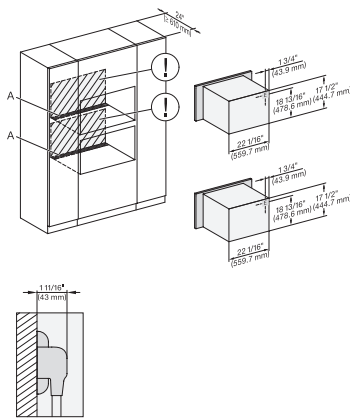


(H6560 B, H6x60 BP, H6x70 BM, DGC686x AM) + EBA6808; ESW6x85, DGC676x, NA7000, Fitting Combi w. front, drawing, Proud



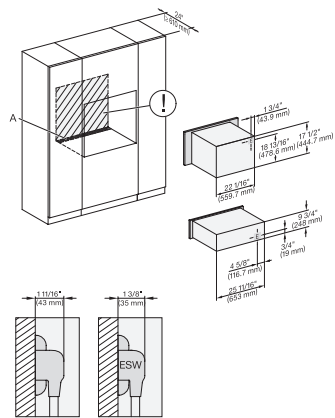
H 6x70 BM, H 6x00 BM + EBA 6808, H7x40BM(+EBA7848), Installation Combi, Installation drawing, Proud, NA

A – Cut-out (4" x 28" / 100 mm x 720 mm) in the bottom of the cabinet for power cord and ventilation, – Electrical and water supplies are recommended to be placed in adjacent cabinetry., Additional cabinet depth is required when placing the electrical and water supplies behind the appliance., E = Electric connection



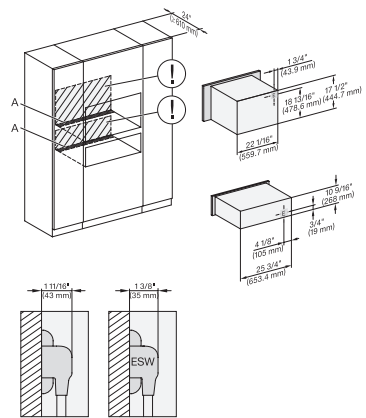
H 6x70 BM, H7x70BM(X), Installation Combi, Installation drawing, Proud, NA

A – Cut-out (4" x 28" / 100 mm x 720 mm) in the bottom of the cabinet for power cord and ventilation, – Electrical and water supplies are recommended to be placed in adjacent cabinetry., Additional cabinet depth is required when placing the electrical and water supplies behind the appliance., E = Electric connection



H 6x70 BM, ESW 6x85, H7x70BM(X), ESW7x70, EVS7670, Installation Combi, Installation drawing, Proud, NA

A – Cut-out (4" x 28" / 100 mm x 720 mm) in the bottom of the cabinet for power cord and ventilation, – Electrical and water supplies are recommended to be placed in adjacent cabinetry., Additional cabinet depth is required when placing the electrical and water supplies behind the appliance., E = Electric connection



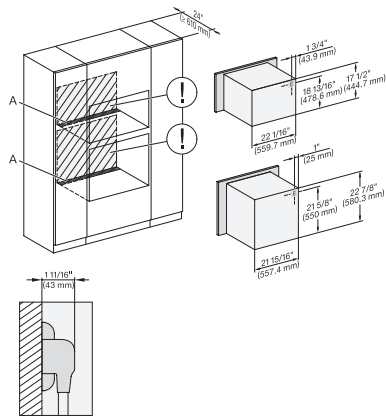
H 6x70 BM, ESW 6x80, H7x70BM(X), ESW7x80, Installation Combi, Installation drawing, Proud, NA

A – Cut-out (4" x 28" / 100 mm x 720 mm) in the bottom of the cabinet for power cord and ventilation, – Electrical and water supplies are recommended to be placed in adjacent cabinetry., Additional cabinet depth is required when placing the electrical and water supplies behind the appliance., E = Electric connection

## H 7670 BM

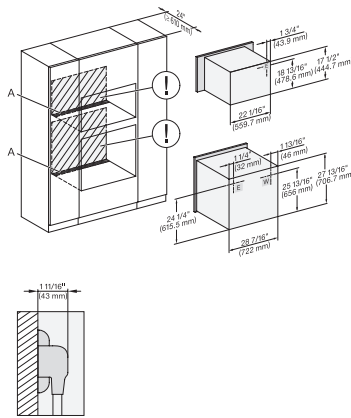
30" compact speed oven

in a perfectly combinable design with automatic programs and roast probe.



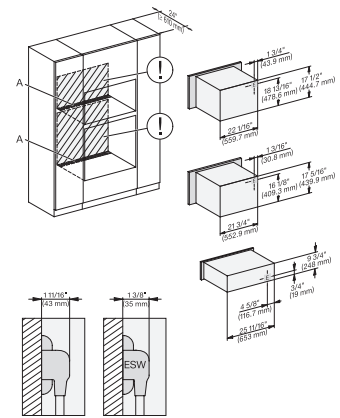
H6560B + EBA6808, H6x60BP + EBA6808, H6x70BM, H7x70BM, H7x6xBP+EBA786B, Installation Combi, Installation drawing, Proud,

A – Cut-out (4" x 28" / 100 mm x 720 mm) in the bottom of the cabinet for power cord and ventilation, – Electrical and water supplies are recommended to be placed in adjacent cabinetry, Additional cabinet depth is required when placing the electrical and water supplies behind the appliance, E = Electric connection



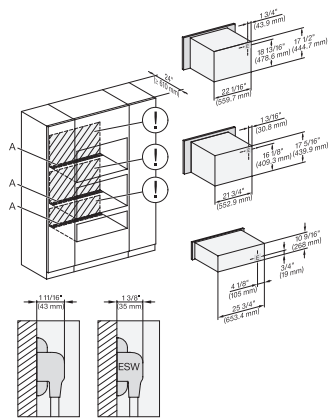
H 6x80 BP, H 6x70 BM, H 6x80-2BP, Hx70BM, H2x80BP(X), H7x80BP(X), Installation Combi, Installation drawing, Proud, NA

A – Cut-out (4" x 28" / 100 mm x 720 mm) in the bottom of the cabinet for power cord and ventilation, – Electrical and water supplies are recommended to be placed in adjacent cabinetry, Additional cabinet depth is required when placing the electrical and water supplies behind the appliance, E = Electric connection



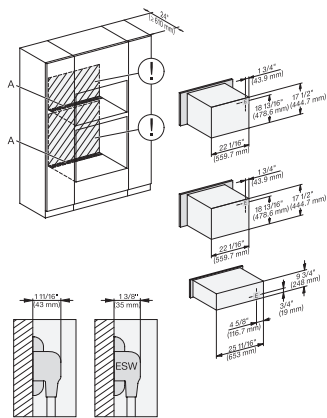
H6xx0BM+EBA6808, ESW6x85, H7xx0BM(+EBA7848), ESW7x70, EVS7x70, Installation Combi, Installation drawing, Proud, NA

A – Cut-out (4" x 28" / 100 mm x 720 mm) in the bottom of the cabinet for power cord and ventilation, – Electrical and water supplies are recommended to be placed in adjacent cabinetry, Additional cabinet depth is required when placing the electrical and water supplies behind the appliance, E = Electric connection



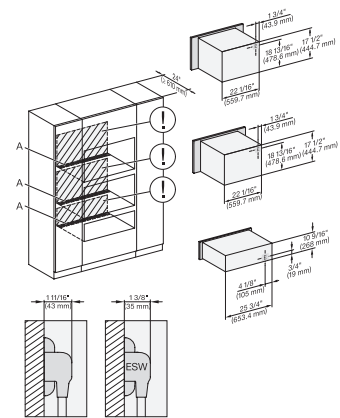
H 6x70 BM, H 6x00 BM + EBA 6808, ESW 6x80, H7xx0BM(+EBA7848) ESW7x80 Installation Combi, Installation drawing, Proud, NA

A – Cut-out (4" x 28" / 100 mm x 720 mm) in the bottom of the cabinet for power cord and ventilation, – Electrical and water supplies are recommended to be placed in adjacent cabinetry, Additional cabinet depth is required when placing the electrical and water supplies behind the appliance, E = Electric connection



H 6x70 BM, ESW 6x85, H7x70BM, ESW7x70, EVS7670, Installation Combi, Installation drawing, Proud, NA

A – Cut-out (4" x 28" / 100 mm x 720 mm) in the bottom of the cabinet for power cord and ventilation, – Electrical and water supplies are recommended to be placed in adjacent cabinetry, Additional cabinet depth is required when placing the electrical and water supplies behind the appliance, E = Electric connection



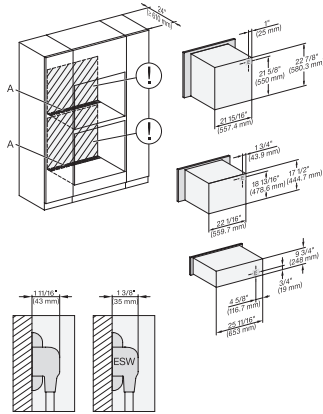
H 6x70 BM, ESW 6x80, H7x70BM, ESW7x80, Installation Combi, Installation drawing, Proud, NA

A – Cut-out (4" x 28" / 100 mm x 720 mm) in the bottom of the cabinet for power cord and ventilation, – Electrical and water supplies are recommended to be placed in adjacent cabinetry, Additional cabinet depth is required when placing the electrical and water supplies behind the appliance, E = Electric connection

## H 7670 BM

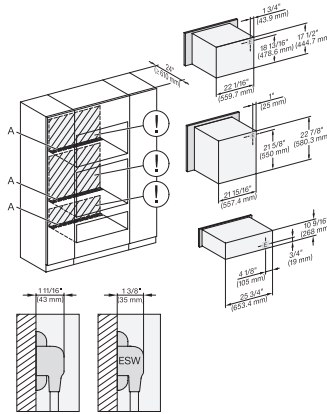
30" compact speed oven

in a perfectly combinable design with automatic programs and roast probe.



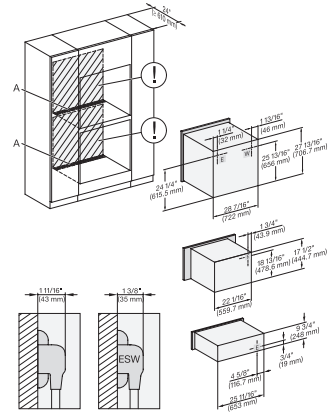
H 6560 B + EBA 6808, H 6x60 BP + EBA 6808, H 6x70BM, ESW6x85, NA7000 Installation Combi, Installation drawing, Proud, NA

A – Cut-out (4" x 28" / 100 mm x 720 mm) in the bottom of the cabinet for power cord and ventilation, – Electrical and water supplies are recommended to be placed in adjacent cabinetry, Additional cabinet depth is required when placing the electrical and water supplies behind the appliance, E = Electric connection



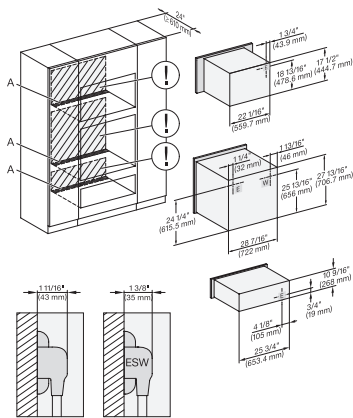
H 6560 B + EBA 6808, H 6x60 BP + EBA 6808, H6x70BM, ESW6x80, NA7000, Installation Combi, Installation drawing, Proud, NA

A – Cut-out (4" x 28" / 100 mm x 720 mm) in the bottom of the cabinet for power cord and ventilation, – Electrical and water supplies are recommended to be placed in adjacent cabinetry, Additional cabinet depth is required when placing the electrical and water supplies behind the appliance, E = Electric connection



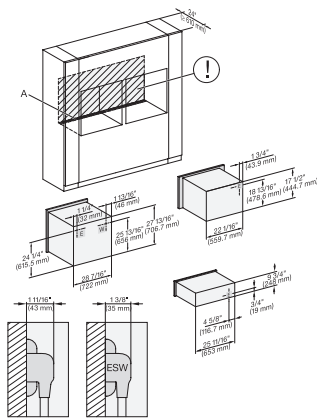
H 6x80 BP, H 6x70 BM, ESW 6x85, H 6x80-2BP, NA7000 Installation Combi, Installation drawing, Proud, NA

A – Cut-out (4" x 28" / 100 mm x 720 mm) in the bottom of the cabinet for power cord and ventilation, – Electrical and water supplies are recommended to be placed in adjacent cabinetry, Additional cabinet depth is required when placing the electrical and water supplies behind the appliance, E = Electric connection



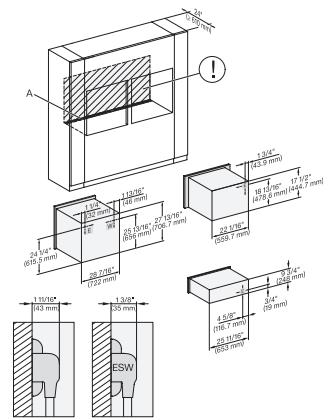
H 6x80 BP, H 6x70 BM, ESW 6x80, H 6x80-2BP, NA7000, Installation Combi, Installation drawing, Proud, NA

A – Cut-out (4" x 28" / 100 mm x 720 mm) in the bottom of the cabinet for power cord and ventilation, – Electrical and water supplies are recommended to be placed in adjacent cabinetry, Additional cabinet depth is required when placing the electrical and water supplies behind the appliance, E = Electric connection



H6x80(-2)BP, H6x70BM, ESW6x85, H2x80BP, H7x80BP, ESW7x70, EVS7670, Installation Combi side by side, Installation drawing

A – Cut-out (4" x 28" / 100 mm x 720 mm) in the bottom of the cabinet for power cord and ventilation, – Electrical and water supplies are recommended to be placed in adjacent cabinetry, Additional cabinet depth is required when placing the electrical and water supplies behind the appliance, E = Electric connection



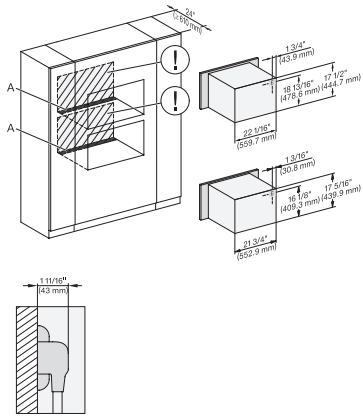
H 6x80 BP, H 6x70 BM, ESW 6x85, H 6x80-2BP, NA7000, Installation Combi side by side without wall, drawing, Proud, NA

A – Cut-out (4" x 28" / 100 mm x 720 mm) in the bottom of the cabinet for power cord and ventilation, – Electrical and water supplies are recommended to be placed in adjacent cabinetry, Additional cabinet depth is required when placing the electrical and water supplies behind the appliance, E = Electric connection

## H 7670 BM

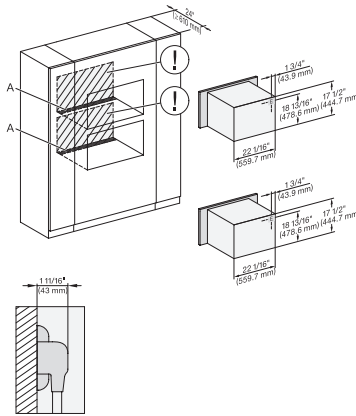
30" compact speed oven

in a perfectly combinable design with automatic programs and roast probe.



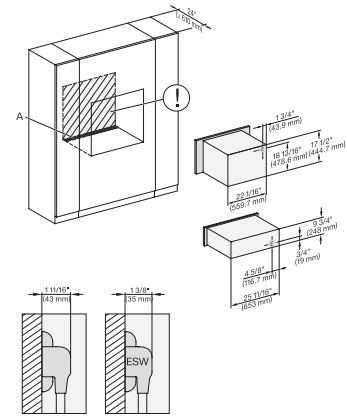
H6x70BM, H6x00BM + EBA 6808, H7x40BM+EBA7848, H7x70BM(X), Installation Combi wide front, Installation drawing, Proud, NA

A – Cut-out (4" x 28" / 100 mm x 720 mm) in the bottom of the cabinet for power cord and ventilation, – Electrical and water supplies are recommended to be placed in adjacent cabinetry, Additional cabinet depth is required when placing the electrical and water supplies behind the appliance, E = Electric connection



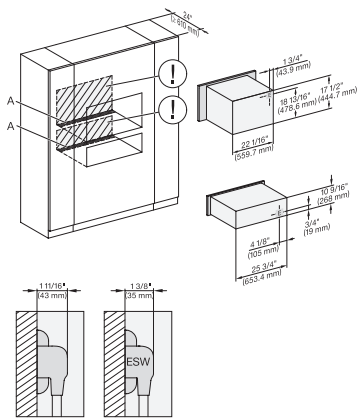
H 6x70 BM, H7x70BM(X), Installation Combi wide front, Installation drawing, Proud, NA

A – Cut-out (4" x 28" / 100 mm x 720 mm) in the bottom of the cabinet for power cord and ventilation, – Electrical and water supplies are recommended to be placed in adjacent cabinetry, Additional cabinet depth is required when placing the electrical and water supplies behind the appliance, E = Electric connection



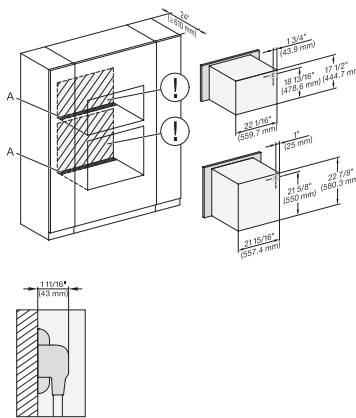
H 6x70 BM, ESW 6x85, H7x70BM(X), ESW7x70, EVS7670, Installation Combi wide front, Installation drawing, Proud, NA

A – Cut-out (4" x 28" / 100 mm x 720 mm) in the bottom of the cabinet for power cord and ventilation, – Electrical and water supplies are recommended to be placed in adjacent cabinetry, Additional cabinet depth is required when placing the electrical and water supplies behind the appliance, E = Electric connection



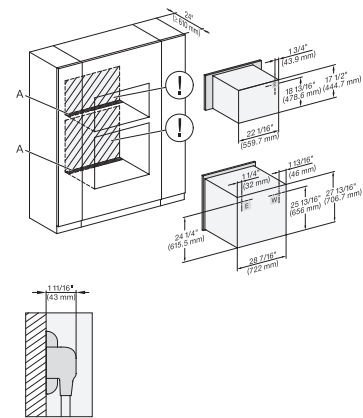
H 6x70 BM, ESW 6x80, H7x70BM, ESW7x80, Installation Combi wide front, Installation drawing, Proud, NA

A – Cut-out (4" x 28" / 100 mm x 720 mm) in the bottom of the cabinet for power cord and ventilation, – Electrical and water supplies are recommended to be placed in adjacent cabinetry, Additional cabinet depth is required when placing the electrical and water supplies behind the appliance, E = Electric connection



H6560B + EBA6808, H6x60 BP + EBA 6808, H 6x70 BM, NA7000, Installation Combi wide front, Installation drawing, Proud, NA

A – Cut-out (4" x 28" / 100 mm x 720 mm) in the bottom of the cabinet for power cord and ventilation, – Electrical and water supplies are recommended to be placed in adjacent cabinetry, Additional cabinet depth is required when placing the electrical and water supplies behind the appliance, E = Electric connection



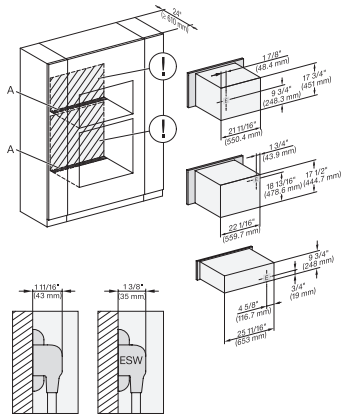
H 6x80 BP, H 6x70 BM, H 6x80-2BP, NA7000, Installation Combi wide front, Installation drawing, Proud, NA

A – Cut-out (4" x 28" / 100 mm x 720 mm) in the bottom of the cabinet for power cord and ventilation, – Electrical and water supplies are recommended to be placed in adjacent cabinetry, Additional cabinet depth is required when placing the electrical and water supplies behind the appliance, E = Electric connection

## H 7670 BM

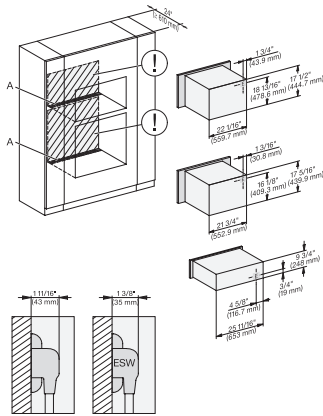
30" compact speed oven

in a perfectly combinable design with automatic programs and roast probe.



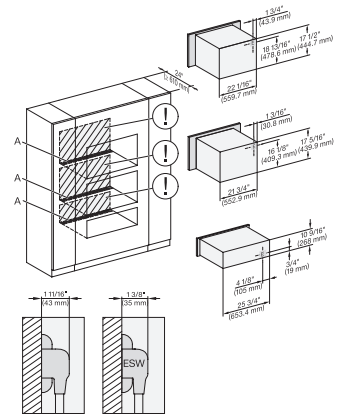
DGC 6x00-1 + EBA 6808, H 6x70 BM, ESW 6x85, Installation Combi wide front, Installation drawing, Proud, NA

A – Cut-out (4" x 28" / 100 mm x 720 mm) in the bottom of the cabinet for power cord and ventilation, – Electrical and water supplies are recommended to be placed in adjacent cabinetry, Additional cabinet depth is required when placing the electrical and water supplies behind the appliance, E = Electric connection



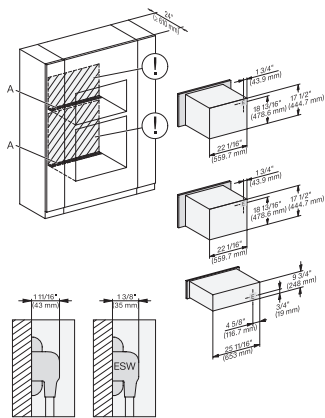
H 6x70 BM, H 6x00 BM + EBA 6808, ESW 6x85, NA7000, Installation Combi wide front, Installation drawing, Proud, NA

A – Cut-out (4" x 28" / 100 mm x 720 mm) in the bottom of the cabinet for power cord and ventilation, – Electrical and water supplies are recommended to be placed in adjacent cabinetry, Additional cabinet depth is required when placing the electrical and water supplies behind the appliance, E = Electric connection



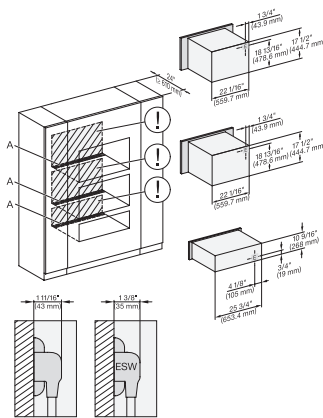
H 6x70 BM, H 6x00 BM + EBA 6808, ESW 6x80, NA7000, Installation Combi wide front, Installation drawing, Proud, NA

A – Cut-out (4" x 28" / 100 mm x 720 mm) in the bottom of the cabinet for power cord and ventilation, – Electrical and water supplies are recommended to be placed in adjacent cabinetry, Additional cabinet depth is required when placing the electrical and water supplies behind the appliance, E = Electric connection



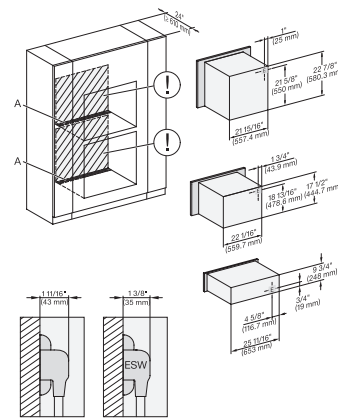
H 6x70 BM, ESW 6x85, H7x70BM, ESW7x70, EVS7670, Installation Combi wide front, Installation drawing, Proud, NA

A – Cut-out (4" x 28" / 100 mm x 720 mm) in the bottom of the cabinet for power cord and ventilation, – Electrical and water supplies are recommended to be placed in adjacent cabinetry, Additional cabinet depth is required when placing the electrical and water supplies behind the appliance, E = Electric connection



H 6x70 BM, ESW 6x80, H7x70BM, ESW7x80, Installation Combi wide front, Installation drawing, Proud, NA

A – Cut-out (4" x 28" / 100 mm x 720 mm) in the bottom of the cabinet for power cord and ventilation, – Electrical and water supplies are recommended to be placed in adjacent cabinetry, Additional cabinet depth is required when placing the electrical and water supplies behind the appliance, E = Electric connection



(H6560B, H6x60BP)+EBA6808, H6x70BM, ESW6x85, NA7000 Installation Combi wide front, Installation drawing, Proud, NA

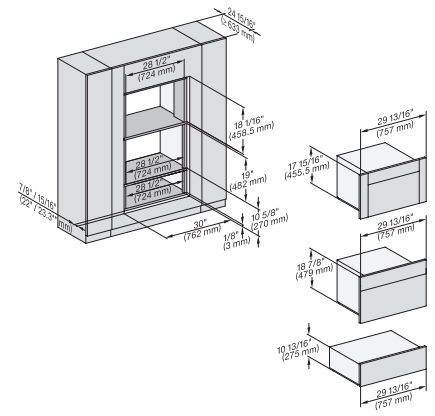
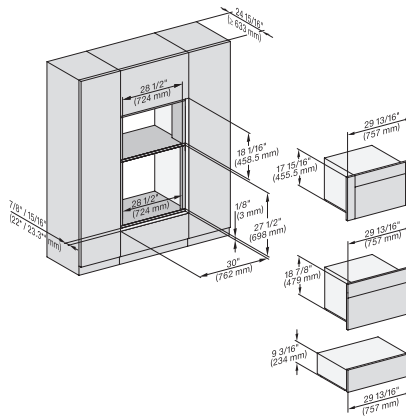
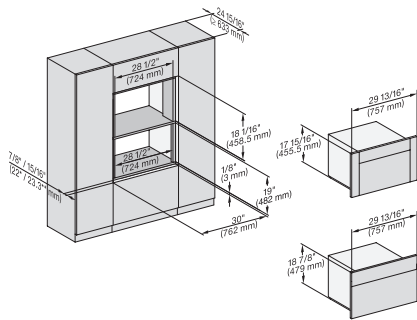
A – Cut-out (4" x 28" / 100 mm x 720 mm) in the bottom of the cabinet for power cord and ventilation, – Electrical and water supplies are recommended to be placed in adjacent cabinetry, Additional cabinet depth is required when placing the electrical and water supplies behind the appliance, E = Electric connection



## H 7670 BM

30" compact speed oven

in a perfectly combinable design with automatic programs and roast probe.



DGC7x4x+EBA7848, H7x70BM(X), Einbau, 30 Zoll, Flush inset, combi, XL

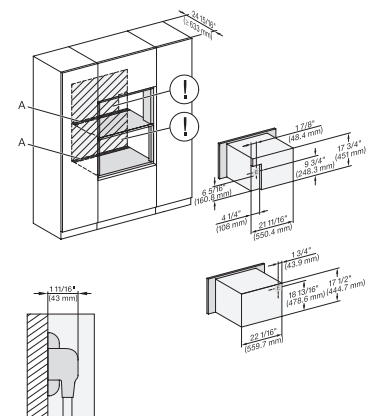
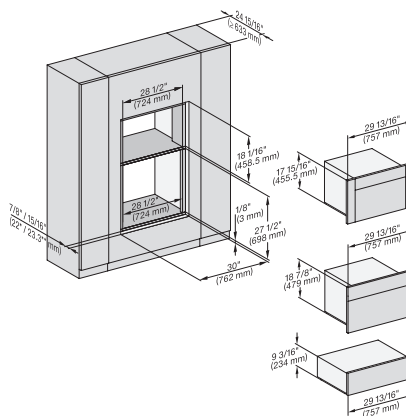
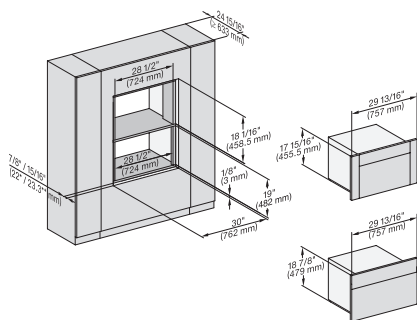
7/8" – 22\* mm – Glass, 15/16" – 23.3\*\* mm – Stainless steel

DGC7x4x+EBA7848, H7x70BM(X), ESW7x70, EVS7670, Einbau, 30 Zoll, Flush inset, combi, XL

7/8" – 22\* mm – Glass, 15/16" – 23.3\*\* mm – Stainless steel

DGC7x4x+EBA7848, H7x70BM(X), ESW7x80, Einbau, 30 Zoll, Flush inset, combi, XL

7/8" – 22\* mm – Glass, 15/16" – 23.3\*\* mm – Stainless steel



DGC7x4x+EBA7848, H7x70BM(X), Einbau, 30 Zoll, Flush inset, combi, wide front, XL

7/8" – 22\* mm – Glass, 15/16" – 23.3\*\* mm – Stainless steel

DGC7xxx+EBA7848, H7x70BM(X), ESW7x70, EVS7670, Einbau, 30 Zoll, Flush inset, combi, wide front, XL

7/8" – 22\* mm – Glass, 15/16" – 23.3\*\* mm – Stainless steel

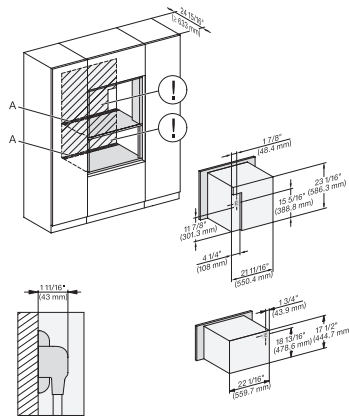
DGC7x4x+EBA7848, H7x70BM(X), Installation, 30 Zoll, Flush inset, combi, XL

A – Cut-out (4" x 28" / 100 mm x 720 mm) in the bottom of the cabinet for power cord and ventilation, – Electrical and water supplies are recommended to be placed in adjacent cabinetry., Additional cabinet depth is required when placing the electrical and water supplies behind the appliance., E = Electric connection

## H 7670 BM

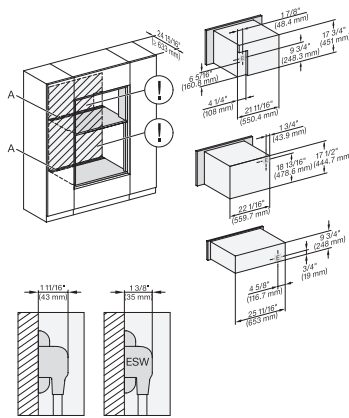
30" compact speed oven

in a perfectly combinable design with automatic programs and roast probe.



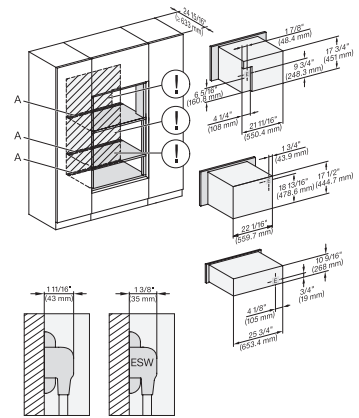
DGC786x+EBA7868, H7x70BM(X), Installation, 30 Zoll, Flush inset, combi, XXL

A – Cut-out (4" x 28" / 100 mm x 720 mm) in the bottom of the cabinet for power cord and ventilation, – Electrical and water supplies are recommended to be placed in adjacent cabinetry, Additional cabinet depth is required when placing the electrical and water supplies behind the appliance, E = Electric connection



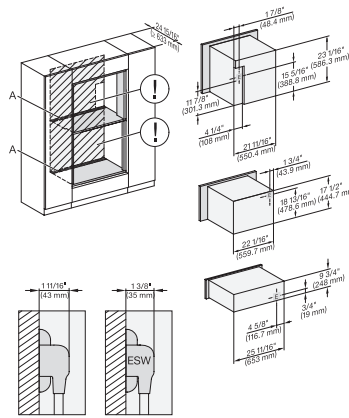
DGC7x4+EBA7848, H7x70BM+EBA7848, ESW7x70 EVS7670, Installation, 30 Zoll, Flush inset, combi, XL, 450S

A – Cut-out (4" x 28" / 100 mm x 720 mm) in the bottom of the cabinet for power cord and ventilation, – Electrical and water supplies are recommended to be placed in adjacent cabinetry, Additional cabinet depth is required when placing the electrical and water supplies behind the appliance, E = Electric connection



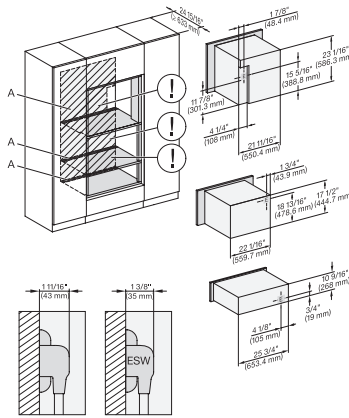
DGC7x4+EBA7848, H7x70BM(X), Installation, 30Zoll, Flush inset, combi, XL

A – Cut-out (4" x 28" / 100 mm x 720 mm) in the bottom of the cabinet for power cord and ventilation, – Electrical and water supplies are recommended to be placed in adjacent cabinetry, Additional cabinet depth is required when placing the electrical and water supplies behind the appliance, E = Electric connection



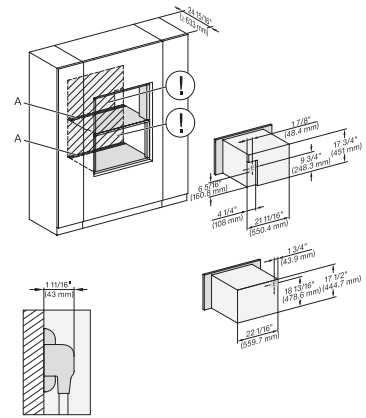
DGC786x+EBA7868, H7x70BM(X), ESW7x70, EVS7670, Installation, 30 Zoll, Flush inset, combi, XXL

A – Cut-out (4" x 28" / 100 mm x 720 mm) in the bottom of the cabinet for power cord and ventilation, – Electrical and water supplies are recommended to be placed in adjacent cabinetry, Additional cabinet depth is required when placing the electrical and water supplies behind the appliance, E = Electric connection



DGC786x+EBA7868, H7x70BM(X), ESW7x80, Installation, 30 Zoll, Flush inset, combi, XXL

A – Cut-out (4" x 28" / 100 mm x 720 mm) in the bottom of the cabinet for power cord and ventilation, – Electrical and water supplies are recommended to be placed in adjacent cabinetry, Additional cabinet depth is required when placing the electrical and water supplies behind the appliance, E = Electric connection



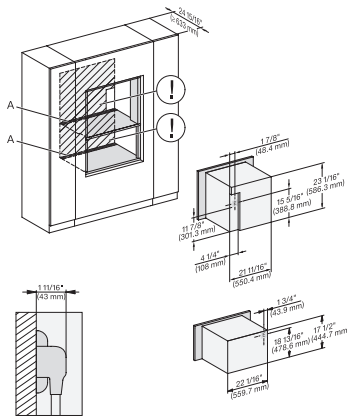
DGC7x4+EBA7848, H7x70BM(X), Installation, 30 Zoll, Flush inset, combi, wide front, XL

A – Cut-out (4" x 28" / 100 mm x 720 mm) in the bottom of the cabinet for power cord and ventilation, – Electrical and water supplies are recommended to be placed in adjacent cabinetry, Additional cabinet depth is required when placing the electrical and water supplies behind the appliance, E = Electric connection

## H 7670 BM

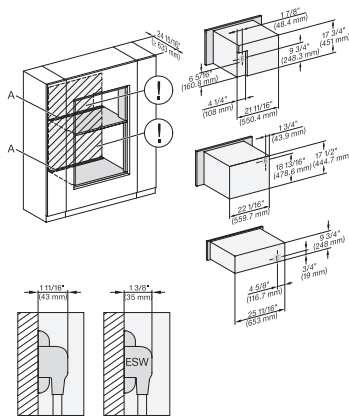
30" compact speed oven

in a perfectly combinable design with automatic programs and roast probe.



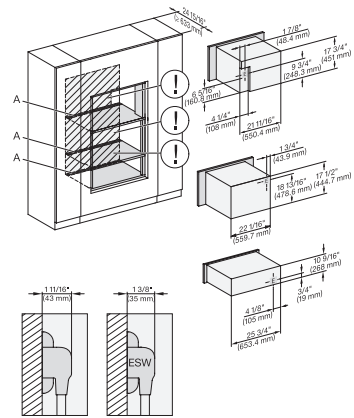
DGC786x+EBA7868, H770BM(X), Installation, 30 Zoll, Flush inset, combi, wide front, XXL

A – Cut-out (4" x 28" / 100 mm x 720 mm) in the bottom of the cabinet for power cord and ventilation, – Electrical and water supplies are recommended to be placed in adjacent cabinetry, Additional cabinet depth is required when placing the electrical and water supplies behind the appliance., E = Electric connection



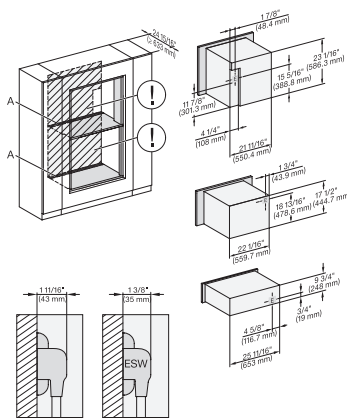
DGCTx40+EBA7848, H7x70BM, ESW7x70, EVS7670, Installation, 30 Zoll, Flush inset, combi, wide front, XL

A – Cut-out (4" x 28" / 100 mm x 720 mm) in the bottom of the cabinet for power cord and ventilation, – Electrical and water supplies are recommended to be placed in adjacent cabinetry, Additional cabinet depth is required when placing the electrical and water supplies behind the appliance., E = Electric connection



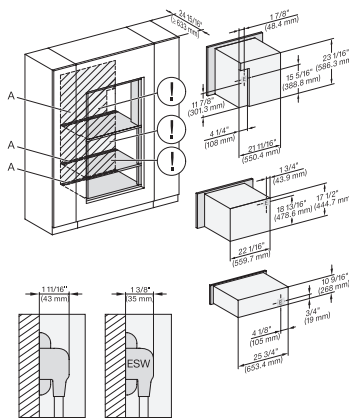
DGC7x4+EBA7848, H7x70BM, ESW7x80, Installation, 30 Zoll, Flush inset, combi, wide front, XL

A – Cut-out (4" x 28" / 100 mm x 720 mm) in the bottom of the cabinet for power cord and ventilation, – Electrical and water supplies are recommended to be placed in adjacent cabinetry, Additional cabinet depth is required when placing the electrical and water supplies behind the appliance., E = Electric connection



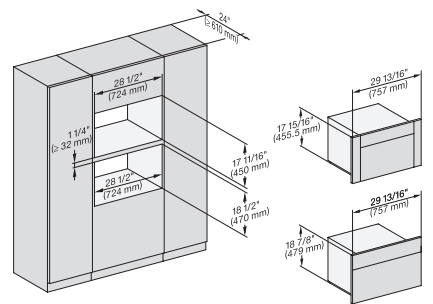
DGC786x+EBA7868, H7x70BM, ESW7x70, EVS7670, Installation, 30 Zoll, Flush inset, combi, wide front, XXL

A – Cut-out (4" x 28" / 100 mm x 720 mm) in the bottom of the cabinet for power cord and ventilation, – Electrical and water supplies are recommended to be placed in adjacent cabinetry, Additional cabinet depth is required when placing the electrical and water supplies behind the appliance., E = Electric connection



DGC786x+EBA7868, H7x70BM(X), ESW7x80, Installation, 30 Zoll, Flush inset, combi, wide front, XXL

A – Cut-out (4" x 28" / 100 mm x 720 mm) in the bottom of the cabinet for power cord and ventilation, – Electrical and water supplies are recommended to be placed in adjacent cabinetry, Additional cabinet depth is required when placing the electrical and water supplies behind the appliance., E = Electric connection



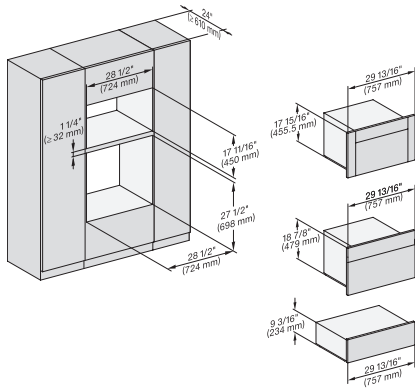
DGC7x4+EBA7848, H7x70BM(X), Einbau, 30 Zoll, Proud, combi, XL

7/8" – 22\* mm – Glass, 15/16" – 23.3\*\* mm – Stainless steel

## H 7670 BM

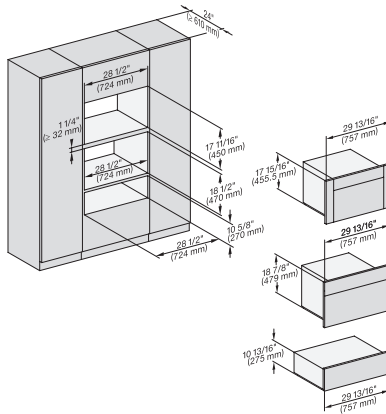
30" compact speed oven

in a perfectly combinable design with automatic programs and roast probe.



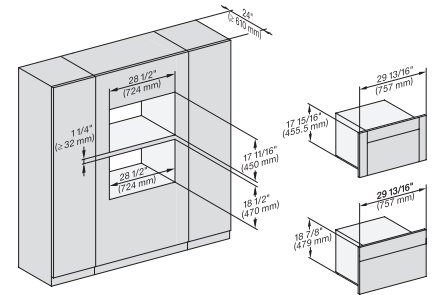
DGC7x4+EBA7848, H7x70BM(X), ESW7x70, EVS7670, Einbau, 30 Zoll, Proud, combi, XL

7/8" – 22" mm – Glass, 15/16" – 23.3\*\* mm – Stainless steel

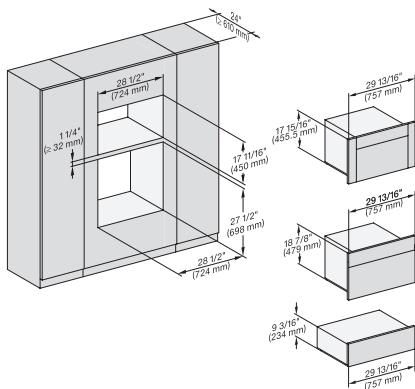


DGC7x4+EBA7848, H7x70BM, ESW7x80, Einbau, 30 Zoll, Proud, combi, XL

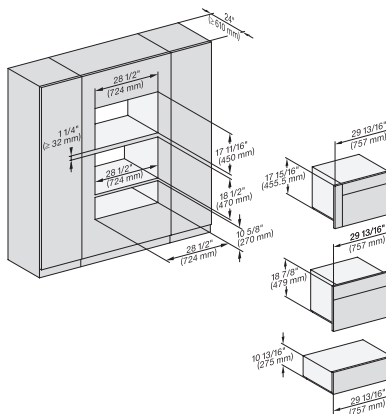
7/8" – 22" mm – Glass, 15/16" – 23.3\*\* mm – Stainless steel



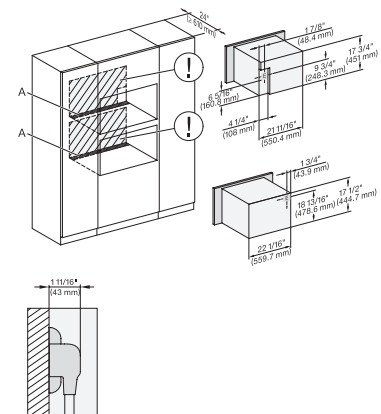
DGC7x4+EBA7848, H7x70BM(X), Einbau, 30 Zoll, Proud, combi, wide front, XL



DGC7x4+EBA7848, H7x70BM(X), ESW7x70, EVS7670, Einbau, 30 Zoll, Proud, combi, wide front, XL



DGC7x4+EBA7848, H7x70BM(X), ESW7x80, Einbau, 30 Zoll, Proud, combi, wide front, XL



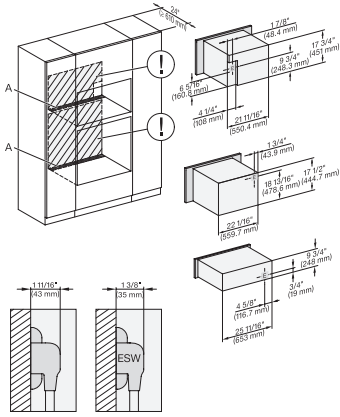
DGC7x40+EBA7848, H7x70BM(X), Installation, 30 Zoll, Proud, combi, XL

A – Cut-out (4" x 28" / 100 mm x 720 mm) in the bottom of the cabinet for power cord and ventilation, – Electrical and water supplies are recommended to be placed in adjacent cabinetry., Additional cabinet depth is required when placing the electrical and water supplies behind the appliance., E = Electric connection

## H 7670 BM

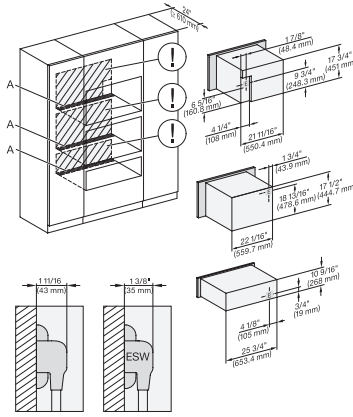
30" compact speed oven

in a perfectly combinable design with automatic programs and roast probe.



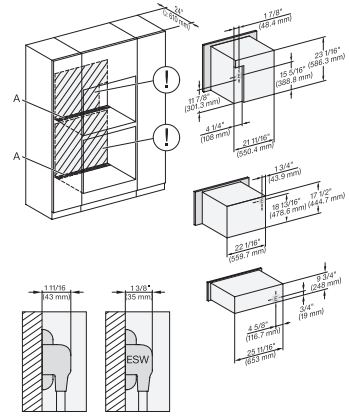
DGC7x4x+EBA7848, H7x70BM(X), ESW7x70, EVS7670, Installation, 30 Zoll, Proud, combi, XL

A – Cut-out (4" x 28" / 100 mm x 720 mm) in the bottom of the cabinet for power cord and ventilation, – Electrical and water supplies are recommended to be placed in adjacent cabinetry, Additional cabinet depth is required when placing the electrical and water supplies behind the appliance., E = Electric connection



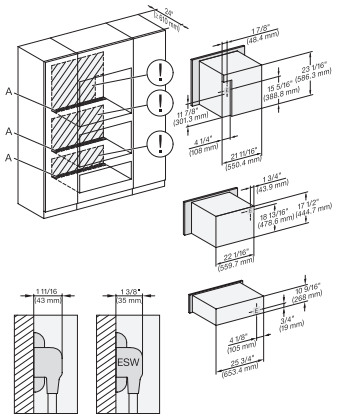
DGC7x4x+EBA7848, H7x70BM(X), ESW7x80, Installation, 30 Zoll, Proud, combi, XL

A – Cut-out (4" x 28" / 100 mm x 720 mm) in the bottom of the cabinet for power cord and ventilation, – Electrical and water supplies are recommended to be placed in adjacent cabinetry, Additional cabinet depth is required when placing the electrical and water supplies behind the appliance., E = Electric connection



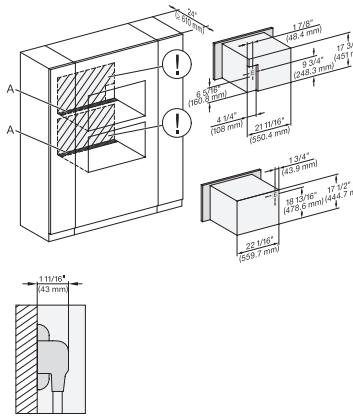
DGC786x+EBA7868, H7x70BM(X), ESW7x70, EVS7670, 30 Zoll, Proud, combi, XXL

A – Cut-out (4" x 28" / 100 mm x 720 mm) in the bottom of the cabinet for power cord and ventilation, – Electrical and water supplies are recommended to be placed in adjacent cabinetry, Additional cabinet depth is required when placing the electrical and water supplies behind the appliance., E = Electric connection



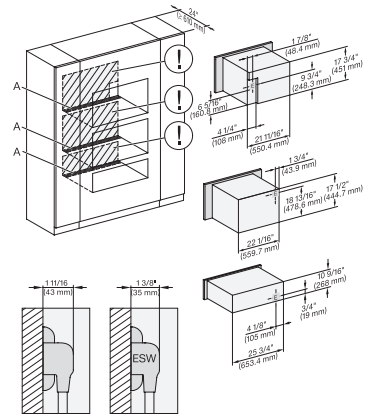
DGC786x+EBA7868, H7x70BM(X), ESW7x80, Installation, 30 Zoll, Proud, combi, XXL

A – Cut-out (4" x 28" / 100 mm x 720 mm) in the bottom of the cabinet for power cord and ventilation, – Electrical and water supplies are recommended to be placed in adjacent cabinetry, Additional cabinet depth is required when placing the electrical and water supplies behind the appliance., E = Electric connection



DC7x4x+EBA7848, H7x70BM(X), Installation, 30 Zoll, Proud, combi, wide front, XL

A – Cut-out (4" x 28" / 100 mm x 720 mm) in the bottom of the cabinet for power cord and ventilation, – Electrical and water supplies are recommended to be placed in adjacent cabinetry, Additional cabinet depth is required when placing the electrical and water supplies behind the appliance., E = Electric connection



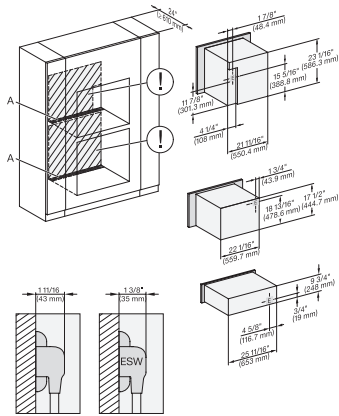
DGC7x4x+EBA7848, H7x70BM(X), ESW7x80, Installation, 30 Zoll, Proud, combi, wide front, XL

A – Cut-out (4" x 28" / 100 mm x 720 mm) in the bottom of the cabinet for power cord and ventilation, – Electrical and water supplies are recommended to be placed in adjacent cabinetry, Additional cabinet depth is required when placing the electrical and water supplies behind the appliance., E = Electric connection

## H 7670 BM

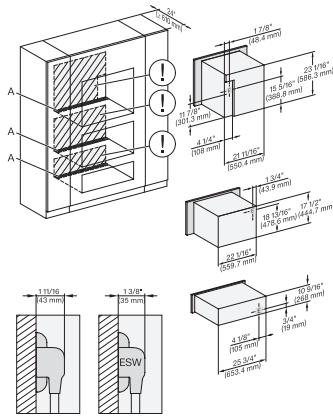
30" compact speed oven

in a perfectly combinable design with automatic programs and roast probe.



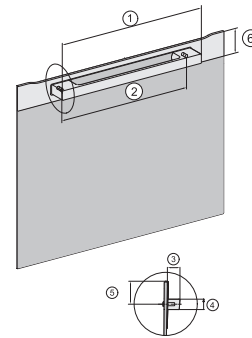
DGC786x+EBA7868, H7x70BM(X), ESW7x70, EVS7670, Installation, 30 Zoll, Flush inset, combi, wide front, XXL

A – Cut-out (4" x 28" / 100 mm x 720 mm) in the bottom of the cabinet for power cord and ventilation, – Electrical and water supplies are recommended to be placed in adjacent cabinetry, Additional cabinet depth is required when placing the electrical and water supplies behind the appliance, E = Electric connection



DGC786x+EBA7868, H7x70BM(X), ESW7x80, Installation, 30 Zoll, Proud, combi, wide front, XXL

A – Cut-out (4" x 28" / 100 mm x 720 mm) in the bottom of the cabinet for power cord and ventilation, – Electrical and water supplies are recommended to be placed in adjacent cabinetry, Additional cabinet depth is required when placing the electrical and water supplies behind the appliance, E = Electric connection



Handle H72xx, H76xx, H78xx, PureLine – NA7000 – Installation drawing

H2880BP, H7270BM, H7670BM, H7870BM, H7280BP, H7680BP, H7880BP, H7880BP2: [2] 19 11/16" / 500 mm, [2] 17 1/2" / 444 mm, [2] 1 7/8" / 47 mm, [2] 15/16" / 24 mm, [2] 1 1/4" / 32,5 mm, [2] 2 9/16" / 65 mm, H7240BM, H7640BM, H7840BM, H7263BP, H7660BP: [2] 15 3/4" / 400 mm, [2] 14 3/16" / 360 mm, [2] 1 7/8" / 47 mm, [2] 15/16" / 24 mm, [2] 1 1/4" / 32,5 mm, [2] 2 9/16" / 65 mm