

H 7780 BP2  
30" double oven  
in a combinable design with wireless precision probe.



- Large touch display with proximity sensor – M Touch + MotionReact
- Achieve perfect results with ease – Automatic programs
- Minimal cleaning effort – Self Clean and Self Clean ready
- Beautifully light dough and browned crusts – Moisture Plus
- Network-enabled WiFi appliance – Miele@home

EAN: 4002516487432 / Material number: 11805570 / Old Material Number: 22778047USA

<b>Construction type and design</b>	
Built-in wall oven	•
Color	Clean Touch Steel
ContourLine	•
<b>Convenience features</b>	
Rapid PreHeat	•
Roast probe	Wireless precision food probe
Keep-warm function	•
Crisp Function	•
<b>Operating modes</b>	
Defrost	•
MasterChef automatic programs	•
Auto roast	•
Broiling operating modes	•
Maxi Broil	•
Broil	•
Convection Bake	•
Convection Roast	•
Intensive Bake	•
Moisture Plus	•
Moisture Plus with Convection Bake	•
Moisture Plus with Surround	•
Moisture Plus with Intensive	•
Moisture Plus with AutoRoast	•
Slow roast	•
Surround	•
Browning	•
Bake	•
Convection Roast	•
Special modes	•
<b>User convenience</b>	
Networking with Miele@home	•
Control panel	M Touch
MotionReact proximity sensor	•
MotionReact: Light comes on when movement is detected	•
MotionReact: Display comes on when movement is detected	•
MotionReact: Audible signal to acknowledge when movement is detected	•
MotionReact: Detection of cabinet fronts	•
SoftOpen	•
SoftClose	•
ComfortSwivel handle	•
MultiLingua	•
MyMiele	•
Show me how	•
Timed bursts of steam	•
Polyphonic acoustic signals	•
Time of day display	•
Time synchronization	•

H 7780 BP2  
30" double oven  
in a combinable design with wireless precision probe.



EAN: 4002516487432 / Material number: 11805570 / Old Material Number: 22778047USA

Date display	•
Minute minder	•
Programming start of cooking duration	•
Programming end of cooking duration	•
Programmable cooking time	•
Actual temperature display	•
Audible signal when desired temperature is reached	•
Default temperature	•
Favorites	•
Sabbath program	•
Individual settings	•
DirectWater plus	•
<b>Efficiency and sustainability</b>	
Automatic residual heat utilization	•
<b>Cleaning convenience</b>	
Clean Touch Steel surface	•
Self-cleaning	•
Catalyzer	•
CleanGlass door	•
<b>Safety</b>	
Appliance cooling system and cool touch front	•
Safety cut-out	•
System lock	•
Door lock during self cleaning	•
Sensor lock	•
<b>Technical data</b>	
Cavity volume in cu.ft (l)	4.59 (130)
No. of rack levels	6
Number of shelf levels oven compartment 1	6
Number of shelf levels oven compartment 2	6
Labeling of rack levels	•
Oven interior lighting	2 halogen spots
TwinPower hot air fans	•
Temperatures in °F (°C)	85-575 (30-300)
Niche width min. in inches (mm)	28 5/8 (724)
Niche width max. in inches (mm)	28 5/8 (724)
Niche height min. in inches (mm)	51 1/8 (1298)
Niche height max. in inches (mm)	51 1/8 (1298)
Niche depth in in. (mm)	24 1/8 (610)
Appliance width in in. (mm)	28 3/8 (720)
Appliance height in in. (mm)	50 7/8 (1290)
Appliance depth in in. (mm)	23 5/8 (597)
Weight in lbs. (kg)	343.92 (156.0)
Total connected load in kW	10.50
Power Rating in V	120
Voltage in V	240/208
Frequency in Hz	60
Fuse rating in A	50
Number of phases	1
Connection wire with plug	•
Length of power cord in in. (m)	1.80

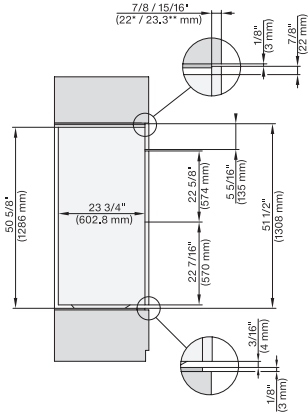
H 7780 BP2  
 30" double oven  
 in a combinable design with wireless precision probe.



EAN: 4002516487432 / Material number: 11805570 / Old Material Number: 22778047USA

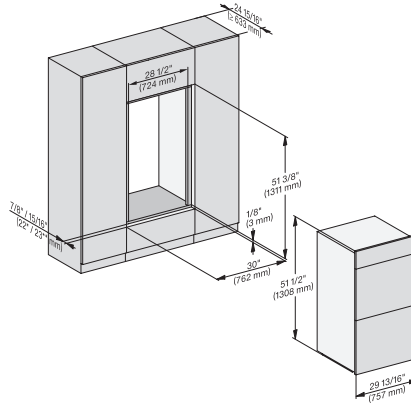
Length of water inlet hose in ft. (m)	1.5
<b>Standard accessories</b>	
Gourmet baking and AirFry tray, perforated, with PerfectClean HBBL 71	1
Universal tray with PerfectClean	2
Self Clean ready baking and roasting rack	4
Self Clean ready wire rack with rail system	2
Removable Self Clean-ready side racks (pair)	1
Grilling and roasting insert with PerfectClean	1
<b>Available display languages</b>	
Available display languages via MultiLingua	bahasa malaysia, dansk, deutsch, eesti, english, english (AU), english (CA), english (GB), english (US), español, français, français (CA), français (FR), hrvatski, italiano, latviesu, lietuviu, magyar, nederlands, norsk, polski, portugues, russkij, romãna, slovenčina, slovenščina, srpski, suomi, svenska, türkçe, українська, čeština, ελληνικά,

H 7780 BP2  
30" double oven  
in a combinable design with wireless precision probe.



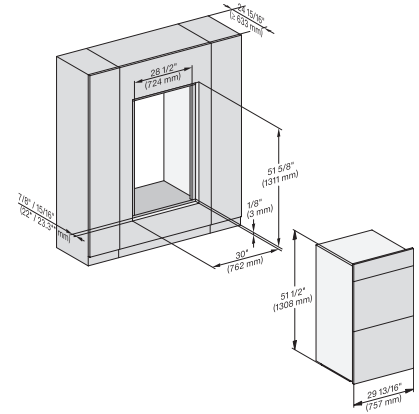
side view, 30 inch Flush inset double, installation drawing, NA

7/8" – 22\* mm – Glas, 15/16" – 23.3\*\* mm – Edelstahl



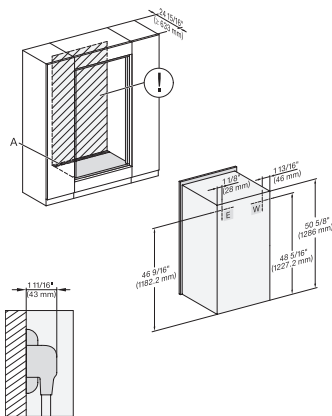
installation 30 inch Flush inset double, installation drawing, NA

7/8" – 22\* mm – Glas, 15/16" – 23.3\*\* mm – Edelstahl



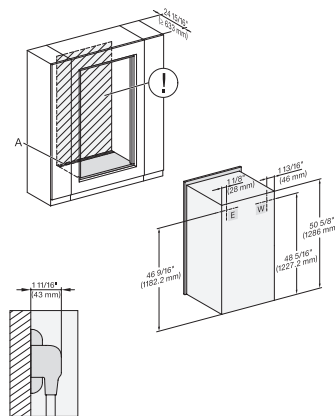
installation 30 inch Flush inset wide front double, installation drawing, NA

7/8" – 22\* mm – Glas, 15/16" – 23.3\*\* mm – Edelstahl



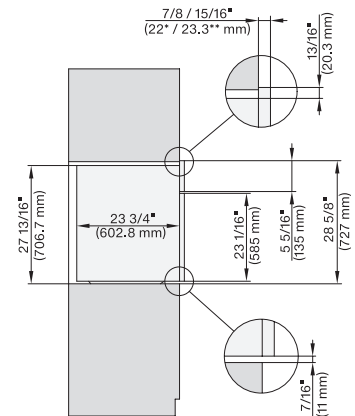
installation 30 inch flush inset double, installation drawing, NA

A – Cut-out (4" x 28" / 100 mm x 720 mm) in the bottom of the cabinet for power cord and ventilation. – Electrical and water supplies are recommended to be placed in adjacent cabinetry. Additional cabinet depth is required when placing the electrical and water supplies behind the appliance., E = Electric connection, W = Water connection



installation 30 inch flush inset wide front double, installation drawing, NA

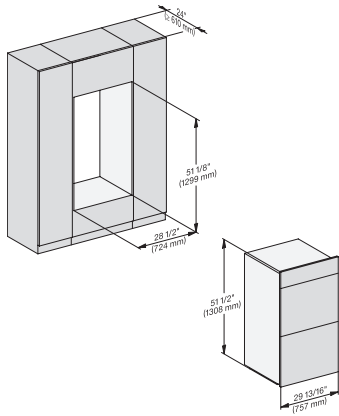
A – Cut-out (4" x 28" / 100 mm x 720 mm) in the bottom of the cabinet for power cord and ventilation. – Electrical and water supplies are recommended to be placed in adjacent cabinetry. Additional cabinet depth is required when placing the electrical and water supplies behind the appliance., E = Electric connection, W = Water connection



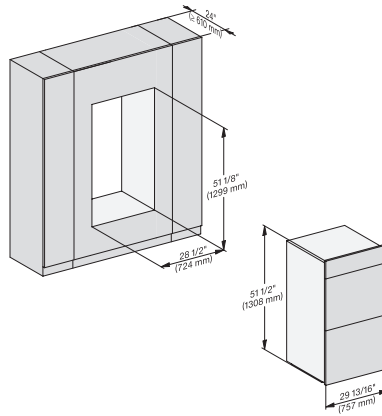
side view 30 inch Proud, installation drawing, NA

7/8" – 22\* mm – Glas, 15/16" – 23.3\*\* mm – Edelstahl

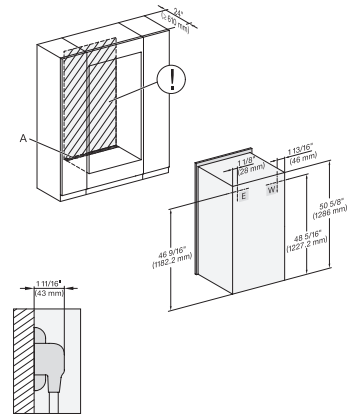
H 7780 BP2  
30" double oven  
in a combinable design with wireless precision probe.



installation 30 inch Proud double, installation drawing, NA

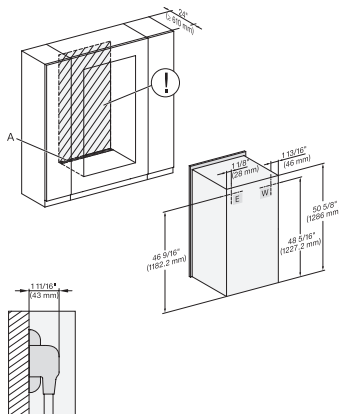


installation 30 inch Proud wide front double, installation drawing, NA



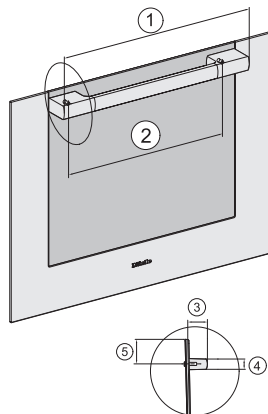
installation 30 inch Proud double, installation drawing, NA

A – Cut-out (4" x 28" / 100 mm x 720 mm) in the bottom of the cabinet for power cord and ventilation. – Electrical and water supplies are recommended to be placed in adjacent cabinetry. Additional cabinet depth is required when placing the electrical and water supplies behind the appliance. E = Electric connection, W = Water connection



installation 30 inch Proud wide front double, installation drawing, NA

A – Cut-out (4" x 28" / 100 mm x 720 mm) in the bottom of the cabinet for power cord and ventilation. – Electrical and water supplies are recommended to be placed in adjacent cabinetry. Additional cabinet depth is required when placing the electrical and water supplies behind the appliance. E = Electric connection, W = Water connection



Handle 30" DGC73xx, DGC75xx, DGC77xx, H71xx, H75xx, H77xx, ContourLine – NA7000 - Installation drawing

21 1/8" / 536 mm, 17 1/2" / 444 mm, 2 1/2" / 64 mm, 1 3/8" / 35 mm, 1 7/16" / 37 mm