

H 7840 BM AM

24" compact speed oven

in a perfectly combinable design with automatic programs and roast probe.



- Large touch display with proximity sensor – M Touch + MotionReact
- Easy cleaning – cavity with linen-weave pattern & PerfectClean
- Faster and more consistent results – Quick & Gentle
- Network-enabled WiFi appliance – Miele@home
- Popcorn in a flash with the popcorn function

EAN: 4002516484592 / Material number: 11804660 /
Old Material Number: 22784026USA

General information	
Model number	H 7840 BM AM
Manufacturer material number	11804660
EAN number	4002516484592
Class	Diamond
Construction type and design	
Color	Obsidian black
VitroLine	•
Construction type and design	
Built-in wall speed oven	•
User convenience	
3 in 1	Oven, Microwave, Speed oven
Convenience features	
Precise oven temperature regulation in °F (°C)	85-475 (30-250)
Quick & Gentle	•
Rapid PreHeat	•
Roast probe	wired
Keep-warm function	•
Crisp Function	•
Operating modes	
Defrost	•
Convection Bake	•
Convection Roast	•
Auto roast	•
Intensive	•
Slow roast	•
Microwave	•
Micro Broil	•
Combi Bake	•
Combi Broil	•
Surround	•
Bake	•
Convection Roast	•
Combi Auto Roast	•
Special modes	•
Maxi Broil	•
Automatic programs	•
User convenience	
MotionReact proximity sensor	•
Networking with Miele@home	•
Control panel	M Touch
MotionReact: Light comes on when movement is detected	•
MotionReact: Display comes on when movement is detected	•
MotionReact: Audible signal to acknowledge when movement is detected	•
MotionReact: Detection of cabinet fronts	•

H 7840 BM AM

24" compact speed oven

in a perfectly combinable design with automatic programs and roast probe.



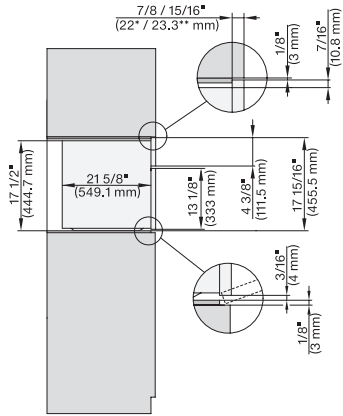
EAN: 4002516484592 / Material number: 11804660 /
Old Material Number: 22784026USA

SoftOpen	•
SoftClose	•
MultiLingua	•
MyMiele	•
Show me how	•
Popcorn function	•
Polyphonic acoustic signals	•
Time of day display	•
Time synchronization	•
Date display	•
Minute minder	•
Programming start of cooking duration	•
Programming end of cooking duration	•
Programmable cooking time	•
Actual temperature display	•
Audible signal when desired temperature is reached	•
Default temperature	•
Recommended microwave power	•
Minute Plus button	•
Favorites	•
Sabbath program	•
Individual settings	•
Efficiency and sustainability	
Automatic residual heat utilization	•
Cleaning convenience	
Stainless-steel cavity with linen surface structure	•
Foldable broil heater element	•
CleanGlass door	•
Safety	
Appliance cooling system and cool touch front	•
Safety cut-out	•
System lock	•
Sensor lock	•
Technical data	
Cavity volume in cu.ft (l)	1.52 (43)
No. of rack levels	3
Number of shelf levels oven compartment 1	3
Number of shelf levels oven compartment 2	3
Oven interior lighting	1 LED spot
Electronically controlled microwave power	•
Microwave power levels	1 - 7
Niche width min. in inches (mm)	22 1/8 (560)
Niche width max. in inches (mm)	22 3/8 (568)
Niche height min. in inches (mm)	17 3/4 (450)
Niche height max. in inches (mm)	17 7/8 (452)
Niche depth in in. (mm)	21 3/4 (550)
Appliance width in in. (mm)	23 1/2 (595)
Appliance height in in. (mm)	18 (456)

H 7840 BM AM

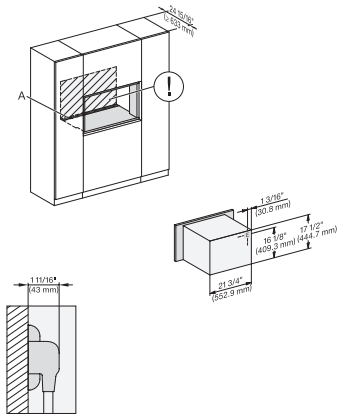
24" compact speed oven

in a perfectly combinable design with automatic programs and roast probe.



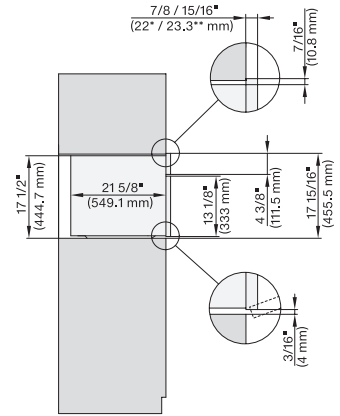
side view 30 inch Flush inset 450S, installation drawing, NA

7/8" – 22* mm – Glas, 15/16" – 23.3** mm – Edelstahl



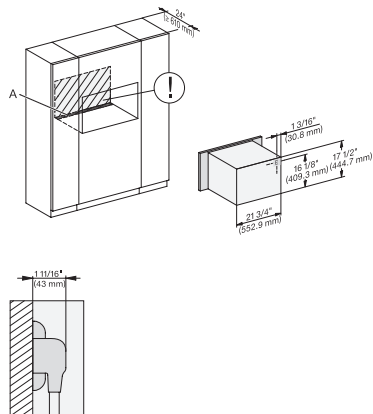
installation 30 inch Flush inset 450S, installation drawing, NA

A – Cut-out (1 9/16" x 19 11/16" / 40 mm x 500 mm) in the bottom of the cabinet for power cord and ventilation, – Electrical and water supplies are recommended to be placed in adjacent cabinetry., Additional cabinet depth is required when placing the electrical and water supplies behind the appliance., E = Electric connection



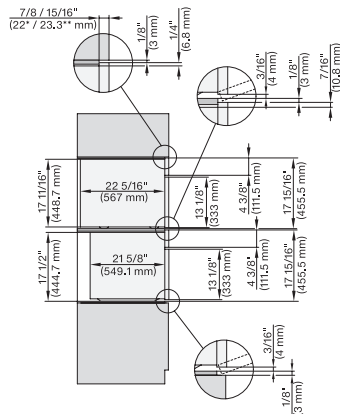
side view 30 inch Proud 450S, installation drawing, NA

7/8" – 22* mm – Glas, 15/16" – 23.3** mm – Edelstahl



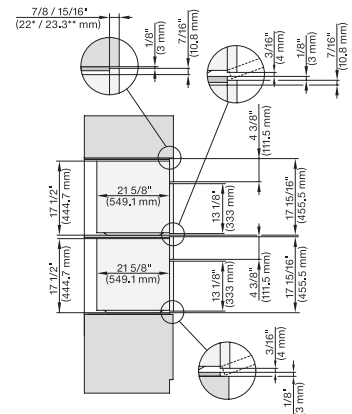
installation 30 inch Proud 450S, installation drawing, NA

A – Cut-out (1 9/16" x 19 11/16" / 40 mm x 500 mm) in the bottom of the cabinet for power cord and ventilation, – Electrical and water supplies are recommended to be placed in adjacent cabinetry., Additional cabinet depth is required when placing the electrical and water supplies behind the appliance., E = Electric connection



DGC 6x00-1 + EBA 6808, H 6x00 BM + EBA 6808, DGC7xxx, H7xxx, EBA7848 Combi, Installation drawing, Flush inset, NA

7/8" – 22* mm – Glas, 15/16" – 23.3** mm – Edelstahl



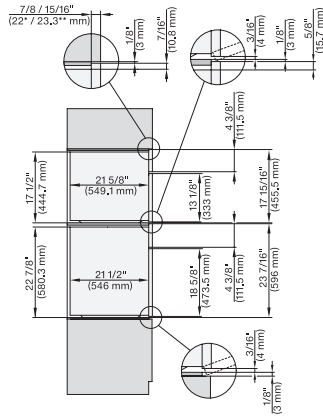
H 6x00 BM + EBA 6808, H7xxx, EBA7848 Combi, Installation drawing, Flush inset, NA

7/8" – 22* mm – Glas, 15/16" – 23.3** mm – Edelstahl

H 7840 BM AM

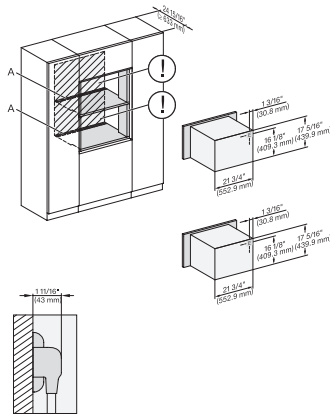
24" compact speed oven

in a perfectly combinable design with automatic programs and roast probe.



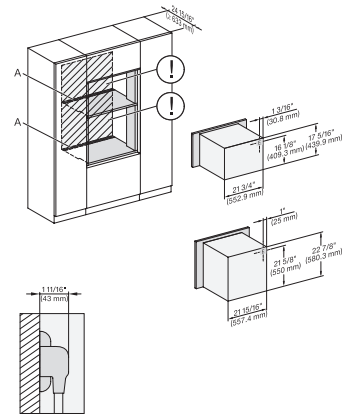
H 6560 B + EBA 6808, H 6x60 BP + EBA 6808, H 6x00 BM + EBA 6808, H7xxx, EBA 78x8 Combi, Install drawing, Flush inset, NA

7/8" – 22* mm – Glas, 15/16" – 23.3** mm – Edelstahl



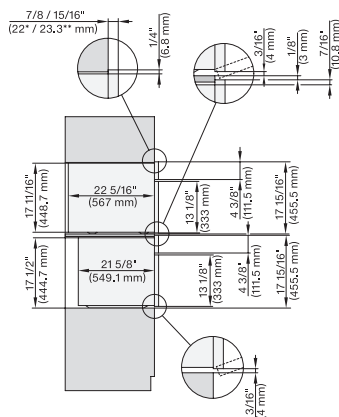
H 6x00 BM + EBA 6808, H 7x40BM, EBA 7848 Installation Combi, Installation drawing, Flush inset, NA

A – Cut-out (4" x 28" / 100 mm x 720 mm) in the bottom of the cabinet for power cord and ventilation, – Electrical and water supplies are recommended to be placed in adjacent cabinetry, Additional cabinet depth is required when placing the electrical and water supplies behind the appliance, E = Electric connection



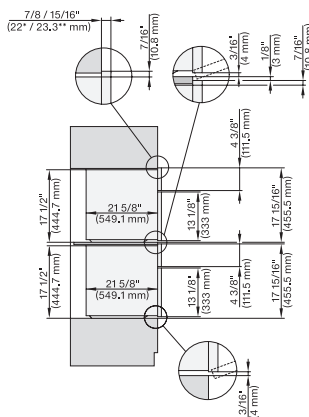
H 6560 B + EBA 6808, H 6x60 BP + EBA 6808, H 6x00 BM, H 7xxx, EBA 78x8, Install drawing, Flush inset, NA

A – Cut-out (4" x 28" / 100 mm x 720 mm) in the bottom of the cabinet for power cord and ventilation, – Electrical and water supplies are recommended to be placed in adjacent cabinetry, Additional cabinet depth is required when placing the electrical and water supplies behind the appliance, E = Electric connection



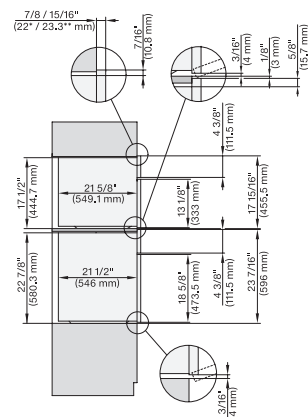
DGC 6x00-1 + EBA6808, H 6x00 BM+EBA 6808, DGC7x4x(+EBA7848), H7x40BM(+EBA7848), Combi, Install drawing, Proud, NA

7/8" – 22* mm – Glas, 15/16" – 23.3** mm – Edelstahl



H 6x00 BM + EBA 6808, H7x40BM(+EBA7848), Combi, Install drawing, Proud, NA

7/8" – 22* mm – Glas, 15/16" – 23.3** mm – Edelstahl



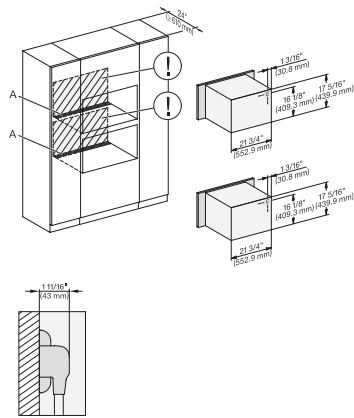
H 6560 B + EBA 6808, H 6x60 BP + EBA 6808, H 6x00 BM + EBA 6808, H7xxx+EBA7x7x, Combi, Install drawing, Proud, NA

7/8" – 22* mm – Glas, 15/16" – 23.3** mm – Edelstahl

H 7840 BM AM

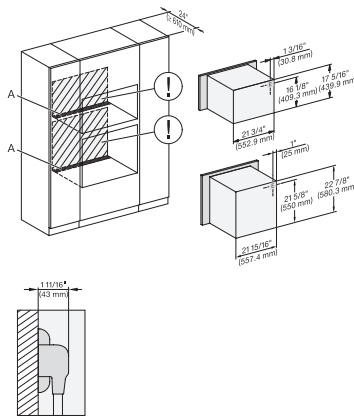
24" compact speed oven

in a perfectly combinable design with automatic programs and roast probe.



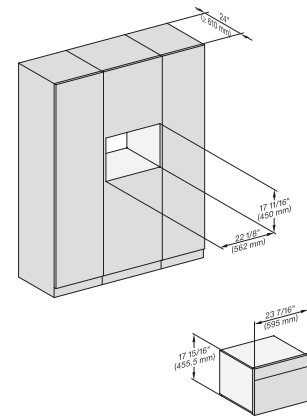
H 6x00 BM + EBA 6808, H7x40BM(+EBA7848), NA7000 Installation Combi, Installation drawing, Proud, NA

A – Cut-out (4" x 28" / 100 mm x 720 mm) in the bottom of the cabinet for power cord and ventilation, – Electrical and water supplies are recommended to be placed in adjacent cabinetry, Additional cabinet depth is required when placing the electrical and water supplies behind the appliance, E = Electric connection

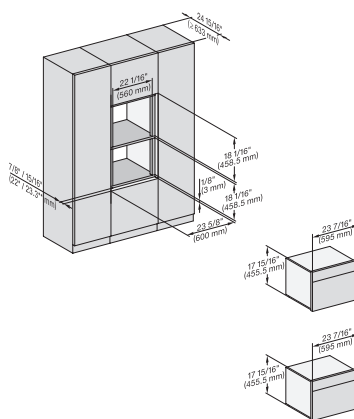


H 6560 B + EBA 6808, H 6x60 BP + EBA6808, H6x00BM + EBA6808, NA7000 Installation Combi, Installation drawing, Proud, NA

A – Cut-out (4" x 28" / 100 mm x 720 mm) in the bottom of the cabinet for power cord and ventilation, – Electrical and water supplies are recommended to be placed in adjacent cabinetry, Additional cabinet depth is required when placing the electrical and water supplies behind the appliance, E = Electric connection

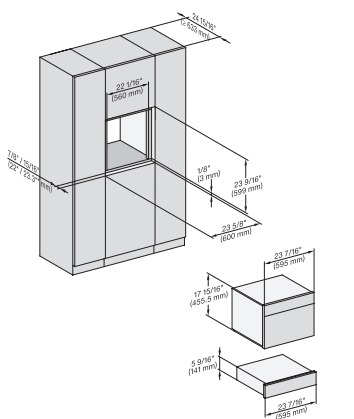


installation Proud 450S, installation drawing, NA



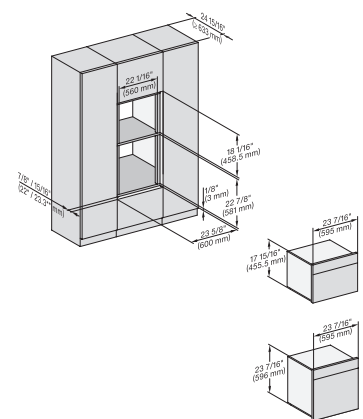
Installation Flush inset combi 450S

7/8" – 22* mm – Glass, 15/16" – 23.3** mm – Stainless steel, DGC: Minimum installation height 36" – 914 mm from floor to the device installation surface



Einbau, Flush inset, combi, 450S, ESW

7/8" – 22* mm – Glass, 15/16" – 23.3** mm – Stainless steel, DGC: Minimum installation height 36" – 914 mm from floor to the device installation surface



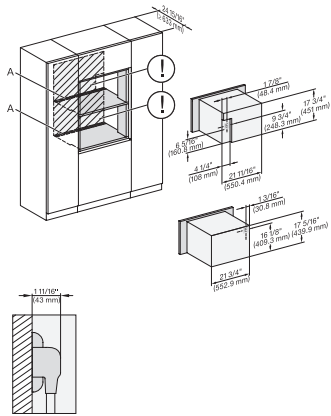
Installation Flush inset, combi, 650S, 450S

7/8" – 22* mm – Glass, 15/16" – 23.3** mm – Stainless steel, DGC: Minimum installation height 36" – 914 mm from floor to the device installation surface,

H 7840 BM AM

24" compact speed oven

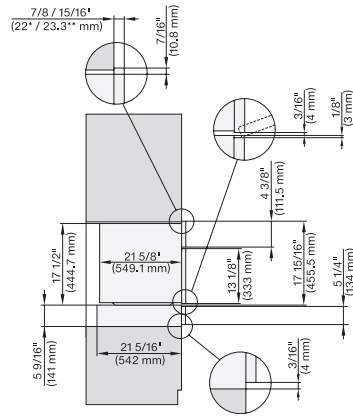
in a perfectly combinable design with automatic programs and roast probe.



DGC7xxx+EBA7848, H7x40BM (+EBA7848),

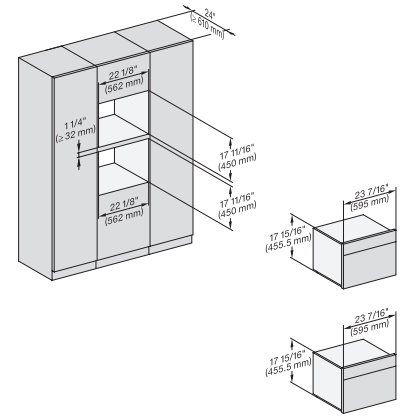
Installation, 30 Zoll, Flushinset, combi, XL, 450S

A – Cut-out (4" x 28" / 100 mm x 720 mm) in the bottom of the cabinet for power cord and ventilation, – Electrical and water supplies are recommended to be placed in adjacent cabinetry, Additional cabinet depth is required when placing the electrical and water supplies behind the appliance., E = Electric connection



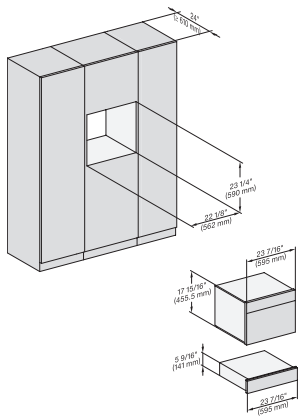
side view, Proud, combi, 450S ESW

7/8" – 22* mm – Glass, 15/16" – 23.3** mm – Stainless steel



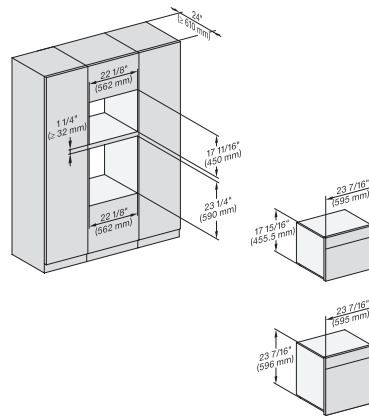
Installation Proud, combi, 450S

DGC: Minimum installation height 36" – 914 mm from floor to the device installation surface



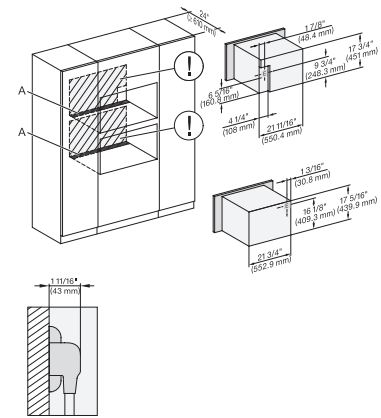
Installation Proud, combi, 450S ESW

DGC: Minimum installation height 36" – 914 mm from floor to the device installation surface



Installation Proud, combi, 650S, 450S

DGC: Minimum installation height 36" – 914 mm from floor to the device installation surface



DGC7x4(+EBA7848), H7x40BM(+EBA7848),

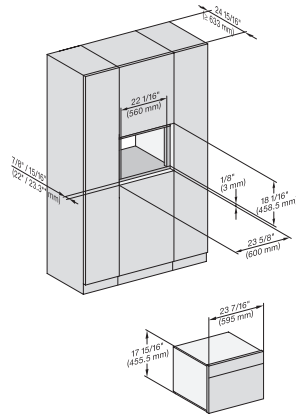
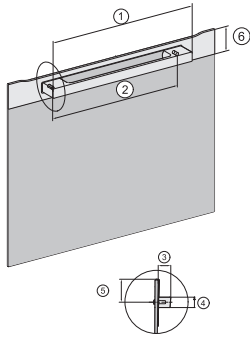
Installation, 30 Zoll, Proud, combi, XL, 450S

A – Cut-out (4" x 28" / 100 mm x 720 mm) in the bottom of the cabinet for power cord and ventilation, – Electrical and water supplies are recommended to be placed in adjacent cabinetry, Additional cabinet depth is required when placing the electrical and water supplies behind the appliance., E = Electric connection

H 7840 BM AM

24" compact speed oven

in a perfectly combinable design with automatic programs and roast probe.



Handle H72xx, H76xx, H78xx, PureLine – NA7000 - Installation drawing

H2880BP, H7270BM, H7670BM, H7870BM, H7280BP, H7680BP, H7880BP, H7880BP2.; \square 19 11/16" / 500 mm, \square 17 1/2" / 444 mm, \square 17/8" / 47 mm, \square 15/16" / 24 mm, \square 1 1/4" / 32,5 mm, \square 2 9/16" / 65 mm, H7240BM, H7640BM, H7840BM, H7263BP, H7660BP.; \square 15 3/4" / 400 mm, \square 14 3/16" / 360 mm, \square 17/8" / 47 mm, \square 15/16" / 24 mm, \square 1 1/4" / 32,5 mm, \square 2 9/16" / 65 mm

installation Flush inset 450S, installation drawing, NA

7/8" – 22* mm – Glass, 15/16" – 23.3** mm – Stainless steel, DGC: Minimum installation height 36" – 914 mm from floor to the device installation surface