

H 7870 BMX

30" handleless compact speed oven

in a perfectly combinable design with automatic programs and roast probe.



- Large touch display with proximity sensor – M Touch + MotionReact
- Easy cleaning – cavity with linen-weave pattern & PerfectClean
- Faster and more consistent results – Quick & Gentle
- Network-enabled WiFi appliance – Miele@home
- Popcorn in a flash with the popcorn function

EAN: 4002516485216 / Material number: 11804710 /
Old Material Number: 22787076USA

General information	
Model number	H 7870 BMX
Manufacturer material number	11804710
EAN number	4002516485216
Construction type and design	
Color	Graphite grey
ArtLine	•
Handleless	•
Construction type and design	
Built-in wall speed oven	•
User convenience	
3 in 1	Oven, Microwave, Speed oven
Convenience features	
Precise oven temperature regulation in °F (°C)	85-475 (30-250)
Quick & Gentle	•
Rapid PreHeat	•
Roast probe	wired
Keep-warm function	•
Crisp Function	•
Operating modes	
Defrost	•
Convection Bake	•
Convection Roast	•
Auto roast	•
Intensive	•
Slow roast	•
Microwave	•
Micro Broil	•
Combi Bake	•
Combi Broil	•
Surround	•
Bake	•
Convection Roast	•
Combi Auto Roast	•
Special modes	•
Maxi Broil	•
Automatic programs	•
User convenience	
MotionReact proximity sensor	•
Networking with Miele@home	•
Control panel	M Touch
MotionReact: Light comes on when movement is detected	•
MotionReact: Display comes on when movement is detected	•
MotionReact: Audible signal to acknowledge when movement is detected	•
MotionReact: Detection of cabinet fronts	•

H 7870 BMX

30" handleless compact speed oven

in a perfectly combinable design with automatic programs and roast probe.



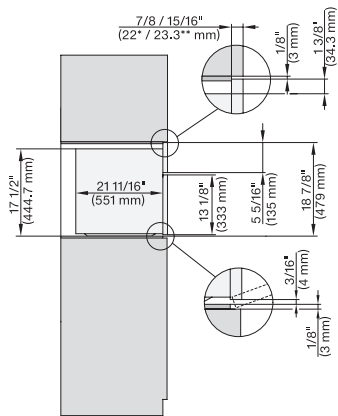
EAN: 4002516485216 / Material number: 11804710 /
Old Material Number: 22787076USA

SoftOpen	•
MultiLingua	•
MyMiele	•
Show me how	•
Popcorn function	•
Polyphonic acoustic signals	•
Time of day display	•
Time synchronization	•
Date display	•
Minute minder	•
Programming start of cooking duration	•
Programming end of cooking duration	•
Programmable cooking time	•
Actual temperature display	•
Audible signal when desired temperature is reached	•
Default temperature	•
Recommended microwave power	•
Minute Plus button	•
Favorites	•
Individual settings	•
Efficiency and sustainability	
Automatic residual heat utilization	•
Cleaning convenience	
Stainless-steel cavity with linen surface structure	•
Foldable broil heater element	•
CleanGlass door	•
Safety	
Appliance cooling system and cool touch front	•
Safety cut-out	•
System lock	•
Sensor lock	•
Technical data	
Cavity volume in cu.ft (l)	1.52 (43)
No. of rack levels	3
Number of shelf levels oven compartment 1	3
Number of shelf levels oven compartment 2	3
Oven interior lighting	1 LED spot
Electronically controlled microwave power	•
Microwave power levels	1 - 7
Niche dimensions (W x H x D) in inches (mm)	28 5/8 (724)-28 5/8 (724) x 18 5/8 (470)-18 5/8 (472) x 24 1/8 (610)
Niche width min. in inches (mm)	28 5/8 (724)
Niche width max. in inches (mm)	28 5/8 (724)
Niche height min. in inches (mm)	18 5/8 (470)
Niche height max. in inches (mm)	18 5/8 (472)
Niche depth in in. (mm)	24 1/8 (610)
Appliance dimensions (W x H x D) in inches (mm)	29 7/8 (757) x 18 7/8 (479) x 22 5/8 (573)

H 7870 BMX

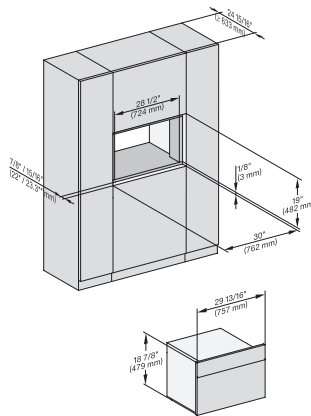
30" handleless compact speed oven

in a perfectly combinable design with automatic programs and roast probe.



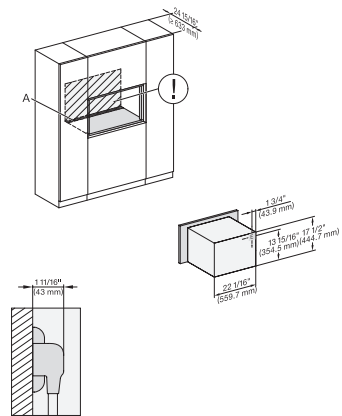
side view 30 inch Flush inset BM30, installation drawing, NA

7/8" – 22* mm – Glas, 15/16" – 23.3** mm – Edelstahl



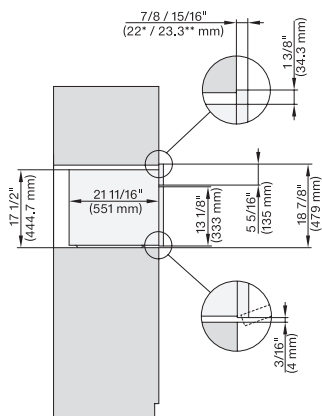
installation 30 inch Flush inset BM30, installation drawing, NA

7/8" – 22* mm – Glas, 15/16" – 23.3** mm – Edelstahl



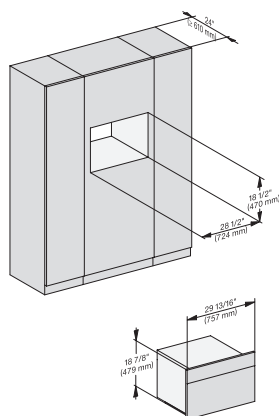
installation 30 inch Flush inset BM30, installation drawing, NA

A – Cut-out (4" x 28" / 100 mm x 720 mm) in the bottom of the cabinet for power cord and ventilation, – Electrical and water supplies are recommended to be placed in adjacent cabinetry., Additional cabinet depth is required when placing the electrical and water supplies behind the appliance., E = Electric connection



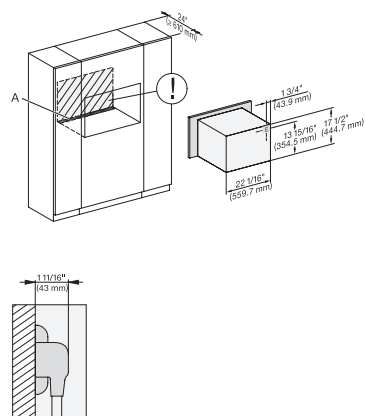
side view 30 inch Proud BM30, installation drawing, NA

7/8" – 22* mm – Glas, 15/16" – 23.3** mm – Edelstahl



installation 30 inch Proud BM30, installation drawing, NA

7/8" – 22* mm – Glas, 15/16" – 23.3** mm – Edelstahl



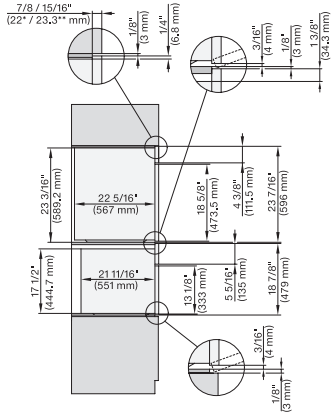
installation 30 inch Proud BM30, installation drawing, NA

A – Cut-out (4" x 28" / 100 mm x 720 mm) in the bottom of the cabinet for power cord and ventilation, – Electrical and water supplies are recommended to be placed in adjacent cabinetry., Additional cabinet depth is required when placing the electrical and water supplies behind the appliance., E = Electric connection

H 7870 BMX

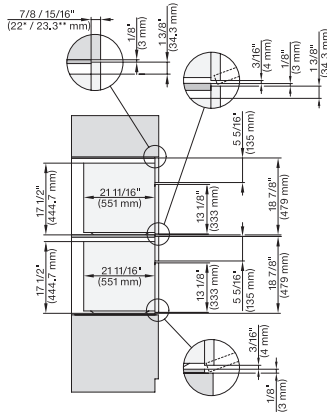
30" handleless compact speed oven

in a perfectly combinable design with automatic programs and roast probe.



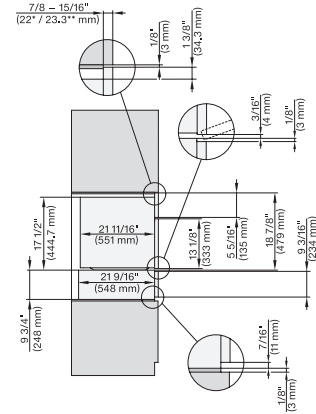
DGC 6x6x (AM) + EBA 6808, H 6x70 BM, DGC786x, EBA7868, H7xxx Combi, Installation drawing, Flush inset, NA

7/8" – 22* mm – Glas, 15/16" – 23.3** mm – Edelstahl



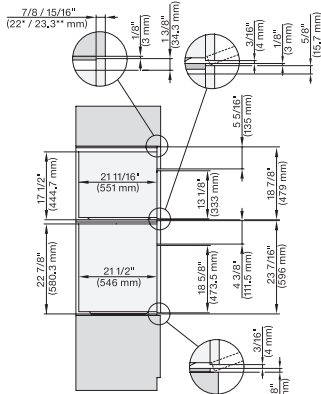
H 6x70 BM, H 7x70, Combi, Installation drawing, Flush inset, NA

7/8" – 22* mm – Glas, 15/16" – 23.3** mm – Edelstahl



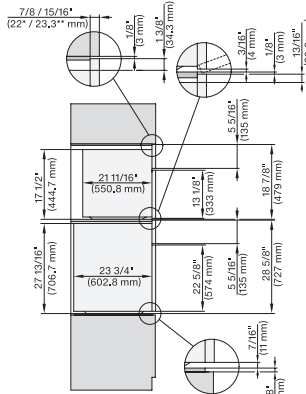
H 6x70 BM, ESW 6x85, H7x70, ESW 7x70, EVS 7670 Combi, Installation drawing, Flush inset, NA

7/8" – 22* mm – Glas, 15/16" – 23.3** mm – Edelstahl



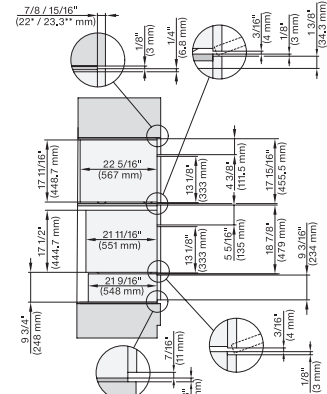
H 6560 B + EBA 6808, H 6x60 BP + EBA 6808, H 6x70 BM, DGC 7xxx, EBA 78x8, H 7xxx Combi, Installation drawing, Flush inset, NA

7/8" – 22* mm – Glas, 15/16" – 23.3** mm – Edelstahl



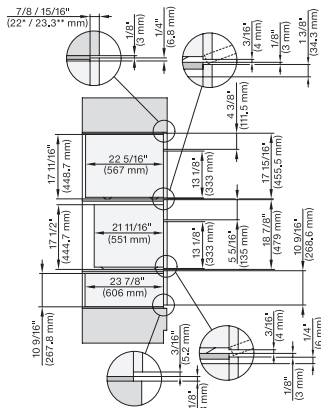
H 6x80 BP, H 6x70 BM, H 6x80-2BP, DGC 7x7x, H 7xxx Combi, Installation drawing, Flush inset, NA

7/8" – 22* mm – Glas, 15/16" – 23.3** mm – Edelstahl



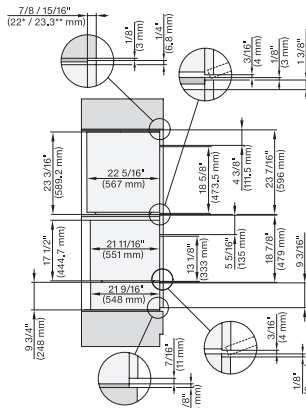
DGC 6x00-1+EBA 6808, H6x70, ESW6x85, DGC7xxx, EBA7848, H7xxx, ESW7x70, EVS7670 Combi, Installation drawing, Flush inset, NA

7/8" – 22* mm – Glas, 15/16" – 23.3** mm – Edelstahl



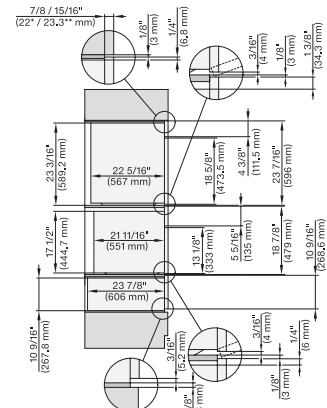
DGC 6x00-1+EBA 6808, H6x70 BM, ESW 6x80, DGC7xxx, EBA7848, H7x70, ESW7x80 Combi, Installation drawing, Flush inset, NA

7/8" – 22* mm – Glas, 15/16" – 23.3** mm – Edelstahl



DGC 6x6x (AM)+EBA 6808, H 6x70 BM, ESW 6x85, DGC786x, EBA7868, H 7x70, Exx7x70, Combi, Installation drawing, Flush inset, NA

7/8" – 22* mm – Glas, 15/16" – 23.3** mm – Edelstahl



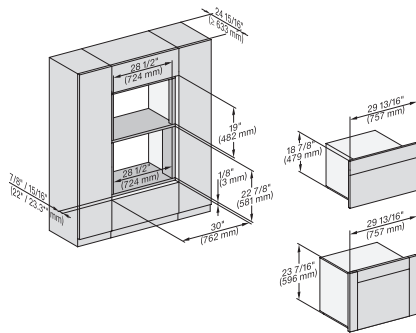
DGC 6x6x (AM)+EBA 6808, H 6x70 BM, ESW 6x80, DGC786x, EBA7868, H7x70, ESE7x80 Combi, Installation drawing, Flush inset, NA

7/8" – 22* mm – Glas, 15/16" – 23.3** mm – Edelstahl

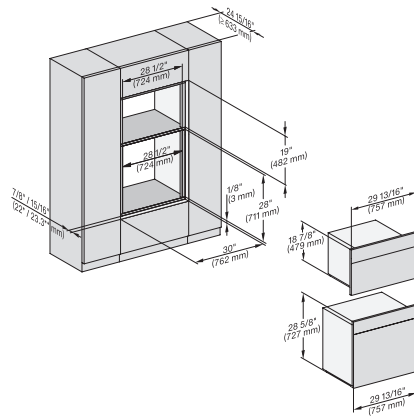
H 7870 BMX

30" handleless compact speed oven

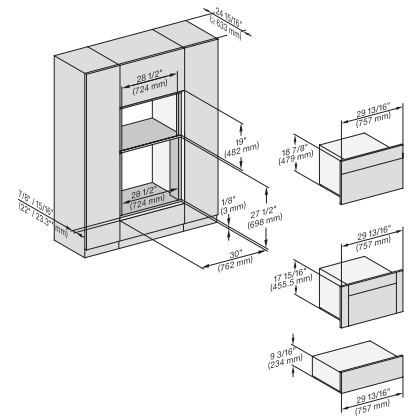
in a perfectly combinable design with automatic programs and roast probe.



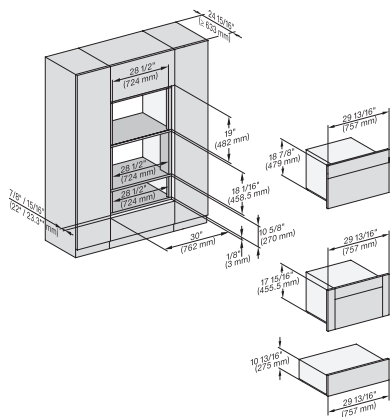
H 656x, H 6x60, DGC686x+EBA 6808, H 6x70, DGC 676x, DGC7x7x, EBA7868, H 7xxx, Fitti Combi, Install drawi, Flush inset, NA



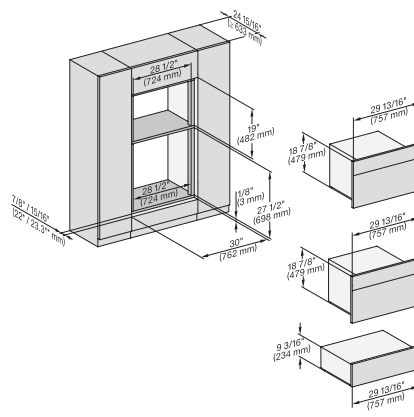
H 6x80 BP, H 6x70 BM, H 6x80-2BP, DGC7x7x, H7xxx Fitting Combi, Installation drawing, Flush inset, NA



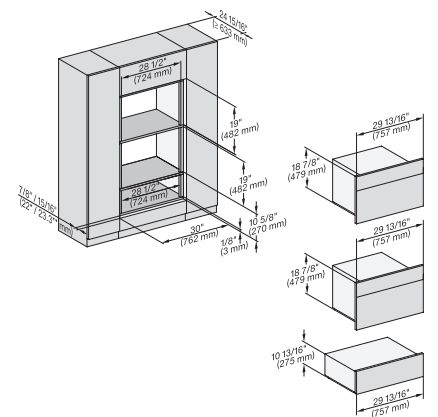
H 6x70, H 6x00+EBA6808, ESW6x85, DGC6x00-1, H7xxx, EBA7848, Exx7x70, Fitting Combi, Install drawing, Flush inset, NA



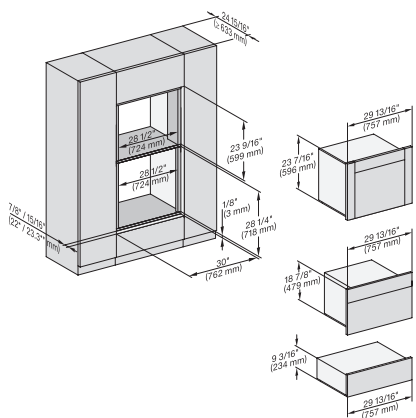
H 6x70, H 6x00+EBA 6808, ESW 6x80, DGC 6x00-1, H7xxx, EBA7848, ESW7x80 Fitting Combi, Install drawing, Flush inset, NA



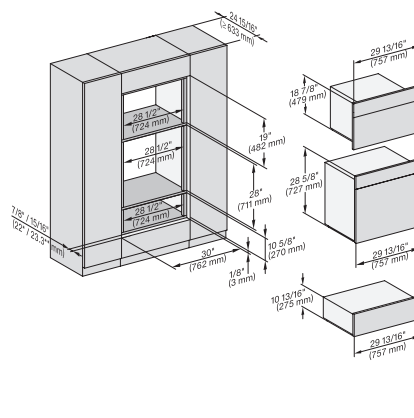
H 6x70 BM, ESW 6x85, H7x70, ESW 7x70, EVS7670 Fitting Combi, Installation drawing, Flush inset, NA



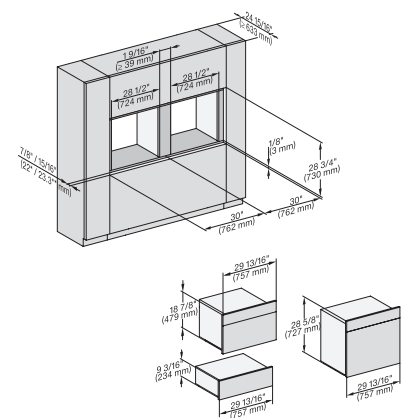
H 6x70 BM, ESW 6x80, H7x70, ESW 7x80 Fitting Combi, Installation drawing, Flush inset, NA



H 6x60 B/BP, DGC 686x AM+EBA 6808; H 6x70BM, ESW6x85, DGC 676x, DGC786x, EBA 7868, H7xxx, Exx 7x70 Install drawing, NA



H 6x80 BP, H 6x70 BM, ESW 6x80, H 6x80-2BP, DGC7xxx, H7xxxBM/BMX/BP/BPX, H2x80BP, ESW7x80, Installation drawing, NA

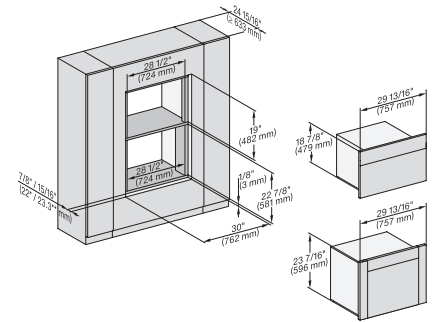
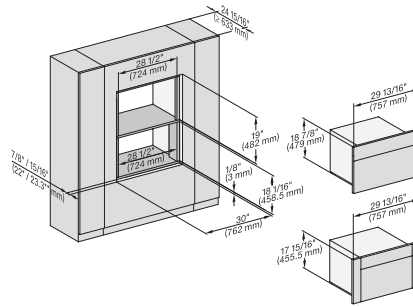
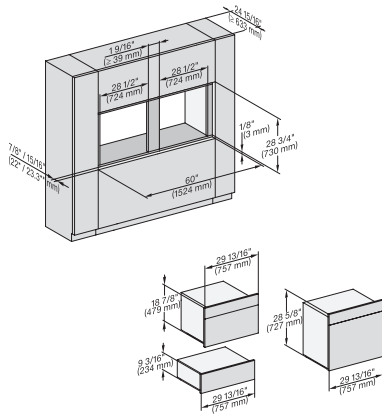


H 6x80BP, H 6x70 BM, ESW 6x85, H 6x80-2BP, H7xxx BM/BP/BPX, BMX, ESW7x70, EVS7670, Installation drawing, Flush inset, NA

H 7870 BMX

30" handleless compact speed oven

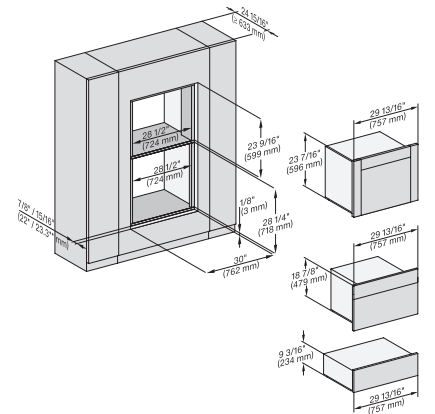
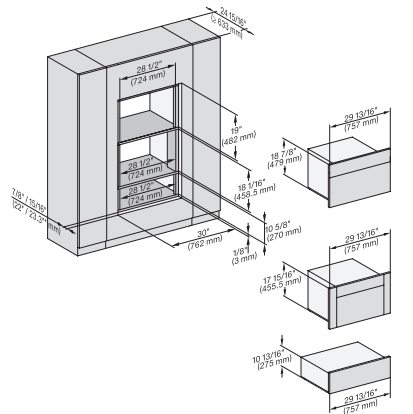
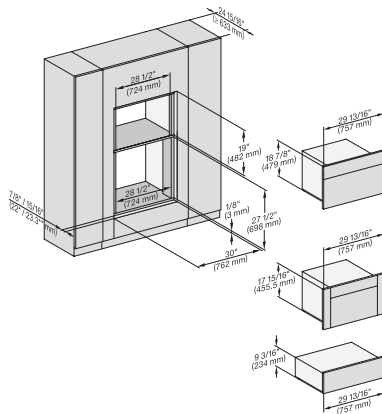
in a perfectly combinable design with automatic programs and roast probe.



H 6x80 BP, H 6x70 BM, ESW 6x85, H 6x80-2BP, H 7xxx BP/BM/BPX/BMX, EXX 7x70 Fitting Combi side by side without wall, NA

H 6x70 BM, H 6x00 BM + EBA 6808, DGC 6x00-1 + EBA 6808, H 7xxx BM/BMX, EBA 7848, Installation drawing, Flush inset, NA

H 6x60 B/BP, DGC 686x AM, EBA 6808; H 6x70 BM, DGC 676x, DGC 7xxx, H7xxxBP, EBA 7868 Installation drawing, Flush inset, NA



H 6x70 BM, H 6x00 BM, EBA 6808, ESW 6x85, DGC 6x00-1, H7xxx, EBA 7848, ESW 7x70, EVS 7670, Flush inset, NA

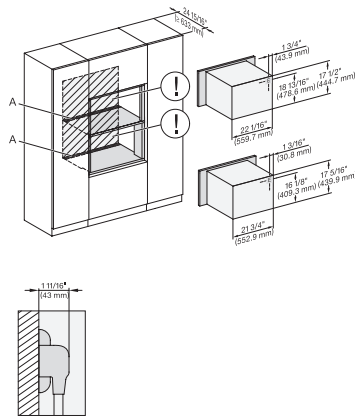
H 6x70 BM, H 6x00 BM + EBA 6808, ESW 6x80, DGC 6x00-1, H 77x BM/BMX, EBA 7848, ESW 7x80, Flush inset, NA

(H6560 B, H6x60 BP, H6x70 BM, DGC686x AM) + EBA6808; ESW6x85, DGC676x, DGC7xxx, EBA7868, H 7x70BM/BMX, ESW, EVS, NA

H 7870 BMX

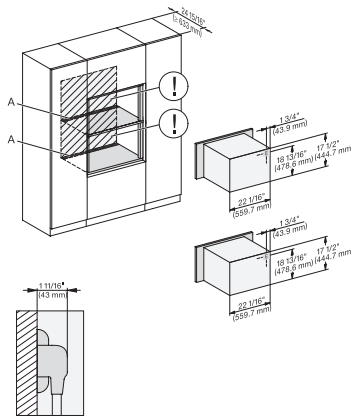
30" handleless compact speed oven

in a perfectly combinable design with automatic programs and roast probe.



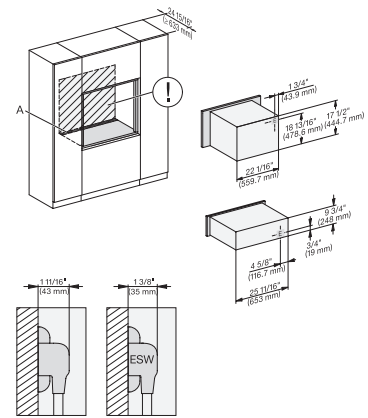
H 6x70 BM, H 6x00 BM + EBA 6808, H7xxx BM/BMX + EBA 7848 Installation Combi, Installation drawing, Flush inset, NA

A – Cut-out (4" x 28" / 100 mm x 720 mm) in the bottom of the cabinet for power cord and ventilation, – Electrical and water supplies are recommended to be placed in adjacent cabinetry, Additional cabinet depth is required when placing the electrical and water supplies behind the appliance, E = Electric connection



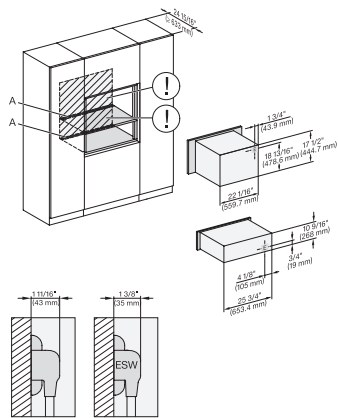
H 6x70 BM, H 7x70 BM/BMX Installation Combi, Installation drawing, Flush inset, NA

A – Cut-out (4" x 28" / 100 mm x 720 mm) in the bottom of the cabinet for power cord and ventilation, – Electrical and water supplies are recommended to be placed in adjacent cabinetry, Additional cabinet depth is required when placing the electrical and water supplies behind the appliance, E = Electric connection



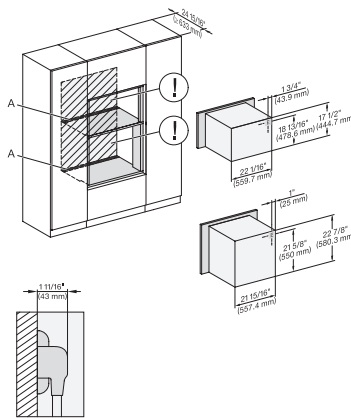
H 6x70 BM, ESW 6x85, H 7x70 BM/BMX, ESW 7x70, EVS 7670 Installation Combi, Installation drawing, Flush inset, NA

A – Cut-out (4" x 28" / 100 mm x 720 mm) in the bottom of the cabinet for power cord and ventilation, – Electrical and water supplies are recommended to be placed in adjacent cabinetry, Additional cabinet depth is required when placing the electrical and water supplies behind the appliance, E = Electric connection



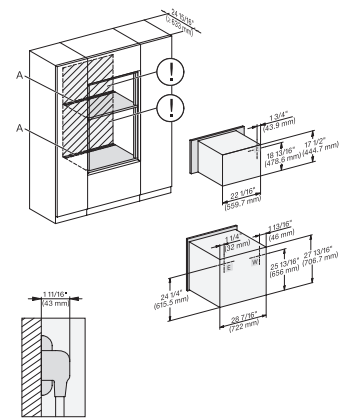
H 6x70 BM, ESW 6x80, H 7x70 BM/BMX, ESW 7x80 Installation Combi, Installation drawing, Flush inset, NA

A – Cut-out (4" x 28" / 100 mm x 720 mm) in the bottom of the cabinet for power cord and ventilation, – Electrical and water supplies are recommended to be placed in adjacent cabinetry, Additional cabinet depth is required when placing the electrical and water supplies behind the appliance, E = Electric connection



H 6560B, EBA 6808, H 6x60BP, H 6x70BM, H 7xxxBM/BMX, EBA 7868 Installation Combi, Installation drawing, Flush inset, NA

A – Cut-out (4" x 28" / 100 mm x 720 mm) in the bottom of the cabinet for power cord and ventilation, – Electrical and water supplies are recommended to be placed in adjacent cabinetry, Additional cabinet depth is required when placing the electrical and water supplies behind the appliance, E = Electric connection



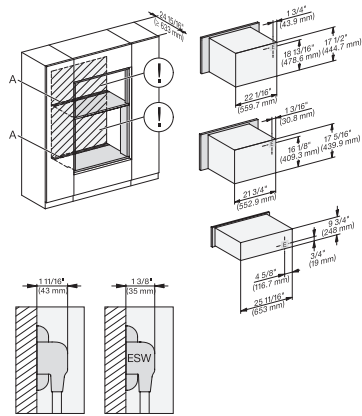
H 6x80 BP, H 6x70 BM, H 6x80-2BP, H 7xxx BM/BMX/BP/BPX, H 2x90BP Installation drawing, Flush inset, NA

A – Cut-out (4" x 28" / 100 mm x 720 mm) in the bottom of the cabinet for power cord and ventilation, – Electrical and water supplies are recommended to be placed in adjacent cabinetry, Additional cabinet depth is required when placing the electrical and water supplies behind the appliance, E = Electric connection

H 7870 BMX

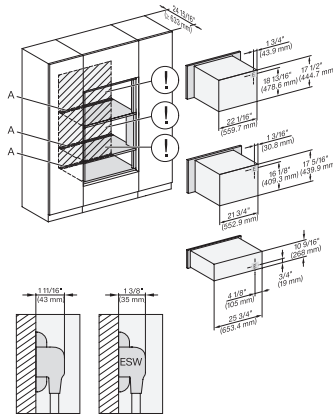
30" handleless compact speed oven

in a perfectly combinable design with automatic programs and roast probe.



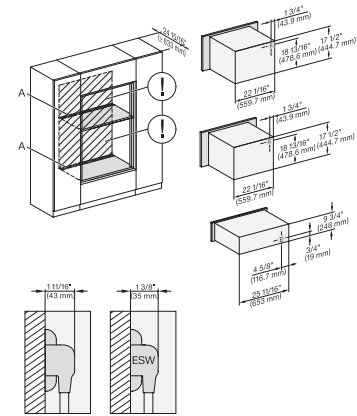
H 6x70 BM, H 6x00 BM + EBA 6808, ESW 6x85, H7xxxBM/BMX, EBA 7848, ESW 7x70, EVS7670 Installation drawing, Flush inset, NA

A – Cut-out (4" x 28" / 100 mm x 720 mm) in the bottom of the cabinet for power cord and ventilation, – Electrical and water supplies are recommended to be placed in adjacent cabinetry, Additional cabinet depth is required when placing the electrical and water supplies behind the appliance, E = Electric connection



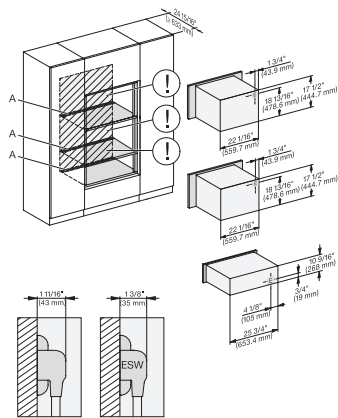
H 6x70 BM, H 6x00 BM + EBA 6808, ESW 6x80, H 7xxxBM/BMX, EBA 7848, ESW 7x80, Installation drawing, Flush inset, NA

A – Cut-out (4" x 28" / 100 mm x 720 mm) in the bottom of the cabinet for power cord and ventilation, – Electrical and water supplies are recommended to be placed in adjacent cabinetry, Additional cabinet depth is required when placing the electrical and water supplies behind the appliance, E = Electric connection



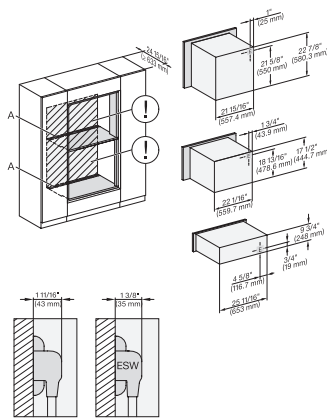
H 6x70 BM, ESW 6x85, H7x70 BM/BMX, ESW 7x70, EVS 7670 Installation Combi, Installation drawing, Flush inset, NA

A – Cut-out (4" x 28" / 100 mm x 720 mm) in the bottom of the cabinet for power cord and ventilation, – Electrical and water supplies are recommended to be placed in adjacent cabinetry, Additional cabinet depth is required when placing the electrical and water supplies behind the appliance, E = Electric connection



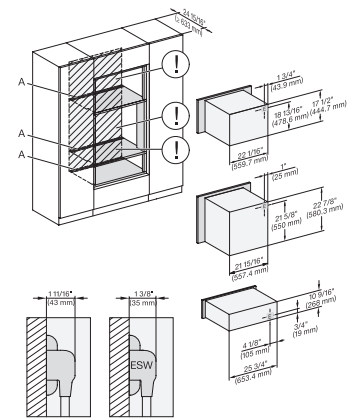
H 6x70 BM, ESW 6x80, H 7x70BM/BMX, ESW 7x80 Installation Combi, Installation drawing, Flush inset, NA

A – Cut-out (4" x 28" / 100 mm x 720 mm) in the bottom of the cabinet for power cord and ventilation, – Electrical and water supplies are recommended to be placed in adjacent cabinetry, Additional cabinet depth is required when placing the electrical and water supplies behind the appliance, E = Electric connection



H 6x60 B/BP, EBA 6808, H 6x70 BM, ESW 6x85, H7xxxBP/BM/BMX, ESW7x70, EVS7670 Installation drawing, Flush inset, NA

A – Cut-out (4" x 28" / 100 mm x 720 mm) in the bottom of the cabinet for power cord and ventilation, – Electrical and water supplies are recommended to be placed in adjacent cabinetry, Additional cabinet depth is required when placing the electrical and water supplies behind the appliance, E = Electric connection



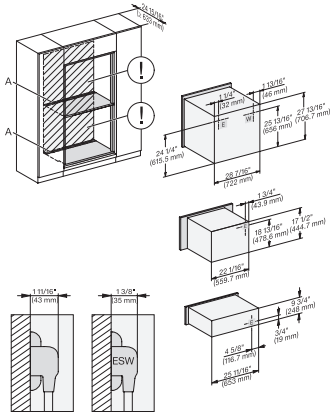
H 6x60 B/BP + EBA 6808, H 6x70 BM, ESW 6x80, H 7xxxBP/BM/BMX, EBA 7868, ESW 7x80 Installation drawing, Flush inset, NA

A – Cut-out (4" x 28" / 100 mm x 720 mm) in the bottom of the cabinet for power cord and ventilation, – Electrical and water supplies are recommended to be placed in adjacent cabinetry, Additional cabinet depth is required when placing the electrical and water supplies behind the appliance, E = Electric connection

H 7870 BMX

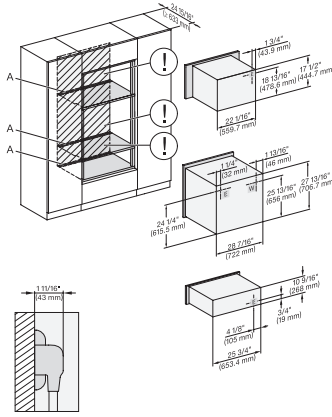
30" handleless compact speed oven

in a perfectly combinable design with automatic programs and roast probe.



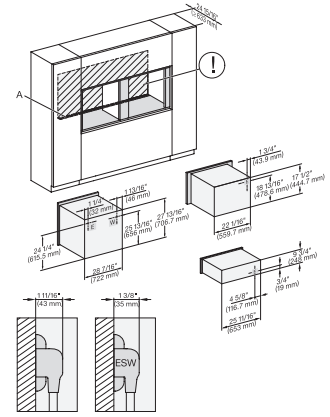
H 6x80 BP, H 6x70 BM, ESW 6x85, H 6x80-2BP, H2880BP, H7xxxBP/BPX/BM/BMX, Exx7670, Installation drawing, Flush inset, NA

A – Cut-out (4" x 28" / 100 mm x 720 mm) in the bottom of the cabinet for power cord and ventilation, – Electrical and water supplies are recommended to be placed in adjacent cabinetry, Additional cabinet depth is required when placing the electrical and water supplies behind the appliance, E = Electric connection



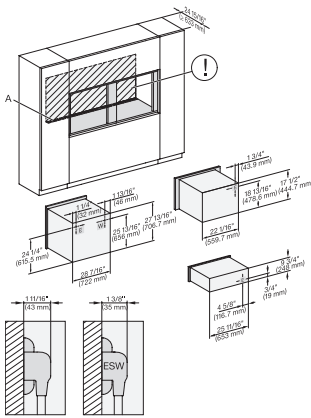
H 6x80BP, H 6x70 BM, ESW 6x80, H 6x80-2BP, H 2880BP, H 7xxxBP/BPX/BM/BMX, ESW 7x80 Installation drawing, Flush inset, NA

A – Cut-out (4" x 28" / 100 mm x 720 mm) in the bottom of the cabinet for power cord and ventilation, – Electrical and water supplies are recommended to be placed in adjacent cabinetry, Additional cabinet depth is required when placing the electrical and water supplies behind the appliance, E = Electric connection



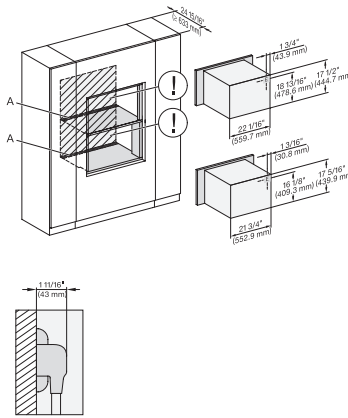
H 6x80BP, H 6x70BM, ESW 6x85, H 6x80-2BP, H2x80BP, H 7x80BP/BPX, ESW 7x70, EVS7670, Install. drawing, Flush inset, NA

A – Cut-out (4" x 28" / 100 mm x 720 mm) in the bottom of the cabinet for power cord and ventilation, – Electrical and water supplies are recommended to be placed in adjacent cabinetry, Additional cabinet depth is required when placing the electrical and water supplies behind the appliance, E = Electric connection



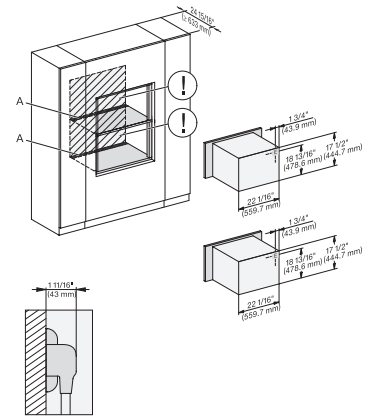
H 6x80 BP, H 6x70 BM, ESW 6x85, H 6x80-2BP, H 2x80BP, H 7x80BP/BPX, ESW 7x70, EVS 7670, drawing, Flush inset, NA

A – Cut-out (4" x 28" / 100 mm x 720 mm) in the bottom of the cabinet for power cord and ventilation, – Electrical and water supplies are recommended to be placed in adjacent cabinetry, Additional cabinet depth is required when placing the electrical and water supplies behind the appliance, E = Electric connection



H 6x70 BM, H 6x00 BM + EBA 6808, H7xxxBM/BMX, EBA 7848, Installation drawing, Flush inset, NA

A – Cut-out (4" x 28" / 100 mm x 720 mm) in the bottom of the cabinet for power cord and ventilation, – Electrical and water supplies are recommended to be placed in adjacent cabinetry, Additional cabinet depth is required when placing the electrical and water supplies behind the appliance, E = Electric connection



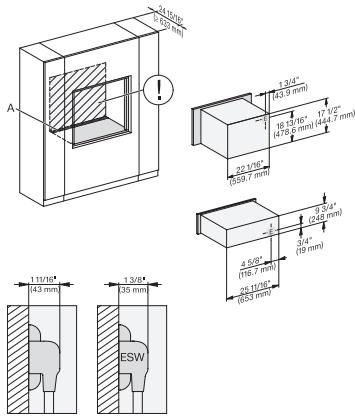
H 6x70 BM, H 7x70BM/BMX Installation Combi wide front, Installation drawing, Flush inset, NA

A – Cut-out (4" x 28" / 100 mm x 720 mm) in the bottom of the cabinet for power cord and ventilation, – Electrical and water supplies are recommended to be placed in adjacent cabinetry, Additional cabinet depth is required when placing the electrical and water supplies behind the appliance, E = Electric connection

H 7870 BMX

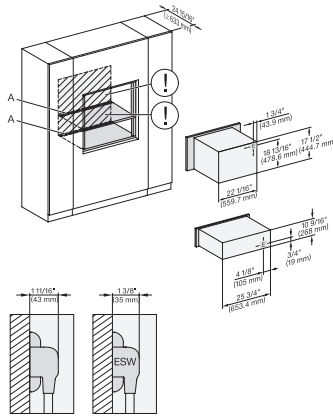
30" handleless compact speed oven

in a perfectly combinable design with automatic programs and roast probe.



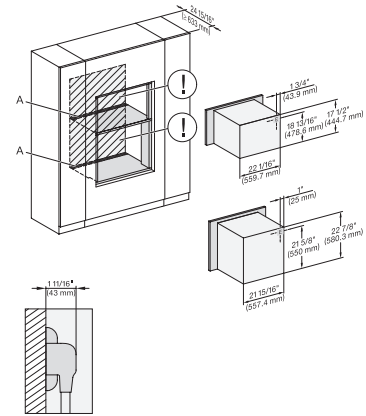
H 6x70 BM, ESW 6x85, H 7x70BM/BMX, ESW 7x70, EVS 7670, Installation drawing, Flush inset, NA

A – Cut-out (4" x 28" / 100 mm x 720 mm) in the bottom of the cabinet for power cord and ventilation, – Electrical and water supplies are recommended to be placed in adjacent cabinetry, Additional cabinet depth is required when placing the electrical and water supplies behind the appliance., E = Electric connection



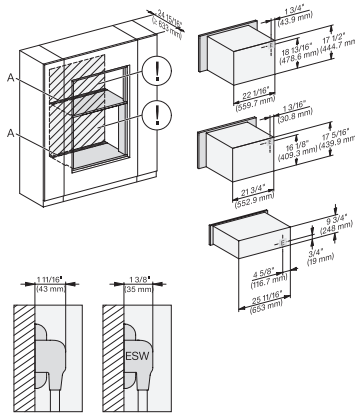
H 6x70 BM, ESW 6x80, H 7x70BM/BMX, ESW 7x80, Installation Combi wide front, Installation drawing, Flush inset, NA

A – Cut-out (4" x 28" / 100 mm x 720 mm) in the bottom of the cabinet for power cord and ventilation, – Electrical and water supplies are recommended to be placed in adjacent cabinetry, Additional cabinet depth is required when placing the electrical and water supplies behind the appliance., E = Electric connection



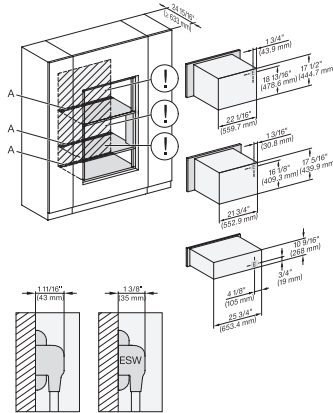
H 6560 B + EBA 6808, H 6x60 BP, H 6x70 BM, H 7xxxBM/BP/BMX, EBA 7868 Installation drawing, Flush inset, NA

A – Cut-out (4" x 28" / 100 mm x 720 mm) in the bottom of the cabinet for power cord and ventilation, – Electrical and water supplies are recommended to be placed in adjacent cabinetry, Additional cabinet depth is required when placing the electrical and water supplies behind the appliance., E = Electric connection



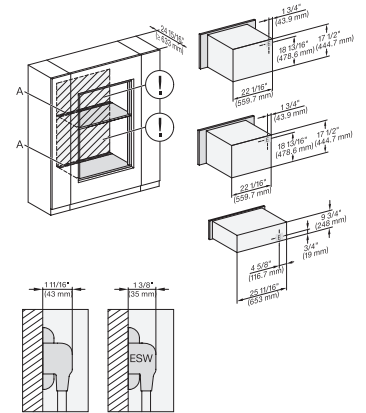
H 6x70BM, H 6x00BM, EBA 6808, ESW 6x85, H 7xxx BM/BMX, EBA 7848, ESW 7x70, EVS 7670 Installation drawing, Flush inset, NA

A – Cut-out (4" x 28" / 100 mm x 720 mm) in the bottom of the cabinet for power cord and ventilation, – Electrical and water supplies are recommended to be placed in adjacent cabinetry, Additional cabinet depth is required when placing the electrical and water supplies behind the appliance., E = Electric connection



H 6x70 BM, H 6x00 BM + EBA 6808, ESW 6x80, H 7xxx BM/BMX, EBA 7848, ESW 7x80, Installation drawing, Flush inset, NA

A – Cut-out (4" x 28" / 100 mm x 720 mm) in the bottom of the cabinet for power cord and ventilation, – Electrical and water supplies are recommended to be placed in adjacent cabinetry, Additional cabinet depth is required when placing the electrical and water supplies behind the appliance., E = Electric connection



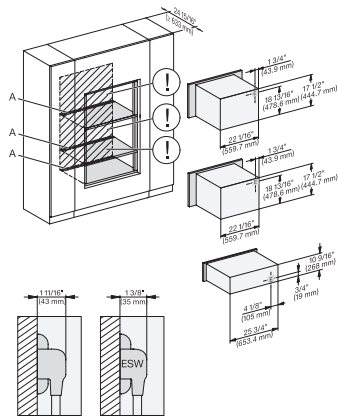
H 6x70 BM, ESW 6x85, H 7x70 BM/BMX, ESW 7x70, EVS 7670, Installation drawing, Flush inset, NA

A – Cut-out (4" x 28" / 100 mm x 720 mm) in the bottom of the cabinet for power cord and ventilation, – Electrical and water supplies are recommended to be placed in adjacent cabinetry, Additional cabinet depth is required when placing the electrical and water supplies behind the appliance., E = Electric connection

H 7870 BMX

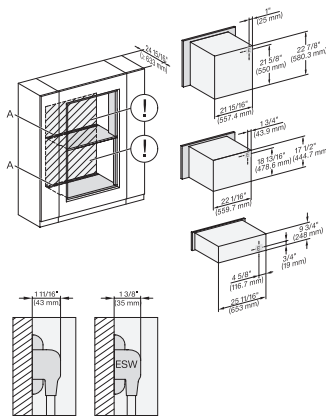
30" handleless compact speed oven

in a perfectly combinable design with automatic programs and roast probe.



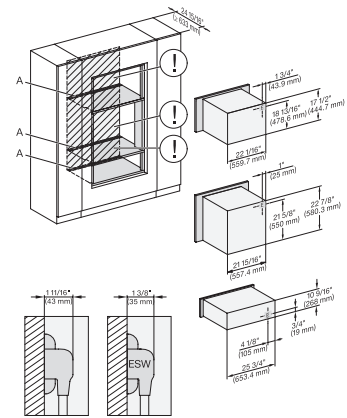
H 6x70 BM, ESW 6x80, H 7x70 BM/BMX, ESW 7x80, Installation drawing, Flush inset, NA

A – Cut-out (4" x 28" / 100 mm x 720 mm) in the bottom of the cabinet for power cord and ventilation, – Electrical and water supplies are recommended to be placed in adjacent cabinetry, Additional cabinet depth is required when placing the electrical and water supplies behind the appliance., E = Electric connection



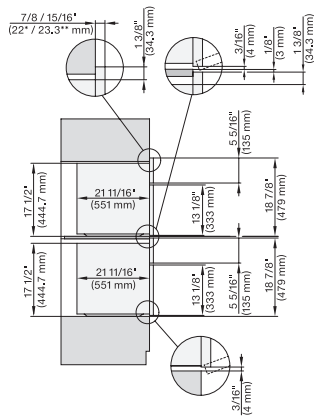
H 6560 B + EBA 6808, H 6x60 BP + EBA 6808, H 6x70 BM, ESW 6x85, H 7xxx BP/BM/BMX, EBA 7868, Exx 7x70, Flush inset, NA

A – Cut-out (4" x 28" / 100 mm x 720 mm) in the bottom of the cabinet for power cord and ventilation, – Electrical and water supplies are recommended to be placed in adjacent cabinetry, Additional cabinet depth is required when placing the electrical and water supplies behind the appliance., E = Electric connection



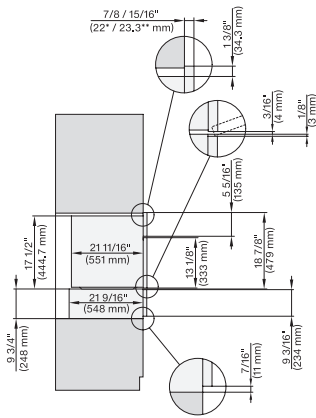
H 6560 B + EBA 6808, H 6x60 BP + EBA 6808, H 6x70 BM, ESW 6x80, H 7xxx BP/BM/BMX, EBA 7868, ESW 7x80, Flush inset, NA

A – Cut-out (4" x 28" / 100 mm x 720 mm) in the bottom of the cabinet for power cord and ventilation, – Electrical and water supplies are recommended to be placed in adjacent cabinetry, Additional cabinet depth is required when placing the electrical and water supplies behind the appliance., E = Electric connection



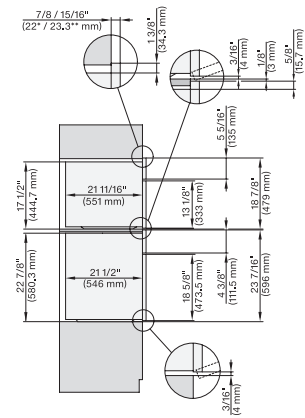
H 6x70 BM, H7x70BM(X), Combi, Installation drawing, Proud, NA

7/8" – 22* mm – Glas, 15/16" – 23.3** mm – Edelstahl



H 6x70 BM, ESW 6x85, H7x70BM(X), ESW7x70, EVS7670, Combi, Installation drawing, Proud, NA

7/8" – 22* mm – Glas, 15/16" – 23.3** mm – Edelstahl



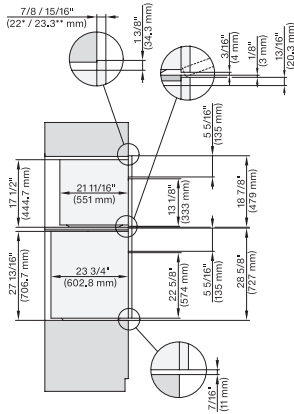
H6560B + EBA6808, H6x60BP + EBA6808, H6x70BM, DGC7xxxx+EBA7484, H7xxx+EBA7686, Combi, Installation drawing, Proud, NA

7/8" – 22* mm – Glas, 15/16" – 23.3** mm – Edelstahl

H 7870 BMX

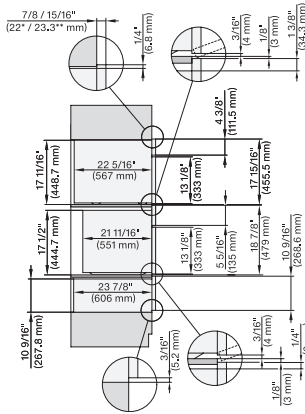
30" handleless compact speed oven

in a perfectly combinable design with automatic programs and roast probe.



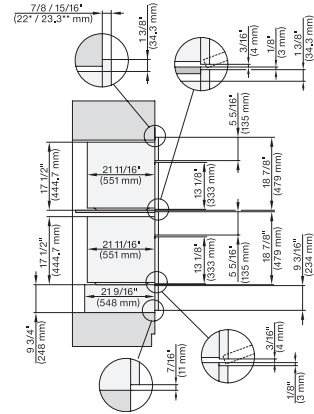
H 6x80 BP, H 6x70 BM, H 6x80-2BP, DGC7x7x, H7x70BM, H7x80BPX, Combi, Installation drawing, Proud, NA

7/8" – 22* mm – Glas, 15/16" – 23.3** mm – Edelstahl



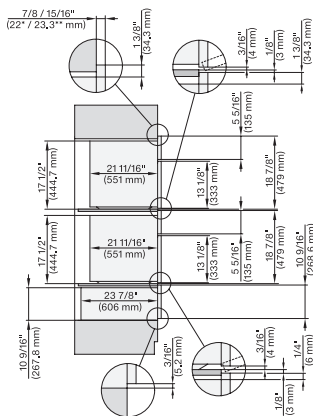
DGC 6x00-1 + EBA 6808, H 6x70 BM, ESW 6x80, DGC7x40+EBA7848, H7x70BM(X), ESW7x80, Combi, Installation drawing, Proud, NA

7/8" – 22* mm – Glas, 15/16" – 23.3** mm – Edelstahl



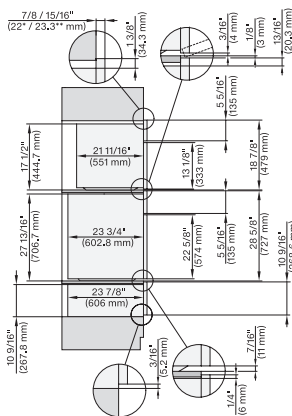
H6x70BM, ESW6x85, DGC7x7x, H7x70BM, ESW7x70, EVS7670, Combi, Installation drawing, Proud, Flush inset, NA

7/8" – 22* mm – Glas, 15/16" – 23.3** mm – Edelstahl



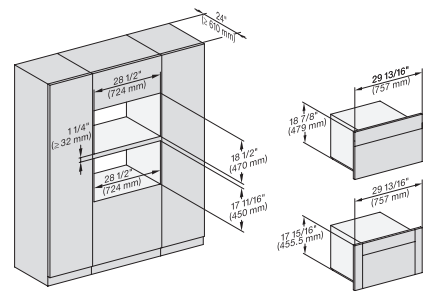
H6x70BM, ESW6x80, DGC7x7x(X), H7x70BM, ESW7x80, Combi, Installation drawing, Proud, Flush inset, NA

7/8" – 22* mm – Glas, 15/16" – 23.3** mm – Edelstahl

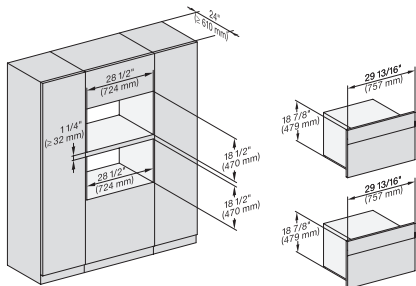


H6x80(2)BP, H6x70BM, ESW6x80, DGC7x7x(X), H7x70BM(X), H7x80BP, ESW7x80, Combi, Installation drawing, Proud, Flush inset,

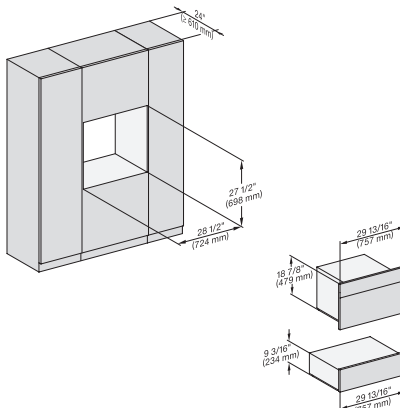
7/8" – 22* mm – Glas, 15/16" – 23.3** mm – Edelstahl



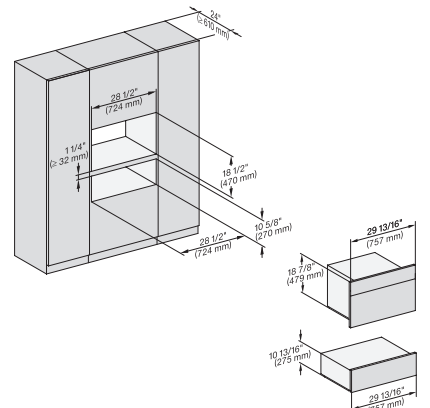
H6x70BM, (H6x00BM, DGC6x00-1) + EBA6808, H7x70BM(X), H7x40BM+EBA7848, Fitting Combi, Installation drawing, Proud, NA



H 6x70 BM, H7x70BM(X), Fitting Combi, Installation drawing, Proud, NA



H6x70BM, ESW6x85, DGC7x7x, H7x70BMX, ESW7x70, EVS7x70, Fitting Combi, Installation drawing, Proud, NA

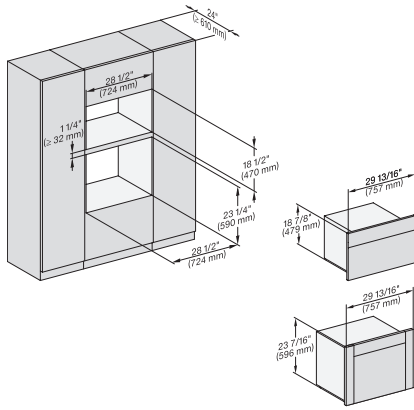


H 6x70 BM, ESW 6x80, DGC7x70X, H7x70BM, ESW7x80, Fitting Combi, Installation drawing, Proud, NA

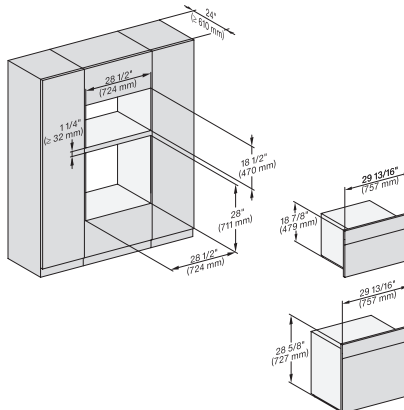
H 7870 BMX

30" handleless compact speed oven

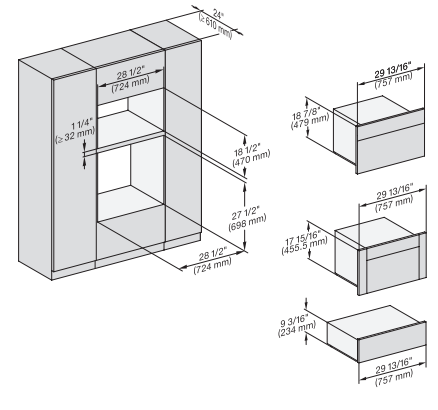
in a perfectly combinable design with automatic programs and roast probe.



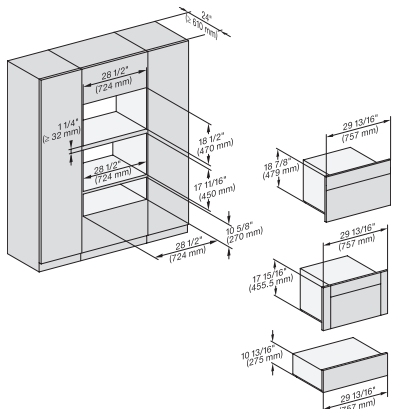
(H6560B,H6x60BP,DGC686xAM)+EBA6808,H6x70 BM,DGC676x,DGC7x70,H7x6BP+EBA7868, Fitting Combi, Installation, Proud, NA



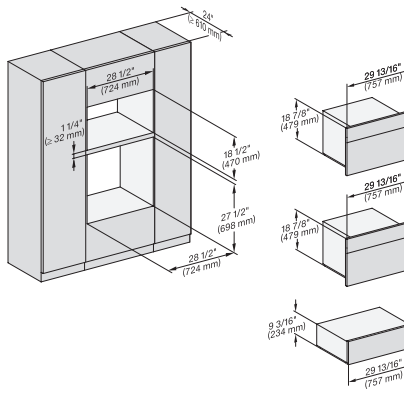
H6x80BP, H6x70BM, H6x80-2BP, DGC7x7x, H7x70BM, H2x80BP, H7x80BP(X), Fitting Combi, Installation drawing, Proud, NA



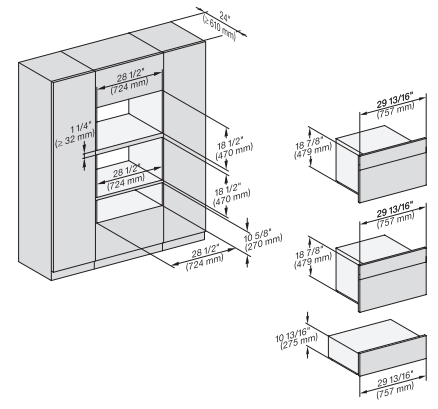
H6x70BM, (H6x00BM, DGC6x00-1)+EBA6808, ESW6x85, H7x70BM, H7x40BM+EBA7848, ESW7x70, Fitting Combi, Installation, Proud



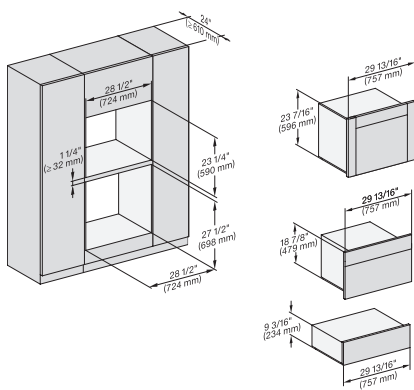
H6x70BM, (H6x00BM, DGC6x00-1)+EBA 6808, ESW6x80, H7x70BM, H7x40BM+EBA7848, ESW7x80, Fitting Combi, Installation, Proud,



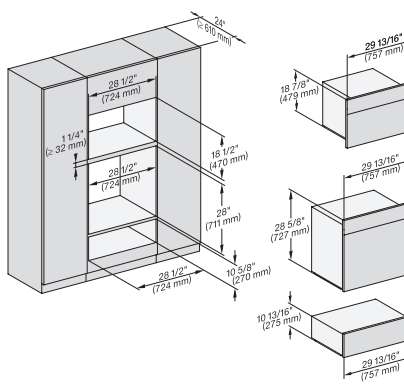
H6x70BM, ESW6x85, H7x70BM, ESW7x70, EVS7670, Fitting Combi, Installation drawing, Proud, NA



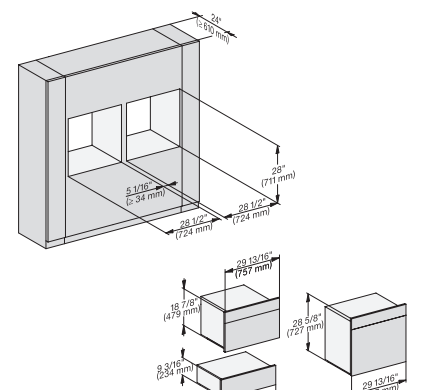
H 6x70 BM, ESW 6x80, H7x70BM, ESW7x80, Fitting Combi, Installation drawing, Proud, NA



(H 6560 B, H 6x60 BP, DGC 686x AM) + EBA 6808; H 6x70 BM, ESW 6x85, NA7000, Fitting Combi, Installation drawing, Proud



H 6x80 BP, H 6x70 BM, ESW 6x80, H 6x80-2BP, NA7000 Fitting Combi, Installation drawing, Proud, NA



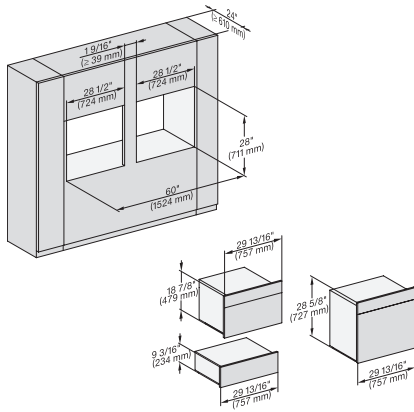
H 6x80 BP, H 6x70 BM, ESW 6x85, H 6x80-2BP, NA7000, Fitting Combi side by side, Installation drawing, Proud, NA

<https://miele-mms.de.miele.net/mms/admin/forward.php#>

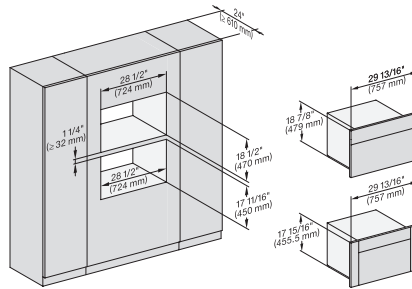
H 7870 BMX

30" handleless compact speed oven

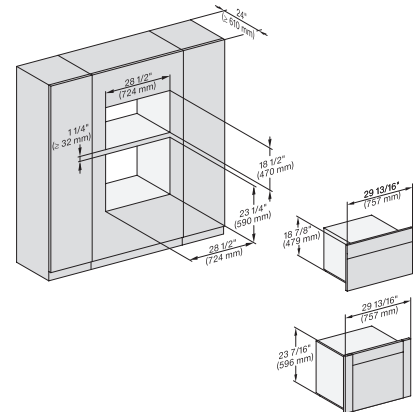
in a perfectly combinable design with automatic programs and roast probe.



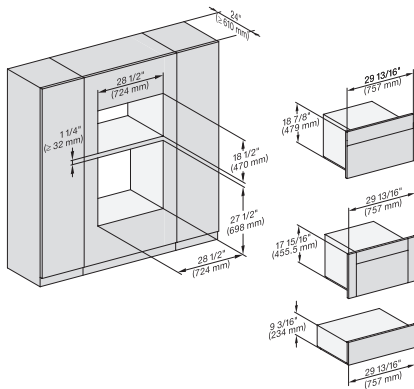
H6x80BP, H6x70BM, ESW6x85, H6x80-2BP, NA7000, Fitting Combi side by side without wall, Installation drawing, Proud, NA



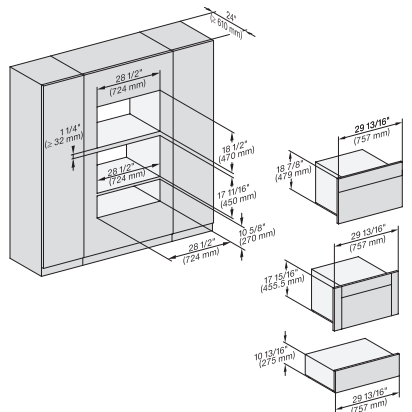
H6x70BM, (H6x00BM, DGC6x00-1) + EBA6808, H7xxxBM(+EBA7848), Fitting Combi wide front, Installation drawing, Proud, NA



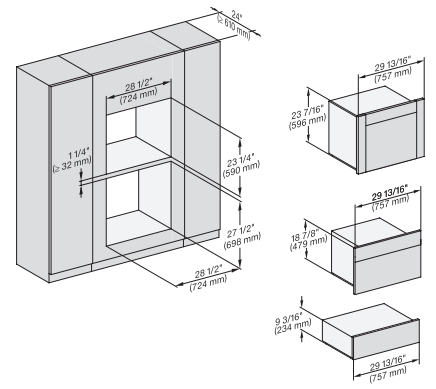
(H6560B, H6x60BP, DGC686xAM) + EBA6808; H6x70BM, DGC676x, NA7000, Fitting Combi wide front, Installation drawing, Proud



H6x70BM, H6x00BM + EBA6808, ESW6x85, DGC6x00-1 + EBA6808, NA7000 Fitting Combi wide front, Installation drawing, Proud



H6x70BM, H6x00BM + EBA6808, ESW6x80, DGC6x00-1 + EBA6808, NA7000 Fitting Combi wide front, Installation drawing, Proud

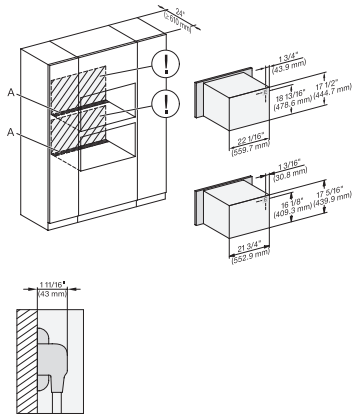


(H6560 B, H6x60 BP, H6x70 BM, DGC686x AM) + EBA6808; ESW6x85, DGC676x, NA7000, Fitting Combi w. front, drawing, Proud

H 7870 BMX

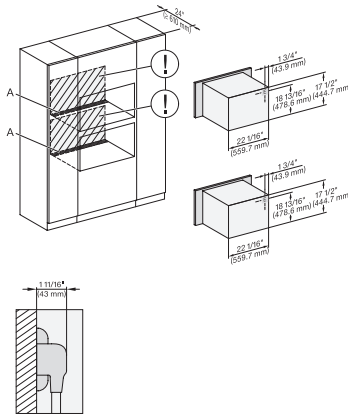
30" handleless compact speed oven

in a perfectly combinable design with automatic programs and roast probe.



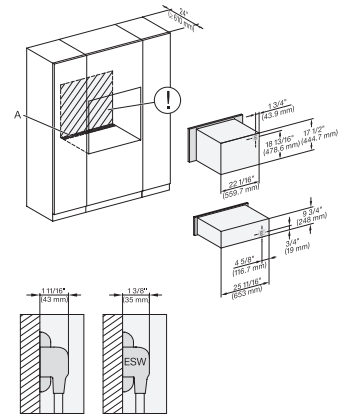
H 6x70 BM, H 6x00 BM + EBA 6808, H7x40 BM(+EBA7848), Installation Combi, Installation drawing, Proud, NA

A – Cut-out (4" x 28" / 100 mm x 720 mm) in the bottom of the cabinet for power cord and ventilation, – Electrical and water supplies are recommended to be placed in adjacent cabinetry, Additional cabinet depth is required when placing the electrical and water supplies behind the appliance, E = Electric connection



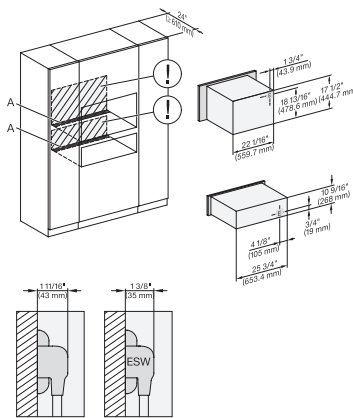
H 6x70 BM, H7x70BM(X), Installation Combi, Installation drawing, Proud, NA

A – Cut-out (4" x 28" / 100 mm x 720 mm) in the bottom of the cabinet for power cord and ventilation, – Electrical and water supplies are recommended to be placed in adjacent cabinetry, Additional cabinet depth is required when placing the electrical and water supplies behind the appliance, E = Electric connection



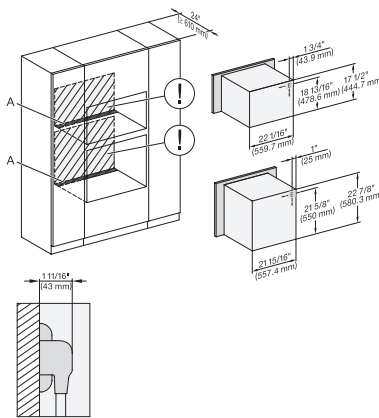
H 6x70 BM, ESW 6x85, H7x70BM(X), ESW7x70, EVS7670, Installation Combi, Installation drawing, Proud, NA

A – Cut-out (4" x 28" / 100 mm x 720 mm) in the bottom of the cabinet for power cord and ventilation, – Electrical and water supplies are recommended to be placed in adjacent cabinetry, Additional cabinet depth is required when placing the electrical and water supplies behind the appliance, E = Electric connection



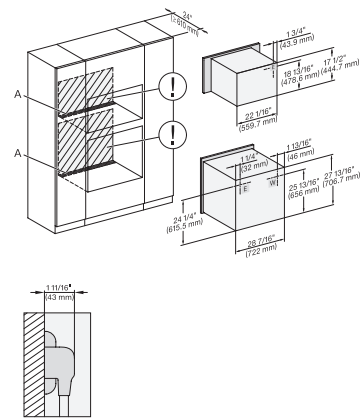
H 6x70 BM, ESW 6x80, H7x70BM(X), ESW7x80, Installation Combi, Installation drawing, Proud, NA

A – Cut-out (4" x 28" / 100 mm x 720 mm) in the bottom of the cabinet for power cord and ventilation, – Electrical and water supplies are recommended to be placed in adjacent cabinetry, Additional cabinet depth is required when placing the electrical and water supplies behind the appliance, E = Electric connection



H6560B + EBA6808, H6x60BP + EBA6808, H6x70BM, H7x70BM, H7x6xBP+EBA7868, Installation Combi, Installation drawing, Proud,

A – Cut-out (4" x 28" / 100 mm x 720 mm) in the bottom of the cabinet for power cord and ventilation, – Electrical and water supplies are recommended to be placed in adjacent cabinetry, Additional cabinet depth is required when placing the electrical and water supplies behind the appliance, E = Electric connection



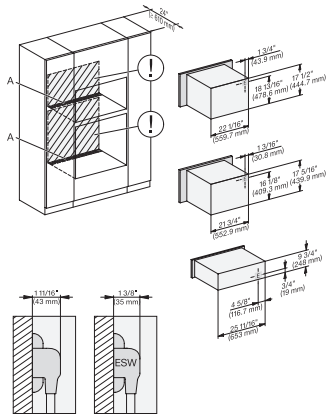
H 6x80 BP, H 6x70 BM, H 6x80-2BP, Hx70BM, H2x80BP(X), H7x80BP(X), Installation Combi, Installation drawing, Proud, NA

A – Cut-out (4" x 28" / 100 mm x 720 mm) in the bottom of the cabinet for power cord and ventilation, – Electrical and water supplies are recommended to be placed in adjacent cabinetry, Additional cabinet depth is required when placing the electrical and water supplies behind the appliance, E = Electric connection

H 7870 BMX

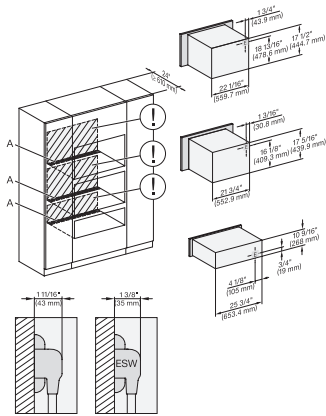
30" handleless compact speed oven

in a perfectly combinable design with automatic programs and roast probe.



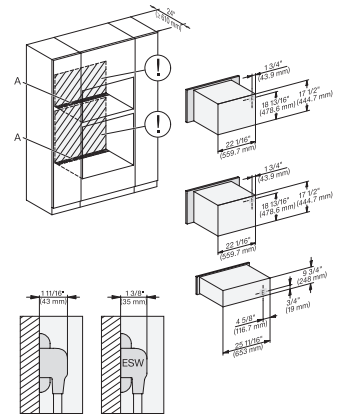
H6xx0BM+EBA6808, ESW6x85,
H7xx0BM(+EBA7848), ESW7x70, EVS7x70, Installation Combi, Installation drawing, Proud, NA

A – Cut-out (4" x 28" / 100 mm x 720 mm) in the bottom of the cabinet for power cord and ventilation, – Electrical and water supplies are recommended to be placed in adjacent cabinetry, Additional cabinet depth is required when placing the electrical and water supplies behind the appliance, E = Electric connection



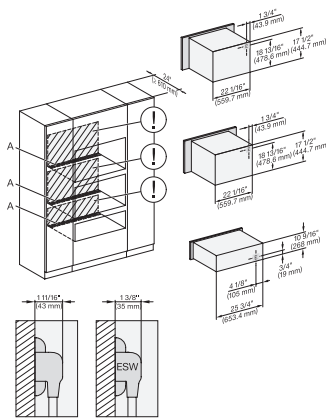
H 6x70 BM, H 6x00 BM + EBA 6808, ESW 6x80,
H7xx0BM(+EBA7848) ESW7x80 Installation Combi, Installation drawing, Proud, NA

A – Cut-out (4" x 28" / 100 mm x 720 mm) in the bottom of the cabinet for power cord and ventilation, – Electrical and water supplies are recommended to be placed in adjacent cabinetry, Additional cabinet depth is required when placing the electrical and water supplies behind the appliance, E = Electric connection



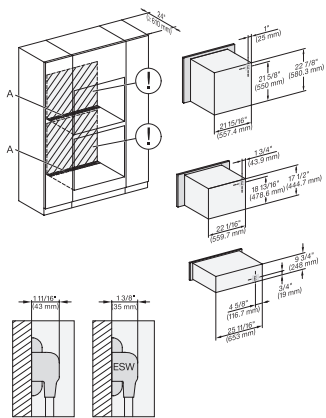
H 6x70 BM, ESW 6x85, H7x70BM, ESW7x70, EVS7670, Installation Combi, Installation drawing, Proud, NA

A – Cut-out (4" x 28" / 100 mm x 720 mm) in the bottom of the cabinet for power cord and ventilation, – Electrical and water supplies are recommended to be placed in adjacent cabinetry, Additional cabinet depth is required when placing the electrical and water supplies behind the appliance, E = Electric connection



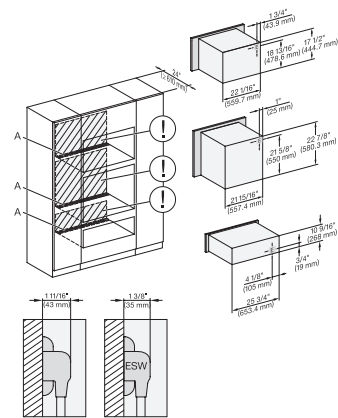
H 6x70 BM, ESW 6x80, H7x70BM, ESW7x80, Installation Combi, Installation drawing, Proud, NA

A – Cut-out (4" x 28" / 100 mm x 720 mm) in the bottom of the cabinet for power cord and ventilation, – Electrical and water supplies are recommended to be placed in adjacent cabinetry, Additional cabinet depth is required when placing the electrical and water supplies behind the appliance, E = Electric connection



H 6560 B + EBA 6808, H 6x60 BP + EBA 6808, H 6x70BM, ESW6x85, NA7000 Installation Combi, Installation drawing, Proud, NA

A – Cut-out (4" x 28" / 100 mm x 720 mm) in the bottom of the cabinet for power cord and ventilation, – Electrical and water supplies are recommended to be placed in adjacent cabinetry, Additional cabinet depth is required when placing the electrical and water supplies behind the appliance, E = Electric connection



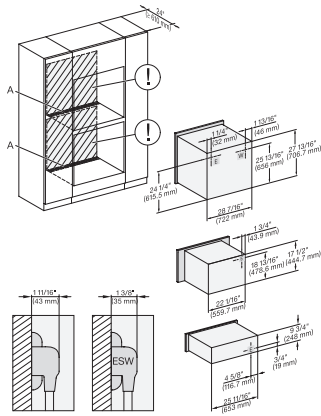
H 6560 B + EBA 6808, H 6x60 BP + EBA 6808, H6x70BM, ESW6x80, NA7000, Installation Combi, Installation drawing, Proud, NA

A – Cut-out (4" x 28" / 100 mm x 720 mm) in the bottom of the cabinet for power cord and ventilation, – Electrical and water supplies are recommended to be placed in adjacent cabinetry, Additional cabinet depth is required when placing the electrical and water supplies behind the appliance, E = Electric connection

H 7870 BMX

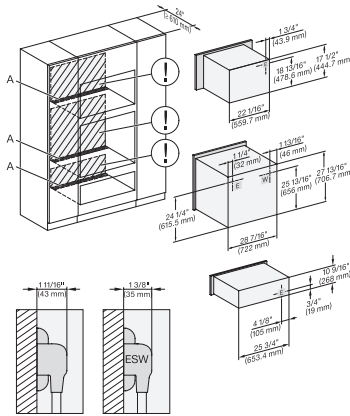
30" handleless compact speed oven

in a perfectly combinable design with automatic programs and roast probe.



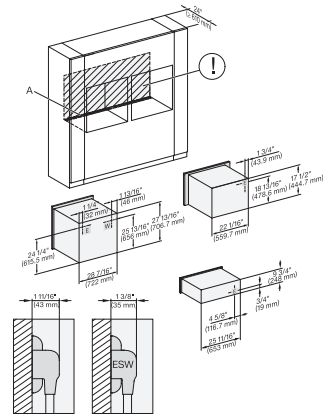
H 6x80 BP, H 6x70 BM, ESW 6x85, H 6x80-2BP, NA7000 Installation Combi, Installation drawing, Proud, NA

A – Cut-out (4" x 28" / 100 mm x 720 mm) in the bottom of the cabinet for power cord and ventilation, – Electrical and water supplies are recommended to be placed in adjacent cabinetry, Additional cabinet depth is required when placing the electrical and water supplies behind the appliance, E = Electric connection



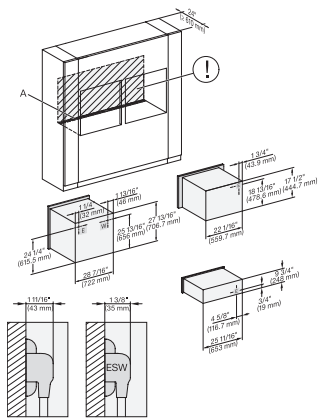
H 6x80 BP, H 6x70 BM, ESW 6x80, H 6x80-2BP, NA7000, Installation Combi, Installation drawing, Proud, NA

A – Cut-out (4" x 28" / 100 mm x 720 mm) in the bottom of the cabinet for power cord and ventilation, – Electrical and water supplies are recommended to be placed in adjacent cabinetry, Additional cabinet depth is required when placing the electrical and water supplies behind the appliance, E = Electric connection



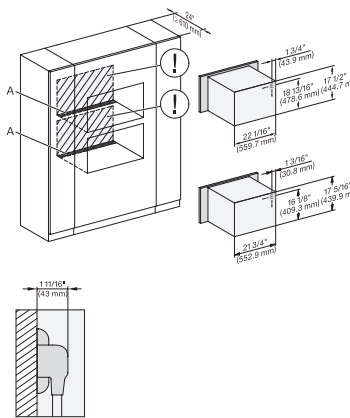
H6x80(-)2BP, H6x70BM, ESW6x85, H2x80BP, H7x80BP, ESW7x70, EVS7670, Installation Combi side by side, Installation drawing

A – Cut-out (4" x 28" / 100 mm x 720 mm) in the bottom of the cabinet for power cord and ventilation, – Electrical and water supplies are recommended to be placed in adjacent cabinetry, Additional cabinet depth is required when placing the electrical and water supplies behind the appliance, E = Electric connection



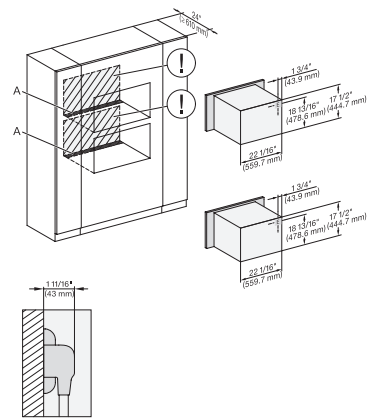
H 6x80 BP, H 6x70 BM, ESW 6x85, H 6x80-2BP, NA7000, Installation Combi side by side without wall, drawing, Proud, NA

A – Cut-out (4" x 28" / 100 mm x 720 mm) in the bottom of the cabinet for power cord and ventilation, – Electrical and water supplies are recommended to be placed in adjacent cabinetry, Additional cabinet depth is required when placing the electrical and water supplies behind the appliance, E = Electric connection



H6x70BM, H6x00BM + EBA 680B, H7x40BM+EBA784B, H7x70BM(X), Installation Combi wide front, Installation drawing, Proud, NA

A – Cut-out (4" x 28" / 100 mm x 720 mm) in the bottom of the cabinet for power cord and ventilation, – Electrical and water supplies are recommended to be placed in adjacent cabinetry, Additional cabinet depth is required when placing the electrical and water supplies behind the appliance, E = Electric connection



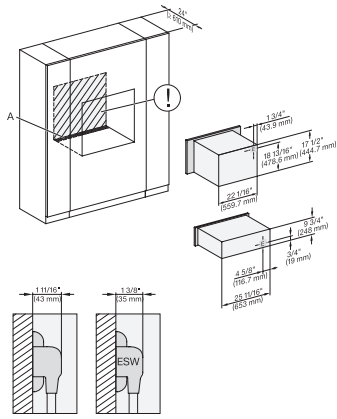
H 6x70 BM, H7x70BM(X), Installation Combi wide front, Installation drawing, Proud, NA

A – Cut-out (4" x 28" / 100 mm x 720 mm) in the bottom of the cabinet for power cord and ventilation, – Electrical and water supplies are recommended to be placed in adjacent cabinetry, Additional cabinet depth is required when placing the electrical and water supplies behind the appliance, E = Electric connection

H 7870 BMX

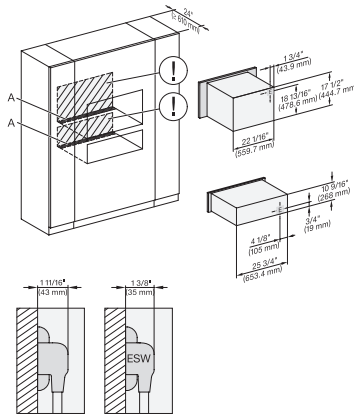
30" handleless compact speed oven

in a perfectly combinable design with automatic programs and roast probe.



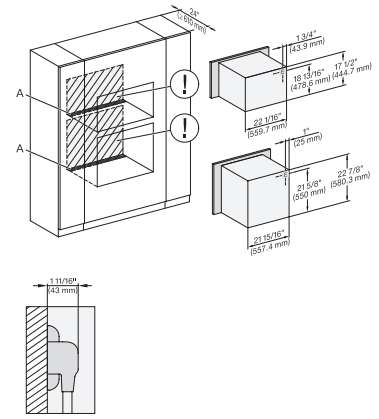
H 6x70 BM, ESW 6x85, H7x70BM(X), ESW7x70, EVS7670, Installation Combi wide front, Installation drawing, Proud, NA

A – Cut-out (4" x 28" / 100 mm x 720 mm) in the bottom of the cabinet for power cord and ventilation, – Electrical and water supplies are recommended to be placed in adjacent cabinetry, Additional cabinet depth is required when placing the electrical and water supplies behind the appliance, E = Electric connection



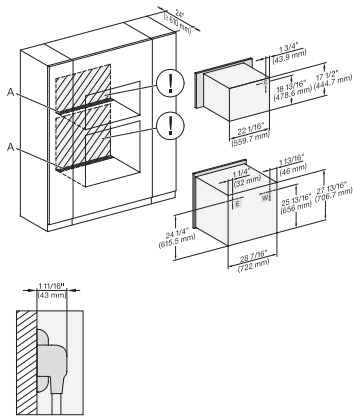
H 6x70 BM, ESW 6x80, H7x70BM, ESW7x80, Installation Combi wide front, Installation drawing, Proud, NA

A – Cut-out (4" x 28" / 100 mm x 720 mm) in the bottom of the cabinet for power cord and ventilation, – Electrical and water supplies are recommended to be placed in adjacent cabinetry, Additional cabinet depth is required when placing the electrical and water supplies behind the appliance, E = Electric connection



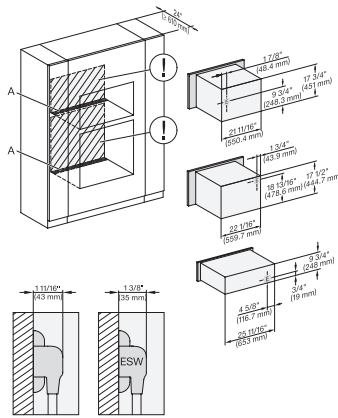
H6560B + EBA6808, H6x60 BP + EBA 6808, H 6x70 BM, NA7000, Installation Combi wide front, Installation drawing, Proud, NA

A – Cut-out (4" x 28" / 100 mm x 720 mm) in the bottom of the cabinet for power cord and ventilation, – Electrical and water supplies are recommended to be placed in adjacent cabinetry, Additional cabinet depth is required when placing the electrical and water supplies behind the appliance, E = Electric connection



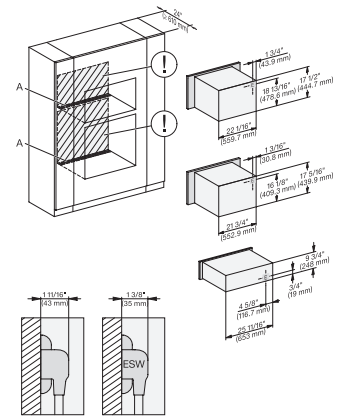
H 6x80 BP, H 6x70 BM, H 6x80-2BP, NA7000, Installation Combi wide front, Installation drawing, Proud, NA

A – Cut-out (4" x 28" / 100 mm x 720 mm) in the bottom of the cabinet for power cord and ventilation, – Electrical and water supplies are recommended to be placed in adjacent cabinetry, Additional cabinet depth is required when placing the electrical and water supplies behind the appliance, E = Electric connection



DGC 6x00-1 + EBA 6808, H 6x70 BM, ESW 6x85, Installation Combi wide front, Installation drawing, Proud, NA

A – Cut-out (4" x 28" / 100 mm x 720 mm) in the bottom of the cabinet for power cord and ventilation, – Electrical and water supplies are recommended to be placed in adjacent cabinetry, Additional cabinet depth is required when placing the electrical and water supplies behind the appliance, E = Electric connection



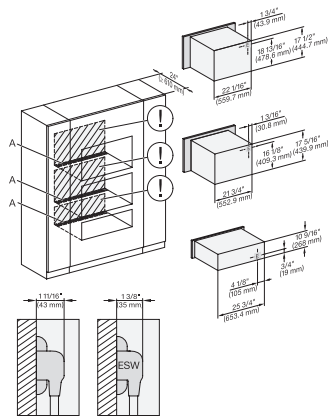
H 6x70 BM, H 6x00 BM + EBA 6808, ESW 6x85, NA7000, Installation Combi wide front, Installation drawing, Proud, NA

A – Cut-out (4" x 28" / 100 mm x 720 mm) in the bottom of the cabinet for power cord and ventilation, – Electrical and water supplies are recommended to be placed in adjacent cabinetry, Additional cabinet depth is required when placing the electrical and water supplies behind the appliance, E = Electric connection

H 7870 BMX

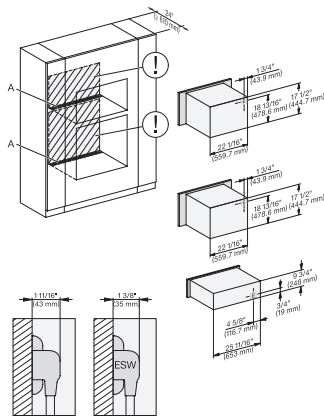
30" handleless compact speed oven

in a perfectly combinable design with automatic programs and roast probe.



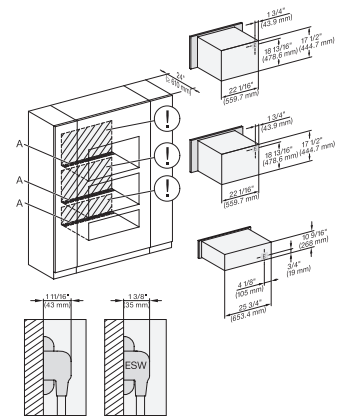
H 6x70 BM, H 6x00 BM + EBA 6808, ESW 6x80, NA7000, Installation Combi wide front, Installation drawing, Proud, NA

A – Cut-out (4" x 28" / 100 mm x 720 mm) in the bottom of the cabinet for power cord and ventilation, – Electrical and water supplies are recommended to be placed in adjacent cabinetry, Additional cabinet depth is required when placing the electrical and water supplies behind the appliance, E = Electric connection



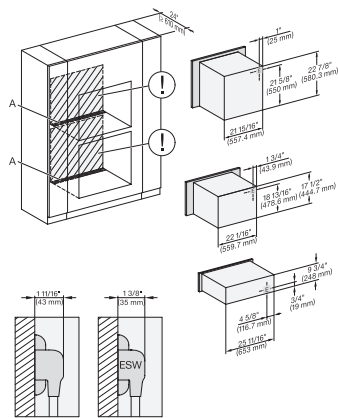
H 6x70 BM, ESW 6x85, H7x70BM, ESW7x70, EVS7670, Installation Combi wide front, Installation drawing, Proud, NA

A – Cut-out (4" x 28" / 100 mm x 720 mm) in the bottom of the cabinet for power cord and ventilation, – Electrical and water supplies are recommended to be placed in adjacent cabinetry, Additional cabinet depth is required when placing the electrical and water supplies behind the appliance, E = Electric connection



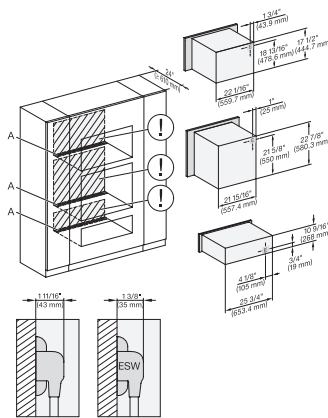
H 6x70 BM, ESW 6x80, H7x70BM, ESW7x80, Installation Combi wide front, Installation drawing, Proud, NA

A – Cut-out (4" x 28" / 100 mm x 720 mm) in the bottom of the cabinet for power cord and ventilation, – Electrical and water supplies are recommended to be placed in adjacent cabinetry, Additional cabinet depth is required when placing the electrical and water supplies behind the appliance, E = Electric connection



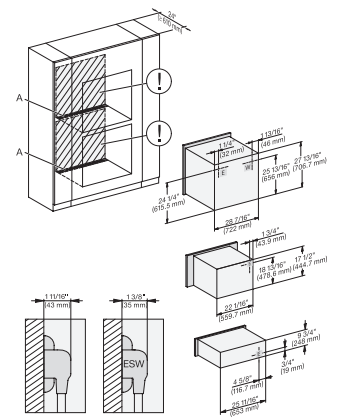
(H6560B, H6x60BP) + EBA6808, H6x70BM, ESW6x85, NA7000 Installation Combi wide front, Installation drawing, Proud, NA

A – Cut-out (4" x 28" / 100 mm x 720 mm) in the bottom of the cabinet for power cord and ventilation, – Electrical and water supplies are recommended to be placed in adjacent cabinetry, Additional cabinet depth is required when placing the electrical and water supplies behind the appliance, E = Electric connection



(H6560B, H6x60BP) + EBA6808, H6x70BM, ESW6x80, NA7000, Installation Combi wide front, Installation drawing, Proud, NA

A – Cut-out (4" x 28" / 100 mm x 720 mm) in the bottom of the cabinet for power cord and ventilation, – Electrical and water supplies are recommended to be placed in adjacent cabinetry, Additional cabinet depth is required when placing the electrical and water supplies behind the appliance, E = Electric connection



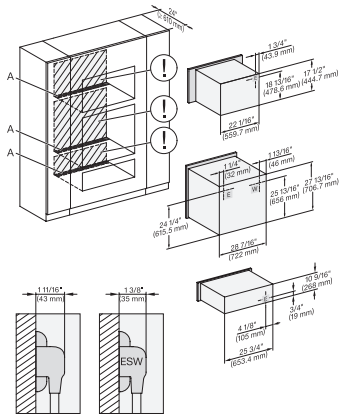
H 6x80 BP, H 6x70 BM, ESW 6x85, H 6x80-2BP, NA7000, Installation Combi wide front, Installation drawing, Proud, NA

A – Cut-out (4" x 28" / 100 mm x 720 mm) in the bottom of the cabinet for power cord and ventilation, – Electrical and water supplies are recommended to be placed in adjacent cabinetry, Additional cabinet depth is required when placing the electrical and water supplies behind the appliance, E = Electric connection

H 7870 BMX

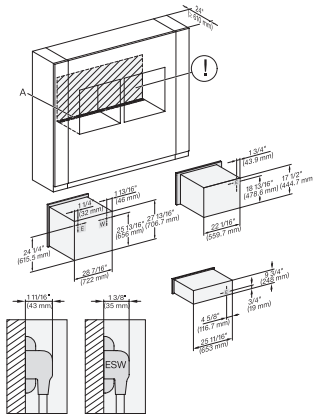
30" handleless compact speed oven

in a perfectly combinable design with automatic programs and roast probe.



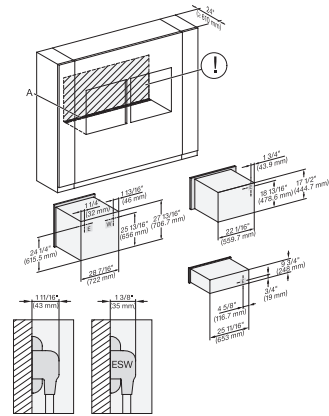
H 6x80 BP, H 6x70 BM, ESW 6x80, H 6x80-2BP, NA7000, Installation Combi wide front, Installation drawing, Proud, NA

A – Cut-out (4" x 28" / 100 mm x 720 mm) in the bottom of the cabinet for power cord and ventilation, – Electrical and water supplies are recommended to be placed in adjacent cabinetry, Additional cabinet depth is required when placing the electrical and water supplies behind the appliance, E = Electric connection



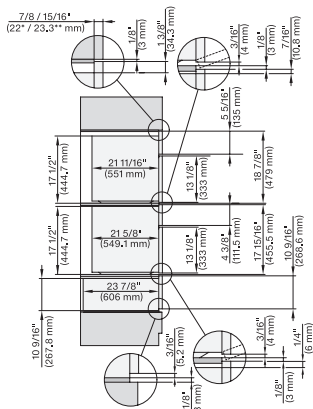
H6x80(2)BP, H6x70BM, ESW6x85, H2x80BP, H7x80BP, Installation Combi wide front side by side, Installation drawing, Proud

A – Cut-out (4" x 28" / 100 mm x 720 mm) in the bottom of the cabinet for power cord and ventilation, – Electrical and water supplies are recommended to be placed in adjacent cabinetry, Additional cabinet depth is required when placing the electrical and water supplies behind the appliance, E = Electric connection



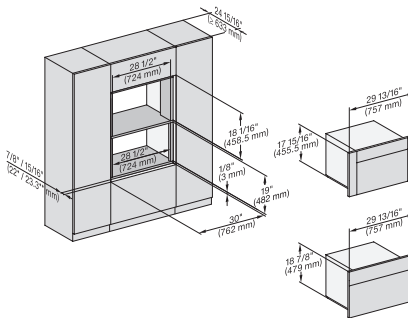
H6x80 BP, H6x70BM, ESW6x85, H6x80-2BP, NA7000, Installation Combi w. front side by side without wall, drawing, Proud, NA

A – Cut-out (4" x 28" / 100 mm x 720 mm) in the bottom of the cabinet for power cord and ventilation, – Electrical and water supplies are recommended to be placed in adjacent cabinetry, Additional cabinet depth is required when placing the electrical and water supplies behind the appliance, E = Electric connection



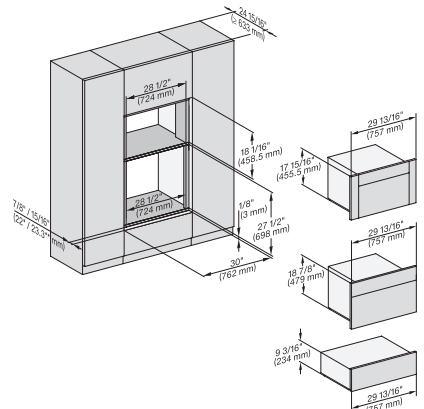
DGC7x7x(X), H7x70BM(X), H7x40BM+EBA7848, ESW7x80, side view, 30 Zoll, Flush inset, combi, 450S

7/8" – 22* mm – Glass, 15/16" – 23.3** mm – Stainless steel



DGC7x4+EBA7848, H7x70BM(X), Einbau, 30 Zoll, Flush inset, combi, XL

7/8" – 22* mm – Glass, 15/16" – 23.3** mm – Stainless steel



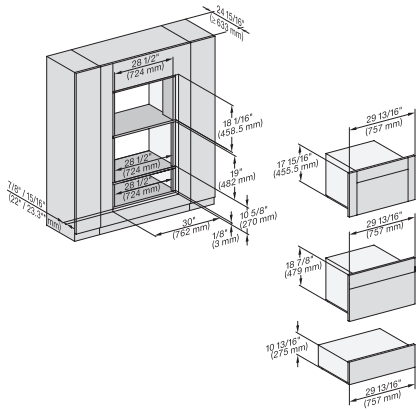
DGC7x4+EBA7848, H7x70BM(X), ESW7x70, EVS7670, Einbau, 30 Zoll, Flush inset, combi, XL

7/8" – 22* mm – Glass, 15/16" – 23.3** mm – Stainless steel

H 7870 BMX

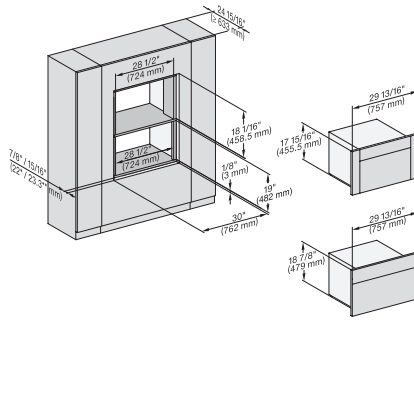
30" handleless compact speed oven

in a perfectly combinable design with automatic programs and roast probe.



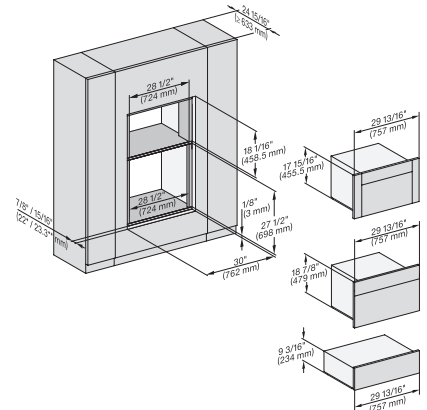
DGC7x4x+EBA7848, H7x70BMX, ESW7x80, Einbau, 30 Zoll, Flush inset, combi, XL

7/8" – 22* mm – Glass, 15/16" – 23.3** mm – Stainless steel



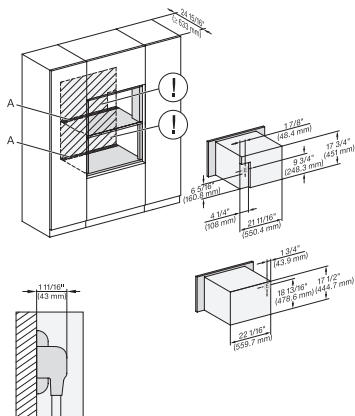
DGC7x4x+EBA7848, H7x70BM(X), Einbau, 30 Zoll, Flush inset, combi, wide front, XL

7/8" – 22* mm – Glass, 15/16" – 23.3** mm – Stainless steel



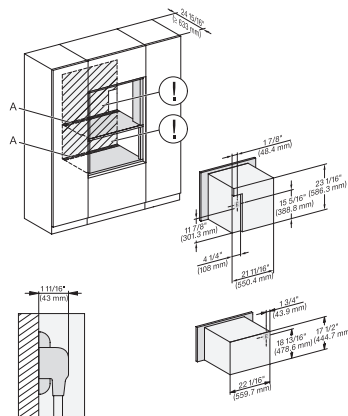
DGC7xxx+EBA7848, H7x70BM(X), ESW7x70, EVS7x70, Einbau, 30 Zoll, Flush inset, combi, wide front, XL

7/8" – 22* mm – Glass, 15/16" – 23.3** mm – Stainless steel



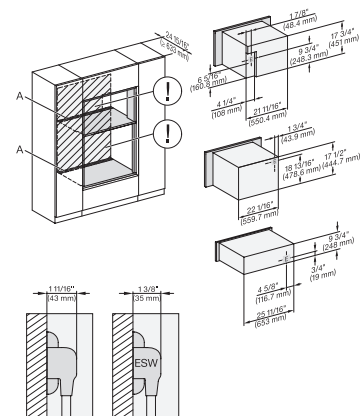
DGC7x4x+EBA7848, H7x70BM(X), Installation, 30 Zoll, Flush inset, combi, XL

A – Cut-out (4" x 28" / 100 mm x 720 mm) in the bottom of the cabinet for power cord and ventilation, – Electrical and water supplies are recommended to be placed in adjacent cabinetry, Additional cabinet depth is required when placing the electrical and water supplies behind the appliance., E = Electric connection



DGC786x+EBA7868, H7x70BM(X), Installation, 30 Zoll, Flush inset, combi, XXL

A – Cut-out (4" x 28" / 100 mm x 720 mm) in the bottom of the cabinet for power cord and ventilation, – Electrical and water supplies are recommended to be placed in adjacent cabinetry, Additional cabinet depth is required when placing the electrical and water supplies behind the appliance., E = Electric connection



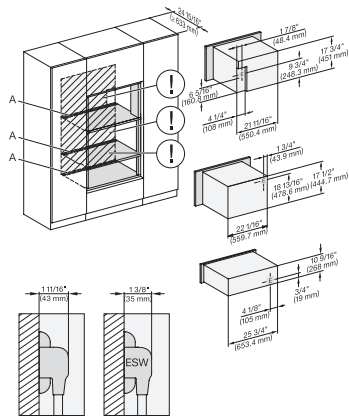
DGC7x4x+EBA7848, H7x70BM(X)+EBA7848, ESW7x70 EVS7670, Installation, 30 Zoll, Flush inset, combi, XL, 450S

A – Cut-out (4" x 28" / 100 mm x 720 mm) in the bottom of the cabinet for power cord and ventilation, – Electrical and water supplies are recommended to be placed in adjacent cabinetry, Additional cabinet depth is required when placing the electrical and water supplies behind the appliance., E = Electric connection

H 7870 BMX

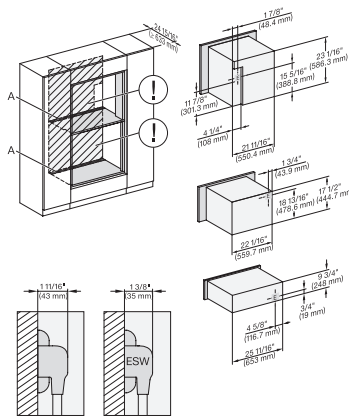
30" handleless compact speed oven

in a perfectly combinable design with automatic programs and roast probe.



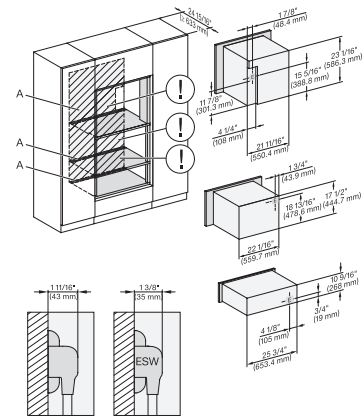
DGC7x4+EBA7848, H7x70BM(X), ESW7x80, Installation, 30Zoll, Flush inset, combi, XL

A – Cut-out (4" x 28" / 100 mm x 720 mm) in the bottom of the cabinet for power cord and ventilation, – Electrical and water supplies are recommended to be placed in adjacent cabinetry, Additional cabinet depth is required when placing the electrical and water supplies behind the appliance., E = Electric connection



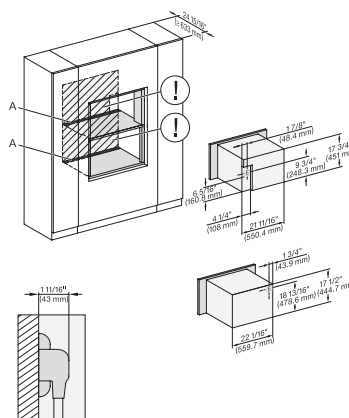
DGC786x+EBA7868, H7x70BM(X), ESW7x70, EVS7670, Installation, 30 Zoll, Flush inset, combi, XXL

A – Cut-out (4" x 28" / 100 mm x 720 mm) in the bottom of the cabinet for power cord and ventilation, – Electrical and water supplies are recommended to be placed in adjacent cabinetry, Additional cabinet depth is required when placing the electrical and water supplies behind the appliance., E = Electric connection



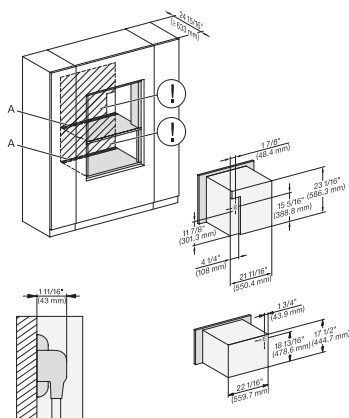
DGC786x+EBA7868, H7x70BM(X), ESW7x80, Installation, 30 Zoll, Flush inset, combi, XXL

A – Cut-out (4" x 28" / 100 mm x 720 mm) in the bottom of the cabinet for power cord and ventilation, – Electrical and water supplies are recommended to be placed in adjacent cabinetry, Additional cabinet depth is required when placing the electrical and water supplies behind the appliance., E = Electric connection



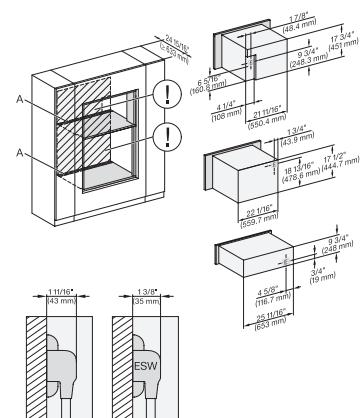
DGC7x4+EBA7848, H7x70BM(X), Installation, 30 Zoll, Flush inset, combi, wide front, XL

A – Cut-out (4" x 28" / 100 mm x 720 mm) in the bottom of the cabinet for power cord and ventilation, – Electrical and water supplies are recommended to be placed in adjacent cabinetry, Additional cabinet depth is required when placing the electrical and water supplies behind the appliance., E = Electric connection



DGC786x+EBA7868, H770BM(X), Installation, 30 Zoll, Flush inset, combi, wide front, XXL

A – Cut-out (4" x 28" / 100 mm x 720 mm) in the bottom of the cabinet for power cord and ventilation, – Electrical and water supplies are recommended to be placed in adjacent cabinetry, Additional cabinet depth is required when placing the electrical and water supplies behind the appliance., E = Electric connection



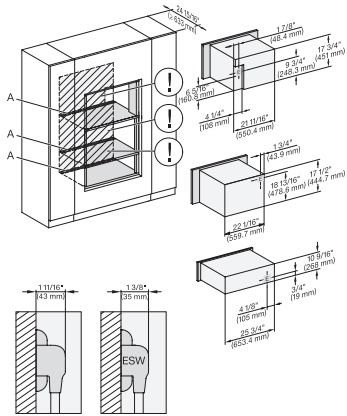
DGC7x40+EBA7848, H7x70BM, ESW7x70, EVS7670, Installation, 30 Zoll, Flush inset, combi, wide front, XL

A – Cut-out (4" x 28" / 100 mm x 720 mm) in the bottom of the cabinet for power cord and ventilation, – Electrical and water supplies are recommended to be placed in adjacent cabinetry, Additional cabinet depth is required when placing the electrical and water supplies behind the appliance., E = Electric connection

H 7870 BMX

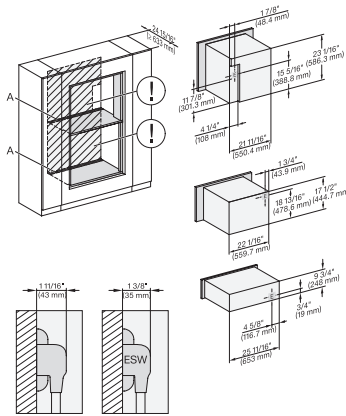
30" handleless compact speed oven

in a perfectly combinable design with automatic programs and roast probe.



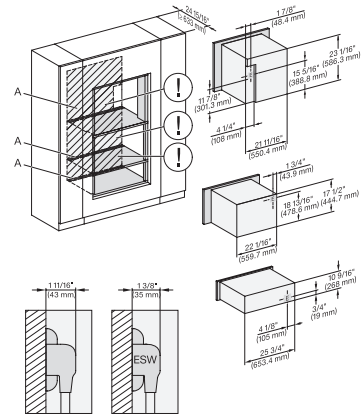
DGC7x4+EBA7848, H7x70BM, ESW7x80, Installation, 30 Zoll, Flush inset, combi, wide front, XL

A – Cut-out (4" x 28" / 100 mm x 720 mm) in the bottom of the cabinet for power cord and ventilation, – Electrical and water supplies are recommended to be placed in adjacent cabinetry, Additional cabinet depth is required when placing the electrical and water supplies behind the appliance., E = Electric connection



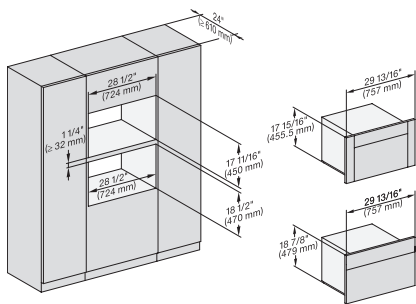
DGC786x+EBA7868, H7x70BM, ESW7x70, EVS7670, Installation, 30 Zoll, Flush inset, combi, wide front, XXL

A – Cut-out (4" x 28" / 100 mm x 720 mm) in the bottom of the cabinet for power cord and ventilation, – Electrical and water supplies are recommended to be placed in adjacent cabinetry, Additional cabinet depth is required when placing the electrical and water supplies behind the appliance., E = Electric connection



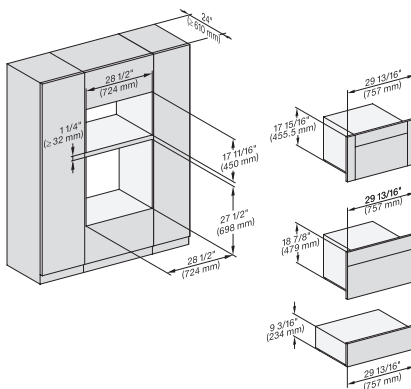
DGC786x+EBA7868, H7x70BM(X), ESW7x80, Installation, 30 Zoll, Flush inset, combi, wide front, XXL

A – Cut-out (4" x 28" / 100 mm x 720 mm) in the bottom of the cabinet for power cord and ventilation, – Electrical and water supplies are recommended to be placed in adjacent cabinetry, Additional cabinet depth is required when placing the electrical and water supplies behind the appliance., E = Electric connection



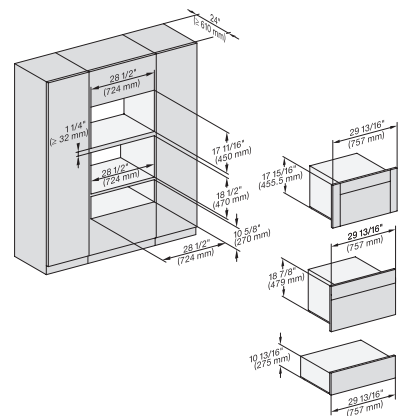
DGC7x4+EBA7848, H7x70BM(X), Einbau, 30 Zoll, Proud, combi, XL

7/8" – 22" mm – Glass, 15/16" – 23.3** mm – Stainless steel



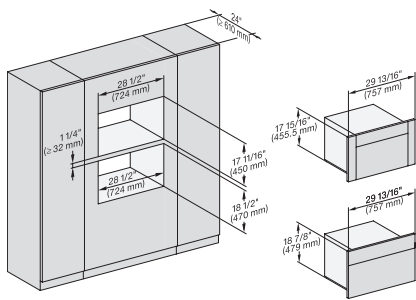
DGC7x4+EBA7848, H7x70BM(X), ESW7x70, EVS7670, Einbau, 30 Zoll, Proud, combi, XL

7/8" – 22" mm – Glass, 15/16" – 23.3** mm – Stainless steel

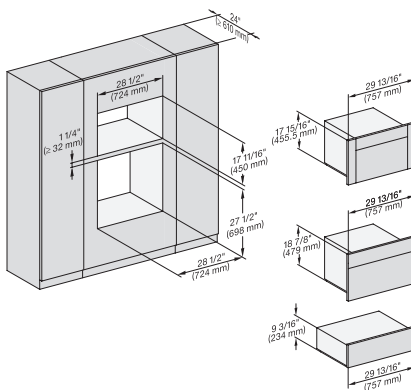


DGC7x4+EBA7848, H7x70BM, ESW7x80, Einbau, 30 Zoll, Proud, combi, XL

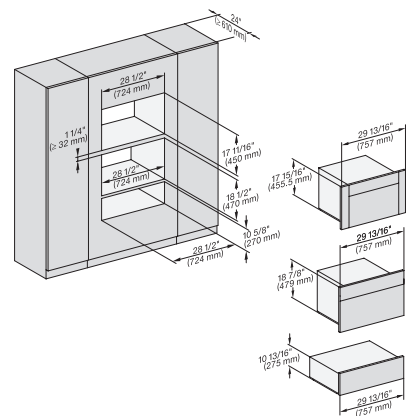
7/8" – 22" mm – Glass, 15/16" – 23.3** mm – Stainless steel



DGC7x4+EBA7848, H7x70BM(X), Einbau, 30 Zoll, Proud, combi, wide front, XL



DGC7x4+EBA7848, H7x70BM(X), ESW7x70, EVS7670, Einbau, 30 Zoll, Proud, combi, wide front, XL

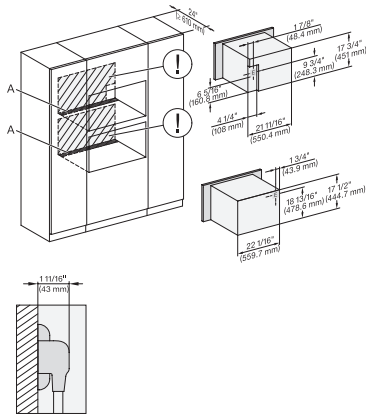


DGC7x4+EBA7848, H7x70BM(X), ESW7x80, Einbau, 30 Zoll, Proud, combi, wide front, XL

H 7870 BMX

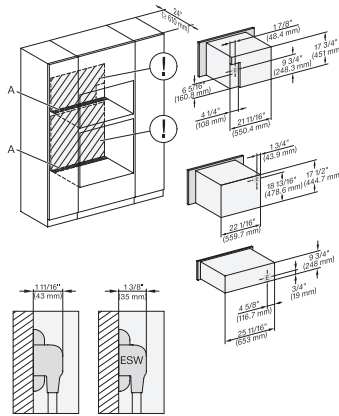
30" handleless compact speed oven

in a perfectly combinable design with automatic programs and roast probe.



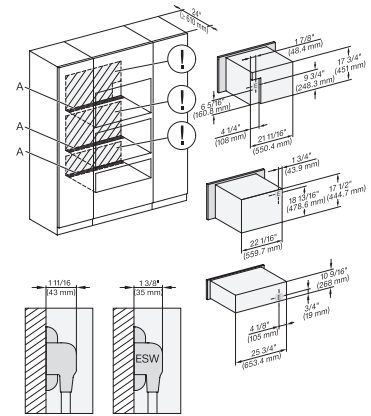
DGC7x40+EBA7848, H7x70BM(X), Installation, 30 Zoll, Proud, combi, XL

A – Cut-out (4" x 28" / 100 mm x 720 mm) in the bottom of the cabinet for power cord and ventilation, – Electrical and water supplies are recommended to be placed in adjacent cabinetry, Additional cabinet depth is required when placing the electrical and water supplies behind the appliance., E = Electric connection



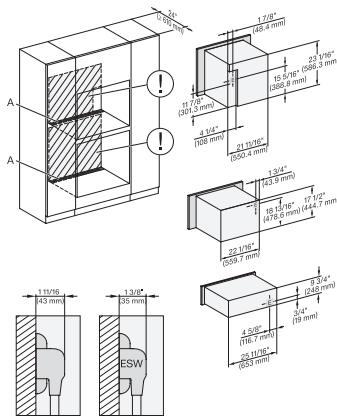
DGC7x4x+EBA7848, H7x70BM(X), ESW7x70, EVS7670, Installation, 30 Zoll, Proud, combi, XL

A – Cut-out (4" x 28" / 100 mm x 720 mm) in the bottom of the cabinet for power cord and ventilation, – Electrical and water supplies are recommended to be placed in adjacent cabinetry, Additional cabinet depth is required when placing the electrical and water supplies behind the appliance., E = Electric connection



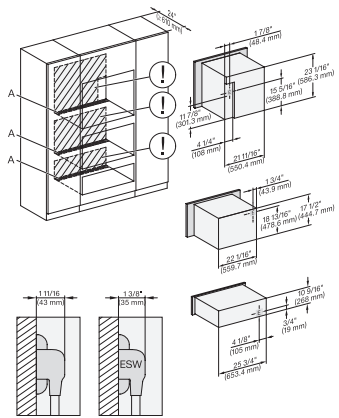
DGC7x4x+EBA7848, H7x70BM(X), ESW7x80, Installation, 30 Zoll, Proud, combi, XL

A – Cut-out (4" x 28" / 100 mm x 720 mm) in the bottom of the cabinet for power cord and ventilation, – Electrical and water supplies are recommended to be placed in adjacent cabinetry, Additional cabinet depth is required when placing the electrical and water supplies behind the appliance., E = Electric connection



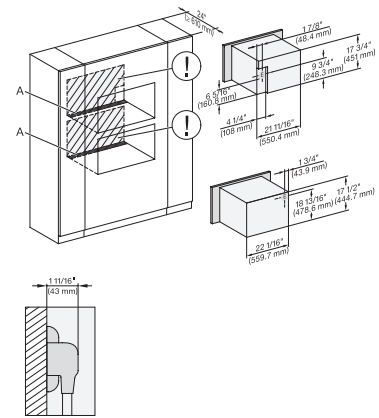
DGC786x+EBA7868, H7x70BM(X), ESW7x70, EVS7670, 30 Zoll, Proud, combi, XXL

A – Cut-out (4" x 28" / 100 mm x 720 mm) in the bottom of the cabinet for power cord and ventilation, – Electrical and water supplies are recommended to be placed in adjacent cabinetry, Additional cabinet depth is required when placing the electrical and water supplies behind the appliance., E = Electric connection



DGC786x+EBA7868, H7x70BM(X), ESW7x80, Installation, 30 Zoll, Proud, combi, XXL

A – Cut-out (4" x 28" / 100 mm x 720 mm) in the bottom of the cabinet for power cord and ventilation, – Electrical and water supplies are recommended to be placed in adjacent cabinetry, Additional cabinet depth is required when placing the electrical and water supplies behind the appliance., E = Electric connection



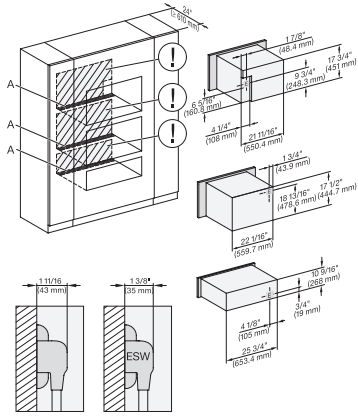
DGC7x4x+EBA7848, H7x70BM(X), Installation, 30 Zoll, Proud, combi, wide front, XL

A – Cut-out (4" x 28" / 100 mm x 720 mm) in the bottom of the cabinet for power cord and ventilation, – Electrical and water supplies are recommended to be placed in adjacent cabinetry, Additional cabinet depth is required when placing the electrical and water supplies behind the appliance., E = Electric connection

H 7870 BMX

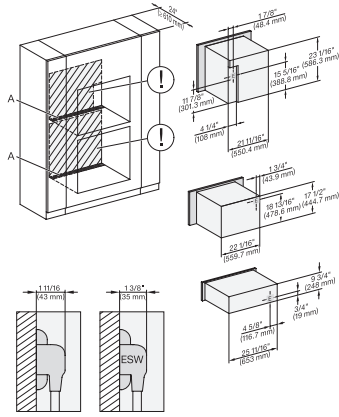
30" handleless compact speed oven

in a perfectly combinable design with automatic programs and roast probe.



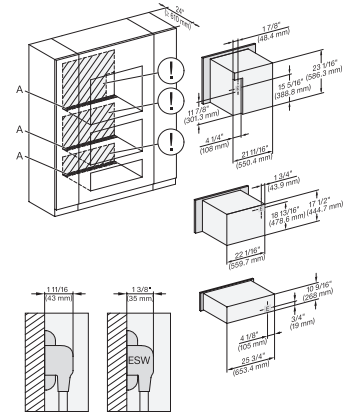
DGC7x4x+EBA7848, H7x70BM(X), ESW7x80, Installation, 30 Zoll, Proud, combi, wide front, XL

A – Cut-out (4" x 28" / 100 mm x 720 mm) in the bottom of the cabinet for power cord and ventilation, – Electrical and water supplies are recommended to be placed in adjacent cabinetry, Additional cabinet depth is required when placing the electrical and water supplies behind the appliance., E = Electric connection



DGC786x+EBA7868, H7x70BM(X), ESW7x70, EVS7670, Installation, 30 Zoll, Flush inset, combi, wide front, XXL

A – Cut-out (4" x 28" / 100 mm x 720 mm) in the bottom of the cabinet for power cord and ventilation, – Electrical and water supplies are recommended to be placed in adjacent cabinetry, Additional cabinet depth is required when placing the electrical and water supplies behind the appliance., E = Electric connection



DGC786x+EBA7868, H7x70BM(X), ESW7x80, Installation, 30 Zoll, Proud, combi, wide front, XXL

A – Cut-out (4" x 28" / 100 mm x 720 mm) in the bottom of the cabinet for power cord and ventilation, – Electrical and water supplies are recommended to be placed in adjacent cabinetry, Additional cabinet depth is required when placing the electrical and water supplies behind the appliance., E = Electric connection