

## Chimney extension HCIEXT5UC

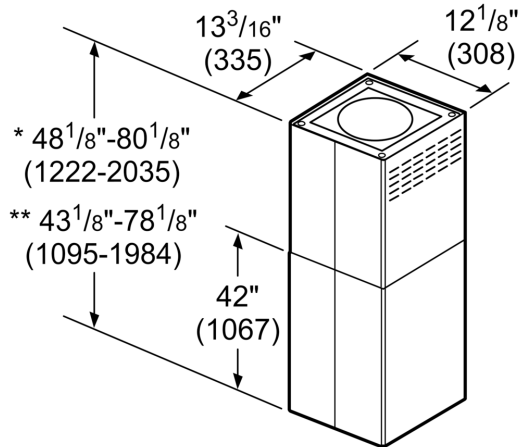


Product group: ..... Accessory  
Brand: ..... Bosch  
Product name / series name:  
SKU: ..... HCIEXT5UC  
Internal article number: ..... 000000000011002371  
EAN code: ..... 4242002797861  
Product Packaging Dimensions (HxWxD): ..... 17.59 x 14.48 x 47.04  
Net Weight: ..... 49.000 lbs  
Gross Weight: ..... 52.000 lbs  
Quantity per packing unit:  
Standard number of units per pallet:  
UPC code: ..... 825225909767  
Product image: ..... MCSA00712676\_HCIEXT5UC\_def.jpg



## Chimney extension HCIEXT5UC

---



- \* Recirculating installation
- \*\* Ducted installation

measurements in inches (mm)