

24" 2.0 Cubic Foot Gas Freestanding Range

HCR2250AGS

Available
August 1, 2018



Unit Specifications

Width	23 3/4"
Depth	25 1/2"
Height	35 1/2"
Weight	115lbs.
UPC	688057374383

More Easy-To-Use Features

- Stainless Steel Sides
- Electronic Controls
- Digital Clock with Automatic Cut-Off Timer
- Two 7,000 BTU/hr Semi-Rapid Burners
- One 5,000 BTU/hr Auxiliary Burner
- Conversion Kit Included
- Removable Interior Glass Door
- Three Heating Methods: Convection Bake, Bake, Broil
- Two Racks with 5 Rack Positions
- Broil Pan Set Included
- Wok Ring Included
- Back Guard Included

Signature Features

Convection

Includes a rear fan to distribute hot air throughout the oven for faster, more even baking

Heavy Duty Continuous Cast Iron Grates

Allow easy movement of cookware while providing even heat distribution with better heat retention

Triple Ring Burner

Delivers intense heat for high output cooking performance

Halogen Interior Lighting

Distributes bright, clear light throughout the oven

Warranty

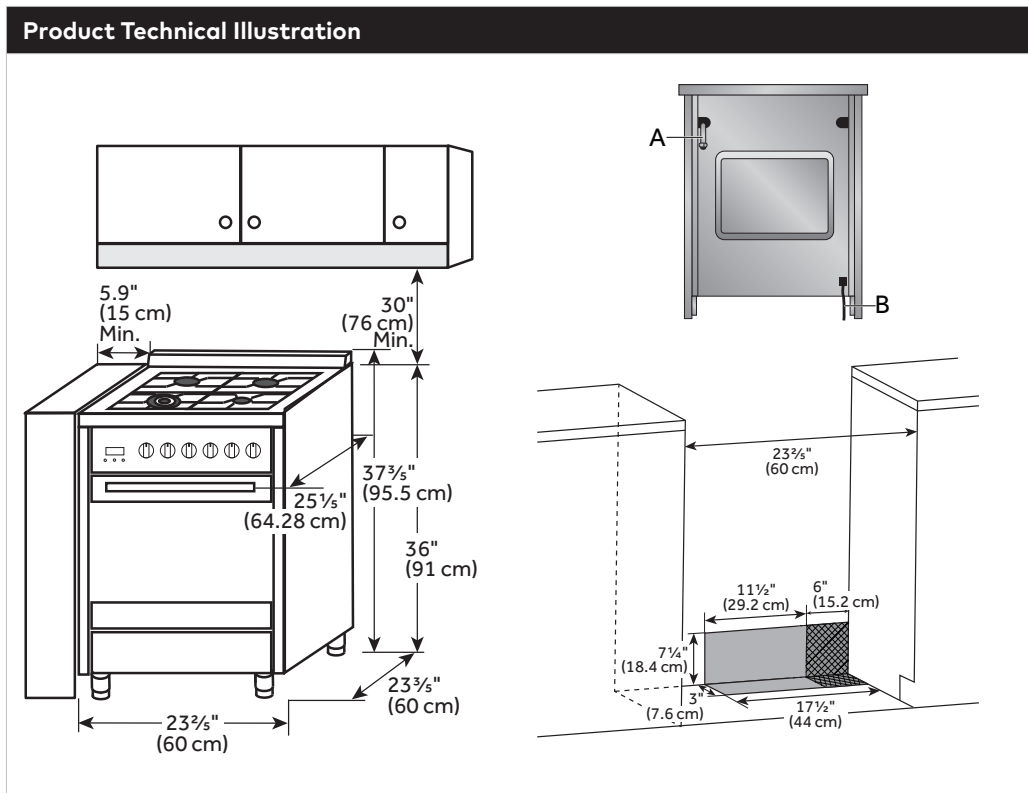
- 2 Year Warranty (Parts and Labor)

Available Finishes



Stainless Steel

Overall Packaging Details		
Packaging		lb./in.
Gross Weight		133 lbs.
Dimensions	W	25"
	D	27 3/8"
	H	36 3/4"
Power Requirements		
Electrical Rating		120V, 60Hz



General Appliance Information

Please read all installation details and instructions before use.

Contact Us

For questions regarding this product please refer to our website at haieramerica.com or call our customer service center at 877-337-3639.



* Leveling legs included in accessory package inside a separate box.