

36" 3.8 Cubic Foot Gas Freestanding Range

HCR6250AGS

Available Q3 2016



Product image does not represent final photography.

Signature Features

Convection

Includes 2 rear fans to distribute hot air throughout the oven for fast, more even baking

Heavy Duty Continuous Cast Iron Grates

Allow easy movement of cookware while providing even heat distribution with better heat retention

Triple Ring Burner

Delivers intense heat for high output cooking performance

Halogen Interior Lighting

Distributes bright, clear light throughout the oven

Unit Specifications

Width	35 1/2"
Depth	26 5/8"
Height	36 3/8"
Weight	182lbs.
UPC	688057374390

More Easy-To-Use Features

- Stainless Steel Sides
- Electronic Control
- Digital Clock with Automatic Cut-Off Timer
- One 17,882 BTU/h Triple Ring Burner, One 8,500 BTU/h Rapid Burners, Two 7,055 BTU/h Semi-Rapid and One 4,967 BTU/h Auxiliary Burner
- Conversion Kit Included
- Removable Interior Glass Door
- Three Heating Methods: Convection Bake, Bake, Broil
- Two Racks with 5 Rack Positions
- Broil Pan Set Included
- Wok Ring Included
- Back Guard Included

Warranty

- 2 Year Warranty (Parts and Labor)

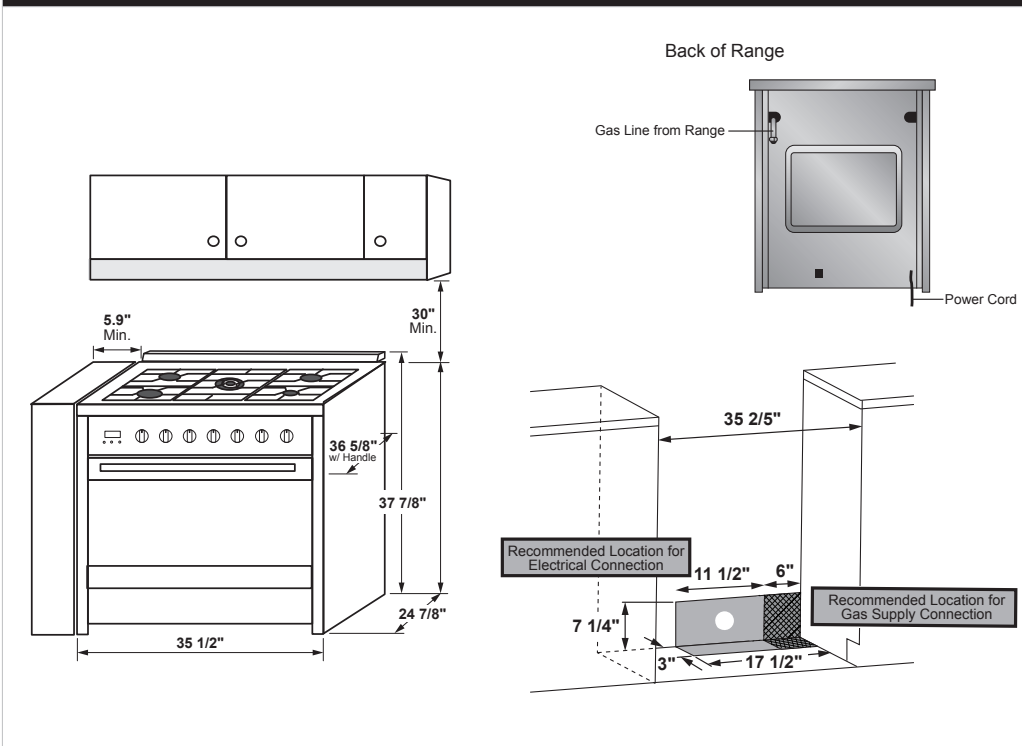
Available Finishes



Stainless Steel

Overall Packaging Details		
Packaging		lb./in.
Gross Weight		205 lbs.
Dimensions	W	36 3/4"
	D	27 3/8"
	H	36 3/4"
Power Requirements		
Electrical Rating		120V, 60Hz

Product Technical Illustration



General Appliance Information

Please read all installation details and instructions before use.

Contact Us

For questions regarding this product please refer to our website at haieramerica.com or call our customer service center at 877-337-3639.



* Leveling legs included in accessory package inside a separate box.