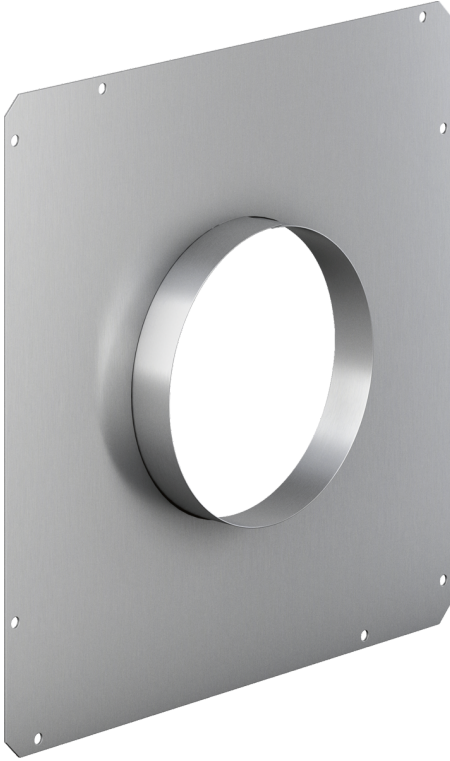


**installation accessory**  
**HDDFTRAN6**



**6" Front Rough-In Plate Enable Ducting To Be At Front Of Dnwdraft, For Use With Inline And Remote Blower Applications**

- **6" Round Front Rough-In Plate**
- **Ability To Use With DHG6105NUC Inline or DHG6023RUC Remote Blowers**

---

Product group: ..... Accessory  
Brand: ..... Bosch  
Product name / series name:  
SKU: ..... HDDFTRAN6  
Internal article number: ..... 000000000000777714  
EAN code: ..... 4242002915784  
Product Packaging Dimensions (HxWxD): ..... 2.49 x 13.37 x 13.24  
Net Weight: ..... 2.000 lbs  
Gross Weight: ..... 3.000 lbs  
Quantity per packing unit:  
Standard number of units per pallet: ..... 60  
UPC code: ..... 825225921172  
Product image: MCSA02477421\_i3923\_1851077\_HDDFTRAN6\_def.jpg

---



**installation accessory**  
**HDDFTRAN6**

**6" Front Rough-In Plate Enable Ducting To  
Be At Front Of Downdraft, For Use With  
Inline And Remote Blower Applications**

---

**Design**

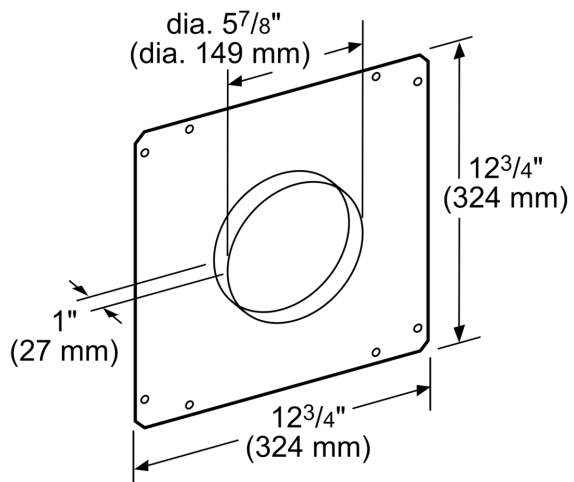
- 6" Round Front Rough-In Plate

**Performance**

- Ability To Use With DHG6105NUC Inline or DHG6023RUC Remote  
Blowers

**installation accessory**  
**HDDFTRAN6**

---



measurements in inches (mm)