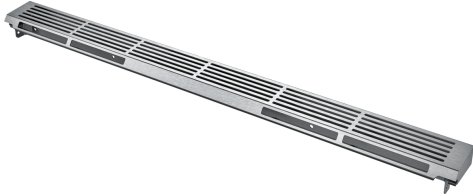
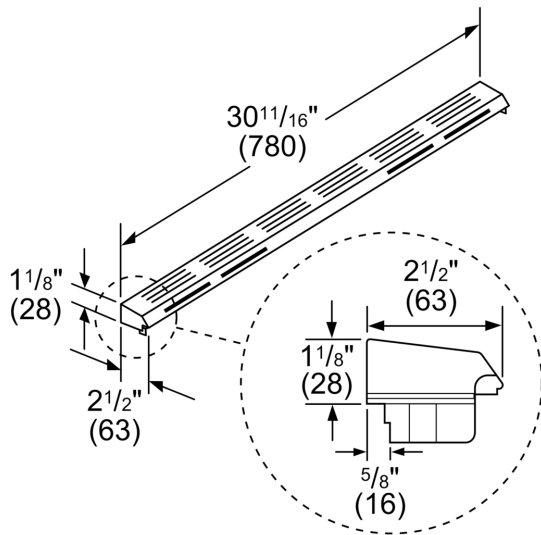

installation accessory
HDZIT301



Product group: Accessory
Brand: Bosch
Product name / series name:
SKU: HDZIT301
Internal article number: 000000000011006434
EAN code: 4242002865270
Product Packaging Dimensions (HxWxD): 4.52 x 8.34 x 33.54
Net Weight: 3.000 lbs
Gross Weight: 3.000 lbs
Quantity per packing unit:
Standard number of units per pallet:
UPC code: 825225918448



installation accessory
HDZIT301



measurements in inches and (mm)