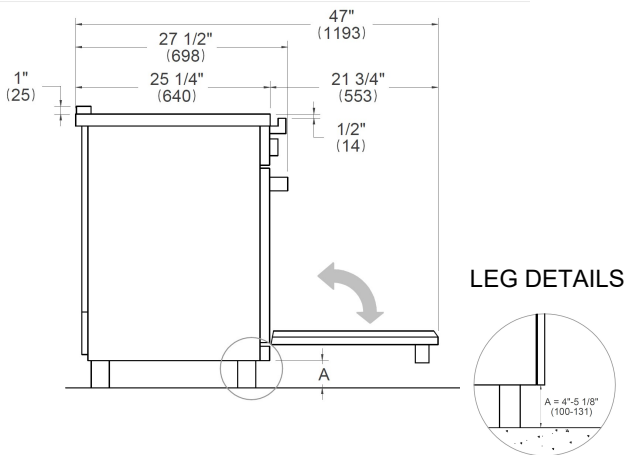
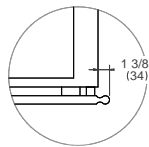


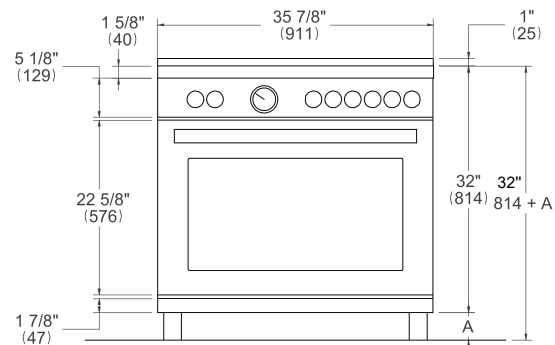
## SIDE VIEW



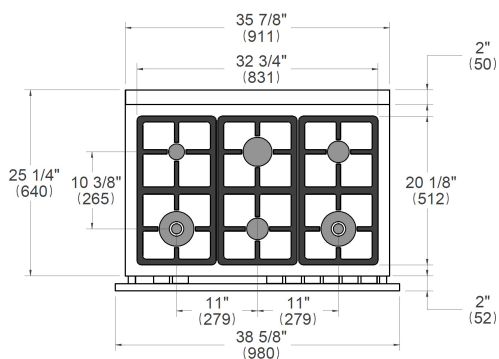
## UPPER DETAILS



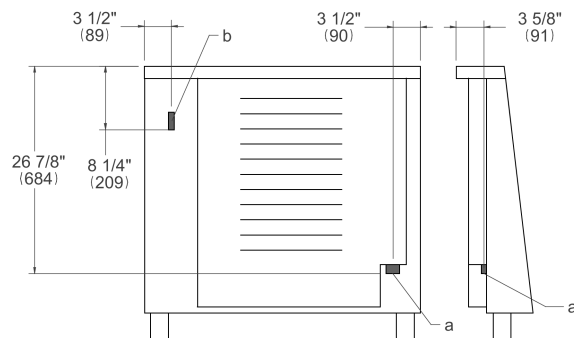
## FRONT VIEW



## WORKTOP DETAILS



## REAR VIEW



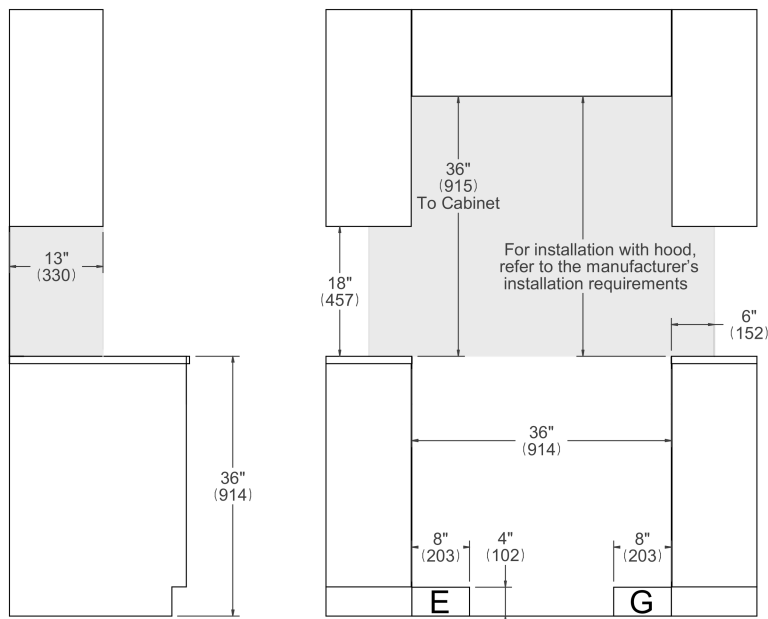
## INSTALLATION

**E**

A properly-grounded horizontally mounted electrical receptacle should be installed no higher than 3" (7.6 cm) above the floor, no less than 2" (5 cm) and no more than 8" (20,3 cm) from the left side (facing product). Check all local code requirements.

**G**

Install agency approved, properly sized manual shut-off valve at max. height of 3" from floor, 2" min. height/ 8" max. height from the right side (facing product). Use approved shut-off valve & regulator gas connection, properly sized flex or rigid pipe. Check all local code requirements.



## NOTE

- a. Electrical Connection
- b. Gas Connection