

HER486BTFGMNG

HERITAGE SERIES ALL-GAS RANGE 48" - 6 BRASS BURNERS + ELECTRIC GRIDDLE - GAS OVEN - NERO MATT FINISH AND POLISHED GOLD KNOBS AND FINIALS



Exclusive Finish and Materials

The exclusive color finish and metal trim details of this range are inspired by Italian style and craftsmanship and by the company heritage. Metal knobs and handles make the range a standout in every kitchen. Stainless toe kick included with the range. Integrated polished Gold handle finials and knobs for unique aesthetic impact.

Bertazzoni signature counter-deep maintop

Bertazzoni signature stainless counter-deep maintop is designed to install flush with most kitchen countertops for a perfectly integrated look. Precise and flexible heating is generated through 6 Mono-bloc brass burners. 2 x 19000 BTUs power burners with dual ring of flame boil water in 6 minutes flat. The stainless steel electric griddle comes with a handy integrated cover.

Extra large oven with dual convection

The 4.7 cu.ft gas oven with dual horizontal convection allows even baking and roasting on 7 shelf levels. A 2.4 cu.ft auxiliary oven helps prepare multiple dishes at the same time. Bertazzoni ovens are equipped with an extra-large high-power broiler for broiling and grilling.

Advanced programming and controls for the oven

The elegant digital gauge gives precise control of oven temperature during pre-heating, roasting and baking, and has integrated controls for the food temperature probe.

Best-in-class features and design

The soft-close oven door with edge-to-edge tempered glass is a masterpiece of European engineering and makes the oven door very easy to wipe clean. Convenient smooth-glide telescopic racks on 2 levels help loading and unloading the oven.

GENERAL CHARACTERISTICS

Worktop	6 gas burners with 2 lateral dual wok + electric griddle
Burners	Brass burners
Pan support	Cast iron
Upstand/Lid cover	1" stainless steel island trim
Knobs	Solid metal gold finish
Cooking modes	5
Tray	1 baking tray with grill trivet
Shelves	2 heavy duty
Levels	Lateral grids
Telescopic guides	2 sliding guides
Inner door	3 layer tempered glass
Door hinges	Soft closing
Auxiliary oven cooking modes	1
Auxiliary oven shelves	2 heavy duty
Auxiliary oven levels	Lateral grids
Auxiliary oven telescopic guides	2 sliding guides
Legs	Stainless Steel ø 2 3/8 inches

TECHNICAL SPECIFICATIONS

Electrical requirements	110 V 60 HZ - 1200W 10A
Warranty	2 years parts & labor
Packaging dimensions	H:42 1/8 W:51 15/16 D:29 15/16

ACCESSORIES SECTION

DSHERTKHPC	Polished Copper finish Décor set
DSHERTKHSB	Matt Satin Black finish Décor set
901617	Flat End Caps for Heritage Handle
CIG36	Cast Iron Griddle

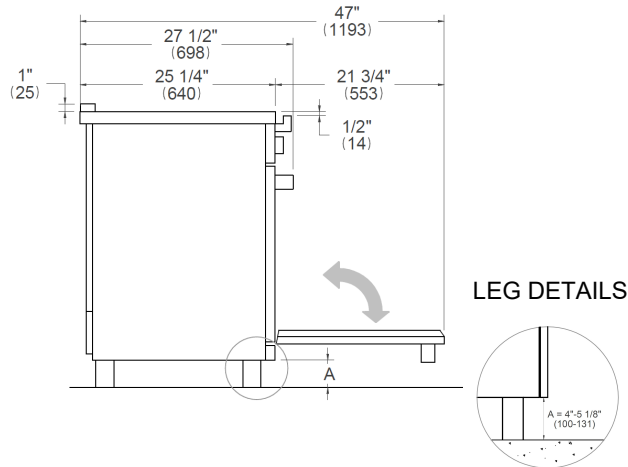
HER486BTFGMNG

HERITAGE SERIES ALL-GAS RANGE 48" - 6 BRASS BURNERS + ELECTRIC GRIDDLE - GAS OVEN - NERO MATT FINISH AND POLISHED GOLD KNOBS AND FINIALS

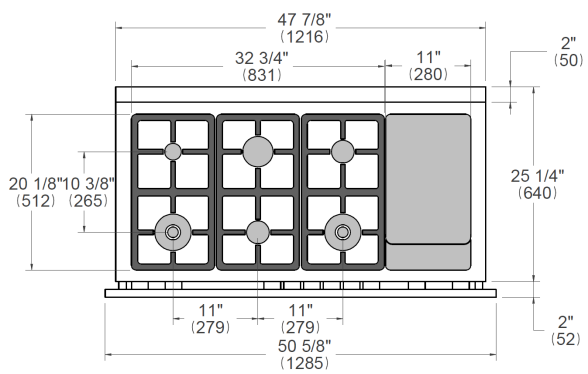


DIMENSIONS

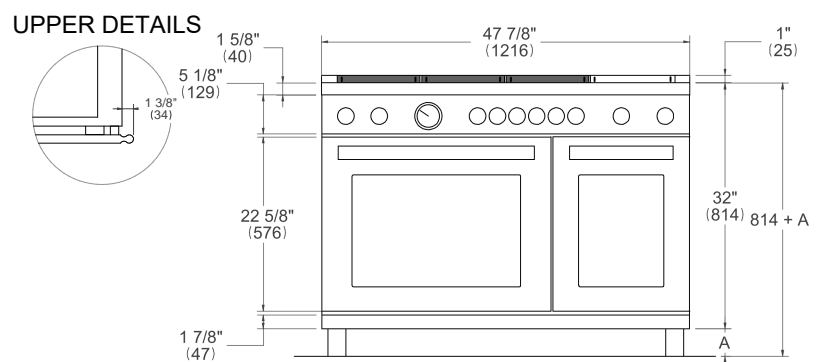
SIDE VIEW



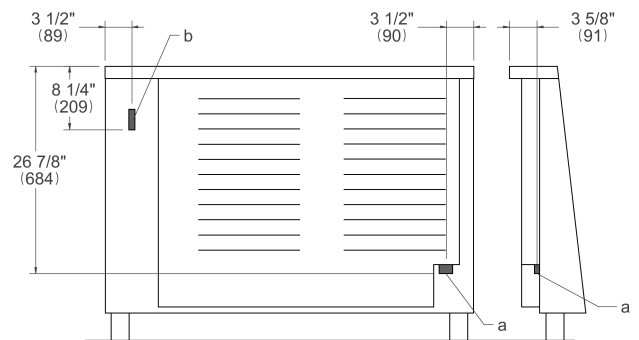
WORKTOP DETAILS



FRONT VIEW



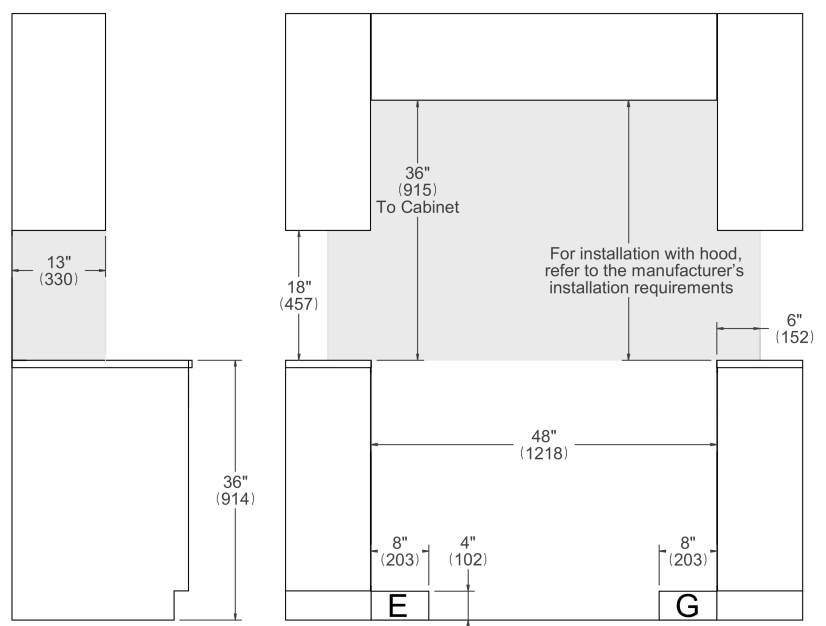
REAR VIEW



INSTALLATION

E A properly-grounded horizontally mounted electrical receptacle should be installed no higher than 3" (7.6 cm) above the floor, no less than 2" (5 cm) and no more than 8" (20,3 cm) from the left side (facing product). Check all local code requirements.

G Install agency approved, properly sized manual shut-off valve at max. height of 3" from floor, 2" min. height/ 8" max. height from the right side (facing product). Use approved shut-off valve & regulator gas connection, properly sized flex or rigid pipe. Check all local code requirements.



NOTE

- a. Electrical Connection
- b. Gas Connection

Disclaimer: while every effort has been made to insure the accuracy of the information contained in this document, Fratelli Bertazzoni reserves the right to change any part of the information at any time without notice. For detailed installation specifications consult the installation manual. Fratelli Bertazzoni, Bertazzoni and the winged wheel brand icon are registered trademarks of Bertazzoni Spa.