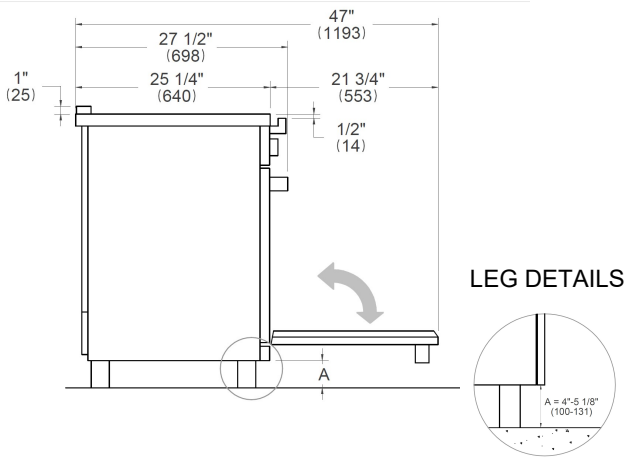
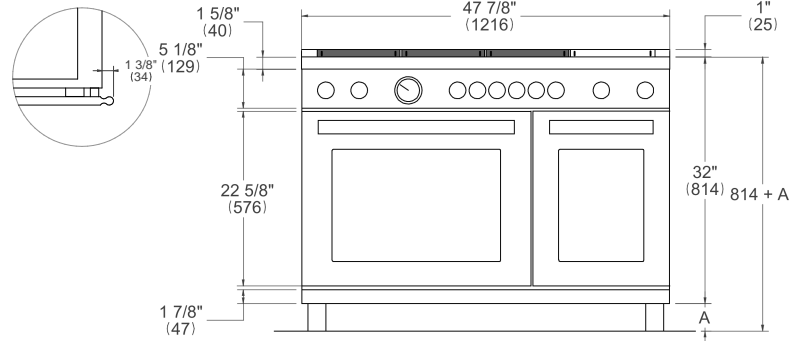


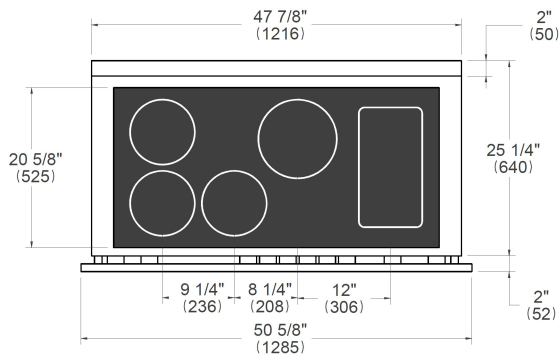
## SIDE VIEW



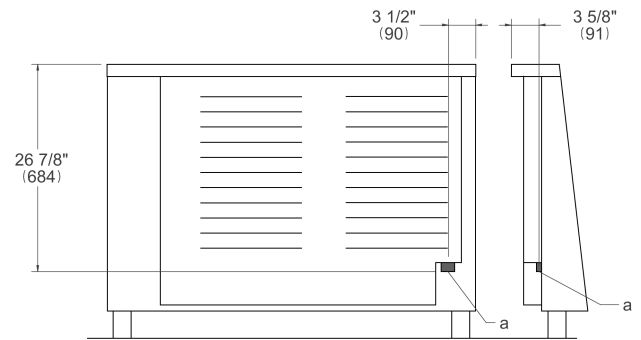
## UPPER DETAILS



## WORKTOP DETAILS



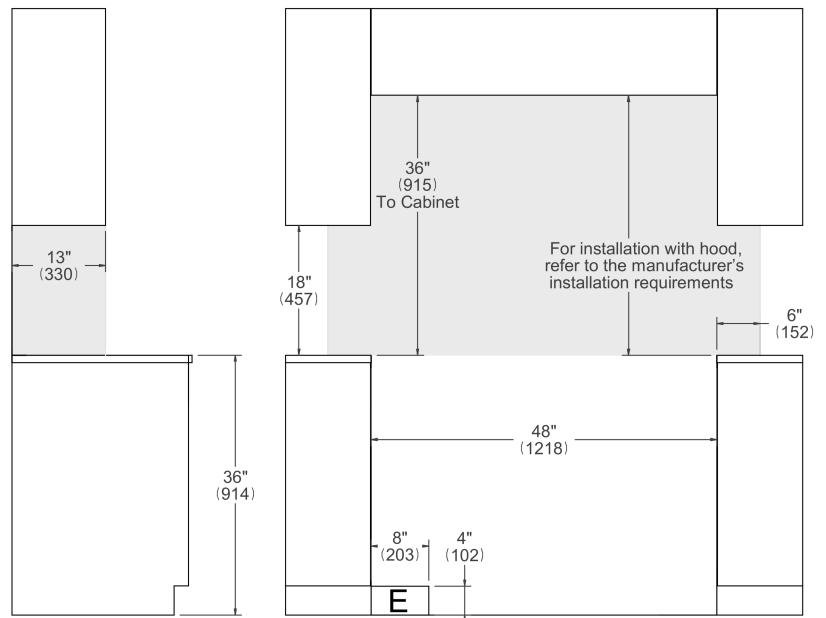
## REAR VIEW



## INSTALLATION

**E**

A properly-grounded horizontally mounted electrical receptacle should be installed no higher than 3" (7.6 cm) above the floor, no less than 2" (5 cm) and no more than 8" (20,3 cm) from the left side (facing product). Check all local code requirements.



## NOTE

- a. Electrical Connection
- b. Gas Connection