



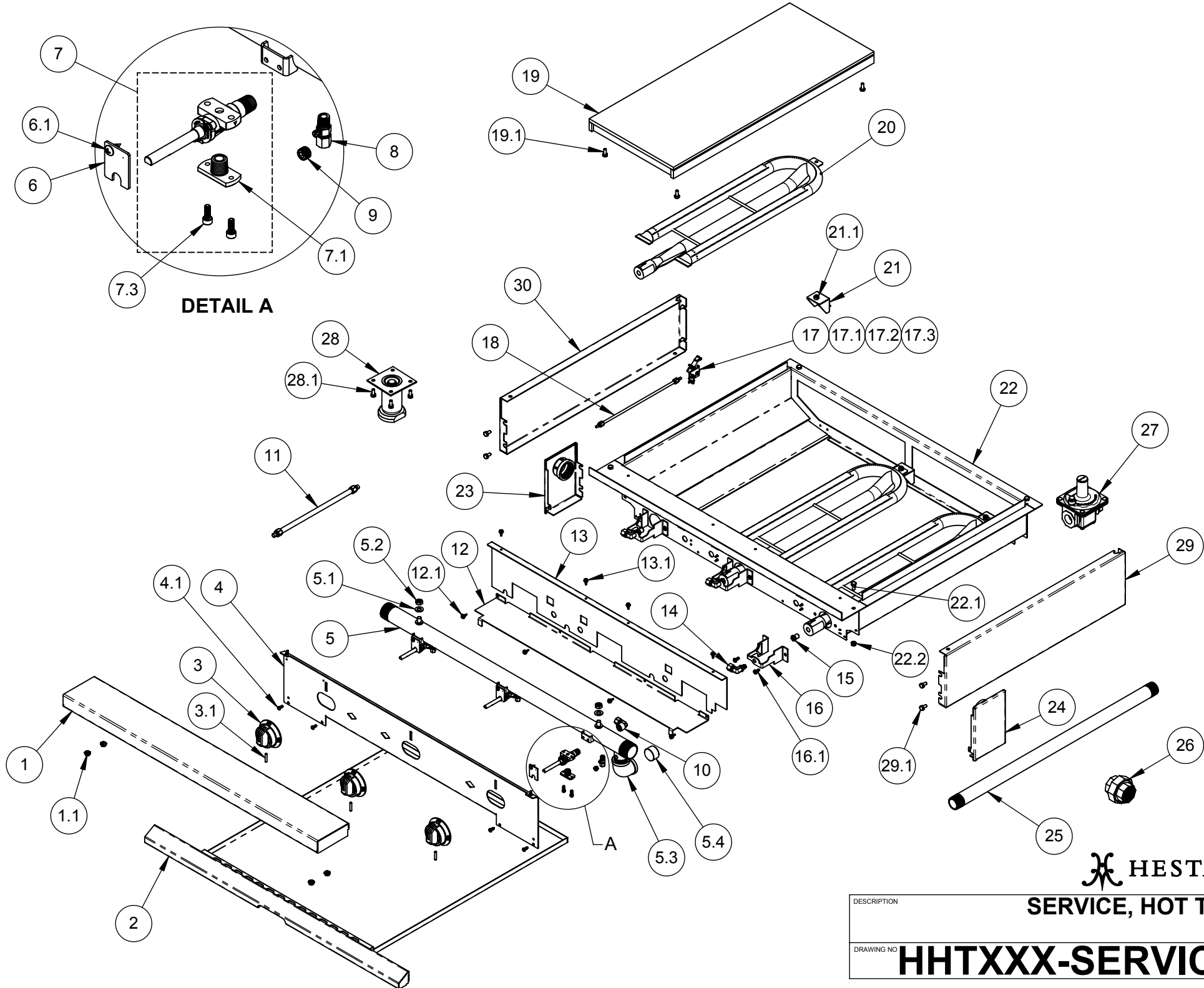
*Commercial Service Parts*

**HOT TOP (HHT)**

Hestan Commercial Corporation  
3375 E. La Palma Ave.  
Anaheim, CA 92806  
(888) 905-7463

RETAIN THIS FOR FUTURE REFERENCE

Revised: May 15, 2020  
Rev. C



**DETAIL A**

A



**SERVICE, HOT TOP**

|                       |
|-----------------------|
| DESCRIPTION           |
| DRAWING NO            |
| <b>HHTXXX-SERVICE</b> |

# HOT TOP - SERVICE PARTS LIST

| Item No. | Part No. | DESCRIPTION  | HHT12 | HHT18 | HHT242 | HHT362 | HHT363 |
|----------|----------|--|-------|-------|--------|--------|--------|
|          |          |  | QTY   | QTY   | QTY    | QTY    | QTY    |
| 1        | 003659   | PLATE SHELF, 12, W/A                                   | 1     | -     | -      | -      | -      |
|          | 003660   | PLATE SHELF, 18, W/A                                   | -     | 1     | -      | -      | -      |
|          | 003662   | PLATE SHELF, 24, W/A                                   | -     | -     | 1      | -      | -      |
|          | 003664   | PLATE SHELF, 36, W/A                                   | -     | -     | -      | 1      | 1      |
|          | 018046   | PLATE SHELF, 6" EXTENDED, WA, 12                       | 1     | -     | -      | -      | -      |
|          | 034423   | PLATE SHELF, 6" EXTENDED, WA, 18                       | -     | 1     | -      | -      | -      |
|          | 034424   | PLATE SHELF, 6" EXTENDED, WA, 24                       | -     | -     | 1      | -      | -      |
|          | 006053   | PLATE SHELF, 6" EXTENDED, WA, 36                       | -     | -     | -      | 1      | 1      |
|          | 034428   | PLATE SHELF, 8" EXTENDED, WA, 12                       | 1     | -     | -      | -      | -      |
|          | 034427   | PLATE SHELF, 8" EXTENDED, WA, 18                       | -     | 1     | -      | -      | -      |
|          | 034426   | PLATE SHELF, 8" EXTENDED, WA, 24                       | -     | -     | 1      | -      | -      |
|          | 006069   | PLATE SHELF, 8" EXTENDED, WA, 36                       | -     | -     | -      | 1      | 1      |
| 1.1      | 012685   | SERVICE, NUT, LOCK, SERR. FLANGE, 1/4-20, PKG 4        | 1     | 1     | 1      | 1      | 1      |
| 2        | 004762   | CHIN, CONTROL PANEL, 12", W/O HANDLE, ASSY             | 1     | -     | -      | -      | -      |
|          | 004763   | CHIN, CONTROL PANEL, 18", W/O HANDLE, ASSY             | -     | 1     | -      | -      | -      |
|          | 002927   | ASSY DRIP PAN, 24"                                     | -     | -     | 1      | -      | -      |
|          | 000373   | ASSY, DRIP PAN, 36"                                    | -     | -     | -      | 1      | 1      |
| 3        | 000130   | KNOB ASSY, ON-OFF, 100%                                | 1     | 1     | 2      | 2      | 3      |
| 3.1      | 014299   | SERVICE, SETSCREW, #10-24 X 1.000, CUP PT, SS, PKG 6   | 1     | 1     | 1      | 1      | 1      |
| 4        | 002885   | PANEL, CONTROL, HOT TOP, 12", ASSY                     | 1     | -     | -      | -      | -      |
|          | 002813   | PANEL, CONTROL, HOT TOP, 18", ASSY                     | -     | 1     | -      | -      | -      |
|          | 004569   | PANEL, CONTROL, HOT TOP, 24 - INDICATOR                | -     | -     | 1      | -      | -      |
|          | 004565   | PANEL, CONTROL, HOT TOP, 36-2 - INDICATOR              | -     | -     | -      | 1      | -      |
|          | 004245   | PANEL, CONTROL, HOT TOP, 36-3 - INDICATOR              | -     | -     | -      | -      | 1      |
| 4.1      | 012672   | SERVICE, SMS, #10-24 X 1/2, TYPE F, PH, PAN, SS, PKG 4 | 1     | 2     | 2      | 2      | 2      |
| 5        | 000722   | MANIFOLD, HOT TOP, 12", WA                             | 1     | -     | -      | -      | -      |
|          | 001182   | MANIFOLD, FT, PG, HT, 18, WA                           | -     | 1     | -      | -      | -      |
|          | 002527   | MANIFOLD, HOT TOP, 24, WA                              | -     | -     | 1      | -      | -      |
|          | 000592   | MANIFOLD, FT-HT, 36-2, WA                              | -     | -     | -      | 1      | -      |

| Item No. | Part No.   | DESCRIPTION                                | HHT12<br>QTY | HHT18<br>QTY | HHT242<br>QTY | HHT362<br>QTY | HHT363<br>QTY |
|----------|------------|--|--------------|--------------|---------------|---------------|---------------|
|          | 000714     | MANIFOLD, HOT TOP, 36-3, WA                | -            | -            | -             | -             | 1             |
| 5.1      | 012679     | SERVICE, WSH, FLAT, 3/8 SAE, PKG 4         | 1            | 1            | 1             | 1             | 1             |
| 5.2      | 012681     | SERVICE, NUT, 3/8-16 X .25, PKG 4          | 1            | 1            | 1             | 1             | 1             |
| 5.3      | 000256     | ELBOW, 1" NPT, IRON                        | 1            | 1            | 1             | 1             | 1             |
| 5.4      | 000258     | PLUG, SQUARE SOCKET, 1" NPT                | 1            | 1            | 1             | 1             | 1             |
| 6        | 001413     | BRACKET, VALVE ANTI-ROTATION               | 1            | 1            | 2             | 2             | 3             |
| 6.1      | 012689     | SERVICE, SMS, #10 X .5, PH, PAN, PKG 3     | 1            | 1            | 1             | 1             | 1             |
| 7        | 015662     | KIT, VALVE, ON-OFF, FLANGE-MOUNT, A23-F    | 1            | 1            | 2             | 2             | 3             |
| 7.1      | 015668     | VALVE BODY, ON-OFF, FLANGE-MOUNT, A23-F    | 1            | 1            | 2             | 2             | 3             |
| 7.2      | 004643     | FLANGED NIPPLE, 1/4 NPT                    | 1            | 1            | 2             | 2             | 3             |
| 7.3      | 012750     | SERVICE, SHCS, 10-24 X .500, SS, PKG 6     | 1            | 1            | 1             | 1             | 1             |
| 7.4      | 014103     | SERVICE, O-RING, FLANGED NIPPLE, PKG 6     | 1            | 1            | 1             | 1             | 1             |
| 8        | 000859     | VALVE, PILOT, 1/8NPT X 3/16 COMP, STRAIGHT | 1            | 1            | 2             | 2             | 3             |
| 9        | 000360     | PLUG, HEX SOCKET, 1/8 NPT                  | 1            | 1            | 1             | 1             | 1             |
| 10       | 002321     | ELBOW, ADAPTER, 1/4 NPT FEMALE X 3/8 CC    | 1            | 1            | 2             | 2             | 3             |
| 11       | 005682     | HOSE, FLEX, 3/8 OD, 12" F-F, NUT/FERRULE   | 1            | 1            | 2             | 2             | 3             |
| 12       | 002156     | HEAT SHIELD, HOT TOP, 12                   | 1            | -            | -             | -             | -             |
|          | 002264     | HEAT SHIELD, HOT TOP, 18                   | -            | 1            | -             | -             | -             |
|          | 002487     | HEAT SHIELD, HOT TOP, 24                   | -            | -            | 1             | -             | -             |
|          | 002448     | HEAT SHIELD, HOT TOP 36-2                  | -            | -            | -             | 1             | -             |
|          | 002086     | HEAT SHIELD, HOT TOP 36-3                  | -            | -            | -             | -             | 1             |
| 12.1     | 012676     | SERVICE, SMS, TEK, #10 X 1/2, ZN, PKG 8    | 1            | 1            | 1             | 1             | 1             |
| 13       | 001095     | BAFFLE, HOT TOP, 12                        | 1            | -            | -             | -             | -             |
|          | 001111     | BAFFLE, HOT TOP, 18                        | -            | 1            | -             | -             | -             |
|          | 001005     | BAFFLE, HOT TOP, 24                        | -            | -            | 1             | -             | -             |
|          | 003821     | BAFFLE, HOT TOP, 36-2                      | -            | -            | -             | 1             | -             |
|          | 000862     | BAFFLE, HOT TOP, 36-3                      | -            | -            | -             | -             | 1             |
| 13.1     | 012676     | SERVICE, SMS, TEK, #10 X 1/2, ZN, PKG 8    | 1            | 1            | 1             | 1             | 1             |
| 14       | 000917     | HOLDER, ORIFICE, BULKHEAD, SMALL           | 1            | 1            | 2             | 2             | 3             |
| 15       | 000293-033 | ORIFICE, HOOD, #33 (NG)                    | -            | 1            | -             | 2             | -             |
|          | 000293-040 | ORIFICE, HOOD, #40 (NG)                    | 1            | -            | 2             | -             | 3             |
|          | 000293-050 | ORIFICE, HOOD, #50 (LP)                    | -            | 1            | -             | 2             | -             |
|          | 000293-052 | ORIFICE, HOOD, #52 (LP)                    | 1            | -            | 2             | -             | 3             |
| 16       | 000932     | BULK HEAD BRACKET, FT HT PG                | 1            | 1            | 2             | 2             | 3             |

| Item No. | Part No. | DESCRIPTION                                      | HHT12 | HHT18 | HHT242 | HHT362 | HHT363 |
|----------|----------|--|-------|-------|--------|--------|--------|
|          |          |  | QTY   | QTY   | QTY    | QTY    | QTY    |
| 16.1     | 013390   | SERVICE, MS, 10-24 X .500, SL, HEXWAS, SS, PKG 4 | 1     | 1     | 1      | 1      | 2      |
| 17       | 000315   | PILOT ASSY, -B11H2, -NG                          | 1     | 1     | 2      | 2      | 3      |
|          | 015027   | PILOT ASSY, -B11H2, -LP                          | 1     | 1     | 2      | 2      | 3      |
| 17.1     | 001636   | BRACKET, PILOT, HOT TOP                          | 1     | 1     | 2      | 2      | 3      |
| 17.2     | 013391   | SERVICE, MS, 10-32 X .25, SS, PKG 4              | 1     | 1     | 1      | 1      | 1      |
| 17.3     | 012676   | SERVICE, SMS, TEK, #10 X 1/2, PKG 8              | 1     | 1     | 1      | 1      | 1      |
| 18       | 005687   | HOSE, FLEX, 3/16 OD, 12", F-F, NUT/FERRULE       | 1     | 1     | 2      | 2      | 3      |
| 19       | 002262   | PLATE, HOT TOP, 12", ASSY                        | 1     | -     | 2      | -      | 3      |
|          | 002670   | PLATE, HOT TOP, 18", ASSY                        | -     | 1     | -      | 2      | -      |
| 19.1     | 013389   | SERVICE, HEX BOLT, 1/4-20 X .625, SS, PKG 8      | 1     | 1     | 1      | 1      | 2      |
| 20       | 000514   | BURNER, U-TUBE, GRIDDLE/HOT TOP                  | 1     | 1     | 2      | 2      | 3      |
| 21       | 002552   | BURNER HANGER, HOT TOP, WA                       | 1     | 1     | 2      | 2      | 3      |
| 21.1     | 014155   | SERVICE, NUT, 1/4-20, ZN, PKG 4                  | 1     | 1     | 1      | 1      | 1      |
| 22       | 002625   | FIREBOX, HOT TOP, 12, WA                         | 1     | -     | -      | -      | -      |
|          | 001110   | FIREBOX, HOT TOP, 18, WA                         | -     | 1     | -      | 2      | -      |
|          | 002915   | FIREBOX, HOT TOP, 24, WA                         | -     | -     | 1      | -      | -      |
|          | 002449   | FIREBOX, CONNECTOR, HOT TOP, 36-2                | -     | -     | -      | 1      | -      |
|          | 002541   | FIREBOX, HOT TOP, 36-3, WA                       | -     | -     | -      | -      | 1      |
| 22.1     | 013389   | SERVICE, HEX BOLT, 1/4-20 X .625, PKG 8          | 1     | 1     | 1      | 1      | 1      |
| 22.2     | 012694   | SERVICE, NUT, KEPS, 1/4-20, ZN, PKG 3            | 1     | 1     | 1      | 1      | 1      |
| 23       | AHCCL    | CAP, MANIFOLD, LEFT, ASSY                        | 1     | 1     | 1      | 1      | 1      |
| 24       | AHCCR    | CAP, MANIFOLD, RIGHT, ASSY                       | 1     | 1     | 1      | 1      | 1      |
| 25       | AHRGC    | REAR GAS CONNECTION, 1" NPT                      | 1     | 1     | 1      | 1      | 1      |
| 26       | 000254   | UNION, 1.25" NPT                                 | -     | 1     | 1      | 1      | 1      |
| 27       | 004163   | REGULATOR, STRAIGHT-THRU, 1"NPT, NG              | 1     | 1     | 1      | 1      | 1      |
|          | 004162   | REGULATOR, STRAIGHT-THRU, 1"NPT, LP              | 1     | 1     | 1      | 1      | 1      |
|          | 004165   | REGULATOR, STRAIGHT-THRU, 1-1/4"NPT, NG          | 1     | 1     | 1      | 1      | 1      |
|          | 004164   | REGULATOR, STRAIGHT-THRU, 1-1/4"NPT, LP          | 1     | 1     | 1      | 1      | 1      |
| 28       | 000470   | ADJUSTABLE LEG, ASSY, 4"                         | 4     | 4     | 4      | 4      | 4      |
| 28.1     | 014191   | SERVICE, HEX BOLT, 1/4-20 X .625, SS, PKG 4      | 4     | 4     | 4      | 4      | 4      |
| 29       | 000122   | PANEL, SIDE, RH, RANGETOP                        | 1     | 1     | 1      | 1      | 1      |
| 30       | 000501   | PANEL, SIDE, LH, RANGETOP                        | 1     | 1     | 1      | 1      | 1      |
| 31       | 013303   | SERVICE, HB, 1/4-20 X .5, ZN, PKG 8              | 1     | 1     | 1      | 1      | 1      |