

**30", Left Side Opening Door,
Stainless Steel
HMV3051U**



**The Precisely Designed OTR Microwave is
a Perfect Match to the Sleek Design of the
Bosch Kitchen**

- **2-in-1 Experience:** offers a variety of cooking options by combining a microwave and convection oven.
- **Triple Distribution Turntable Disk:** provides improved distribution of microwave energy for more even cooking.
- **Reheat feature provides 3 quick preset settings based on serving size.**
- **SpeedChef™:** offers several cooking cycles for quick convenience.
- **Sensor Detection:** convenient automatic sensor programs simplify cooking for perfect and consistent results.

UPC code: 825225879046
Product color: Stainless Steel
Alternative colors available: HMV3021U, HMV3061U
Watts: 1550 W
Fuse protection: 15 A
Volts: 120 V
Frequency: 60 Hz
Plug Type: 120V-3 prong
Required Cutout Size (HxWxD) (in): 16 1/2" x 30" x 12 7/8"
Overall Appliance Dimensions (HxWxD) (in): . 16 1/2" x 29 7/8" x 15"
Product Packaging Dimensions (HxWxD): 20.07 x 33.26 x 19.29
Net Weight: 56.000 lbs
Gross Weight: 62.000 lbs



**30", Left Side Opening Door,
Stainless Steel
HMV3051U**

**The Precisely Designed OTR Microwave is
a Perfect Match to the Sleek Design of the
Bosch Kitchen**

Design

- Seamless Vent Cover Makes Clean Up a Breeze

Capacity

- 1.6 Cu. Ft. Oven Capacity

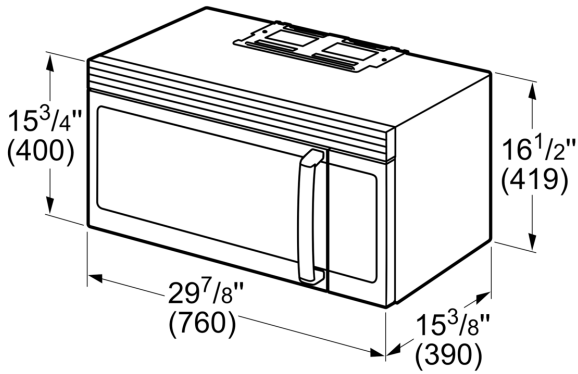
Efficiency

- Recirculation or Outside Venting Options - Up to 300 CFM
- 1,000 Cooking Watts
- Two 30 Watts Lights for Bright Cooktop Illumination

Convenience

- Timer With Cook Function and Automatic Shut Off
- Popcorn Program - Get Fully "Popped" Popcorn Simply by Entering the Bag Size
- Reheat Setting Automatically Determines Power Level and Cooking Time

**30", Left Side Opening Door,
Stainless Steel
HMV3051U**



Measurements in inches
(mm) in brackets

