

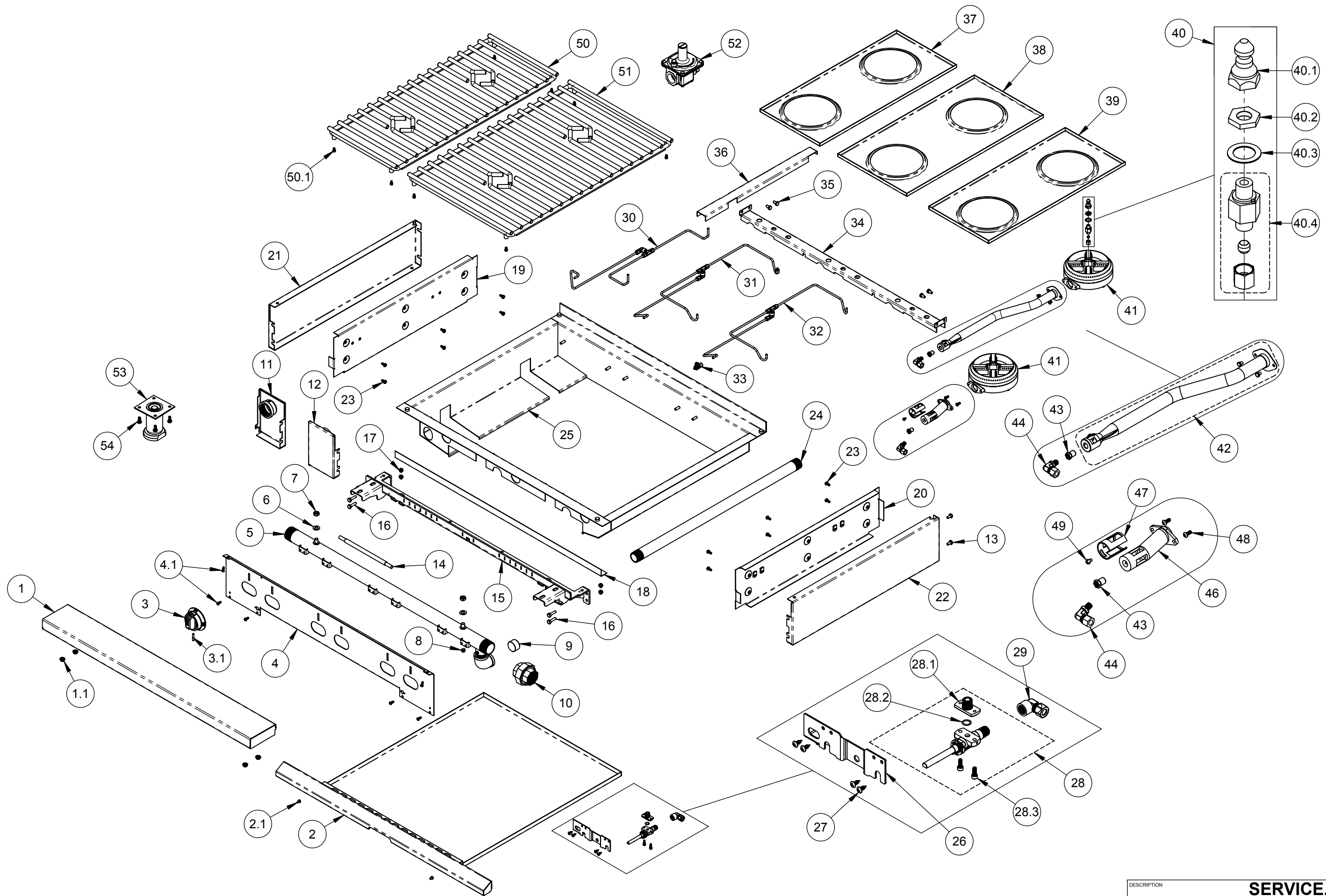
Commercial Service Parts

OPEN BURNER (HOP)

Hestan Commercial Corporation
3375 E. La Palma Ave.
Anaheim, CA 92806
(888) 905-7463

RETAIN THIS FOR FUTURE REFERENCE

Revised: May 15, 2020
Rev. B



DESCRIPTION	SERVICE, OPEN BURNER
DRAWING NO	HOPXXX-SERVICE

OPEN BURNER - SERVICE PARTS LIST

Item No.	Part No.	DESCRIPTION	HOP122	HOP182	HOP244	HOP364	HOP366
			QTY	QTY	QTY	QTY	QTY
1	003659	PLATE SHELF, 12, W/A	1	-	-	-	-
	003660	PLATE SHELF, 18, W/A	-	1	-	-	-
	003662	PLATE SHELF, 24, W/A	-	-	1	-	-
	003664	PLATE SHELF, 36, W/A	-	-	-	1	1
	018046	PLATE SHELF, 6" EXTENDED, WA, 12	1	-	-	-	-
	034423	PLATE SHELF, 6" EXTENDED, WA, 18	-	1	-	-	-
	034424	PLATE SHELF, 6" EXTENDED, WA, 24	-	-	1	-	-
	006053	PLATE SHELF, 6" EXTENDED, WA, 36	-	-	-	1	1
	034428	PLATE SHELF, 8" EXTENDED, WA, 12	1	-	-	-	-
	034427	PLATE SHELF, 8" EXTENDED, WA, 18	-	1	-	-	-
	034426	PLATE SHELF, 8" EXTENDED, WA, 24	-	-	1	-	-
006069	PLATE SHELF, 8" EXTENDED, WA, 36	-	-	-	1	1	
1.1	012685	NUT, LOCK, SERRATED FLANGE, 1/4-20, ZN	1	1	1	1	1
2	022953	ASSY., DRIP PAN, OPEN BURNER, 12	1	-	-	-	-
	000791	ASSY., DRIP PAN, CHAR-BROILER, 18	-	1	-	-	-
	002927	ASSY., DRIP PAN, CHAR-BROILER, 24	-	-	1	-	-
	000373	ASSY., DRIP PAN, CHAR-BROILER, 36	-	-	-	1	1
2.1	010237	SERVICE, MS, 10-24 X 1/4, HEXHD, SS, PKG 6	1	1	1	1	1
3	000130	KNOB ASSY., ON-OFF, 100% (INCL. SETSCREW)	2	2	4	4	6
3.1	014299	SERVICE, SETSCREW, #10-24 X 1.000, CUP PT., SS, PKG 6	1	1	1	1	1
4	011209	PANEL, CONTROL, SP,12-2 - INDICATOR	1	-	-	-	-
	011204	PANEL, CONTROL, SP,18-2 - INDICATOR	-	1	-	-	-
	013599	PANEL, CONTROL, SPLIT TOP, 24"-4 - INDICATOR	-	-	1	-	-
	010775	PANEL, CONTROL, SP, ST, SU, 36-4 - INDICATOR	-	-	-	1	-
	009953	PANEL, CONTROL, SP, ST, SU, 36-6 - INDICATOR	-	-	-	-	1
4.1	012672	SMS, 10-24 X 1/2, PH, PAN, TYPE F, SS, PKG 4	1	1	1	1	1
5	011177	MANIFOLD, SP, 12-2, WA	1	-	-	-	-
	011175	MANIFOLD, SP, 18-2, WA	-	1	-	-	-
	011172	MANIFOLD, SP, 24-4, WA	-	-	1	-	-
	010249	MANIFOLD, SP, ST, SU, 36-4, WA	-	-	-	1	-
	009946	MANIFOLD, SP, ST, SU, 36-6, WA	-	-	-	-	1
6	012679	SERVICE, WSH, FLAT, 3/8 SAE, PKG 4	1	1	1	1	1
7	012681	SERVICE, NUT, 3/8-16 X .25, PKG 4	1	1	1	1	1
8	000360	PLUG, HEX SOCKET, 1/8" NPT	3	3	5	5	7
9	000258	PLUG, SQUARE SOCKET, 1" NPT	1	1	1	1	1
10	000254	UNION, 1.25", NPT, SET	1	1	1	1	1
11	AHCL	CAP, MANIFOLD, ,LEFT, ASSY	1	1	1	1	1

Item No.	Part No.	DESCRIPTION	HOP122	HOP182	HOP244	HOP364	HOP366
			QTY	QTY	QTY	QTY	QTY
12	AHCCR	CAP, MANIFOLD, RIGHT, ASSY	1	1	1	1	1
13	013303	SERVICE, HB, 1/4-20 X .50, ZN, PKG. 8	1	1	1	1	1
14	009020	HOSE, FLEX, 3/8 OD, 9"	2	2	4	4	6
15	028679	RAIL, FRAME, RANGETOP, W/A, 12 (MODELS MFG. AFTER 4/2019 ONLY)	1	-	-	-	-
	028686	RAIL, FRAME, RANGETOP, W/A, 18 (MODELS MFG. AFTER 4/2019 ONLY)	-	1	-	-	-
	028702	RAIL, FRAME, RANGETOP, W/A, 24 (MODELS MFG. AFTER 4/2019 ONLY)	-	-	1	-	-
	027818	RAIL, FRAME, RANGETOP, W/A, 36 (MODELS MFG. AFTER 4/2019 ONLY)	-	-	-	1	1
16	014089	SERVICE, HB, 1/4-20 X 1.0, ZN, PKG 6	1	1	1	1	1
17	013957	SERVICE, NUT, LCK, EXPANDING, 1/4-20, SS, PKG 8	1	1	1	1	1
18	022737	COVER, ANGLE, PLATE SHELF, OPEN BURNER, 12	1	-	-	-	-
	022724	COVER, ANGLE, PLATE SHELF, OPEN BURNER, 18	-	1	-	-	-
	019159	COVER, ANGLE, PLATE SHELF, OPEN BURNER, 24	-	-	1	-	-
	019436	COVER, ANGLE, PLATE SHELF, OPEN BURNER, 36	-	-	-	1	1
19	022652-1	RETAINER, FRAME INSULATION, LH, OPEN BURNER (MODELS MFG. AFTER 4/2019 ONLY)	1	1	1	1	1
20	022652	RETAINER, FRAME INSULATION, RH, OPEN BURNER (MODELS MFG. AFTER 4/2019 ONLY)	1	1	1	1	1
21	000501	PANEL, SIDE, LH, RANGETOP	1	1	1	1	1
22	000122	PANEL, SIDE, RH, RANGETOP	1	1	1	1	1
23	013390	SERVICE, MS, 10-24 X .500, SL, HEXWAS, SS, PKG 4	3	3	3	3	3
24	AHRGC	REAR GAS CONNECTION, 1" NPT	1	1	1	1	1
25	022739	FIREBOX, OPEN BURNER, WA, 12	1	-	-	-	-
	022728	FIREBOX, OPEN BURNER, WA, 18	-	1	-	-	-
	019104	FIREBOX, OPEN BURNER, WA, 24	-	-	1	-	-
	022710	FIREBOX, OPEN BURNER, WA, 364	-	-	-	1	-
	019431	FIREBOX, OPEN BURNER, WA, 36	-	-	-	-	1
26	032498	BRACKET, ORIFICE, DUAL, OPEN BURNER	1	1	2	2	3
27	012689	SHEET METAL SCREW, #10 X .5, PH, PAN, PKG 3	2	2	3	3	4
28	015662	KIT, VALVE, ON-OFF, FLANGE-MOUNT, A23-F	2	2	4	4	6
28.1	004643	FLANGED NIPPLE, 1/4"NPT	2	2	4	4	6
28.2	014103	SERVICE, O-RING, FLANGED NIPPLE, PKG 6	1	1	1	1	1
28.3	012750	SERVICE, SHCS, #10-24 X .500, SS, PKG 6	1	1	2	2	2
29	002321	ELBOW, ADAPTER, 1/4 NPT FEMALE X 3/8 CC	2	2	4	4	6
30	022687	KIT, PILOT, OPEN BURNER, LEFT, ASSY	1	1	1	-	1
31	022838	KIT, PILOT, OPEN BURNER, LEFT, 18, ASSY	-	-	-	1	-
32	022665	KIT, PILOT, OPEN BURNER, RIGHT/CENTER, ASSY	-	-	1	1	2
33	000113	VALVE, PILOT, 1/8NPT x 3/16 COMP., ELBOW	1	1	2	2	3
34	022738	HANGER, REAR, OPEN BURNER, 12	2	-	-	-	-
	022725	HANGER, REAR, OPEN BURNER, 18	-	2	-	-	-
	019109	HANGER, REAR, OPEN BURNER, 24	-	-	2	-	-
	022709	HANGER, REAR, OPEN BURNER, 364	-	-	-	2	-
	019427	HANGER, REAR, OPEN BURNER, 36	-	-	-	-	2

Item No.	Part No.	DESCRIPTION	HOP122	HOP182	HOP244	HOP364	HOP366
			QTY	QTY	QTY	QTY	QTY
35	030128	SERVICE, HB, 1/4-20 X .500, SS, PKG 4	2	2	2	2	2
36	019113	COVER, PILOT LINE, OPEN BURNER	-	-	1	1	2
37	019658	PAN, BURNER, 12, LEFT, OPEN BURNER	-	-	1	-	1
	021309	PAN, BURNER, 18, LEFT, OPEN BURNER	-	-	-	1	-
38	021314	PAN, BURNER, 12, 2B, CENTER, OPEN BURNER	1	-	-	-	-
	021315	PAN, BURNER, 18, 2B, CENTER, OPEN BURNER	-	1	-	-	-
	021301	PAN, BURNER, 12, 6B, CENTER, OPEN BURNER	-	-	-	-	1
39	019664	PAN, BURNER, 12, RIGHT, OPEN BURNER	-	-	1	-	1
	021310	PAN, BURNER, 18, RIGHT, OPEN BURNER	-	-	-	1	-
40	030123	SERVICE, PILOT, SEALED BURNER, KIT	2	2	4	4	6
40.1	008771	PILOT, SEALED BURNER	2	2	4	4	6
40.2	014391	SERVICE, NUT, LOCK, PILOT, SEALED BURNER, PKG 3	1	1	2	2	2
40.3	014392	SERVICE, WASHER, BRASS, .500 ID X .750 OD X .025 THK, PKG 3	1	1	2	2	2
40.4	030121	SERVICE, PILOT ADAPTER, OPEN BURNER, KIT	2	2	4	4	6
41	030125	SERVICE, BURNER, OPEN BURNER, KIT	2	2	4	4	6
42	030126	SERVICE, VENTURI, REAR, OPEN BURNER	1	1	2	2	3
43	000293-038	ORIFICE, HOOD, NG *FOR NATURAL GAS SEA-LEVEL ONLY*	2	2	4	4	6
	000293-041	ORIFICE, HOOD, NG -H1 *FOR NATURAL GAS OVER 2k FT ONLY*	2	2	4	4	6
	000293-043	ORIFICE, HOOD, NG -H2 *FOR NATURAL OVER 6k FT ONLY*	2	2	4	4	6
	000293-053	ORIFICE, HOOD, LP *FOR LP GAS SEA-LEVEL ONLY*	2	2	4	4	6
	000293-054	ORIFICE, HOOD, LP -H1 *FOR LP GAS OVER 2k FT ONLY*	2	2	4	4	6
	000293-055	ORIFICE, HOOD, LP -H2 *FOR LP GAS ONLY OVER 6k FT ONLY*	2	2	4	4	6
44	000917	HOLDER, ORIFICE, BULKHEAD, SMALL	2	2	4	4	6
45	030127	SERVICE, VENTURI, FRONT, OPEN BURNER	1	1	2	2	3
46	027999	VENTURI, BRASS, FRONT, OPEN BURNER	1	1	2	2	3
47	030568	AIR SHUTTER, OPEN BURNER	1	1	2	2	3
48	034227	SERVICE, MS, 10-24 X .500, BH, HEX DRIVE, SS, PKG 6	1	1	1	1	1
49	011857	SERVICE, MS, 8-32 X .375, PH, PAN, SS, PKG 6	1	1	1	1	1
50	001290	GRATE, SEALED BURNER, COMBO, 12", ASSY	1	-	2	-	3
50.1	014398	SERVICE, SHCS, #10-24 X .313, SS, PKG 4	1	1	2	2	3
51	004333	GRATE, SEALED BURNER, COMBO, 18", ASSY	-	1	-	2	-
52	004163	REGULATOR, STRAIGHT-THRU, 1"NPT, NG	1	1	1	1	1
	004162	REGULATOR, STRAIGHT-THRU, 1"NPT, LP	1	1	1	1	1
	004165	REGULATOR, STRAIGHT-THRU, 1-1/4"NPT, NG	1	1	1	1	1
	004164	REGULATOR, STRAIGHT-THRU, 1-1/4"NPT, LP	1	1	1	1	1
53	000470	ADJUSTABLE LEG, ASSY, 4" *COUNTER TOP MODELS ONLY*	4	4	4	4	4
54	014191	SERVICE, HB, 1/4-20 X .625, SS, PKG 4 *CTR TOP MODELS ONLY*	4	4	4	4	4