

HR 1622-3 I

30" Range

All Electric model with induction cooktop and M Touch.



- Multicolored TFT touch display with clear text – M Touch
- State-of-the-art cooktop technology – four induction cooking zones
- Perfect baking and roasting results – Moisture plus
- Ergonomic and easy operation – motorized lift-up control panel
- Precise cooking temperature – Wireless Precision Probe

EAN: 4002516486640 / Material number: 11791520 /  
Old Material Number: 25162281USA

General information	
Model number	HR 1622-3 I
Manufacturer material number	11791520
EAN number	4002516486640
Marketing class	Diamond
Heating type	
Electric/Induction	•
Cooktop	Induction
Construction type and design	
Range	•
Appliance width in inches	30
Oven display	M Touch
Appliance color	Clean Touch Steel
Convenience features	
Wireless Precision Probe	•
Keep-warm function	•
Crisp function	•
Operating modes	
Defrost	•
Auto roast	•
Maxi Broil	•
Broil	•
Booster	•
Convection Bake	•
Convection Roast	•
Intensive	•
Moisture plus	•
Slow roast	•
Surround	•
Browning	•
Bake	•
Convection Roast	•
Special modes	•
Cooktop features	
Heating type	Induction
Number of induction cooking zones	4
Number of cooking zones with Booster function	4 cooking zones
Number of cooking zones with TwinBooster	2 cooking zones
Power level display	1 - 9
Number of cooking zones with keeping warm function	4 rings
Number of vario cooking zones	4 rings
Residual heat indicator	•
User convenience	
Networking with Miele@home	•
MotionReact proximity sensor	•
Precision knobs	•
Illuminated knob	•
SoftClose oven door/ SoftOpen	•

HR 1622-3 I

30" Range

All Electric model with induction cooktop and M Touch.



EAN: 4002516486640 / Material number: 11791520 /

Old Material Number: 25162281USA

ComfortSwivel handle	•
Motorized lift-up control panel	•
Time synchronization	•
Sabbath program	•
Automatic switch-off	•
MultiLingua	•
Acoustic signal when desired temperature is reached	•
MyMiele	•
Timed bursts of steam	•
Time of day display	•
Date display	•
Minute minder	•
Programmable cooking time	•
Actual temperature display	•
Default temperature	•
Favorites	•
Individual settings	•
<b>Oven compartment</b>	
Oven cavity volume in cu. ft. (l)	4.59 (130) ft <sup>3</sup> (l)
Number of oven shelf levels	6
No. of halogen lamps	double
TwinPower hot air fans	•
<b>Efficiency and sustainability</b>	
Automatic residual heat utilization	•
Energy-saving lighting circuit	•
<b>Cleaning convenience</b>	
Stainless-steel front with partial Clean Touch Steel finish	•
Oven with self-cleaning program	•
Cooktop surface	Ceramic surface
CleanGlass door	•
<b>Safety</b>	
Appliance cooling system and cool touch front	•
Safety cut-out	•
System lock	•
Door contact switch	•
Door lock during self cleaning	•
<b>Technical data</b>	
Appliance height min in in.(mm)	35 5/8 (902)
Dimensions (depth) in in. (mm) with bullnose	27 3/4 (702)
Appliance height max in in.(mm)	37 1/8 (940)
Plug type	NEMA plug: 14-50
Fresh water connection for Moisture Plus	•
Plumbed water connection for Moisture Plus	1.5
Appliance width in in. (mm)	30 (762)
Frequency in Hz	60
Power Rating in V	120
Voltage in V	240/208
Fuse rating in A	50

HR 1622-3 I

30" Range

All Electric model with induction cooktop and M Touch.



EAN: 4002516486640 / Material number: 11791520 /

Old Material Number: 25162281USA

Number of phases 1

**Standard accessories**

Anti-splash insert 1

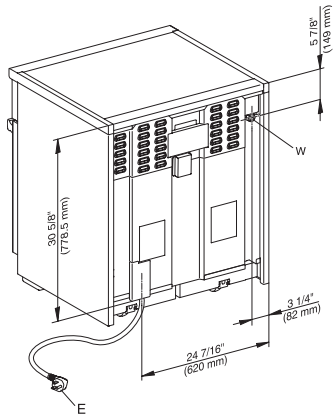
Self Clean ready baking and roasting rack 2

Self clean ready baking and roasting racks with rail system 1

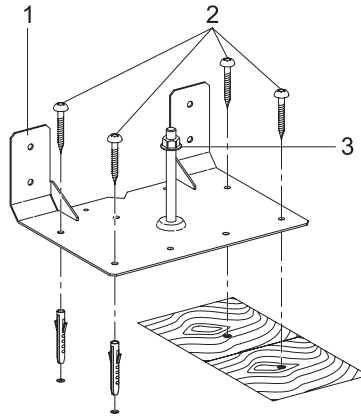
Side racks self clean ready 1

PerfectClean perforated baking tray 1

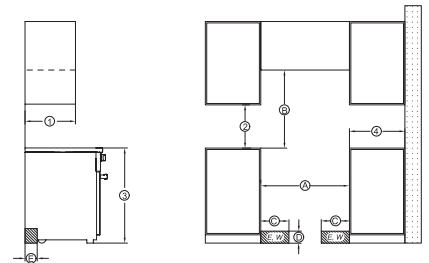
HR 1622-3 I  
30" Range  
All Electric model with induction cooktop and M Touch.



HR1622, HR1622-2, HR1622-3i (Installation drawing)  
E = Electric connection, W = Water connection

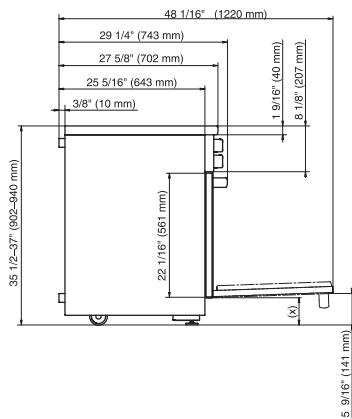


HR11xx, HR19xx, HR 17xx – Installation drawing  
1 Anti-tip device, 2 Screws, 3 Locking nut

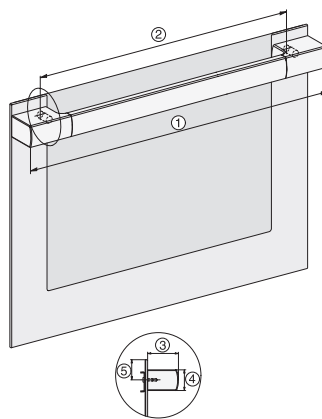


HR1422-3i, HR1622-3i, HR1432-3i, HR1632-3i –  
Installation drawing

① Maximum depth of top cabinet, ② Minimum distance to bottom edge of top cabinet, ③ Distance from the floor to cooktop surface, ④ Minimum distance to combustible surfaces, E = Electric connection, W = Water connection, (A) Width of cabinet opening, (B) Minimum distance between the top of the cooking area and the bottom of an unprotected combustible surface, Minimum distance to a protected combustible surface or when a Miele Ventilation Hood is installed. For all other Hoods please consult the manufacturer's specifications for required distances., (C) Maximum connection width right and left, (E) Maximum connection height

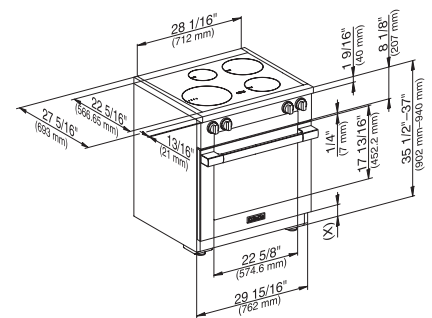


HR1622-3i Side view, (\*Fußnote) installation drawing  
(x) = Toe-kick height adjustment 5" – 6 1/2" (127 mm – 165.1 mm)



HR11xx-3, HR14xx-3, HR16xx-3i, HR17xx-3,  
HR19xx-3 installation drawings

30", ① 20 3/4" / 527,6 mm, ② 16 5/8" / 422,6 mm, ③ 2 1/2" / 64 mm, ④ 1 11/16" / 43 mm, ⑤ 1 11/16" / 42,5 mm, ⑥ 36", ⑦ 28 9/16" / 725 mm, ⑧ 22 5/8" / 575 mm, ⑨ 2 1/2" / 64 mm, ⑩ 1 11/16" / 43 mm, ⑪ 1 11/16" / 42,5 mm



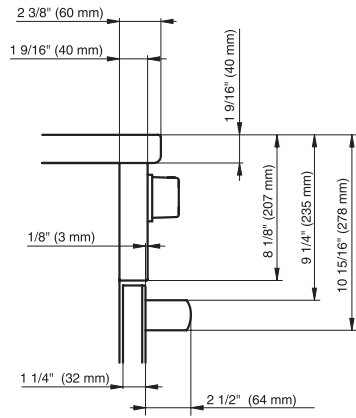
HR1622-3i (installation drawing)

(x) = Toe-kick height adjustment 5" – 6 1/2" (127 mm – 165.1 mm)

HR 1622-3 I

30" Range

All Electric model with induction cooktop and M Touch.



HR1622-3i, HR1632-3i (installation drawing)