

HR 1934-3 LP DF  
36" Range  
Dual Fuel model with M Touch controls



- Network-enabled WiFi appliance – Miele@home
- Plenty of space for cooking – six powerful burners
- Perfect baking and roasting results – Moisture plus
- Ergonomic and easy operation – motorized lift-up control panel
- Precise cooking temperature – Wireless Precision Probe

EAN: 4002516486787 / Material number: 11791590 /  
Old Material Number: 25193482USA

General information	
Model number	HR 1934-3 LP DF
Manufacturer material number	11791590
EAN number	4002516486787
Marketing class	Diamond
Heating type	
Dual fuel	•
Gas type	Liquid propane
Construction type and design	
Range	•
Appliance width in inches	36
Oven display	M Touch
Appliance color	Clean Touch Steel
Convenience features	
Wireless Precision Probe	•
Keep-warm function	•
Crisp function	•
Operating modes	
Defrost	•
Auto roast	•
Maxi Broil	•
Broil	•
Booster	•
Convection Bake	•
Convection Roast	•
Intensive	•
Moisture plus	•
Slow roast	•
Surround	•
Browning	•
Bake	•
Convection Roast	•
Special modes	•
Cooktop features	
Number of gas burners	6
Number of TrueSimmer burners x power in BTU	1 x 12 500 BTU/hod.
Number of power burners x power in BTU	2 x 13.00
Number of high burners x power in BTU	3 x 19.50
True Simmer function	•
GasStop	•
User convenience	
Networking with Miele@home	•
MotionReact proximity sensor	•
Precision knobs	•
Illuminated knob	•
SoftClose oven door/ SoftOpen	•
ComfortSwivel handle	•
Motorized lift-up control panel	•

HR 1934-3 LP DF  
36" Range  
Dual Fuel model with M Touch controls



EAN: 4002516486787 / Material number: 11791590 /  
Old Material Number: 25193482USA

Time synchronization	•
Sabbath program	•
Automatic switch-off	•
MultiLingua	•
Acoustic signal when desired temperature is reached	•
MyMiele	•
Timed bursts of steam	•
Time of day display	•
Date display	•
Minute minder	•
Programmable cooking time	•
Actual temperature display	•
Default temperature	•
Favorites	•
Individual settings	•
<b>Oven compartment</b>	
Oven cavity volume in cu. ft. (l)	5.76 (163) ft <sup>3</sup> (l)
Number of oven shelf levels	6
No. of halogen lamps	double
TwinPower hot air fans	•
<b>Efficiency and sustainability</b>	
Automatic residual heat utilization	•
Energy-saving lighting circuit	•
<b>Cleaning convenience</b>	
Stainless-steel front with partial Clean Touch Steel finish	•
Oven with self-cleaning program	•
Catalyzer	•
ComfortClean dishwasher-safe grates	•
Cooktop surface	Black enamel
CleanGlass door	•
<b>Safety</b>	
Appliance cooling system and cool touch front	•
Safety cut-out	•
System lock	•
Door contact switch	•
Door lock during self cleaning	•
<b>Technical data</b>	
Appliance height min in in.(mm)	37 1/8 (942)
Dimensions (depth) in in. (mm) with bullnose	27 3/4 (702)
Appliance height max in in.(mm)	38 5/8 (980)
Plug type	NEMA plug: 14-30
Fresh water connection for Moisture Plus	•
Plumbed water connection for Moisture Plus	1.5
Appliance width in in. (mm)	36 1/8 (915)
Frequency in Hz	60
Power Rating in V	120
Voltage in V	240/208
Fuse rating in A	30

HR 1934-3 LP DF

36" Range

Dual Fuel model with M Touch controls



EAN: 4002516486787 / Material number: 11791590 /

Old Material Number: 25193482USA

Number of phases 1

**Standard accessories**

Anti-splash insert 1

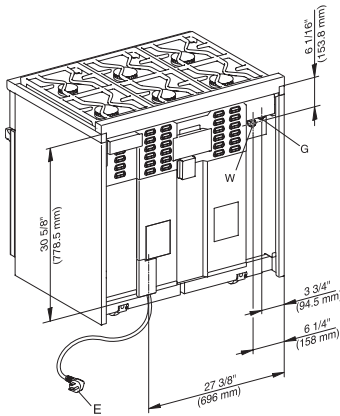
Self Clean ready baking and roasting rack 2

Self clean ready baking and roasting racks with rail system 1

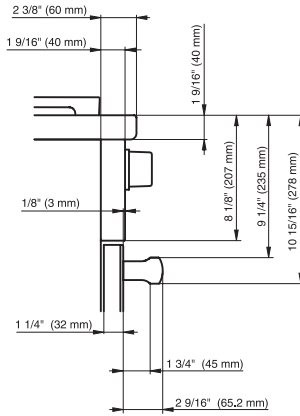
Side racks self clean ready 1

PerfectClean perforated baking tray 1

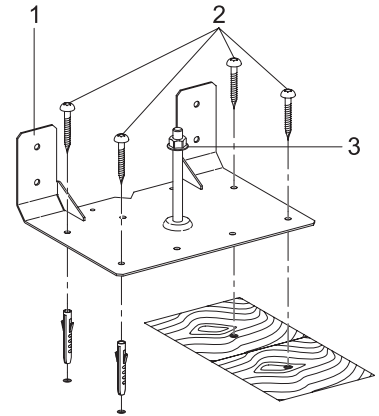
HR 1934-3 LP DF  
36" Range  
Dual Fuel model with M Touch controls



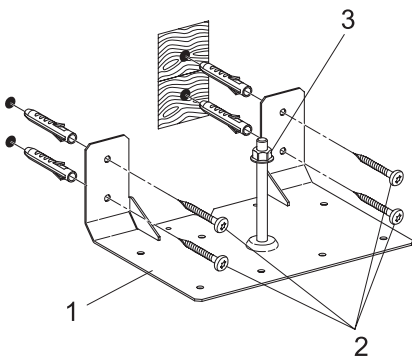
HR1934G, HR1934-2, HR1934-3 (installation drawing)  
E = Electric Connection, W = Water connection, G = Gas connection



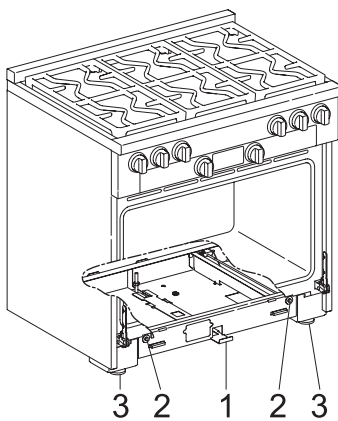
HR19x4, HR193x, HR195x (installation drawing)  
(x) = Toe-kick height adjustment 5" – 6 1/2" (127 mm – 165.1 mm)



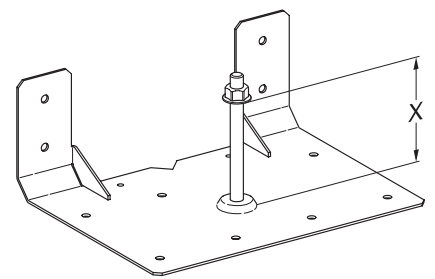
HR11xx, HR19xx, HR17xx – Installation drawing  
1 Anti-tip device, 2 Screws, 3 Locking nut



HR11xx, HR19xx – Installation drawing  
1 Anti-tip device, 2 Screws, 3 Locking nut

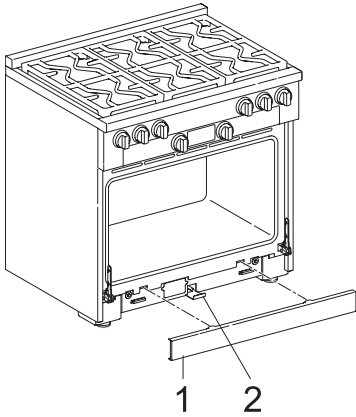


HR11xx, HR19xx, HR17xx – Installation drawing  
1 Anti-tip device, 2 Screws, 3 Locking nut



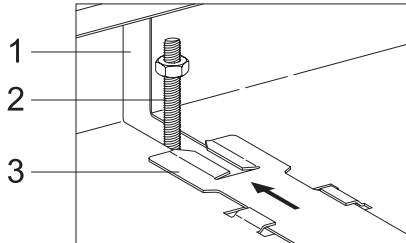
HR11xx, HR19xx, HR17xx – Installation drawing  
X 3 13/16" (97 mm): HR1124, HR1134, HR1135, HR1136, HR1724, HR1924, HR1934, HR1935, HR1936, HR1954, HR1955, HR1956, X 3 1/4" (82 mm): HR1134-2, HR1134-3, HR1135-2, HR1135-3, HR1136-2, HR1136-3, HR1924-2, HR1924-3, HR1934-2, HR1934-3, HR1935-2, HR1935-3, HR1936-2, HR1936-3, HR1954-2, HR1954-3, HR1955-2, HR1955-3, HR1956-2, HR1956-3

HR 1934-3 LP DF  
36" Range  
Dual Fuel model with M Touch controls



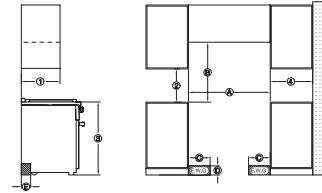
HR11xx, HR19xx, HR17xx – Installation drawing

1 Toe kick cover , 2 Locking clamp



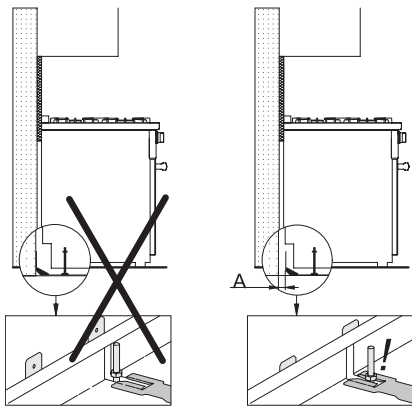
HR11xx, HR19xx, HR17xx – Installation drawing

1 Opening in the range housing , 2 Bolt of the anti-tip device , 3 Locking clamp with slot



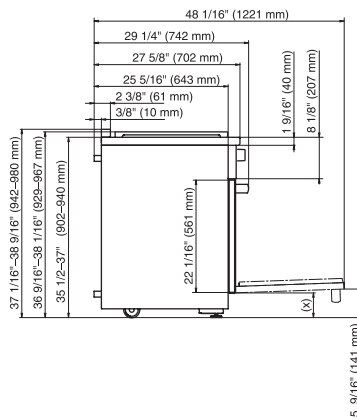
HR19xx – Installation drawing

① Maximum depth of top cabinet , ② Minimum distance to bottom edge of top cabinet , ③ Distance from the floor to cooktop surface , ④ Minimum distance to combustible surfaces , E = Electric connection , W = Water connection , G = Gas connection , (A) Width of cabinet opening , (B) Minimum distance between the top of the cooking area and the bottom of an unprotected combustible surface. Minimum distance to a protected combustible surface or when a Miele Ventilation Hood is installed. For all other Hoods please consult the manufacturer's specifications for required distances. , (C) Maximum connection width right and left , (D) Maximum connection height , (E) Maximum connection depth



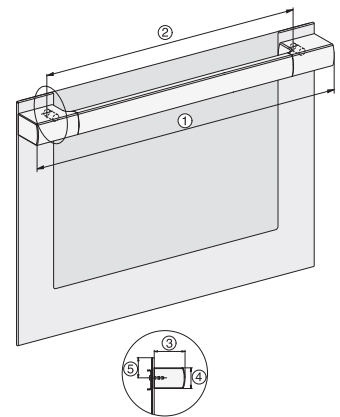
HR11xx, HR19xx, HR17xx – Installation drawing

A = Distance between the rear of the range to the supporting wall



HR1924-3, HR1934-3, HR1935-3, HR1936-3, (\*Fußnote) Side view, installation drawing

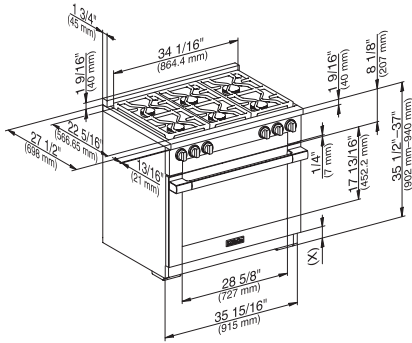
(x) = Toe-kick height adjustment 5" – 6 1/2" (127 mm – 165.1 mm)



HR11xx-3, HR14xx-3, HR16xx-3i, HR17xx-3, HR19xx-3 installation drawings

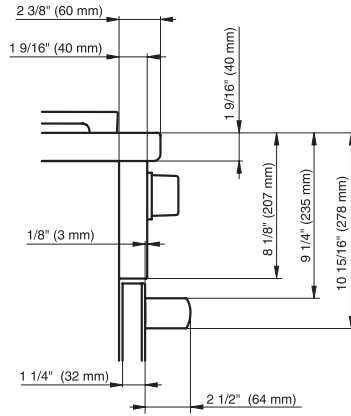
30", ② 20 3/4" / 527,6 mm, ③ 16 5/8" / 422,6 mm, ④ 2 1/2" / 64 mm, ⑤ 1 11/16" / 43 mm, ⑥ 1 11/16" / 42,5 mm, , 36", ⑦ 28 9/16" / 725 mm, ⑧ 22 5/8" / 575 mm, ⑨ 2 1/2" / 64 mm, ⑩ 1 11/16" / 43 mm, ⑪ 1 11/16" / 42,5 mm

HR 1934-3 LP DF  
 36" Range  
 Dual Fuel model with M Touch controls



HR1934-3 (installation drawing)

(x) = Toe-kick height adjustment 5" – 6 1/2" (127 mm – 165.1 mm)



HR1924-3, HR1934-3, HR1935-3, HR1936-3, HR1954-3, HR1955-3, HR1956-3 (installation drawing)