

HR 1955-3 G DF GR

48 inch range

Dual Fuel model with M Touch controls



- Network-enabled WiFi appliance – Miele@home
- Maximum variety – six powerful burners and a grill
- Speed oven for a maximum variety of uses
- Perfect baking and roasting results – Moisture plus
- Precise cooking temperature – Wireless Precision Probe

EAN: 4002516487128 / Material number: 11791690 /
Old Material Number: 25195581USA

General information	
Model number	HR 1955-3 G DF GR
Manufacturer material number	11791690
EAN number	4002516487128
Marketing class	Diamond
Heating type	
Dual fuel	•
Gas type	Natural gas
Construction type and design	
Range including speed oven and gourmet drawer	•
Appliance width in inches	48
Oven display	M Touch
Speed Oven display	M Touch / M Touch
Appliance color	Clean Touch Steel
Convenience features	
Precise speed oven temperature regulation in °F (°C)	85-475 (30-250)
Precise electronic temperature regulation of the Gourmet warming drawer from 104 to 185°F (40 to 85°C)	•
Microwave power levels	1 - 7
Wireless Precision Probe	•
Roast probe- speed oven	•
Keep-warm function	•
Crisp function	•
Operating modes	
Defrost	•
Speed Oven MasterChef automatic programs	•
Auto roast	•
Maxi Broil	•
Broil	•
Booster	•
Convection Bake	•
Convection Roast	•
Intensive	•
Moisture plus	•
Slow roast	•
Microwave	•
Combi Auto Roast	•
Micro Broil	•
Combi Bake	•
Combi Broil	•
Surround	•
Browning	•
Bake	•
Convection Roast	•
Warm cups	•
Warm plates	•
Keep food at serving temperature	•
Low-temperature cooking	•

HR 1955-3 G DF GR
48 inch range
Dual Fuel model with M Touch controls



EAN: 4002516487128 / Material number: 11791690 /
Old Material Number: 25195581USA

Special modes

•

Cooktop features

Number of gas burners	6
Number of TrueSimmer burners x power in BTU	2 x 10.00
Number of power burners x power in BTU	1 x 13.60
Number of high burners x power in BTU	3 x 19.50
True Simmer function	•
GasStop	•
Number and power rating of grill surface in BTU/h	1 x 19,000
Width of broil surface in in.(mm)	10 1/4 (258) in (mm)
Depth of broil surface in in.(mm)	17 1/8 (434) in (mm)

User convenience

Networking with Miele@home	•
MotionReact proximity sensor	•
Precision knobs	•
Illuminated knob	•
SoftClose oven door/ SoftOpen	•
ComfortSwivel handle	•
Motorized lift-up control panel	•
Time synchronization	•
Sabbath program	•
Automatic switch-off	•
MultiLingua	•
Acoustic signal when desired temperature is reached	•
MyMiele	•
Warming drawer capacity	6 place settings
Microwave popcorn function	•
Recommended microwave output for each mode	•
Timed bursts of steam	•
Fully telescopic for easy loading and unloading of the gourmet drawer	•
Gourmet drawer with push-to-open mechanism	•
Time of day display	•
Date display	•
Minute minder	•
Programmable cooking time	•
Actual temperature display	•
Default temperature	•
Minute Plus button	•
Favorites	•
Individual settings	•

Oven compartment

Oven cavity volume in cu. ft. (l)	3.21 (91) ft ³ (l)
Speed oven cavity volume in cu.ft. (l)	1.52 (43)
Number of oven shelf levels	5
Number of Speed Oven shelf levels	3
No. of halogen lamps	triple in oven/single in speed oven

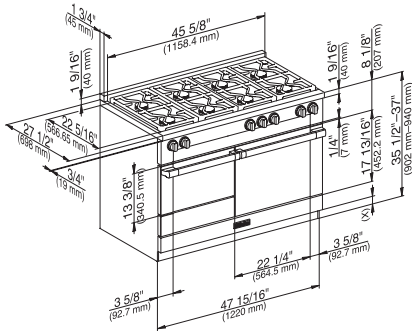
HR 1955-3 G DF GR
 48 inch range
 Dual Fuel model with M Touch controls



EAN: 4002516487128 / Material number: 11791690 /
 Old Material Number: 25195581USA

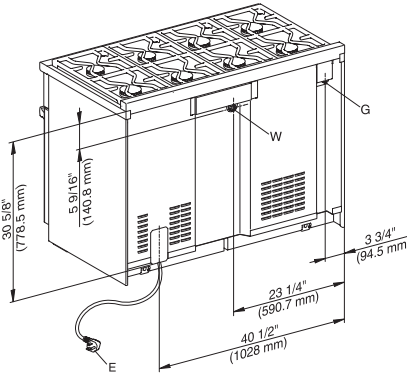
Efficiency and sustainability	
Automatic residual heat utilization	•
Energy-saving lighting circuit	•
Cleaning convenience	
Stainless-steel front with partial Clean Touch Steel finish	•
Stainless-steel Speed Oven interior with PerfectClean and linen-weave finish	•
Oven with self-cleaning program	•
Catalyzer	•
ComfortClean dishwasher-safe grates	•
Cooktop surface	Black enamel
CleanGlass door	•
Safety	
Appliance cooling system and cool touch front	•
Safety cut-out	•
Anti-slip liner in the gourmet drawer	•
System lock	•
Door contact switch	•
Door lock during self cleaning	•
Technical data	
Appliance height min in in.(mm)	37 1/8 (942)
Dimensions (depth) in in. (mm) with bullnose	27 3/4 (702)
Appliance height max in in.(mm)	38 5/8 (980)
Plug type	NEMA plug: 14-50
Fresh water connection for Moisture Plus	•
Plumbed water connection for Moisture Plus	3.0
Appliance width in in. (mm)	48 1/8 (1220)
Frequency in Hz	60
Power Rating in V	120
Voltage in V	240/208
Fuse rating in A	50
Number of phases	1
Standard accessories	
Anti-splash insert	1
Baking and roasting rack with PerfectClean	1
Self Clean ready baking and roasting rack	3
FlexiClip runners Self Clean ready	2
Side racks self clean ready	1
PerfectClean perforated baking tray	1
Glass tray	2

HR 1955-3 G DF GR
48 inch range
Dual Fuel model with M Touch controls



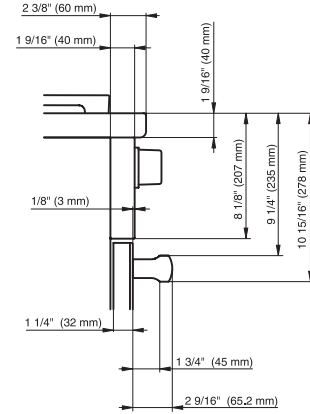
HR1954G, HR1954-2 (installation drawing)

(x) = Depending on the appliance height adjustment: 4" – 5 1/2" (101.6 mm – 139.7 mm)



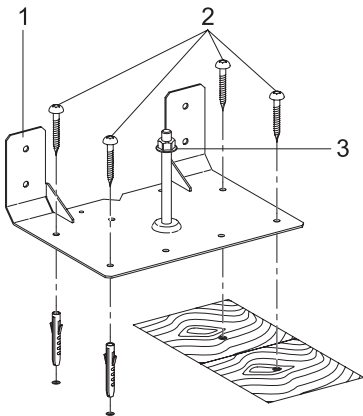
HR1954G, HR1954-2, HR1954-3 (installation drawing)

E = Electric Connection, W = Water connection, G = Gas connection



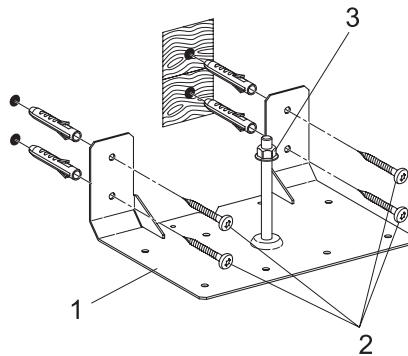
HR19x4, HR193x, HR195x (installation drawing)

(x) = Toe-kick height adjustment 5" – 6 1/2" (127 mm – 165.1 mm)



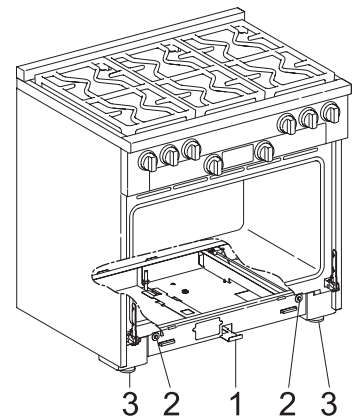
HR11xx, HR19xx, HR17xx – Installation drawing

1 Anti-tip device, 2 Screws, 3 Locking nut



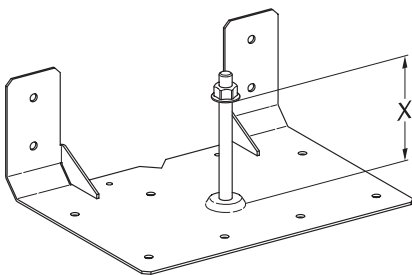
HR11xx, HR19xx – Installation drawing

1 Anti-tip device, 2 Screws, 3 Locking nut



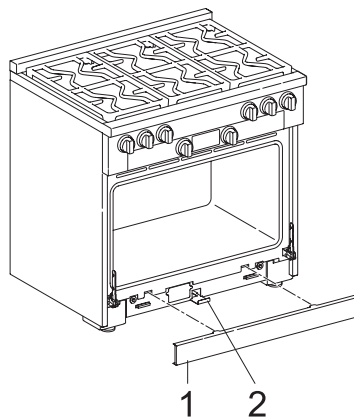
HR11xx, HR19xx, HR17xx – Installation drawing

1 Anti-tip device, 2 Screws, 3 Locking nut



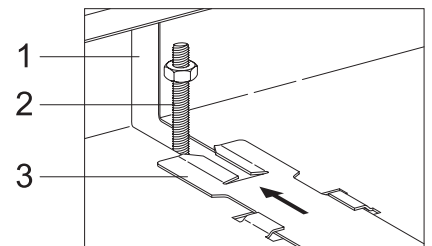
HR11xx, HR19xx, HR17xx – Installation drawing

X 3 13/16" (97 mm): HR1124, HR1134, HR1135, HR1136, HR1724, HR1924, HR1934, HR1935, HR1936, HR1954, HR1955, HR1956, X 3 1/4" (82 mm): HR1134-2, HR1134-3, HR1135-2, HR1135-3, HR1136-2, HR1136-3, HR1924-2, HR1924-3, HR1934-2, HR1934-3, HR1935-2, HR1935-3, HR1936-2, HR1936-3, HR1954-2, HR1954-3, HR1955-2, HR1955-3, HR1956-2, HR1956-3



HR11xx, HR19xx, HR17xx – Installation drawing

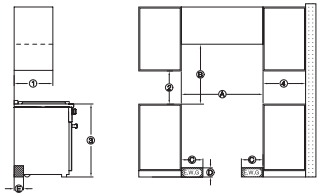
1 Toe kick cover, 2 Locking clamp



HR11xx, HR19xx, HR17xx – Installation drawing

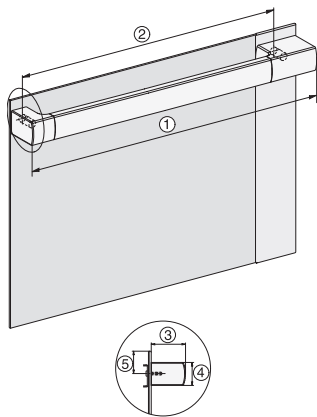
1 Opening in the range housing, 2 Bolt of the anti-tip device, 3 Locking clamp with slot

HR 1955-3 G DF GR 48 inch range Dual Fuel model with M Touch controls

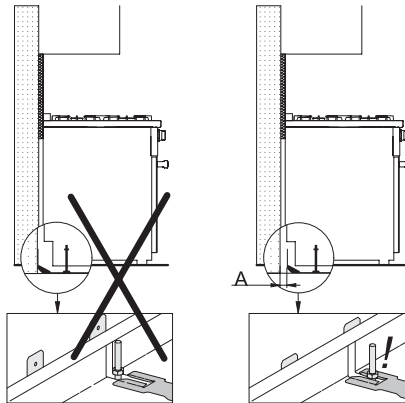


HR19xx – Installation drawing

② Maximum depth of top cabinet, ② Minimum distance to bottom edge of top cabinet, ② Distance from the floor to cooktop surface, ② Minimum distance to combustible surfaces, E = Electric connection, W = Water connection, G = Gas connection, (A) Width of cabinet opening, (B) Minimum distance between the top of the cooking area and the bottom of an unprotected combustible surface. Minimum distance to a protected combustible surface or when a Miele Ventilation Hood is installed. For all other Hoods please consult the manufacturer's specifications for required distances., (C) Maximum connection width right and left, (D) Maximum connection height, (E) Maximum connection depth

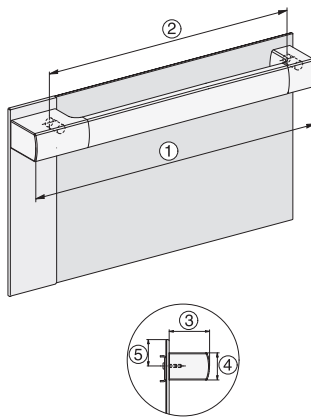


HR1954-3, HR1955-3, HR1956-3 installation drawings
48", ② 22 1/16" / 560,55 mm, ② 18" / 456,55 mm, ② 2 1/2" / 64 mm, ② 1 11/16" / 43 mm, ② 1 1/2" / 38,5 mm

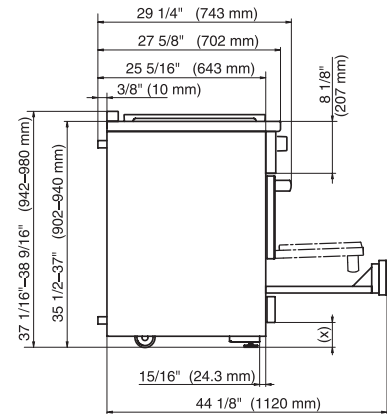


HR11xx, HR19xx, HR17xx – Installation drawing

A = Distance between the rear of the range to the supporting wall

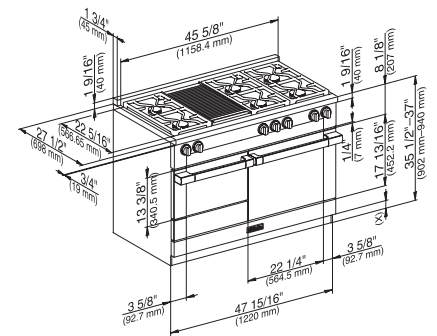


HR1954-3, HR1955-3, HR1956-3, installation drawings
48", ② 18 1/16" / 458,25 mm, ② 13 15/16" / 354,25 mm, ② 2 1/2" / 64 mm, ② 1 11/16" / 43 mm, ② 1 1/2" / 38,5 mm



HR1954-3, HR1955-3, HR1956-3, Side view, (*Fußnote) installation drawing

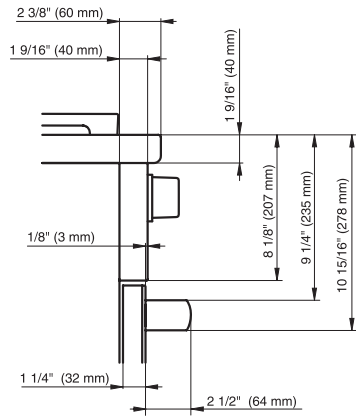
(x) = Depending on the appliance height adjustment: 4" – 5 1/2" (101.6 mm – 139.7 mm)



HR1955-3 (installation drawing)

(x) = Toe-kick height adjustment 4" – 5 1/2" (101.6 mm – 139.7 mm)

HR 1955-3 G DF GR
48 inch range
Dual Fuel model with M Touch controls



HR1924-3, HR1934-3, HR1935-3, HR1936-3, HR1954-3, HR1955-3, HR1956-3 (installation drawing)