



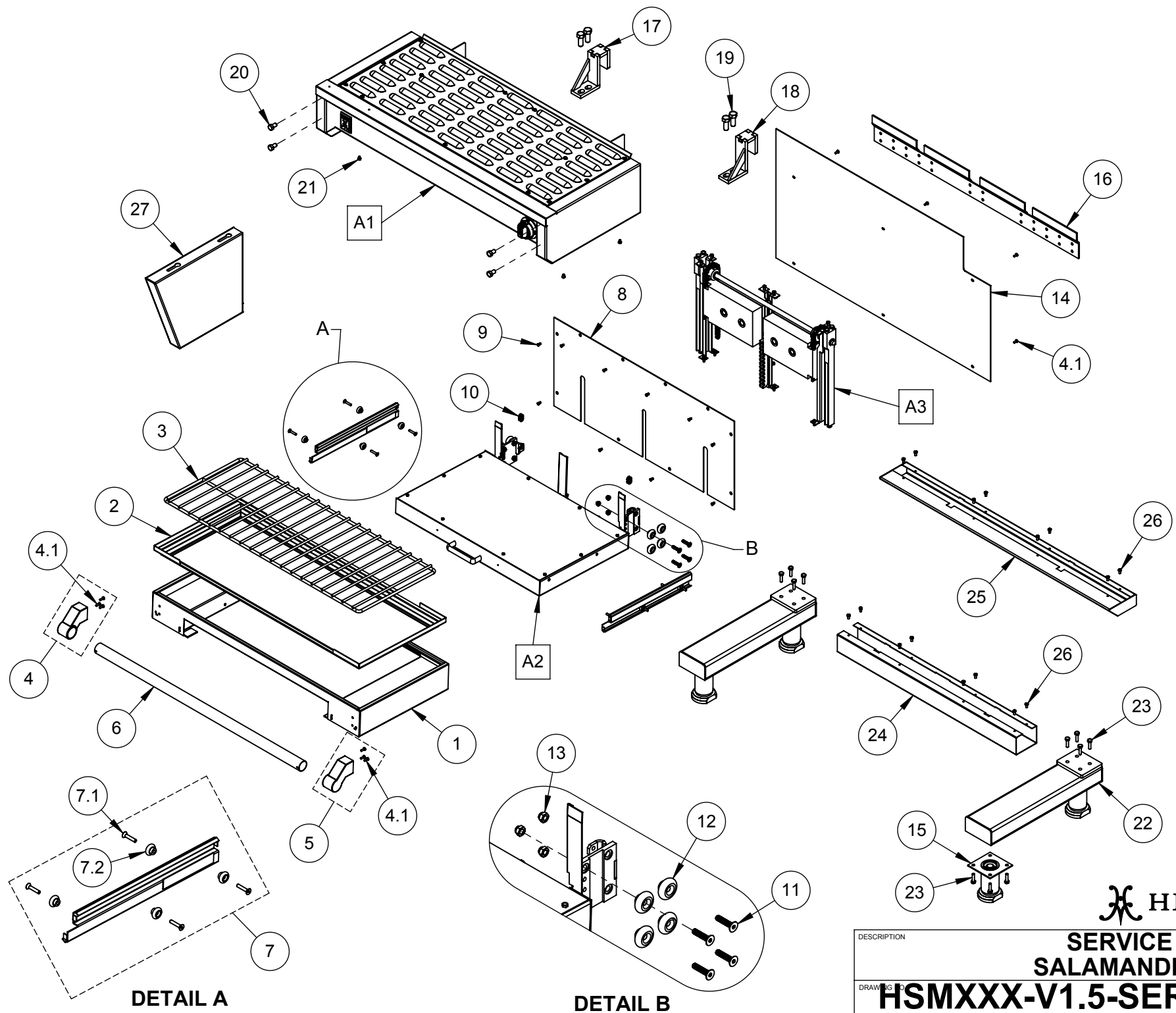
*Commercial Service Parts*

**SALAMANDER V1.5 (HSM)**

Hestan Commercial Corporation  
3375 E. La Palma Ave.  
Anaheim, CA 92806  
(888) 905-7463

RETAIN THIS FOR FUTURE REFERENCE

Revised: May 15, 2020  
Rev. B



**HESTAN**

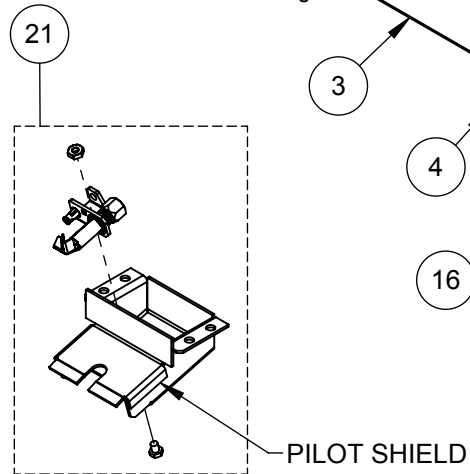
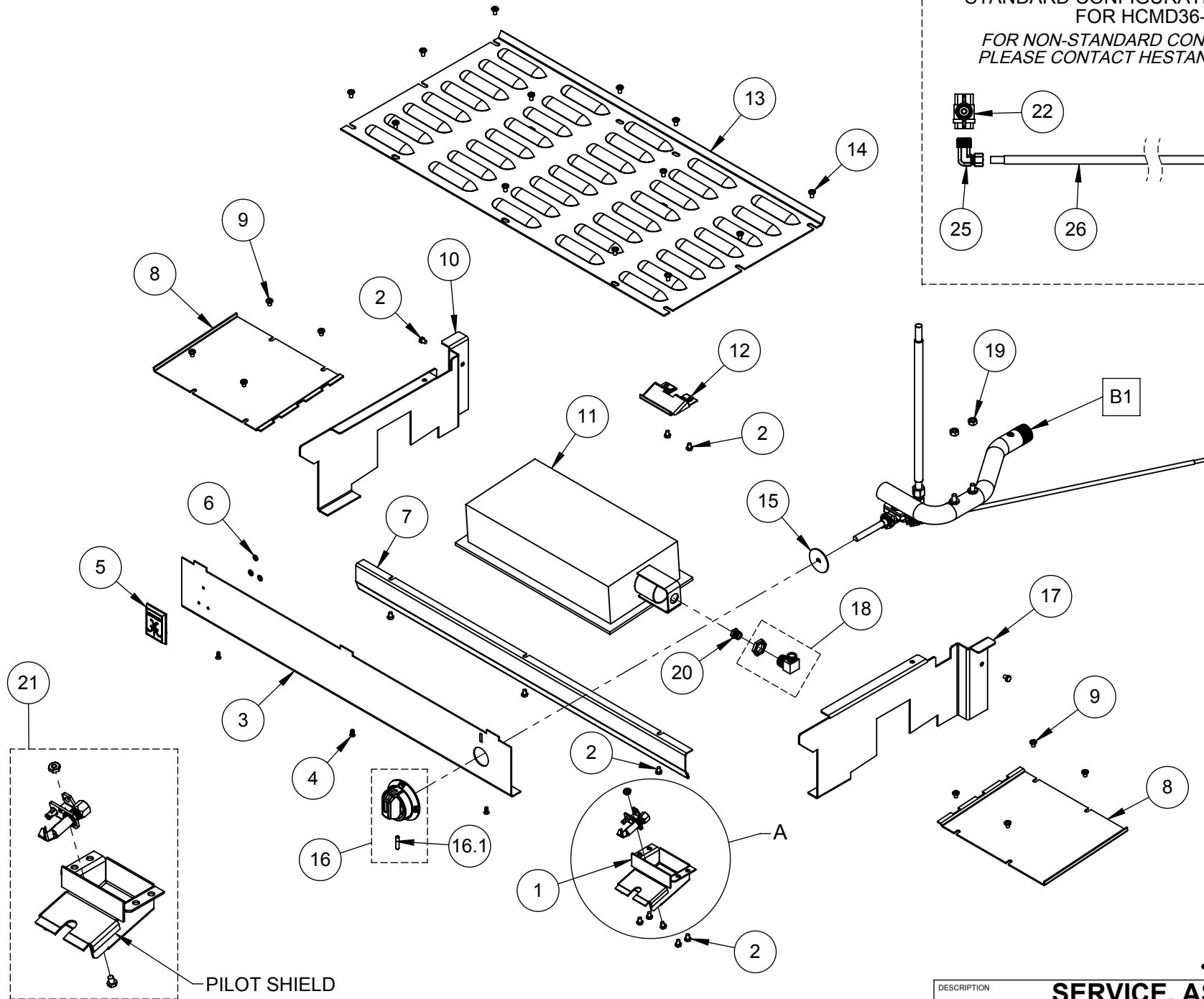
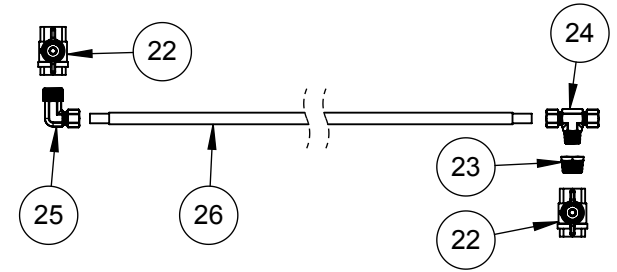
DESCRIPTION  
**SERVICE PARTS, SALAMANDER, V1.5**  
 DRAWING NO. **HSMXXX-V1.5-SERVICE**

# SALAMANDER v1.5 - SERVICE PARTS LIST

Item No.	Part No.	DESCRIPTION	HSMC24	HSMR24	HSMW24	HSMC36	HSMR36	HSMW36
			QTY	QTY	QTY	QTY	QTY	QTY
1	008207	WELDMENT, TRAY, SLIDE-OUT, SM, 24"	1	1	1	-	-	-
	003995	WELDMENT, TRAY, SLIDE-OUT, SM, 36"	-	-	-	1	1	1
2	005818	TRAY, DRIP, SM, 24"	1	1	1	-	-	-
	000660	TRAY, DRIP, SM, 36"	-	-	-	1	1	1
3	005819	RACK, SM, 24"	1	1	1	-	-	-
	003002	RACK, SM, 36"	-	-	-	1	1	1
4	013946	SERVICE, ENDCAP, HANDLE, LH, SM, KIT	1	1	1	1	1	1
4.1	013947	SERVICE, MS, 8-32 X .375, PH, PAN, SS, PKG 6	1	1	1	1	1	1
5	013945	SERVICE, ENDCAP, HANDLE, RH, SM, KIT	1	1	1	1	1	1
6	005820	HANDLE, TRAY, SLIDE-OUT, SM, 24"	1	1	1	-	-	-
	000631	HANDLE, TRAY, SLIDE-OUT, SM, 36"	-	-	-	1	1	1
7	013948	SERVICE, SLIDE, DRAWER, ROLLER, SM, KIT	1	1	1	1	1	1
7.1	013950	SERVICE, MS, 10-24 X .875, SCKT, FLT, SS, PKG 8	1	1	1	1	1	1
7.2	013949	SERVICE, WHEEL, ROLLER, SLIDE, SM, PKG 4	2	2	2	2	2	2
8	005826	PANEL, FRONT, SM, 24"	1	1	1	-	-	-
	000710	PANEL, FRONT, SM, 36"	-	-	-	1	1	1
9	013953	SERVICE, MS, 8-32 X .375, PH, FLT, UC, SS, PKG 12	1	1	1	1	1	1
10	001398	CONNECTING LINK, ANSI #35 CHAIN	2	2	2	2	2	2
11	013956	SERVICE, MS, 1/4-20 X 1.125, SH, FLT, ZN, PKG 8	1	1	1	1	1	1
12	013955	SERVICE, WHEEL, ROLLER, 1.095" OD, PKG 4	2	2	2	2	2	2
13	013957	SERVICE, NUT, LCK, EXPANDING, 1/4-20, SS, PKG 8	1	1	1	1	1	1
14	005792	PANEL, BACK, SM/CM, 24"	1	1	1	-	-	-
	001284	PANEL, BACK, SM/CM, 36"	-	-	-	1	1	1
15	000470	ADJUSTABLE LEG ASSEMBLY, 4"	4	-	-	4	-	-
16	008793	BRACKET, WALL, "Z", SM/CM, FOR 24" & 48"	1	1	1	-	-	-
	001255	BRACKET, WALL, "Z", SM, FOR 36"	-	-	-	1	1	1
17	003221	HANGER ASSY, LH, SM/CM	-	1	-	-	1	-
18	003220	HANGER ASSY, RH, SM/CM	-	1	-	-	1	-
19	014181	SERVICE, HB, 1/2-13 X 1.25, ZN, PKG 4	-	1	-	-	1	-
20	013960	SERVICE, HB, 3/8-16 X .625, ZN, PKG 4	1	1	1	1	1	1
21	010237	SERVICE, MS, 10-24 X 1/4, HEXHD, SS, PKG 6	1	1	1	1	1	1
22	011907	WELDMENT, LEG, HORZ, SM/CM, VER. 2	2	-	-	2	-	-

Item No.	Part No.	DESCRIPTION	HSMC24	HSMR24	HSMW24	HSMC36	HSMR36	HSMW36
			QTY	QTY	QTY	QTY	QTY	QTY
23	013958	SERVICE, HB, 1/4-20 X 1.0, SS, PKG 8	3	-	-	3	-	-
24	005767	BAR, LOWER, SM/CM, CNTRTOP, 24"	1	-	-	-	-	-
	003391	BAR, LOWER, SM/CM, CNTRTOP, 36"	-	-	-	1	-	-
25	003273	WELDMENT, BAR, LOWER, SM/CM, 24"	-	1	1	-	-	-
	001003	WELDMENT, BAR, LOWER, SM/CM, 36"	-	-	-	-	1	1
26	013959	SERVICE, MS, 10-24 X .375, HEXHD, ZN, PKG 8	1	1	1	1	1	1
27	014323	SERVICE, SIDE, REMOVABLE, SM/CM	X	X	X	X	X	X

STANDARD CONFIGURATION DEPICTED  
 FOR HCMD36-\_\_\_  
 FOR NON-STANDARD CONFIGURATIONS  
 PLEASE CONTACT HESTAN FOR DETAILS



**HESTAN**

**SERVICE, ASSY, TOP, CM,  
 SINGLE BURNER**

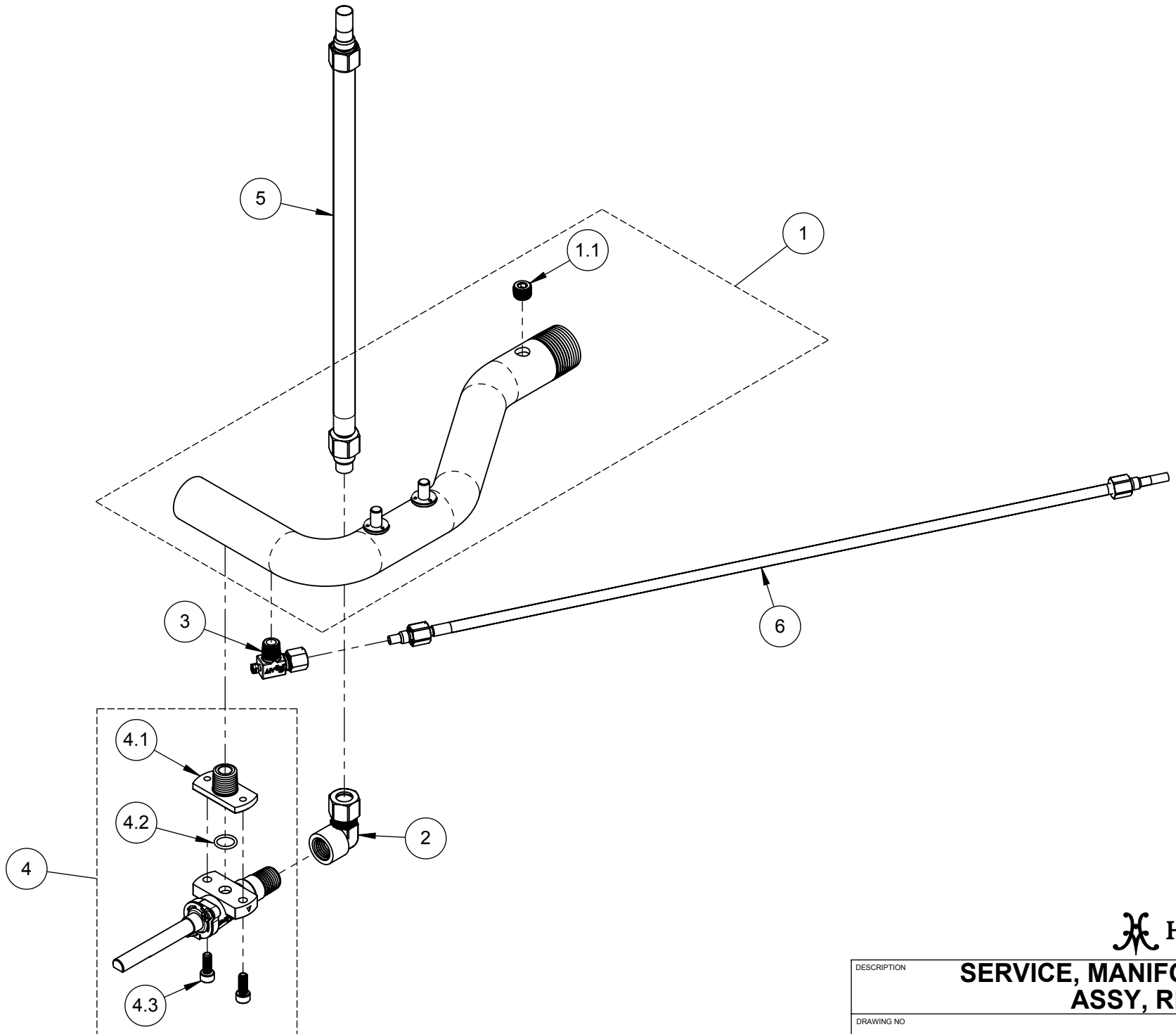
DESCRIPTION

DRAWING NO

**A1**

# A1 - TOP, SINGLE BURNER - SALAMANDER v1.5

Item No.	Part No.	DESCRIPTION	HSMC24	HSMR24	HSMW24	HSMC36	HSMR36	HSMW36
			QTY	QTY	QTY	QTY	QTY	QTY
1	013132	SHIELD, PILOT, SM/CM	1	1	1	1	1	1
2	010237	SERVICE, MS, 10-24 X 1/4, HEXHD, SS, PKG 6	3	3	3	3	3	3
3	005753	PANEL W/INDICATOR, CONTROL, SM/CM, 24"	1	1	1	-	-	-
	004244	PANEL W/INDICATOR, CONTROL, SM/CM, 36"	-	-	-	1	1	1
4	013953	SERVICE, MS, 8-32 X .375, PH, FLT, UC, SS, PKG 12	1	1	1	1	1	1
5	001842	LOGO, HESTAN, 2.125 x 1.56	1	1	1	1	1	1
6	014439	SERVICE, RETAINING RING, EXTERNAL, .125" DIAMETER SHAFT, PKG 4	1	1	1	1	1	1
7	002212	DEFLECTOR, HEAT, SM/CM, 24"	1	1	1	-	-	-
	001020	DEFLECTOR, HEAT, SM/CM, 36"	-	-	-	1	1	1
8	003915	PANEL, UNDER, SIDE, SM/CM, 24"	2	2	2	-	-	-
	001579	PANEL, UNDER, SIDE, SM/CM	-	-	-	2	2	2
9	013962	SERVICE, MS, 10-24 X .25, PH, PAN, ZN, PKG 8	1	1	1	1	1	1
10	008621	ASSY, BAFFLE, LH, TOP, SM/CM, 24"	1	1	1	1	1	1
	008546	ASSY, BAFFLE, LH, TOP, SM/CM	-	-	-	-	-	-
11	002185	BURNER, INFRARED, INCONEL, B15	1	1	1	-	-	-
	000677	BURNER, INFRARED, INCONEL, B30	-	-	-	1	1	1
12	006822	WELDMENT, COVER, PILOT, SM/CM	1	1	1	1	1	1
13	002213	PANEL, TOP, SM/CM, 24"	1	1	1	-	-	-
	001176	PANEL, TOP, SM/CM, 36"	-	-	-	1	1	1
14	013961	SERVICE, MS, 10-24 X .313, PH, PAN, SS, PKG 15	1	1	1	1	1	1
15	014154	SERVICE, SHIELD, SWITCH/MODULE, PKG 2	1	1	1	1	1	1
16	000150	KNOB ASSY., ON-OFF, 85%	1	1	1	1	1	1
16.1	014300	SERVICE, SETSCREW, #10-24 X .875, CUP PT., SS, PKG 6	1	1	1	1	1	1
17	008620	ASSY, BAFFLE, RH, TOP, SM/CM, 24"	1	1	1	-	-	-
	008544	ASSY, BAFFLE, RH, TOP, SM/CM	-	-	-	1	1	1
18	014179	SERVICE, ELBOW W/PNL NUT, ORIFICE, IR BURNER, KIT	1	1	1	1	1	1
19	014155	SERVICE, NUT, 1/4-20, ZN, PKG 4	1	1	1	1	1	1
20	002865-047	ORIFICE, SPUD **NG STANDARD**	X	X	X	-	-	-
	002865-041	ORIFICE, SPUD **NG STANDARD**	-	-	-	X	X	X
	002865-055	ORIFICE, SPUD **LP STANDARD**	X	X	X	-	-	-
	002865-052	ORIFICE, SPUD **LP STANDARD**	-	-	-	X	X	X
21	014185	SERVICE, PILOT ASSY., RIGHT ANGLE, 5C-2, LP, KIT	1	1	1	1	1	1
	014180	SERVICE, PILOT ASSY., RIGHT ANGLE, 5C-2, NG, KIT	1	1	1	1	1	1




**HESTAN**

**SERVICE, MANIFOLD, GAS  
 ASSY, RH, SM/CM**

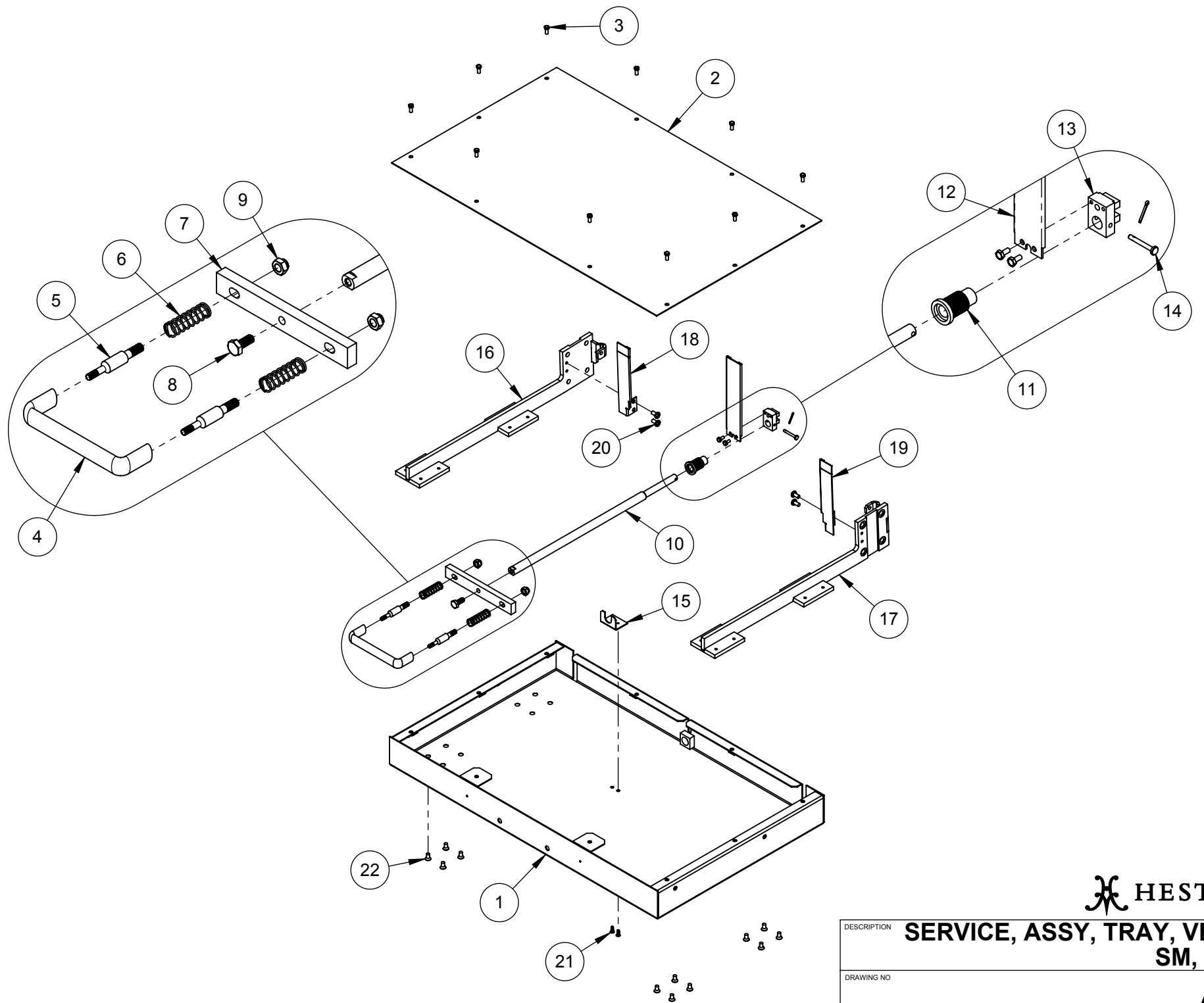
DESCRIPTION

DRAWING NO

**B1**

## B1 - GAS MANIFOLD ASSEMBLY, RIGHT - SALAMANDER v1.5

			HSM__
Item No.	Part No.	DESCRIPTION	QTY
1	004122	ASSY, MANIFOLD, RH, SM/CM	1
1.1	000360	PLUG, HEX SOCKET, 1/8" NPT	1
2	002321	ELBOW, ADAPTER, 1/4 NPT FEMALE X 3/8 ♂C	1
3	000113	VALVE, PILOT, 1/8NPT x 3/16 COMP., ♂LBOW	1
4	015662	KIT, VALVE, ON-OFF, FLANGE-MOUNT, A23-F	1
4.1	004643	FLANGED NIPPLE, 1/4"NPT	1
4.2	014103	SERVICE, O-RING, FLANGED NIPPLE, PKG 6	1
4.3	012750	SERVICE, SHCS, #10-24 X .500, SS, PKG 6	1
5	005682	HOSE, FLEX, 3/8 OD, 12", F-F, NUT/FERRULE	1
6	005688	HOSE, FLEX, 3/16 OD, 18", F-F, NUT/FERRULE	1



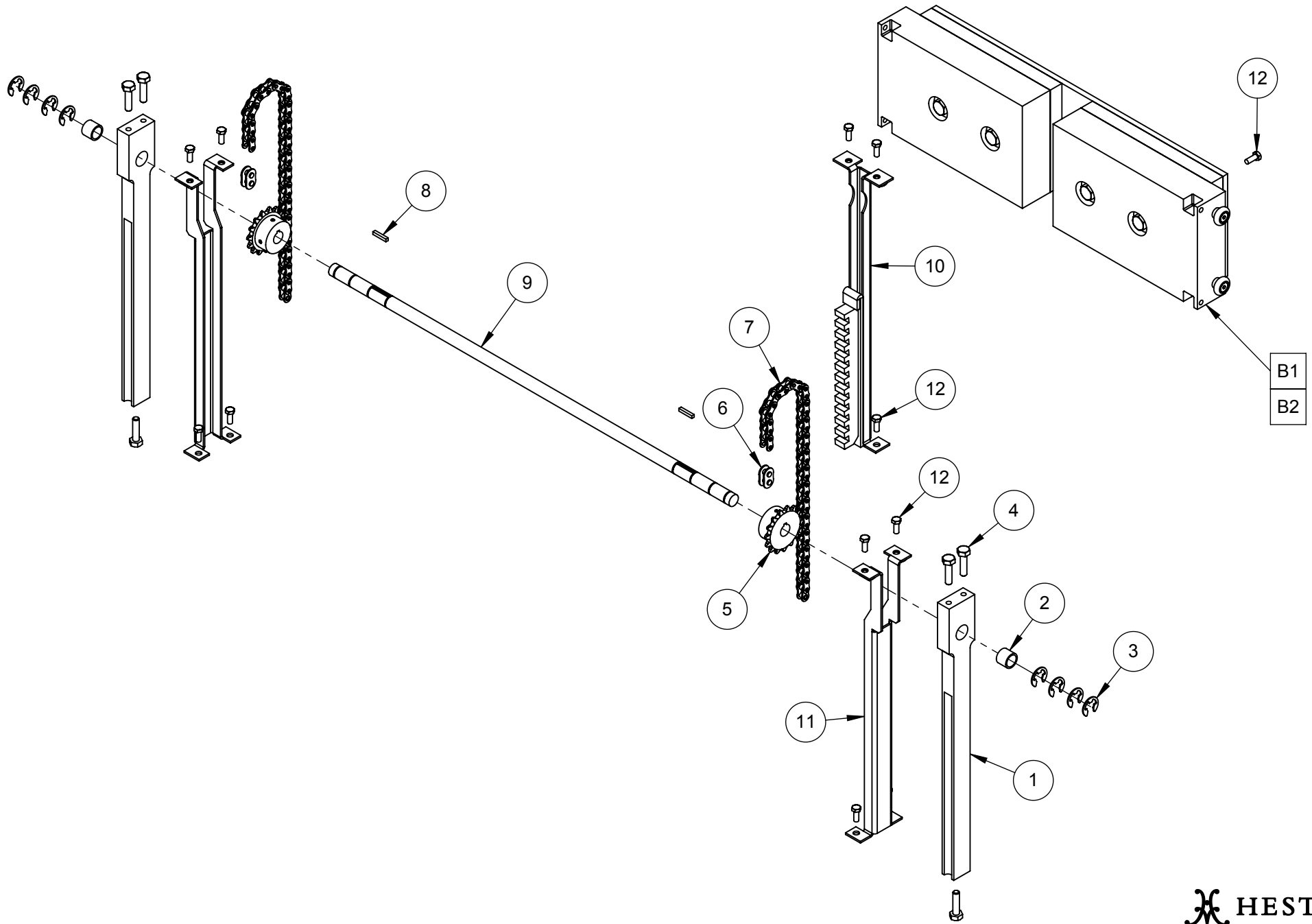
**HESTAN**

DESCRIPTION **SERVICE, ASSY, TRAY, VERT, SM, V1.5**

DRAWING NO **A2**

## A2 - TRAY ASSEMBLY - SALAMANDER v1.5

Item No.	Part No.	DESCRIPTION	HSMC24	HSMR24	HSMW24	HSMC36	HSMR36	HSMW36
			QTY	QTY	QTY	QTY	QTY	QTY
1	005814	WELDMENT, TRAY, FIXED, SM, 24"	1	1	1	-	-	-
	004015	WELDMENT, TRAY, FIXED, SM, 36"	-	-	-	1	1	1
2	005815	PLATE, TOP, TRAY, FIXED, SM, 24"	1	1	1	-	-	-
	000668	PLATE, TOP, TRAY, FIXED, SM, 36"	-	-	-	1	1	1
3	014189	SERVICE, MS, 8-32 X .375, HEXHD, SS, PKG 4	2	-	-	3	3	3
4	000840	HANDLE, OVAL	1	1	1	1	1	1
5	000762	ROD, EXTENSION, HANDLE, SM	2	2	2	2	2	2
6	014000	SERVICE, SPRING, COMPRESSION, 0.48 OD X 1.5 LG, PKG 2	1	1	1	1	1	1
7	000764	PLATE, CONNECTOR, HANDLE, SALAMANDER	1	1	1	1	1	1
8	014191	SERVICE, HB, 1/4-20 X .625, SS, PKG 4	1	1	1	1	1	1
9	013957	SERVICE, NUT, LCK, EXPANDING, 1/4-20, SS, PKG 8	1	1	1	1	1	1
10	011942	ROD, PULL, TRAY, FIXED, SM, VER. 2	1	1	1	1	1	1
11	000949	TENSIONER, SPRING, SM	1	1	1	1	1	1
12	014186	SERVICE, SHIELD, SLOT, CENTER, SM, KIT	1	1	1	1	1	1
13	000566	GEAR, LINEAR, SALAMANDER	1	1	1	1	1	1
14	014188	SERVICE, PIN, CLEVIS, 1/8 OD X 1 LG, W/ COTTER PIN, KIT	1	1	1	1	1	1
15	000767	BRACKET, ROD, PULL, SM	1	1	1	1	1	1
16	003998	WELDMENT, ARM, SUPPORT, LH, SM	1	1	1	1	1	1
17	004000	WELDMENT, ARM, SUPPORT, RH, SM	1	1	1	1	1	1
18	001752	SHIELD, SLOT, LEFT, SM	1	1	1	1	1	1
19	001753	SHIELD, SLOT, RIGHT, SM	1	1	1	1	1	1
20	013954	SERVICE, MS, 10-24 X 3/8, PH, PAN, SS, PKG 4	1	1	1	1	1	1
21	014261	SERVICE, MS, 6-32 X .375, PH, FLT, UC, SS, PKG 4	1	1	1	1	1	1
22	014260	SERVICE, MS, 10-24 X 3/8, PH, FLT, SS, PKG 8	2	2	2	2	2	2



 HESTAN

**SERVICE, REAR ASSY,  
SALAMANDER, V1.5**

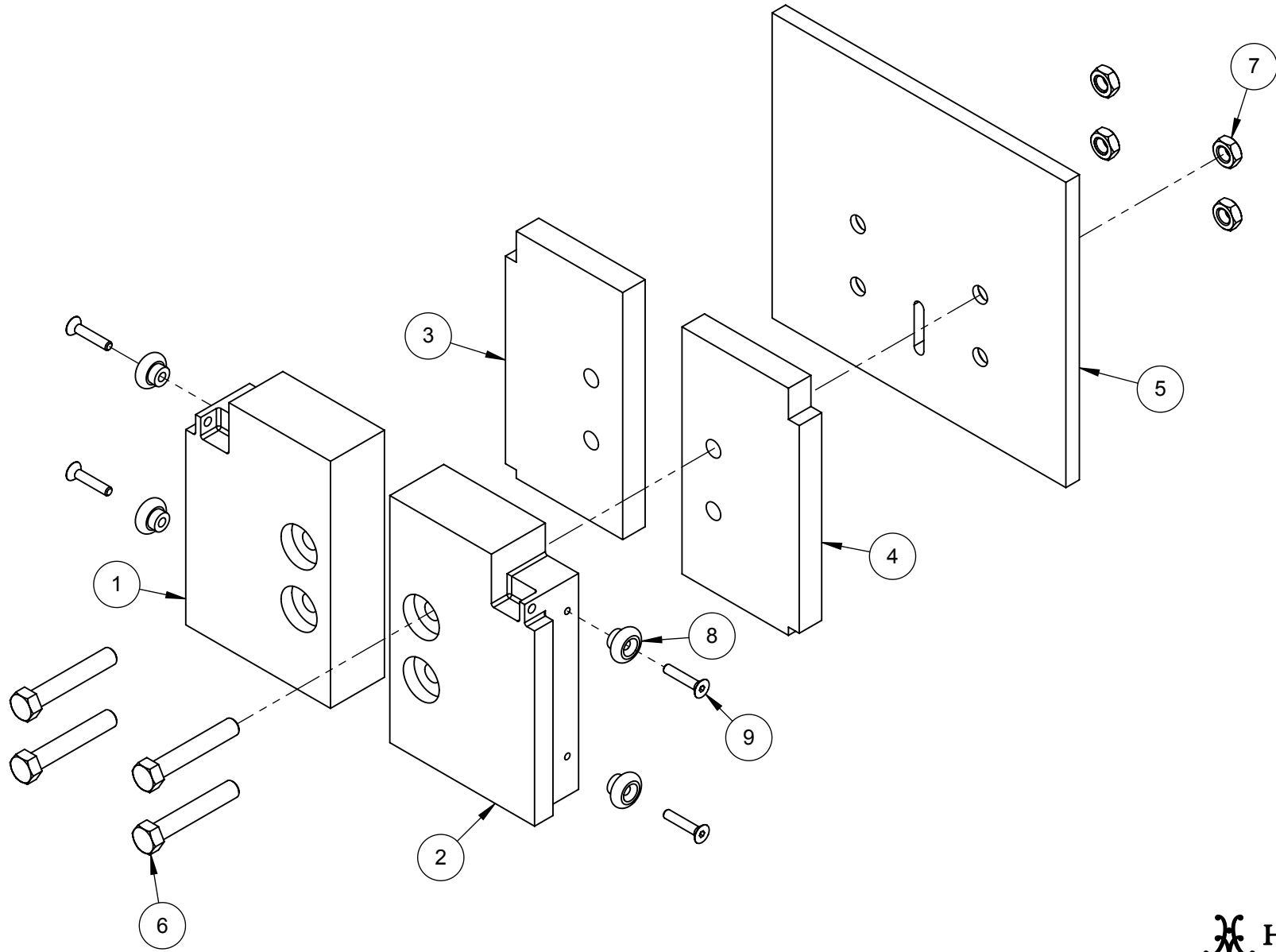
DESCRIPTION

DRAWING NO

**A3**

## A3 - REAR ASSEMBLY - SALAMANDER v1.5

Item No.	Part No.	DESCRIPTION	HSMC24	HSMR24	HSMW24	HSMC36	HSMR36	HSMW36
			QTY	QTY	QTY	QTY	QTY	QTY
1	000554	TRACK, VERTICAL, SALAMANDER	2	2	2	2	2	2
2	001726	SLEEVE, BEARING, .5 X .625 X .5LG, SAE 863, FOOD-GRADE	2	2	2	2	2	2
3	014294	SERVICE, RING, RETAINING, 1/2" SHAFT, PKG 8	1	1	1	1	1	1
4	014089	SERVICE, HB, 1/4-20 X 1.0, ZN, PKG 6	1	1	1	1	1	1
5	005321	SPROCKET, ROLLER CHAIN, ANSI #35	2	2	2	2	2	2
6	001398	CONNECTING LINK, ANSI #35 CHAIN	2	2	2	2	2	2
7	004089	CHAIN, ROLLER, ANSI #35	2	2	2	2	2	2
8	014293	SERVICE, KEY, ROD, BEARING, SM, PKG 2	1	1	1	1	1	1
9	002222	ROD, BEARING, SM, 24"	1	1	1	-	-	-
	000560	ROD, BEARING, SM, 36"	-	-	-	1	1	1
10	007512	WELDMENT, GEAR, RACK, SM	1	1	1	1	1	1
11	010140	WELDMENT, GUIDE, VERT, COUNTERWT, SM	2	2	2	2	2	2
12	013959	SERVICE, MS, 10-24 X .375, HEXHD, ZN, PKG 8	2	2	2	2	2	2

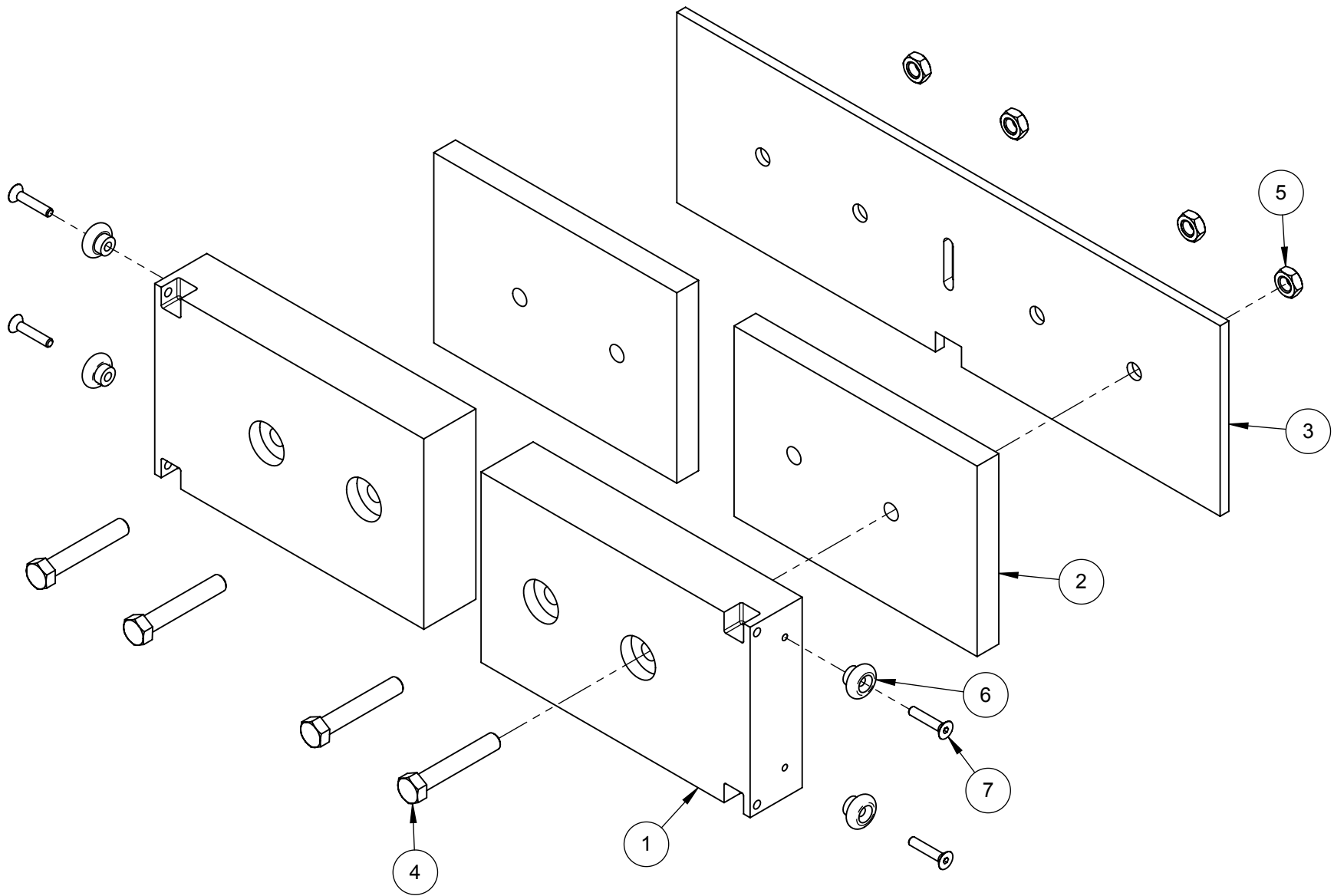


 HESTAN

DESCRIPTION	<b>SERVICE, ASSEMBLY, COUNTERWEIGHT, SM, V1.5, 24"</b>
DRAWING NO	<b>B1</b>

# B1 - COUNTERWEIGHT ASSEMBLY - 24" SALAMANDER v1.5

Item No.	Part No.	DESCRIPTION	HSMC24	HSMR24	HSMW24
			QTY	QTY	QTY
1	002237	COUNTERWEIGHT 1, SALAMANDER, 24"	1	1	1
2	012556	COUNTERWEIGHT 1, SALAMANDER, 24"	1	1	1
3	002238	COUNTERWEIGHT 2, SALAMANDER, 24"	1	1	1
4	012558	COUNTERWEIGHT 2, SALAMANDER, 24"	1	1	1
5	002236	COUNTERWEIGHT 3, SALAMANDER, 24"	1	1	1
6	002318	HB, 3/8-16 X 2.25, ZN	4	4	4
7	000902	NUT, JAM, 3/8-16, ZN	4	4	4
8	007676	WHEEL, ROLLER, .760" OD	4	4	4
9	006340	MS, 10-24 X .875, SCKT, FLT, SS	4	4	4



 HESTAN

DESCRIPTION	<b>SERVICE, ASSEMBLY, COUNTERWEIGHT, SM, V1.5, 36"</b>
DRAWING NO	<b>B2</b>

# B2 - COUNTERWEIGHT ASSEMBLY - 36" SALAMANDER v1.5

Item No.	Part No.	DESCRIPTION	HSMC36	HSMR36	HSMW36
			QTY	QTY	QTY
1	000670	COUNTERWEIGHT 1, SALAMANDER	2	2	2
2	000845	COUNTERWEIGHT 2, SALAMANDER	2	2	2
3	000846	COUNTERWEIGHT 3, SALAMANDER	1	1	1
4	002318	HB, 3/8-16 X 2.25, ZN	4	4	4
5	000902	NUT, JAM, 3/8-16, ZN	4	4	4
6	007676	WHEEL, ROLLER, .760" OD	4	4	4
7	006340	MS, 10-24 X .875, SCKT, FLT, SS	4	4	4