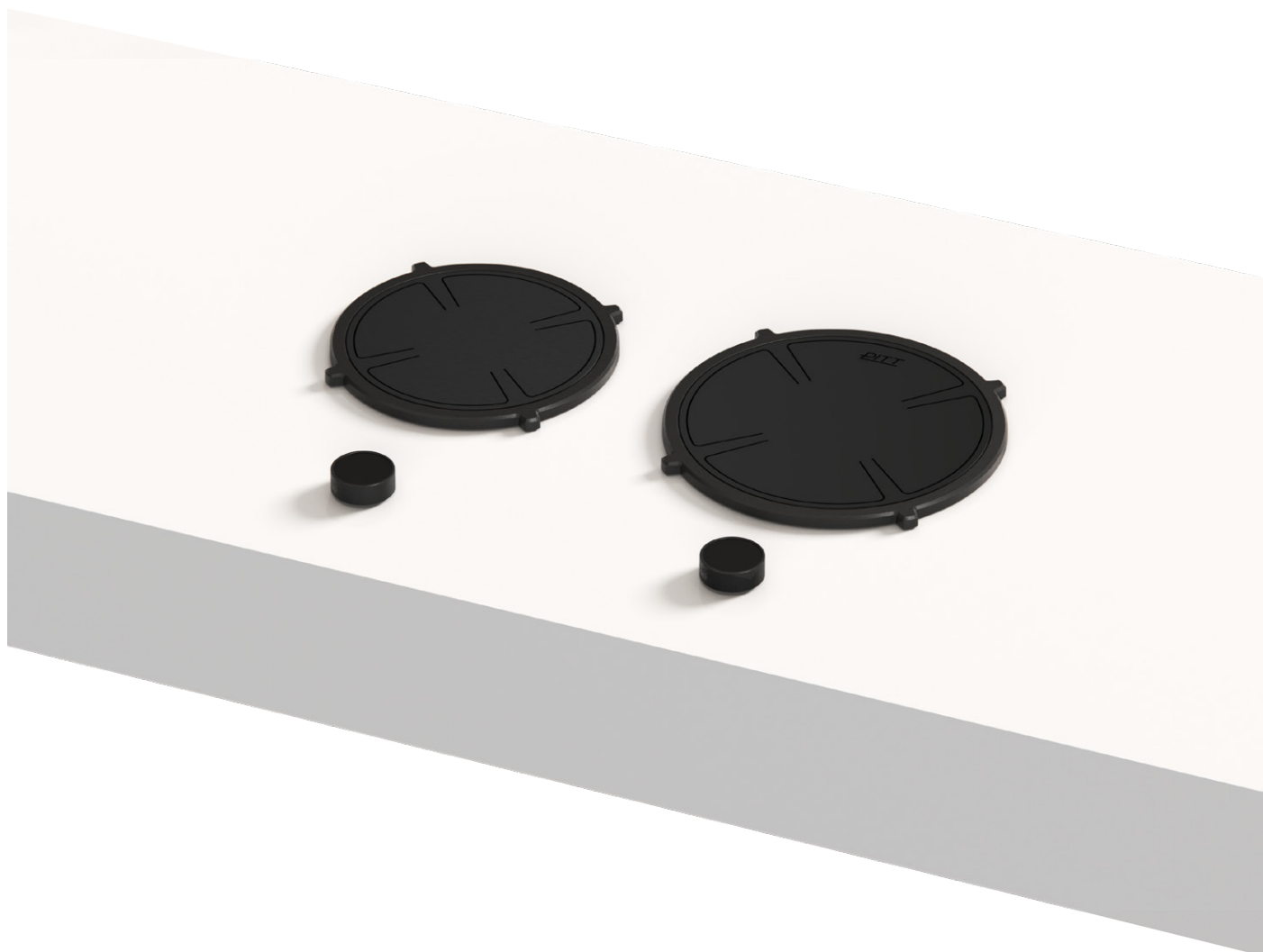


*Made in Holland*

**PITT**  
COOKING



**Induction**

*Bely-I  
Top Side*

TS INDUCTION 2026-3.1

## Exploded view

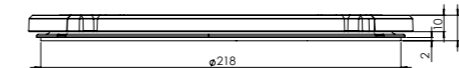
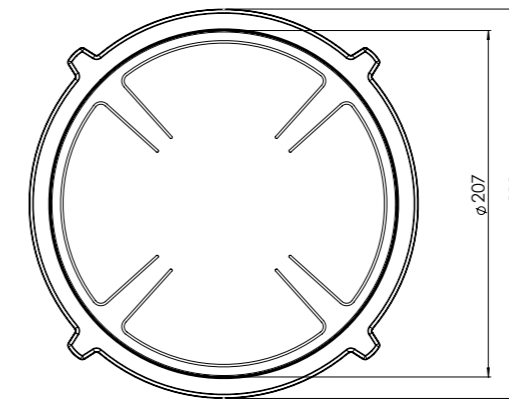


- 1. **Decorative ring small**  
COATED ALUMINUM
- 2. **Decorative ring large**  
COATED ALUMINUM
- 3. **Induction zone small**  
COATED ALUMINUM/ CERAMIC GLASS

- 4. **Induction zone large**  
COATED ALUMINUM/ CERAMIC GLASS
- 5. **Control knob**  
ALUMINUM/GLASS
- 6. **Cassette**  
ALUMINUM

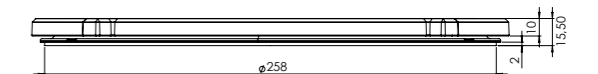
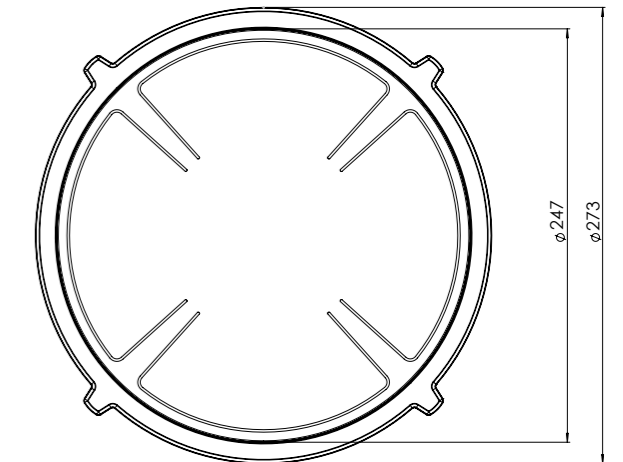
## Induction zones

Small zone



SMALL ZONE

Large zone



LARGE ZONE

## Control knob

3D-visualization of Top Side knob

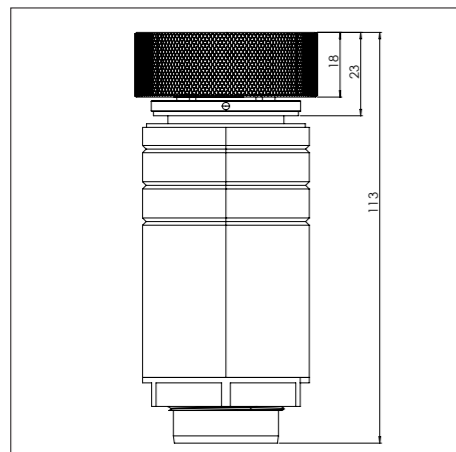


3D-visualization Front Side knob

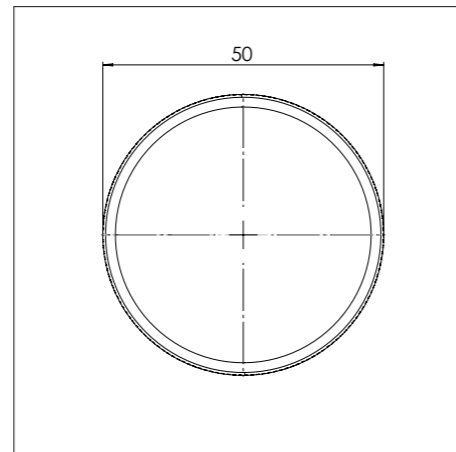


## Dimensions control knob

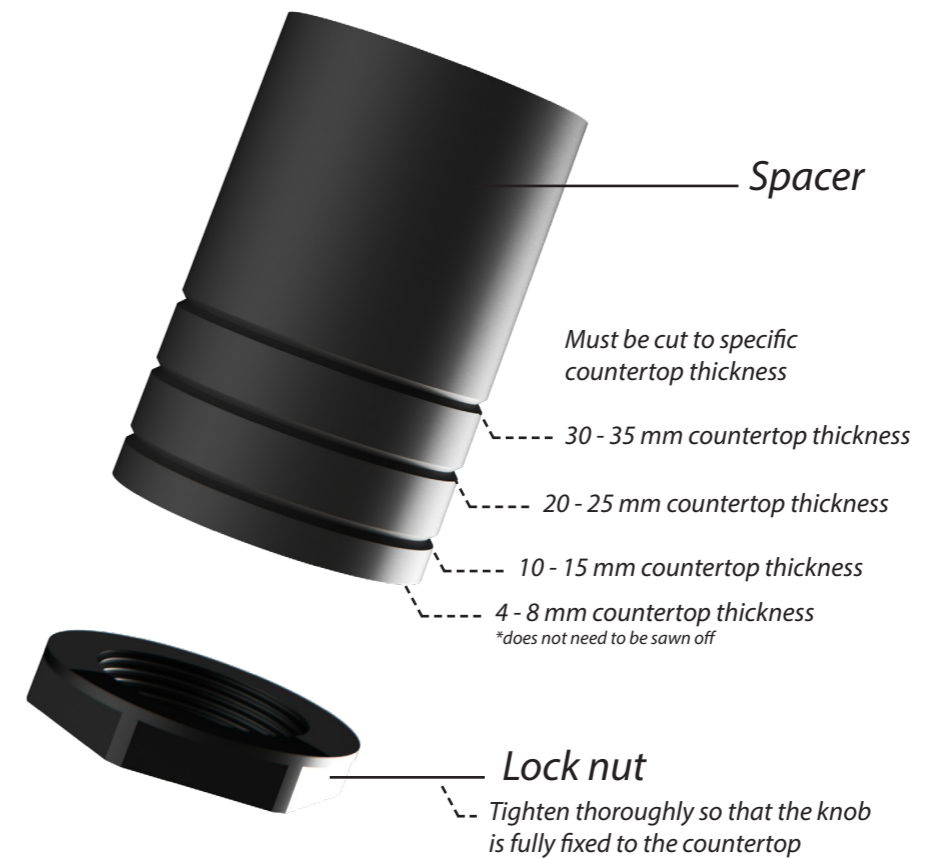
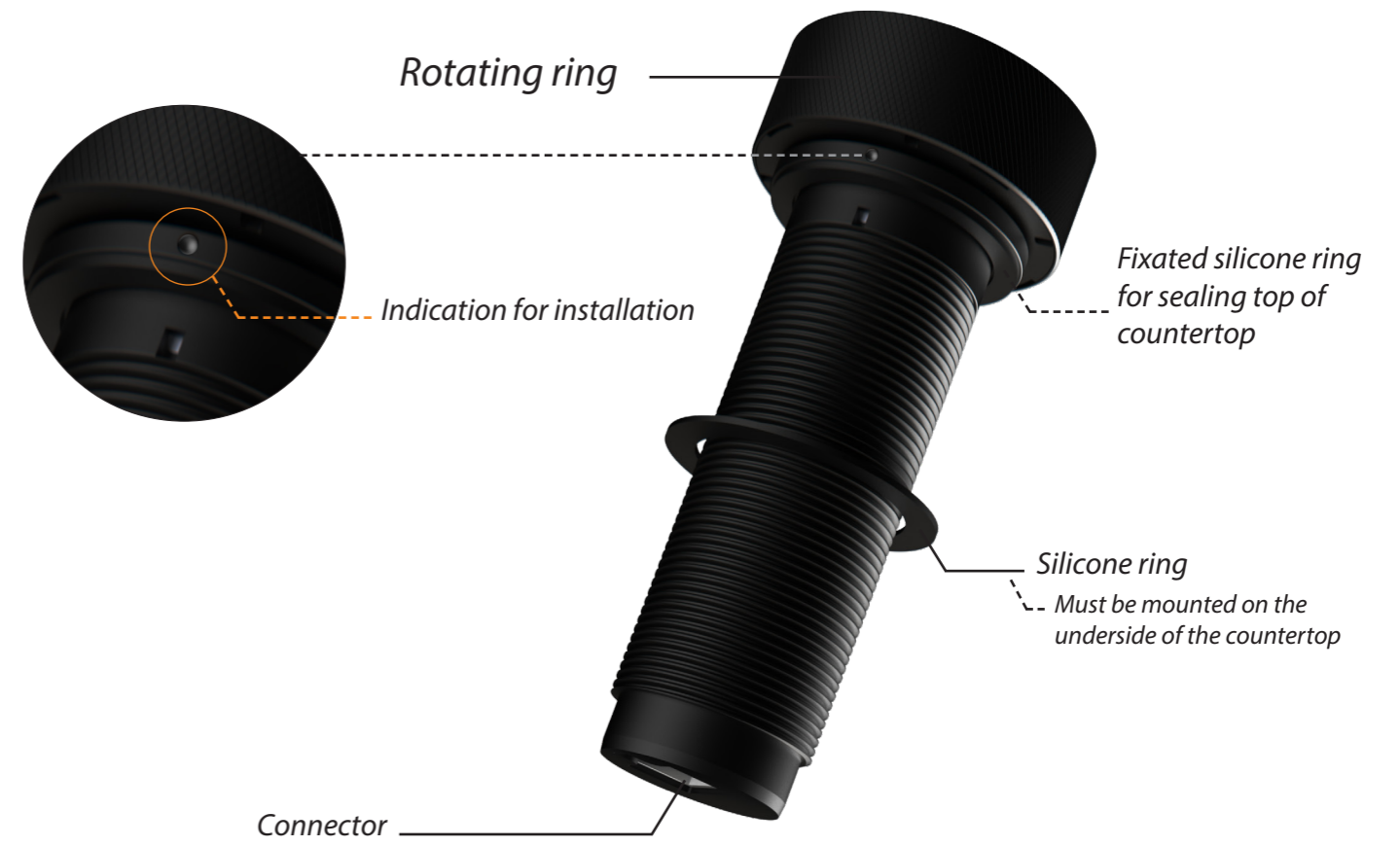
Front view

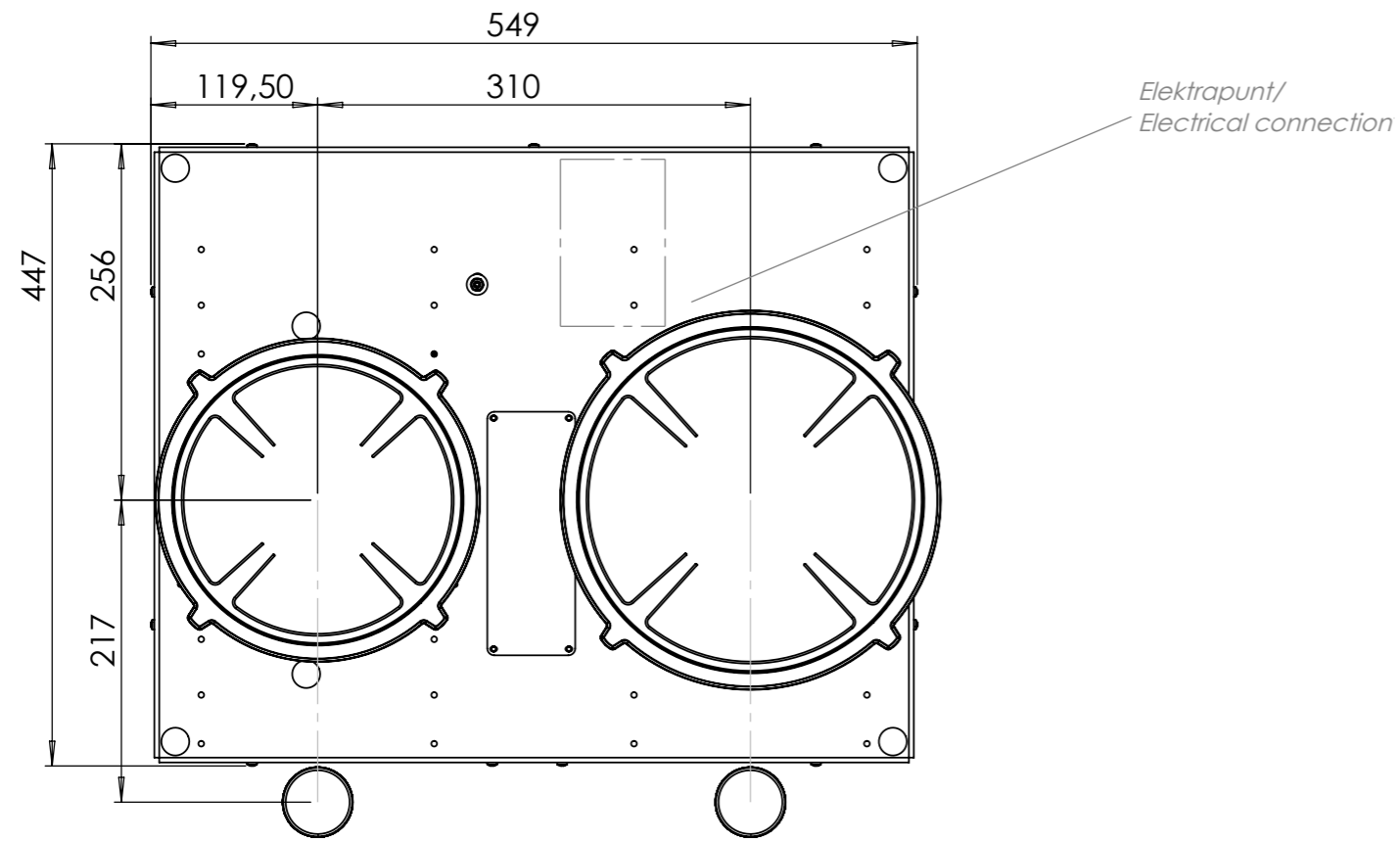


Top view

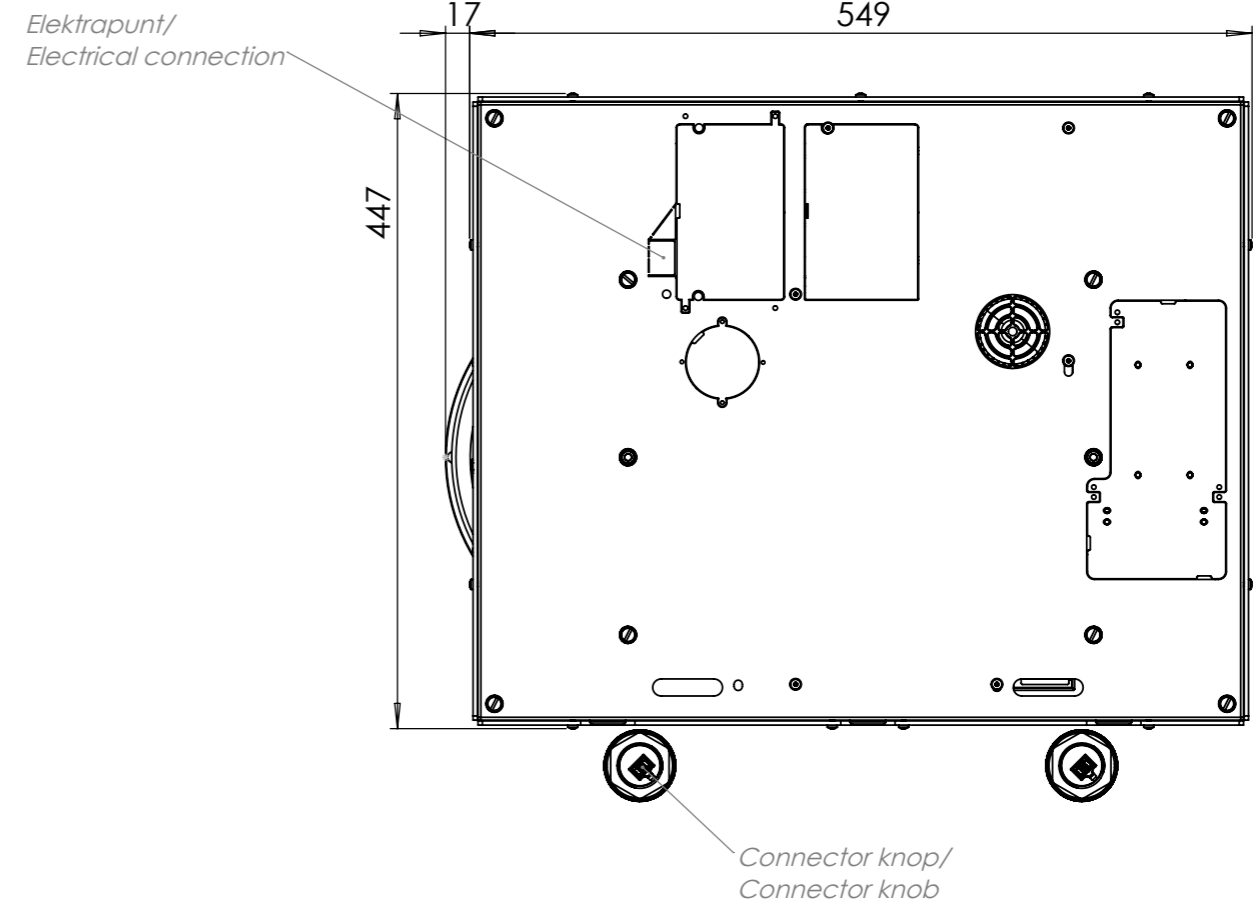


## Control knob

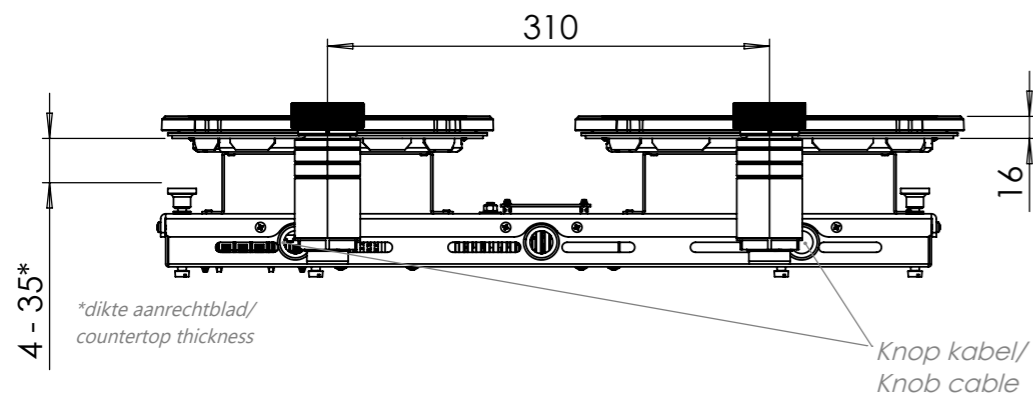




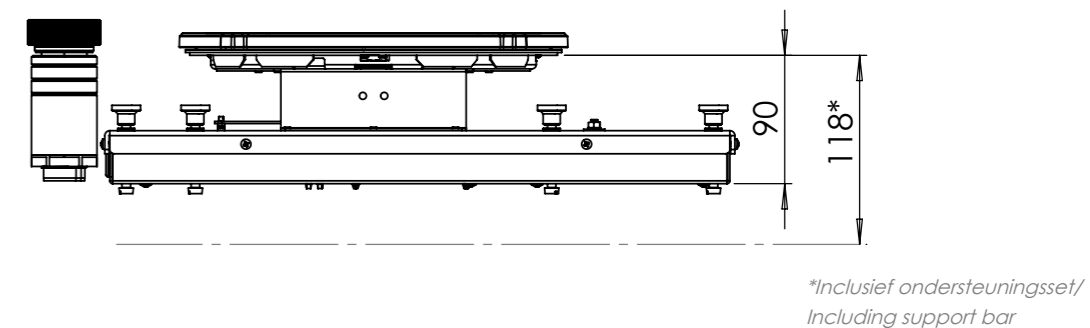
**Bovenaanzicht / Top view**



**Onderaanzicht / Bottom view**

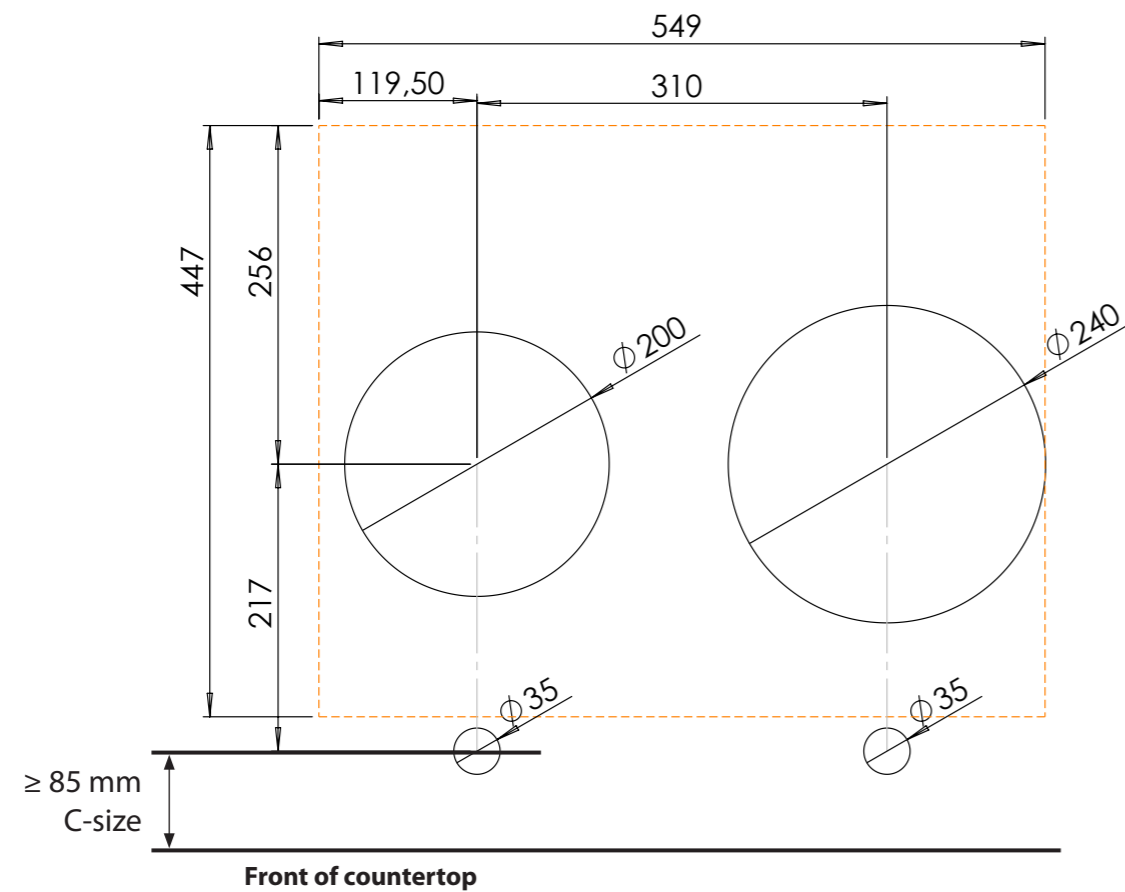


**Vooraanzicht / Front view**

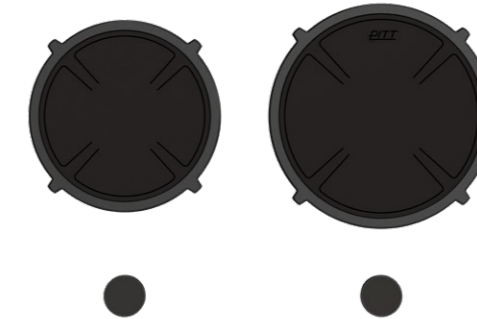


**Zijaanzicht / Side view**

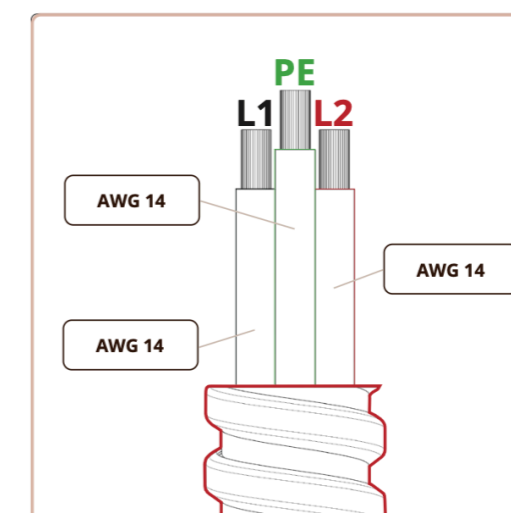
## Hole pattern



## Technical information



Model	Bely-I Top Side
Nominal voltage	208 VAC / 240 VAC
Maximum power	3,328W (@208VAC) / 3,840W (@240VAC)
Unit dimensions (LxWxH)	17.60 x 21.61 x 3.54 inches 447 x 549 x 90 mm
Total height (including support set)	4.65 inches 118 mm
Minimum cabinet width	23.62 inches 600 mm
Minimum countertop depth	23.62 inches 600 mm
Countertop thickness	0.16-1.38 inches 4-35 mm
Type of cooking system	Induction
Model edition	Black





Installation and handling instructions



Installation manual induction



User manual induction

*Made in Holland*

**PITT**  
COOKING

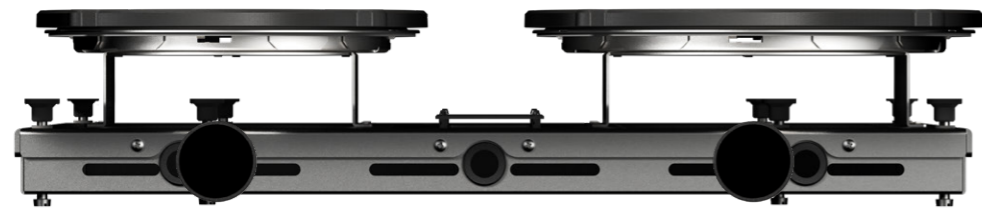


**Induction**

*Bely-I*

*Front Side*

## Exploded view

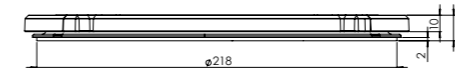
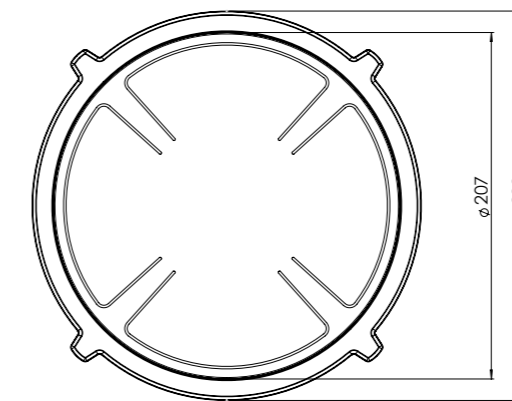


- 1. **Decorative ring small**  
COATED ALUMINUM
- 2. **Decorative ring large**  
COATED ALUMINUM
- 3. **Induction zone small**  
COATED ALUMINUM/ CERAMIC GLASS

- 4. **Induction zone large**  
COATED ALUMINUM/ CERAMIC GLASS
- 5. **Control knob**  
ALUMINUM/GLASS
- 6. **Cassette**  
ALUMINUM

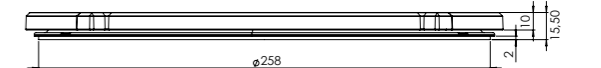
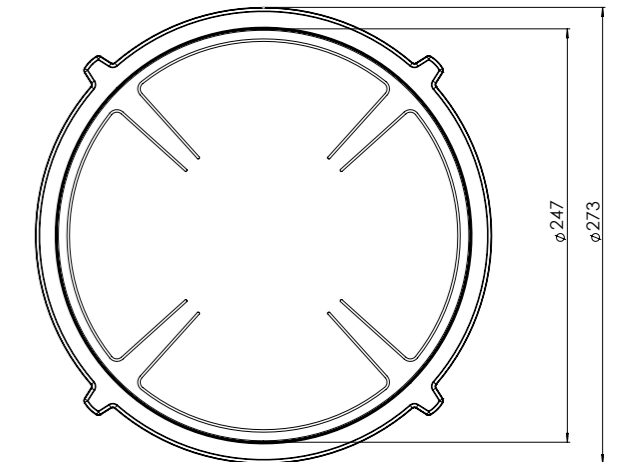
## Induction zones

Small zone



SMALL ZONE

Large zone



LARGE ZONE

## Control knob

3D-visualization of Top Side knob

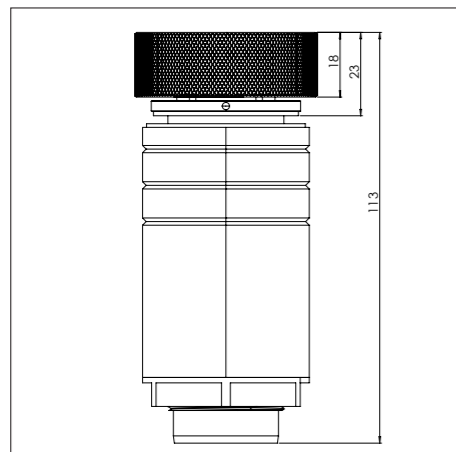


3D-visualization Front Side knob

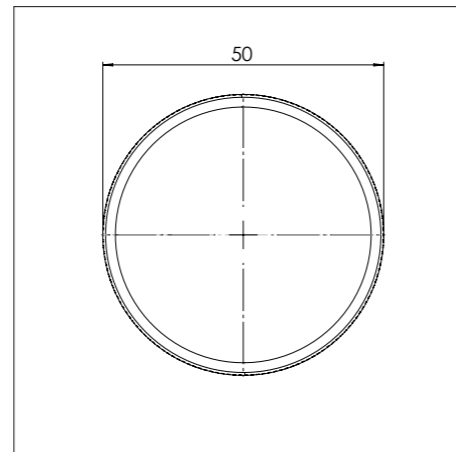


## Dimensions control knob

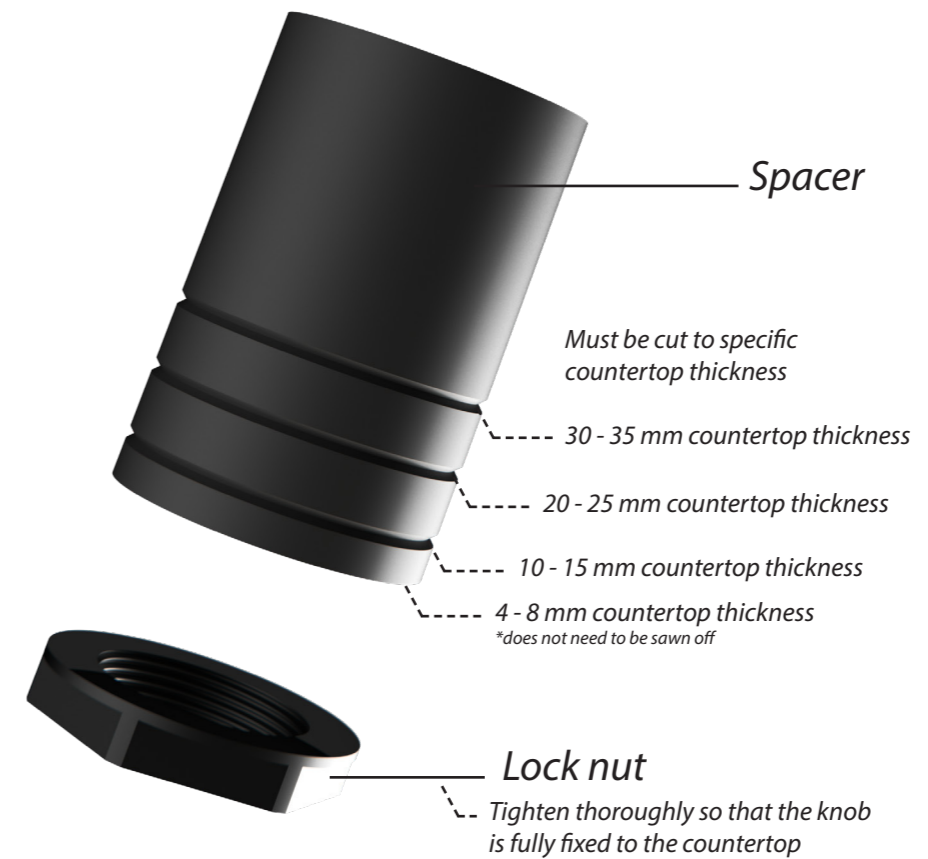
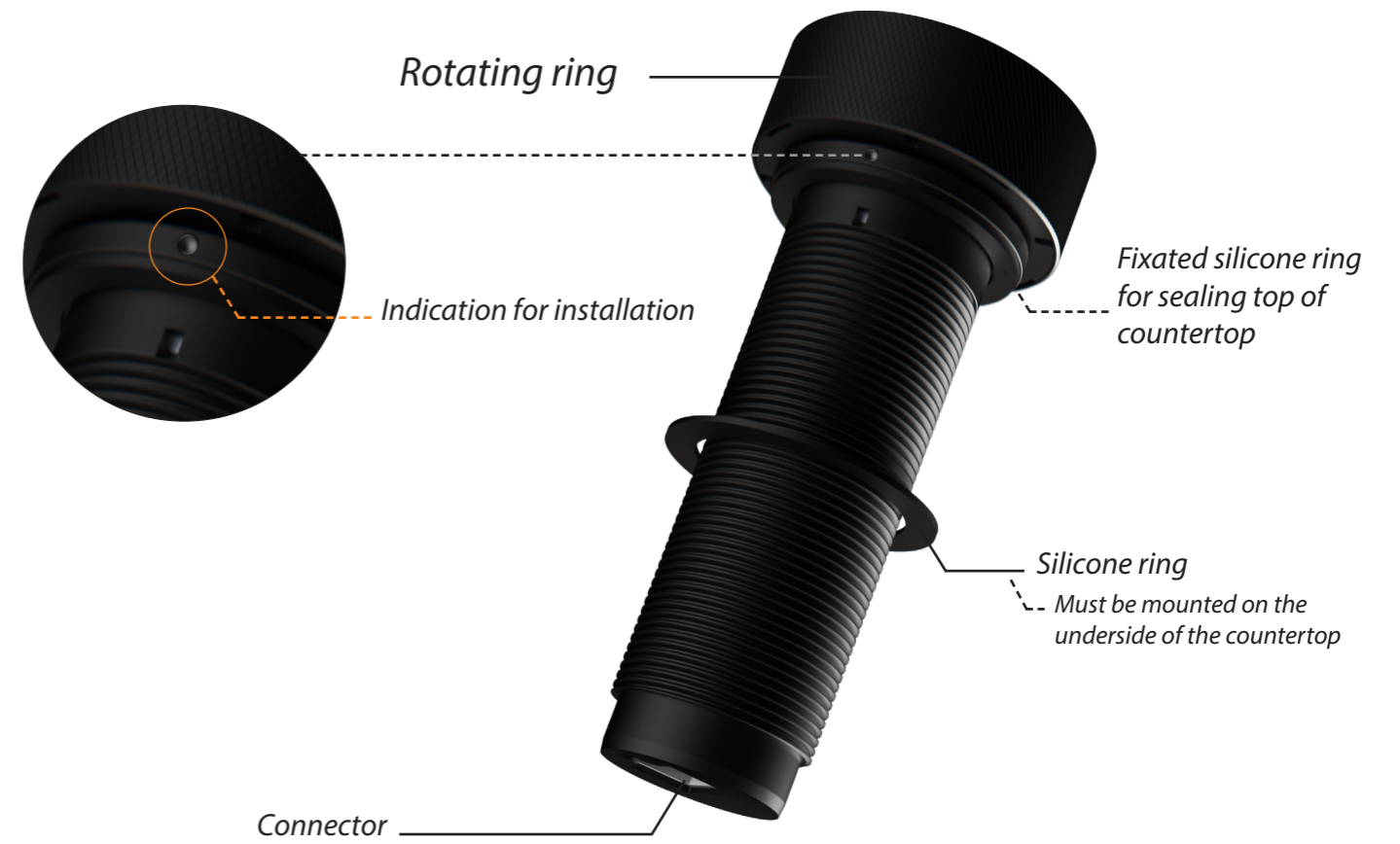
Front view



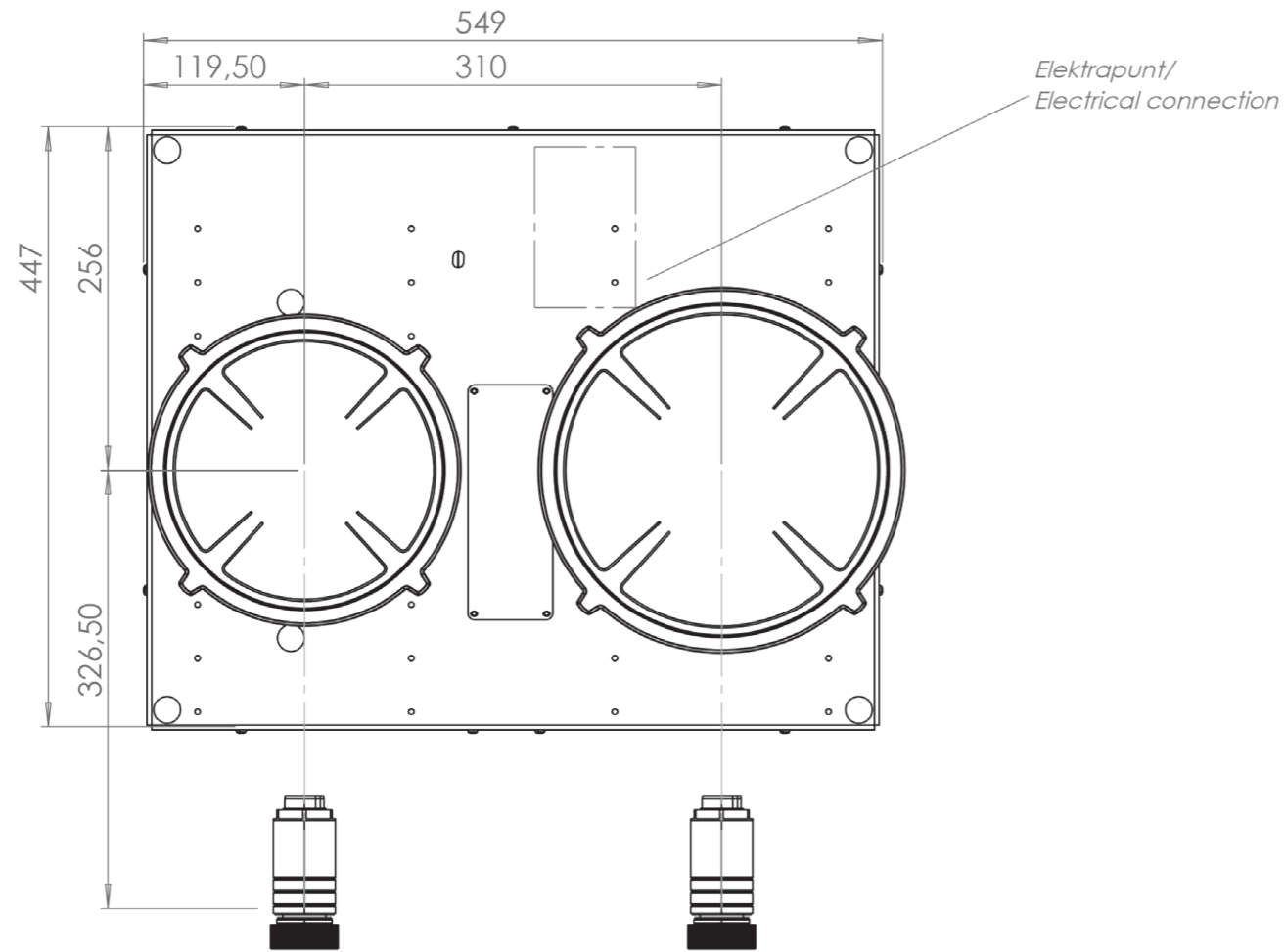
Top view



## Control knob

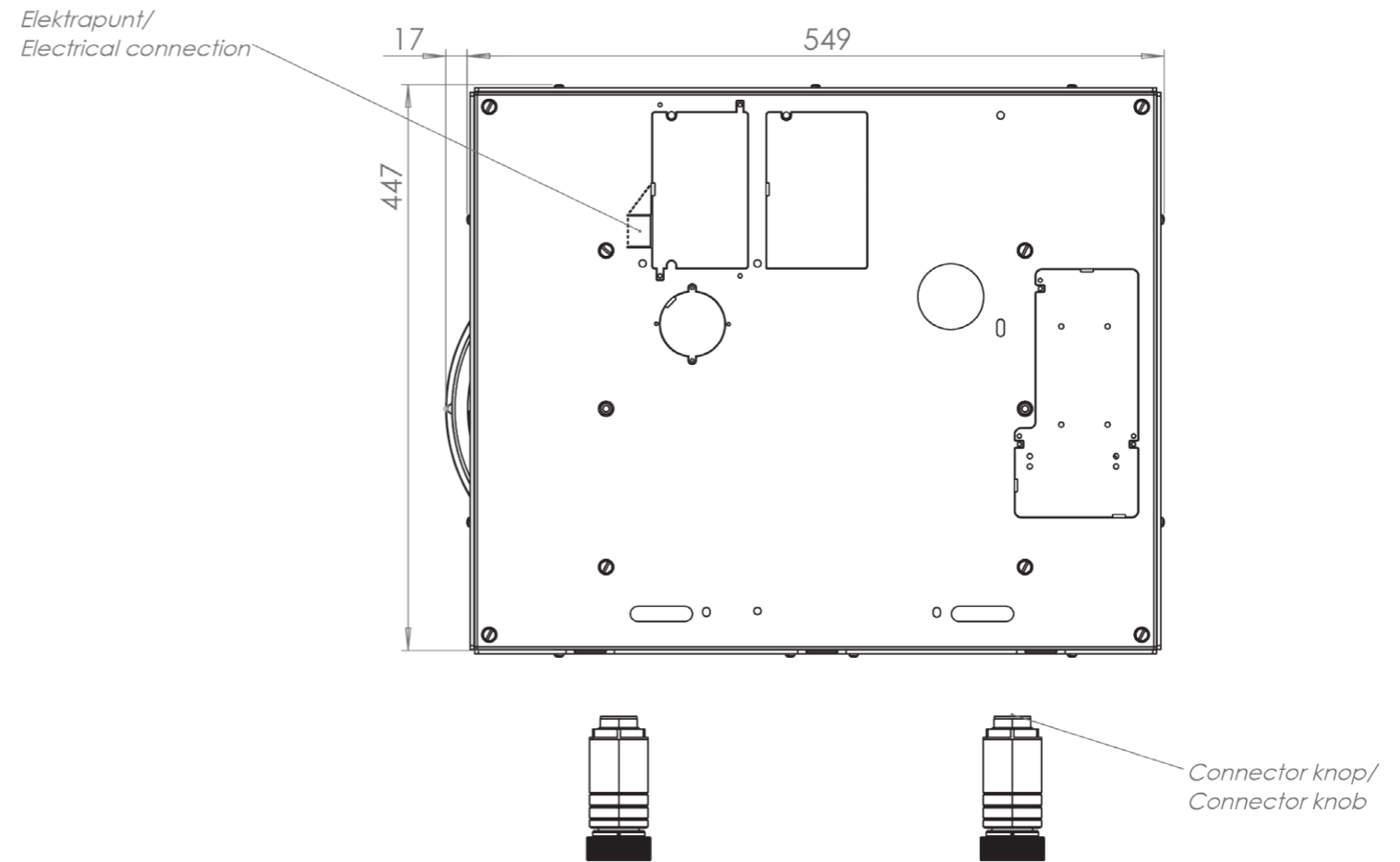


Technical drawing

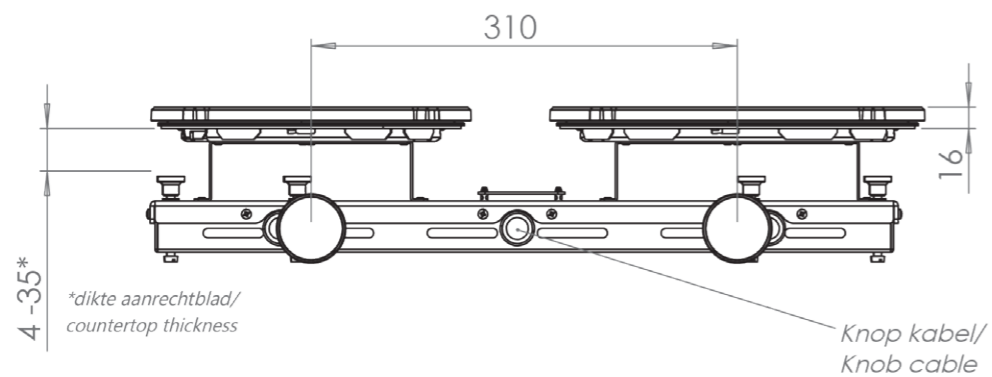


**Bovenaanzicht / Top view**

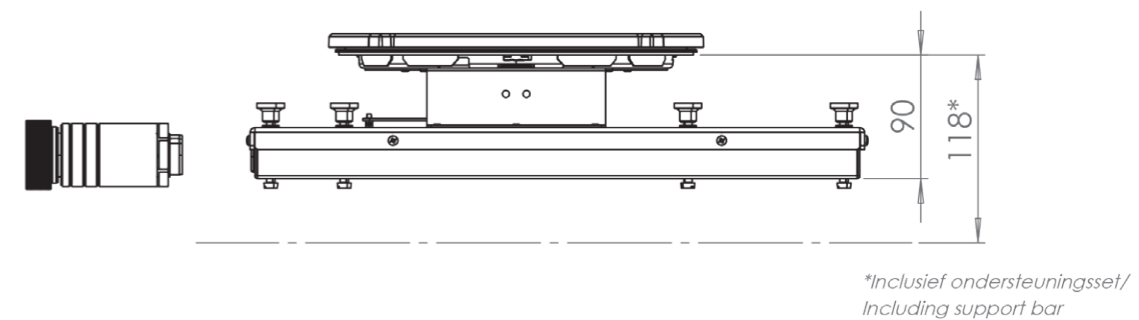
Technical drawing



**Onderaanzicht / Bottom view**



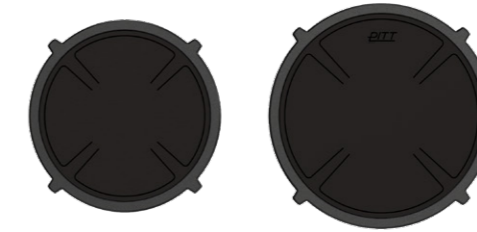
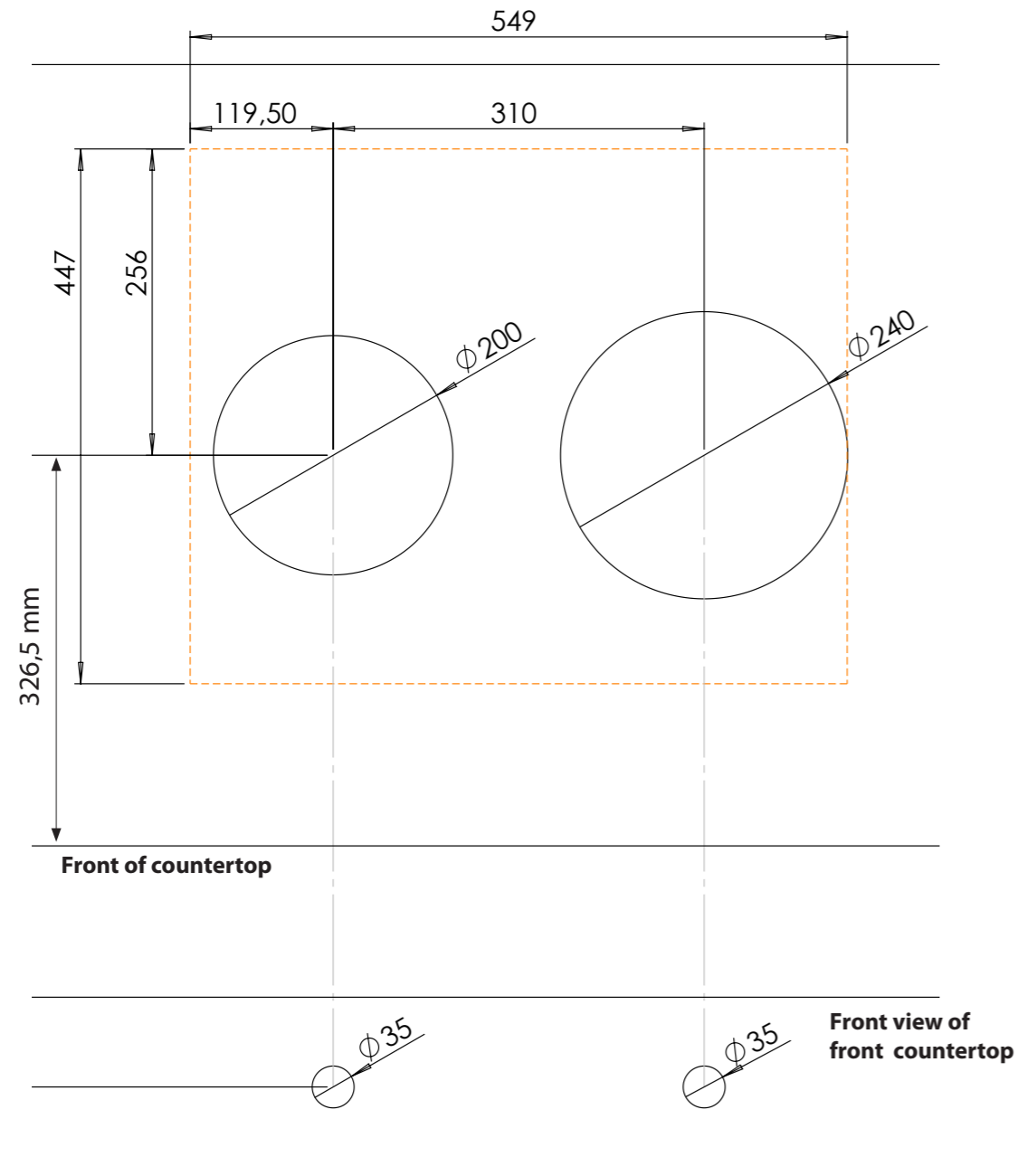
**Vooraanzicht / Front view**



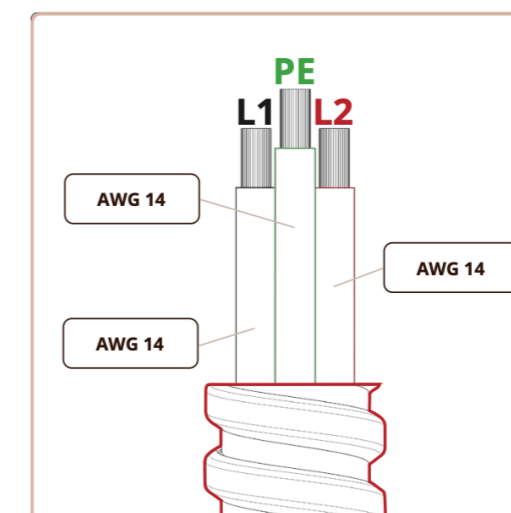
**Zijaanzicht / Side view**

## Hole pattern

## Technical information



Model	Bely-I Front Side
Nominal voltage	208 VAC / 240 VAC
Maximum power	3,328W (@208VAC) / 3,840W (@240VAC)
Unit dimensions (LxWxH)	17.60 × 21.61 × 3.54 inches 447 x 549 x 90 mm
Total height (including support set)	4.65 inches 118 mm
Minimum cabinet width	23.62 inches 600 mm
Minimum countertop depth	25.59 inches 650 mm
Countertop thickness	0.16-1.38 inches 4-35 mm
Type of cooking system	Induction
Model edition	Black





Installation and handling instructions



Installation manual induction



User manual induction