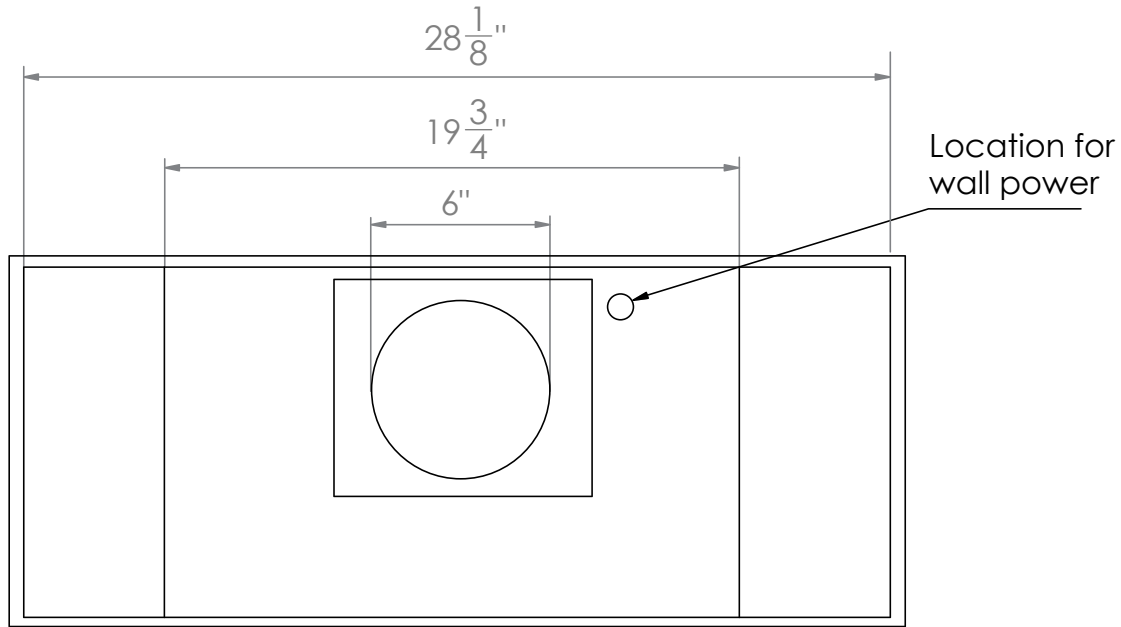
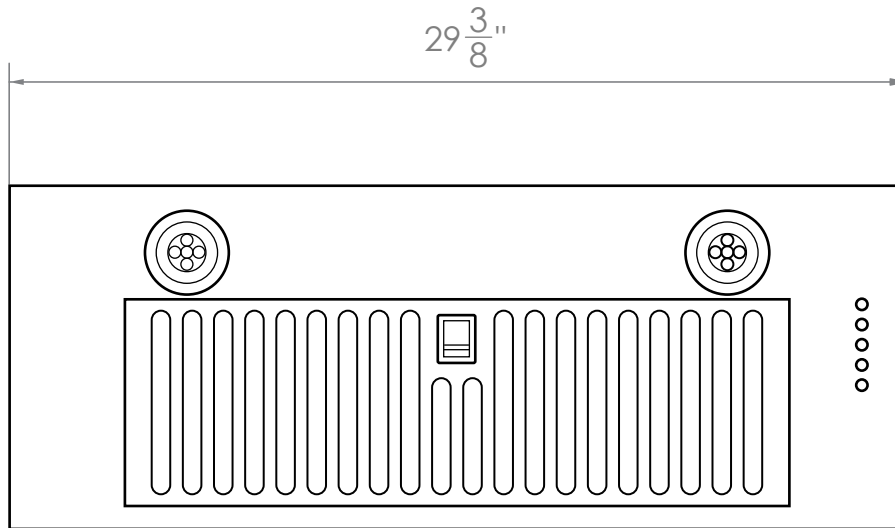


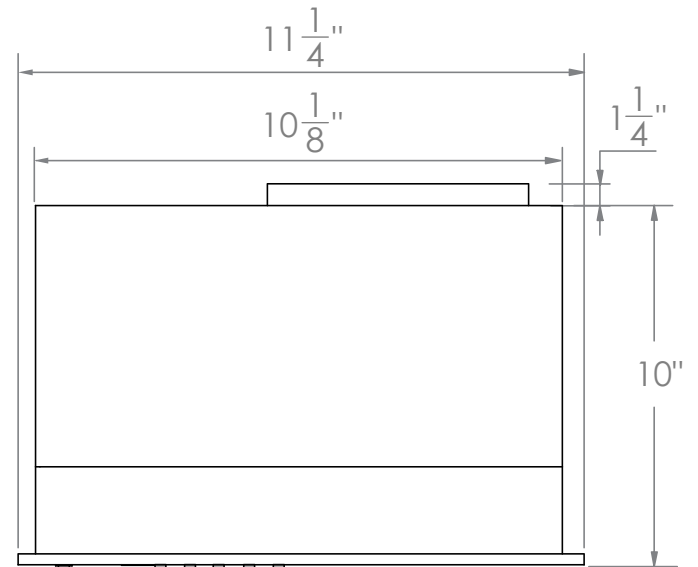
IN-R100SS-30



TOP



FRONT



SIDE

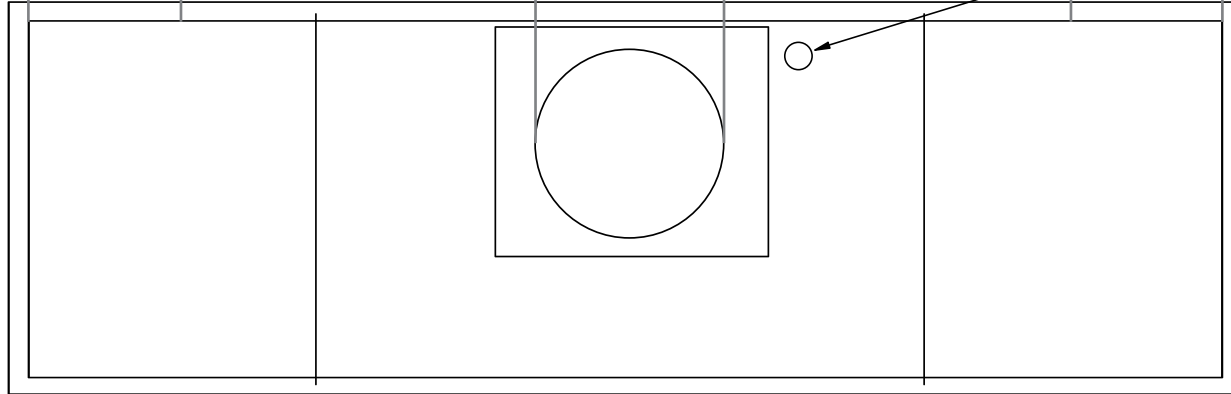
IN-R100SS-36

34"

$25 \frac{3}{8}$ "

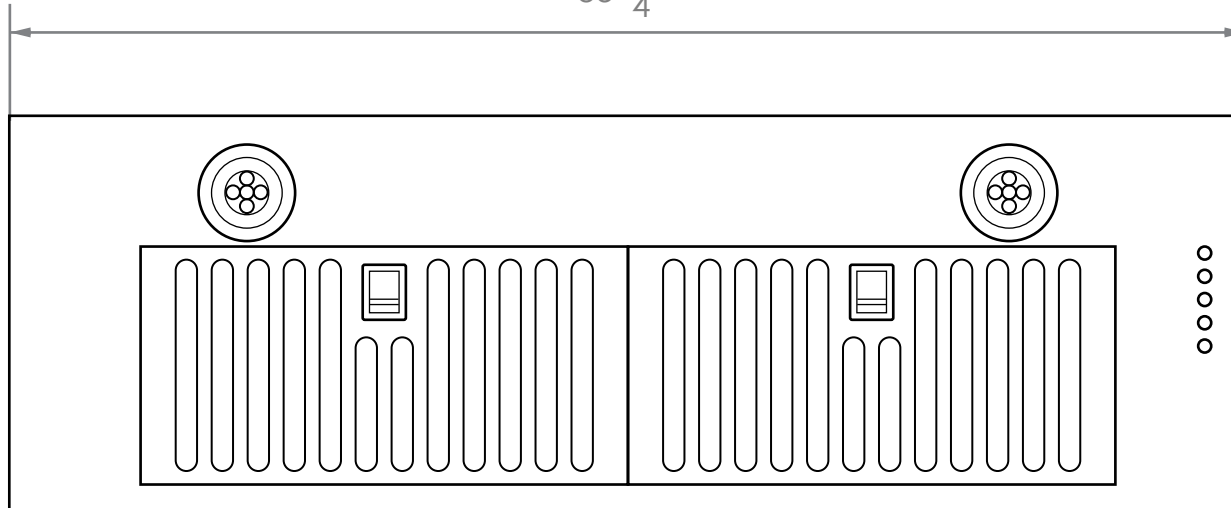
6"

Location for
wall power



TOP

$35 \frac{1}{4}$ "



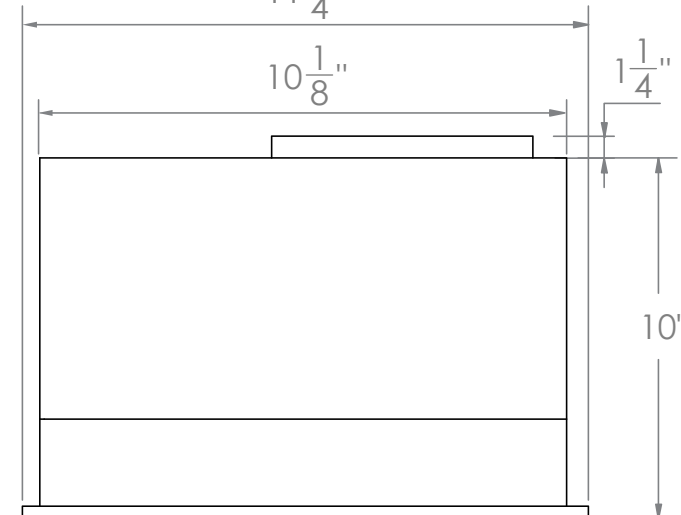
FRONT

$11 \frac{1}{4}$ "

$10 \frac{1}{8}$ "

$1 \frac{1}{4}$ "

10"



SIDE