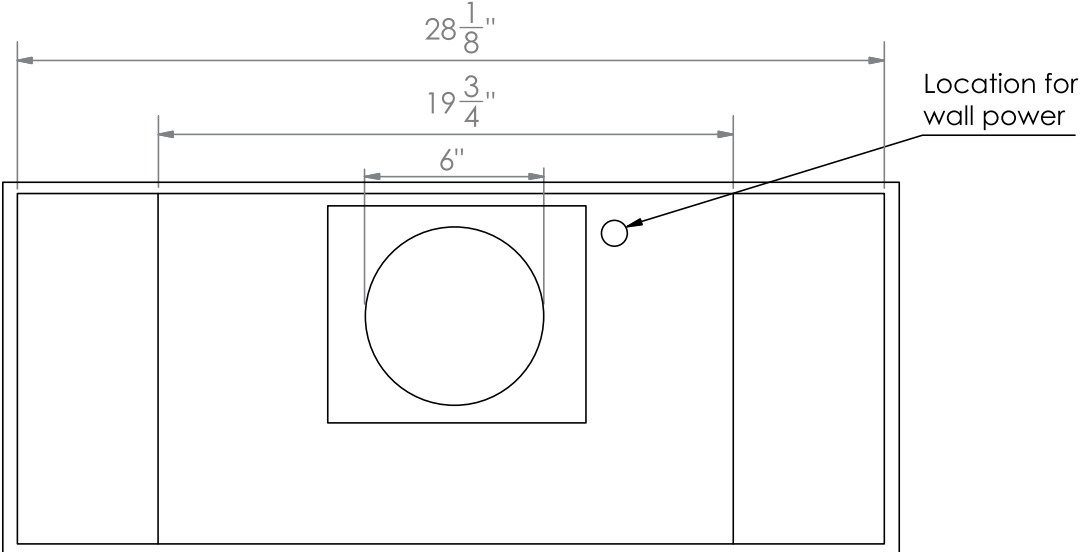
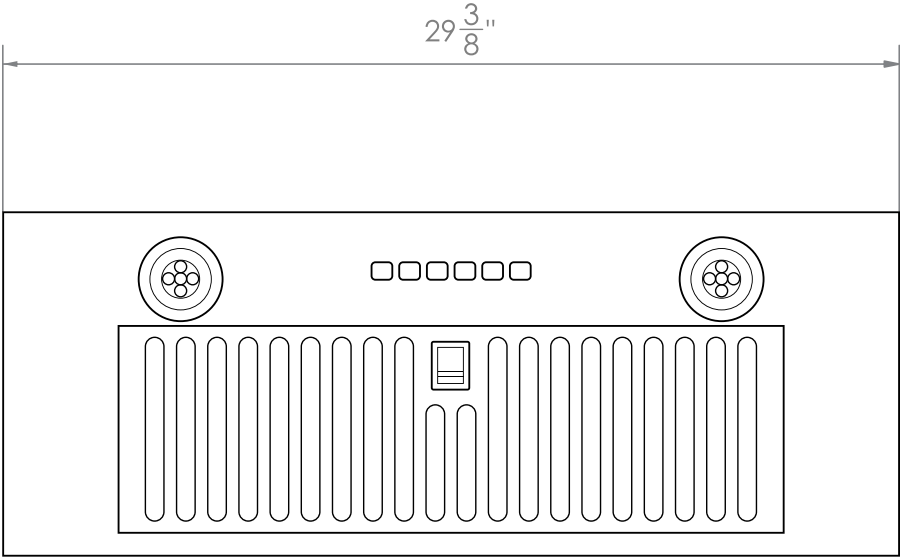
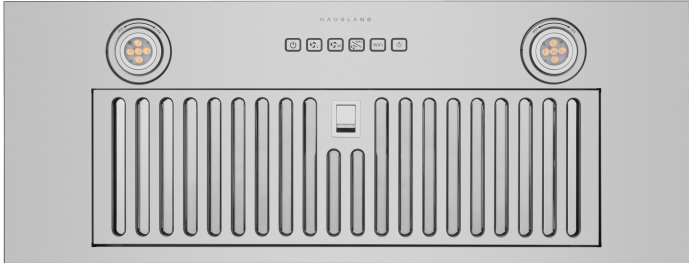


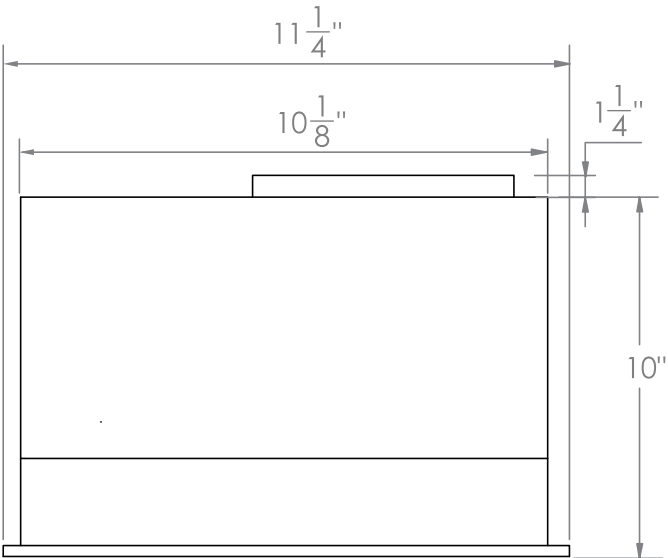
IN-R110SS-30



TOP

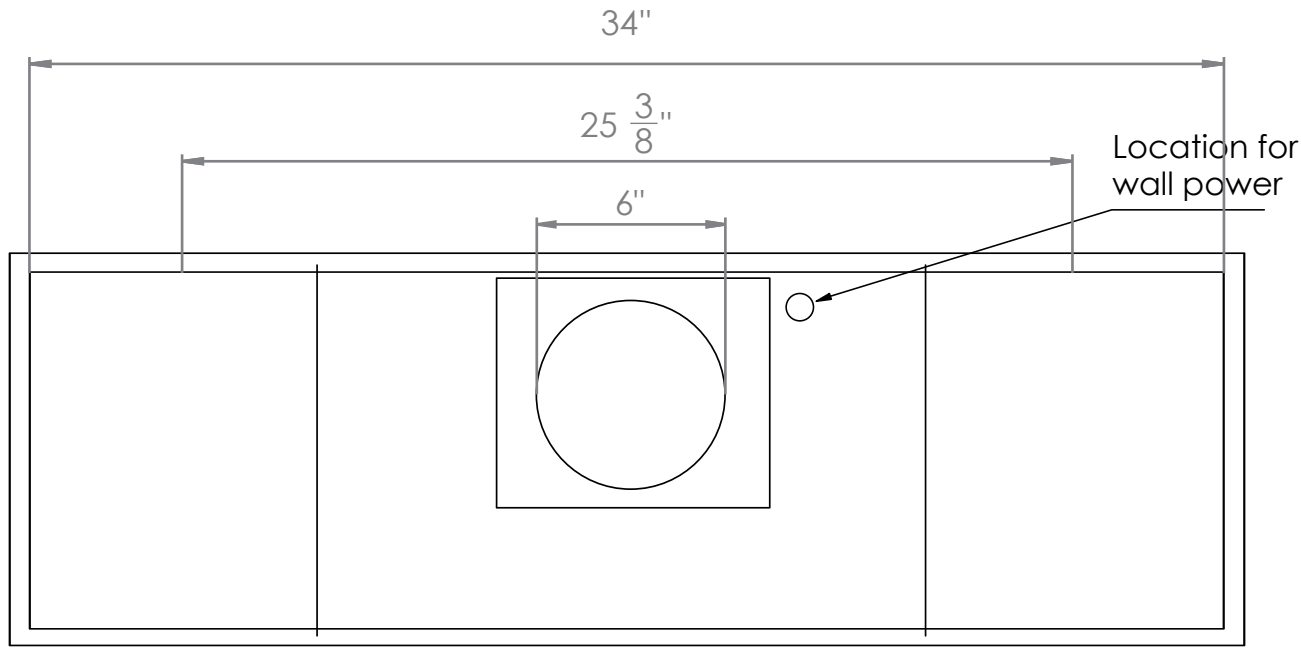


FRONT

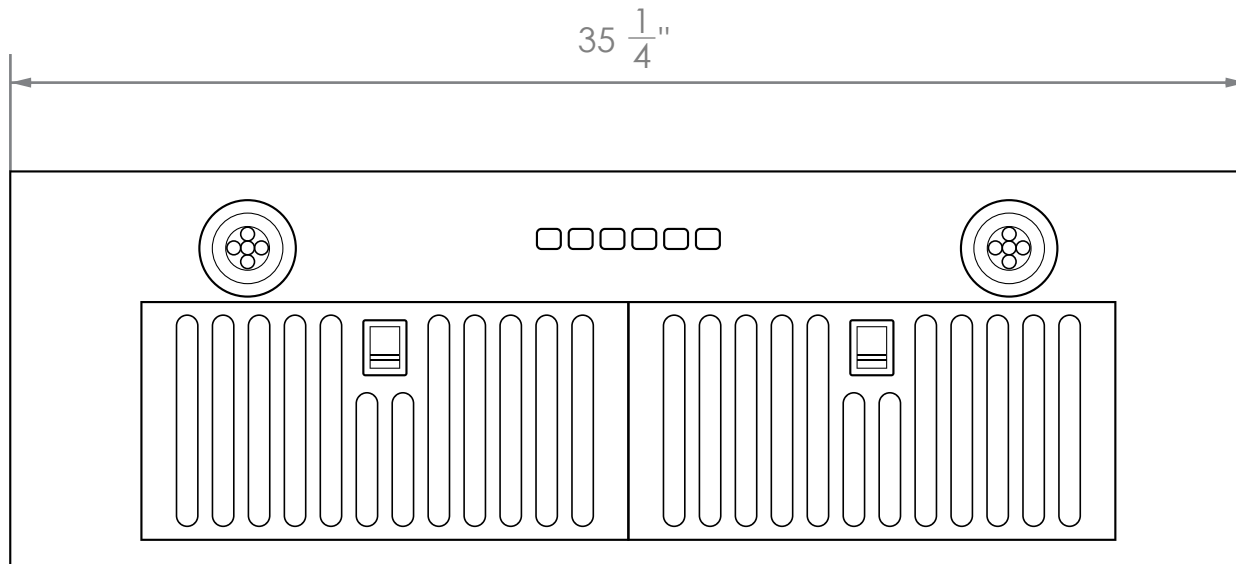


SIDE

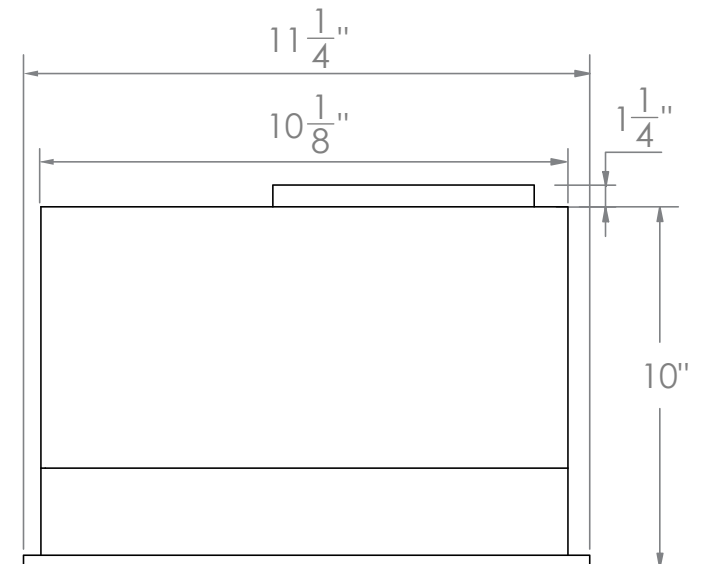
IN-R110SS-36



TOP



FRONT



SIDE