

JB650ED

GE® 30" Free-Standing Electric Range

Dimensions and Installation Information (in inches)

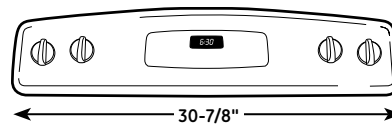
KW Rating	
240V	13.0
208V	10.8
Breaker Size	
40 Amps†	

†**Note:** Check local codes for required breaker size.

Effective January 1, 1996, the National Electrical Code requires that new construction (not existing) utilize a 4-conductor connection to an electric range.

Receptacle Locations: Locally approved flexible service cord or conduit must be used because terminals are not accessible after range installation. See shaded area in drawing for location of electrical outlet box. Recommended outlet locations allow range to be installed directly against wall.

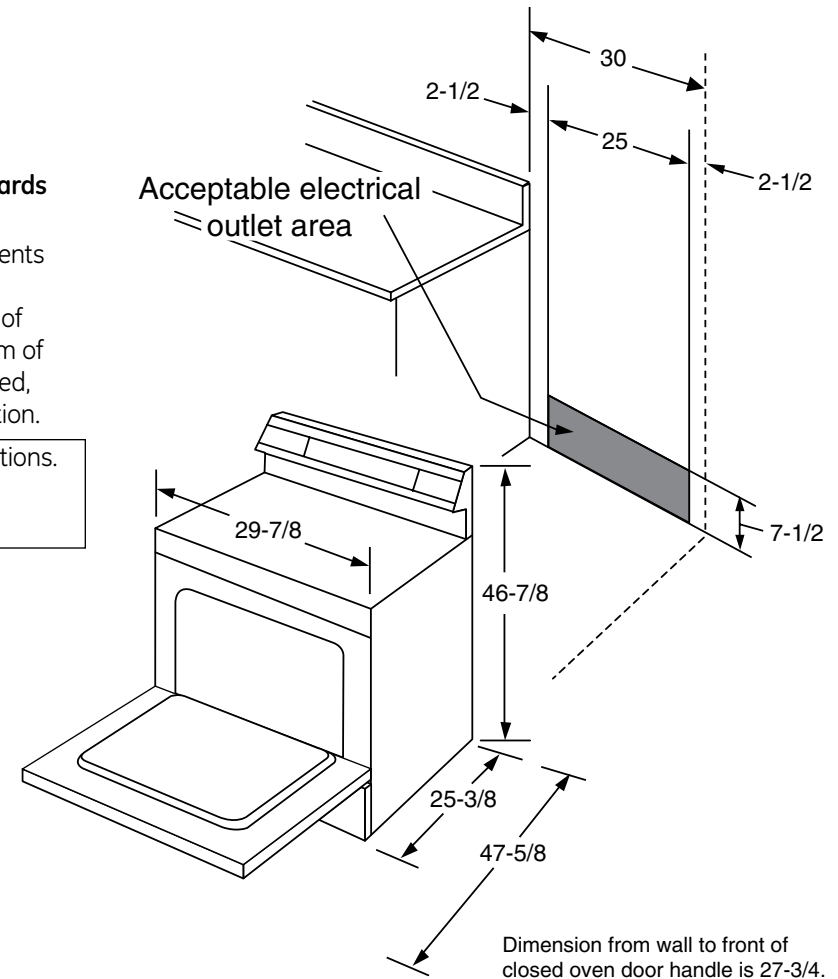
Installation information: Before installing, consult installation instructions packed with product for current dimensional data.



All 30" GE gas and electric range backguards are 30-7/8" wide.*

Note: 30" ranges conform to U.L. requirements for 0" spacing from adjacent walls below countertops. To reduce possible scorching of walls, engineering recommends a minimum of 1-1/2" spacing to allow for possible extended, high heat, no-load heating element operation.

*Fits most countertop backsplash applications. Consult Use & Care Manual for detailed installation instructions.



For answers to your Monogram®, GE Profile™ or GE® appliance questions, visit our website at geappliances.com or call GE Answer Center® service, 800.626.2000.



All GE ranges are equipped with an Anti-Tip device. The installation of this device is an important, required step in the installation of the range.



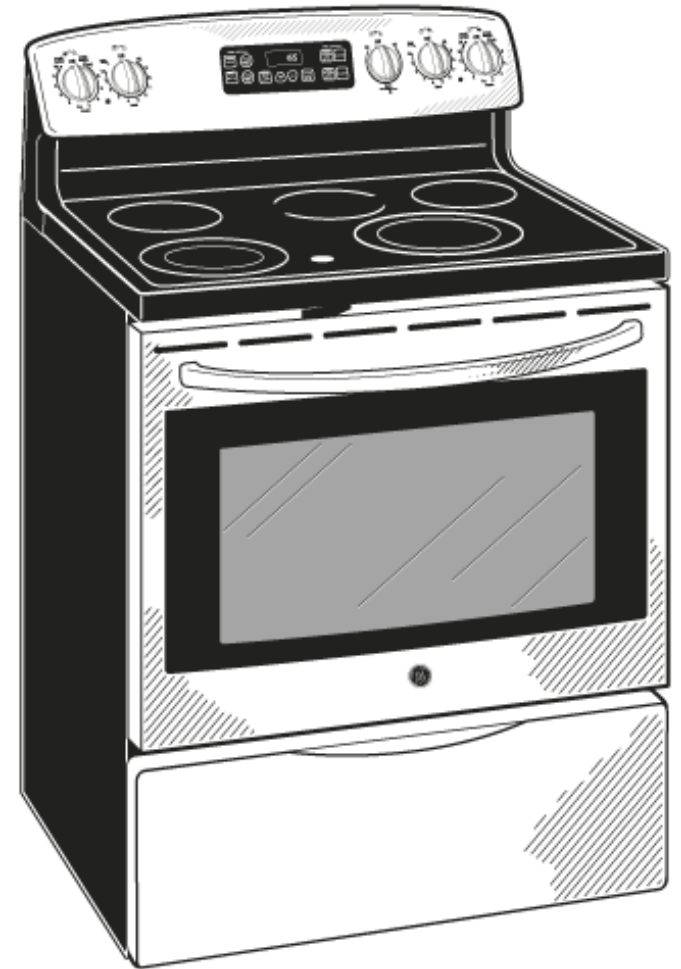
Listed by Underwriters Laboratories

JB650ED

GE® 30" Free-Standing Electric Range

Features and Benefits

- Self-clean with steam clean option - Gives the option of self-cleaning or steam cleaning
- 5.3 cu. ft. oven capacity - Enough room to cook an entire meal at once
- 9"/12" dual element - Choose a 9" or 12" heating element
- 6"/9" PowerBoil™ element - Produces rapid, powerful heat
- Fifth element warming zone - Provides low-heat capability for foods on the cooktop
- Hidden bake oven interior - Conceals the lower oven element to simplify cleaning
- TrueTemp™ oven system - Even heat distribution and maximum oven control
- Model JB650EDES - Slate



imagination at work