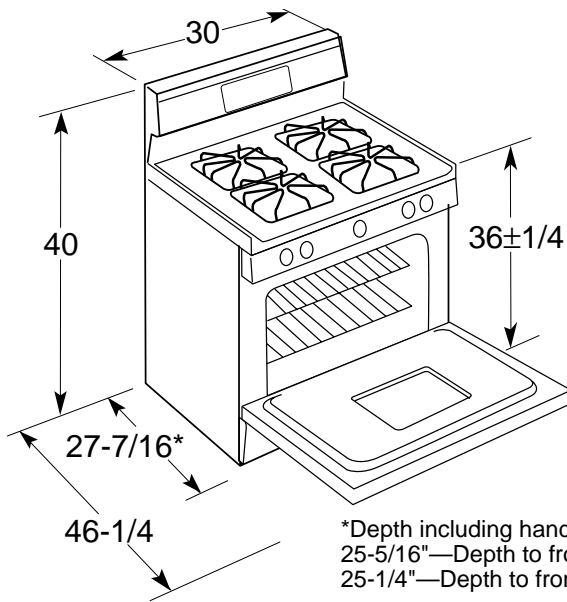




GE Appliances

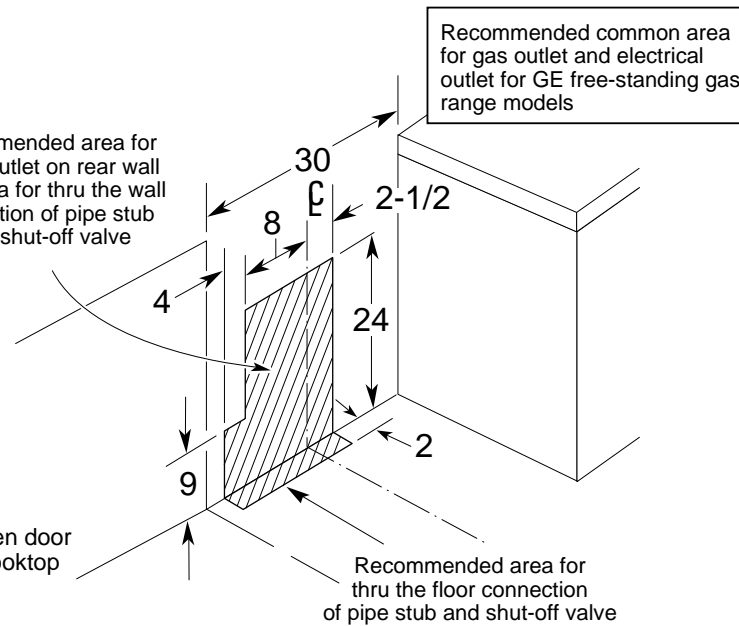
JGBS04BEACT – GE 30" Free-Standing XL44™ Gas Range

Dimensions (in inches) and Installation Information



*Depth including handle
 25-5/16"—Depth to front of closed oven door
 25-1/4"—Depth to front top edge of cooktop

Recommended area for 120V outlet on rear wall and area for thru the wall connection of pipe stub and shut-off valve



Optional Gas Range Accessory Drip Pans for Sealed and Standard Burner Models

(Available at additional cost)
 To order these accessory drip pans, call toll-free 800-848-7722.

Electrical Rating: 120V, 60Hz, 5A

Installation Information: Before installing, consult installation instructions packed with product for current dimensional data.

Specification Created 4/02



All GE ranges are equipped with an Anti-Tip device. The installation of this device is an important, required step in the installation of the range.

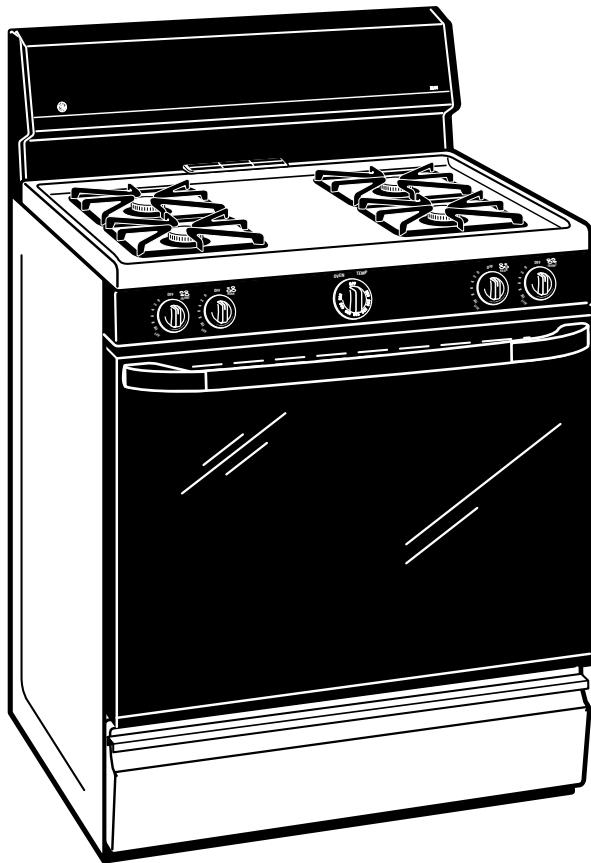


For answers to your Monogram®, GE Profile™ or GE appliance questions, visit our website at GEAppliance.com or call GE Answer Center® service, 800.626.2000.



GE Appliances

JGBS04BEACT – GE 30" Free-Standing XL44™ Gas Range



Features and Benefits

- Porcelain-Enameled Lift-Up Cooktop
- Standard/Twin Cooktop Burners
- Black Standard Porcelain-Steel Square Grates
- Electronic Pilotless Ignition System
- Extra-Large 4.4 cu. ft. Standard Clean Oven
- Slide Out Broiler Drawer
- Extra-Large Broiler Pan with Grid
- 2 Oven Racks/6 Embossed Rack Positions
- Easy-Clean Porcelain-Enameled Subtop
- Removable Black Frameless-Glass Oven Door
- Designer-Style Handle
- Porcelain-Enameled Scratch-Resistant Backguard
- Optional Accessory One-Piece Drip Pans Available at Additional Cost
- Also Available with Standing Pilot Ignition as Model JGBS04BPA
- Model JGBS04BEAWH – White
- Model JGBS04BEACT – Bisque