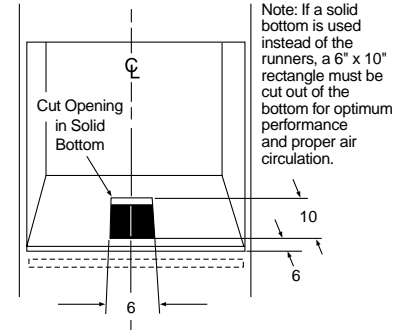
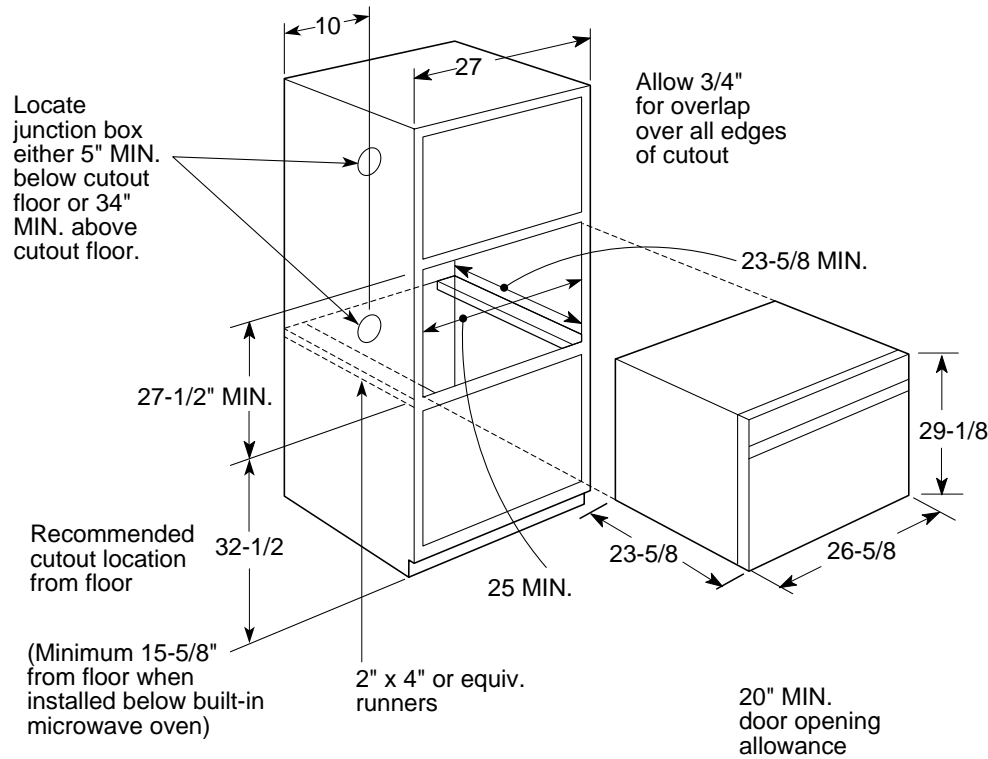




Profile Performance Series™

JK910AAAA - GE Profile Performance™ 27" Single Wall Oven

Dimensions (in inches)



KW Rating	
240V	3.4
208V	2.6
Breaker Size	
20 Amps†	

†Note: Check local codes for required breaker size.

Installation Information: Before installing, consult installation instructions [Pub. No. 31-10200] packed with product for current dimensional data.

Note: Cabinets installed adjacent to wall ovens must have an adhesion spec of at least 194°

For answers to your Monogram®, GE Profile Performance Series™, GE Profile™ or GE appliance questions, call GE Answer Center® service, 800.626.2000.





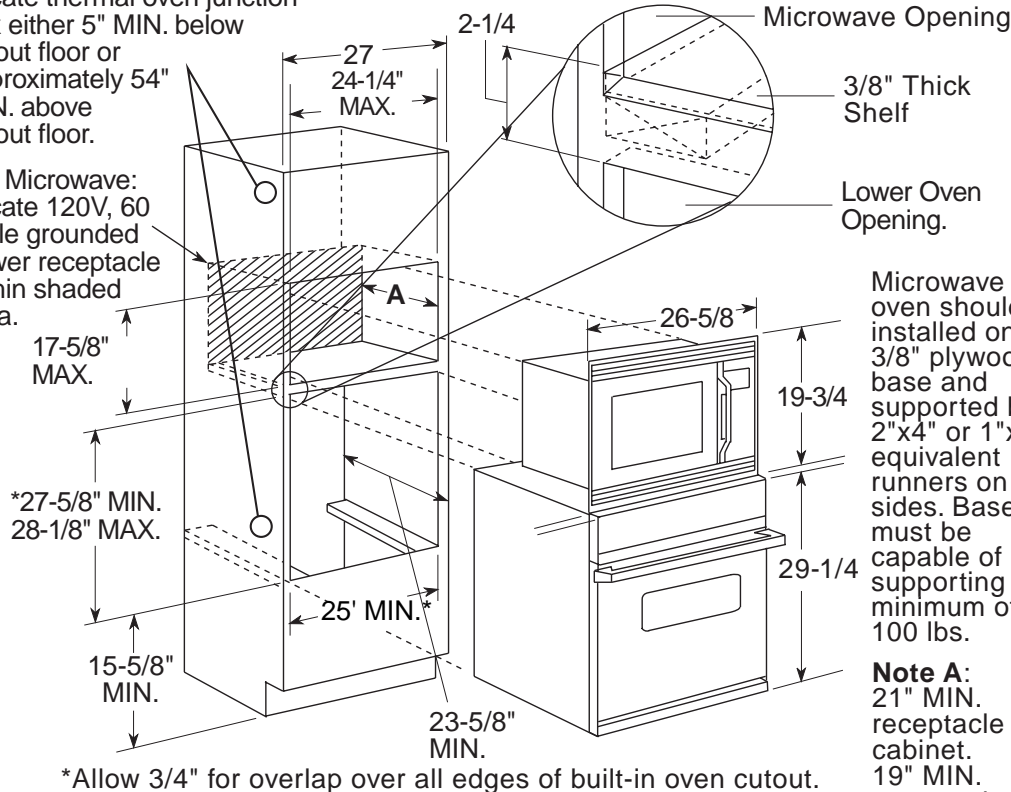
Profile Performance Series™

JK910AAAA - GE Profile Performance™ 27" Single Wall Oven

Dimensions (in inches)

Locate thermal oven junction box either 5" MIN. below cutout floor or approximately 54" MIN. above cutout floor.

For Microwave: Locate 120V, 60 cycle grounded power receptacle within shaded area.



*Allow 3/4" for overlap over all edges of built-in oven cutout.

Note: Recommend approximately 1/4" gap between microwave trim and wall oven trim. (The 2-1/4" dimension should create a 1/4" gap.) Allow 1-1/2" for overlap of the Microwave Oven Kit Trim over all edges of the trim kit cutout.

Installation Information: Before installing, consult installation instructions packed with accessory trim kit, microwave oven and single oven for current dimensional data.

Microwave oven should be installed on a 3/8" plywood base and supported by 2"x4" or 1"x4" equivalent runners on all sides. Base must be capable of supporting a minimum of 100 lbs.

Note A: 21" MIN. receptacle in cabinet. 19" MIN. receptacle outside cabinet.

For answers to your Monogram®, GE Profile Performance Series™, GE Profile™ or GE appliance questions, call GE Answer Center® service, 800.626.2000.





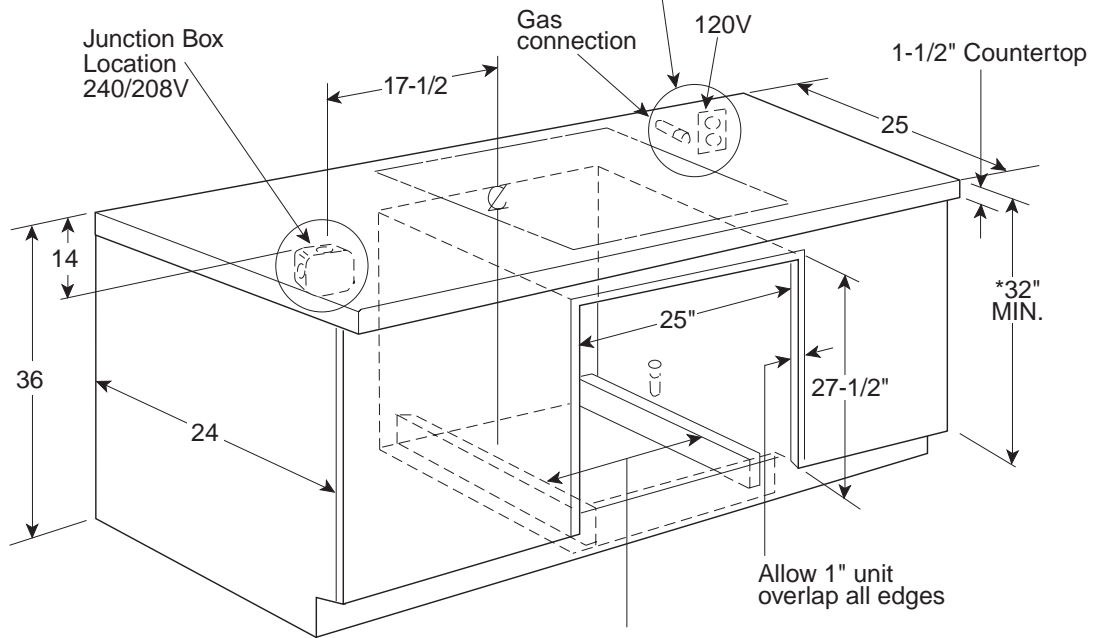
Profile Performance Series™

JK910AAAA - GE Profile Performance™ 27" Single Wall Oven

Dimensions (in inches)

Gas or electric cooktops may be installed over this oven.
See cooktop installation instructions for cutout size.
See label on top of oven for approved cooktop models

Gas and electrical connections for gas cooktop must be located in an adjacent accessible location to the right



Use 2—2" x 4"s or equivalent runners spaced 19" apart (on inside surfaces) centered in opening & flush with top of toe plate

*32" MIN. from top of countertop (1-1/2) to top of runners must be

Note: Oven is rated for use only under 30" gas (standard or sealed burner) and 30" electric (CleanDesign and Calrod®) cooktops. Excludes Induction Cooktops.

Installation Information: Before installing, consult installation instructions (Pub. No. 31-10200) packed with product for current dimensional data.

For answers to your Monogram®,
GE Profile Performance Series™,
GE Profile™ or GE appliance questions, call
GE Answer Center® service, 800.626.2000.



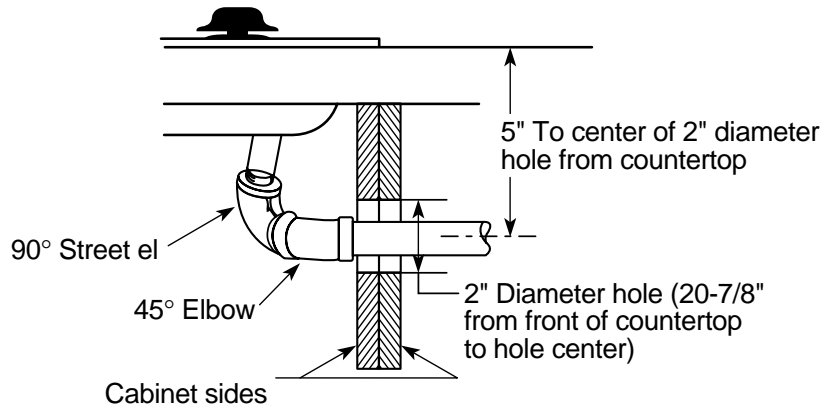
Listed by
Underwriters
Laboratories



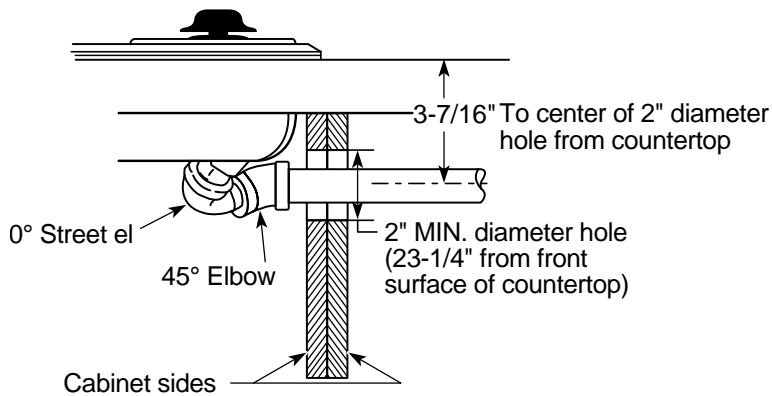
Profile Performance Series™

JK910AAAA - GE Profile Performance™ 27" Single Wall Oven

Sealed Burner Gas Cooktop Installation Dimensions (in inches)



Standard Burner Gas Cooktop Installation Dimensions (in inches)



Specification Revised 11/99

Note: Oven is rated for use only under 30" gas (standard or sealed burner) and 30" electric (CleanDesign and Calrod®) cooktops. Excludes Induction Cooktops.

Installation Information: Before installing, consult installation instructions packed with wall oven and cooktop, or installation instructions [Pub. No. 31-10200] packed with product for current dimensional data.

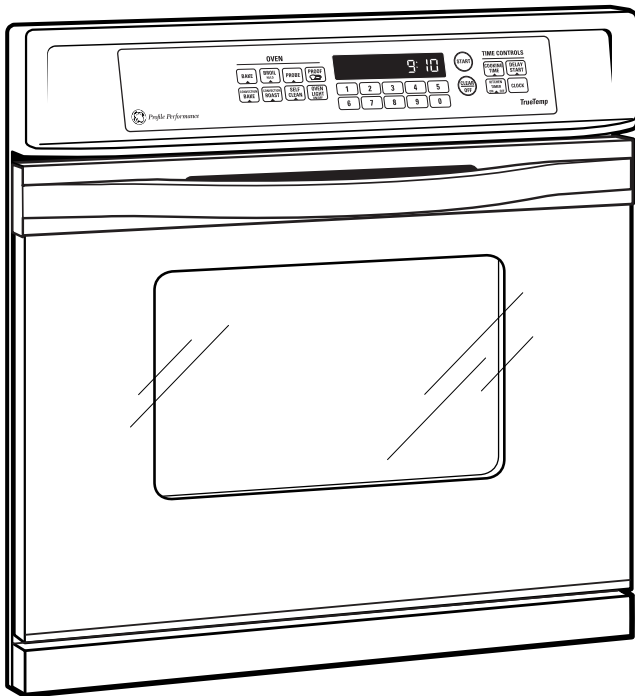
For answers to your Monogram®,
GE Profile Performance Series™,
GE Profile™ or GE appliance questions, call
GE Answer Center® service, 800.626.2000.





Profile Performance Series™

JK910AAAA - GE Profile Performance™ 27" Single Wall Oven



Features and Benefits

- TrueTemp™ System
- Large Capacity Self-Clean Convection Oven with Delay Clean Option
- SmartSet Electronic Oven Controls with Digipad
- Convection Bake and Convection Roast
- Bread Proofing Mode
- Baking Rack
- Hidden Bake Element
- Electronic Clock and Kitchen Timer
- Variable Broil
- Broiler Pan with Grid and Roasting Rack
- Interior Oven Light
- Frameless Glass Oven Door with Big-View Window
- Integrated Designer-Style Handle
- 27" Oven Cabinet Width Required
- Model JK910WAWW - White on white
- Model JK910BABB - Black on black
- Model JK910AAAA - Almond on almond
- Model JK910CACC - Bisque