



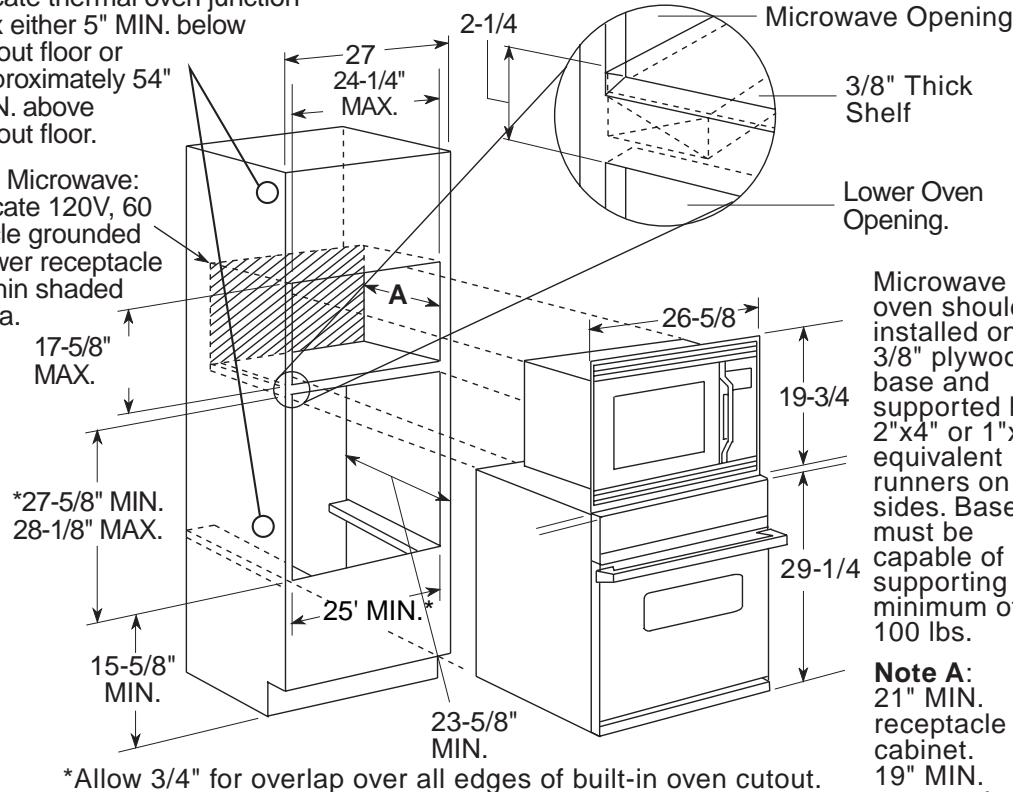
Profile Performance Series™

JK910BABB - GE Profile Performance™ 27" Single Wall Oven

Dimensions (in inches)

Locate thermal oven junction box either 5" MIN. below cutout floor or approximately 54" MIN. above cutout floor.

For Microwave: Locate 120V, 60 cycle grounded power receptacle within shaded area.



Note: Recommend approximately 1/4" gap between microwave trim and wall oven trim. (The 2-1/4" dimension should create a 1/4" gap.) Allow 1-1/2" for overlap of the Microwave Oven Kit Trim over all edges of the trim kit cutout.

Installation Information: Before installing, consult installation instructions packed with accessory trim kit, microwave oven and single oven for current dimensional data.

Microwave oven should be installed on a 3/8" plywood base and supported by 2"x4" or 1"x4" equivalent runners on all sides. Base must be capable of supporting a minimum of 100 lbs.

Note A: 21" MIN. receptacle in cabinet. 19" MIN. receptacle outside cabinet.

For answers to your Monogram®, GE Profile Performance Series™, GE Profile™ or GE appliance questions, call GE Answer Center® service, 800.626.2000.

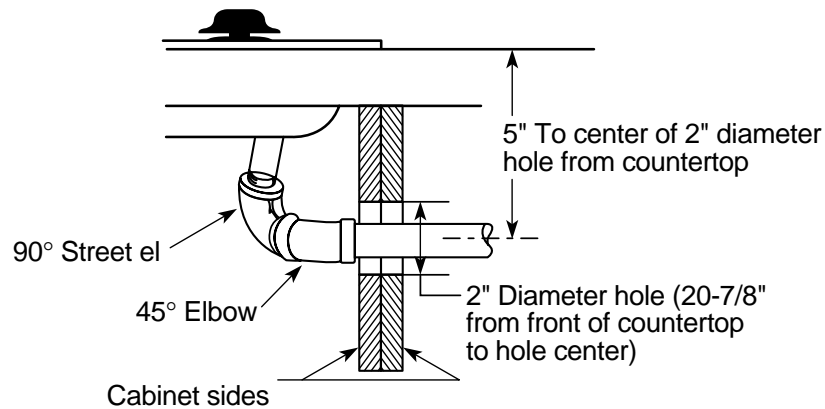




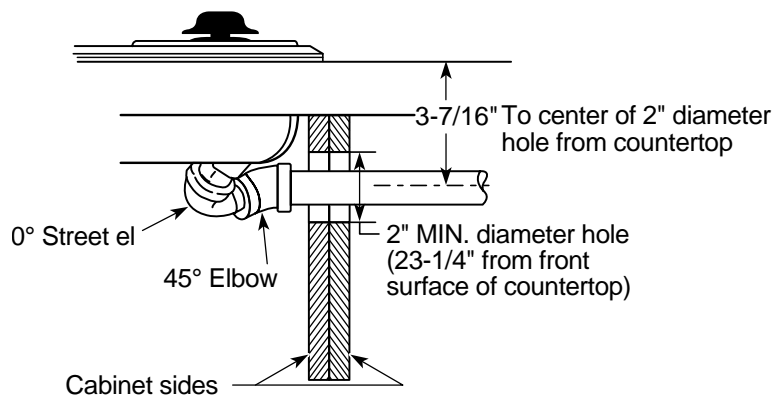
Profile Performance Series™

JK910BABB - GE Profile Performance™ 27" Single Wall Oven

Sealed Burner Gas Cooktop Installation Dimensions (in inches)



Standard Burner Gas Cooktop Installation Dimensions (in inches)



Specification Revised 11/99

Note: Oven is rated for use only under 30" gas (standard or sealed burner) and 30" electric (CleanDesign and Calrod®) cooktops. Excludes Induction Cooktops.

Installation Information: Before installing, consult installation instructions packed with wall oven and cooktop, or installation instructions [Pub. No. 31-10200] packed with product for current dimensional data.

For answers to your Monogram®,
GE Profile Performance Series,™
GE Profile™ or GE appliance questions, call
GE Answer Center® service, 800.626.2000.





Profile Performance Series™

JK910BABB - GE Profile Performance™ 27" Single Wall Oven



Features and Benefits

- TrueTemp™ System
- Large Capacity Self-Clean Convection Oven with Delay Clean Option
- SmartSet Electronic Oven Controls with Digipad
- Convection Bake and Convection Roast
- Bread Proofing Mode
- Baking Rack
- Hidden Bake Element
- Electronic Clock and Kitchen Timer
- Variable Broil
- Broiler Pan with Grid and Roasting Rack
- Interior Oven Light
- Frameless Glass Oven Door with Big-View Window
- Integrated Designer-Style Handle
- 27" Oven Cabinet Width Required
- Model JK910WAWW - White on white
- Model JK910BABB - Black on black
- Model JK910AAAA - Almond on almond
- Model JK910CACC - Bisque