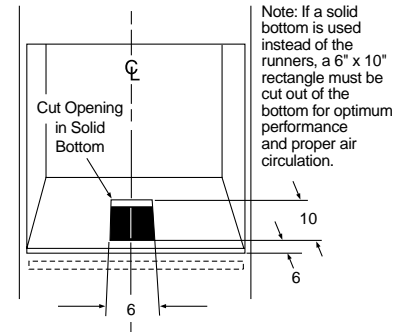
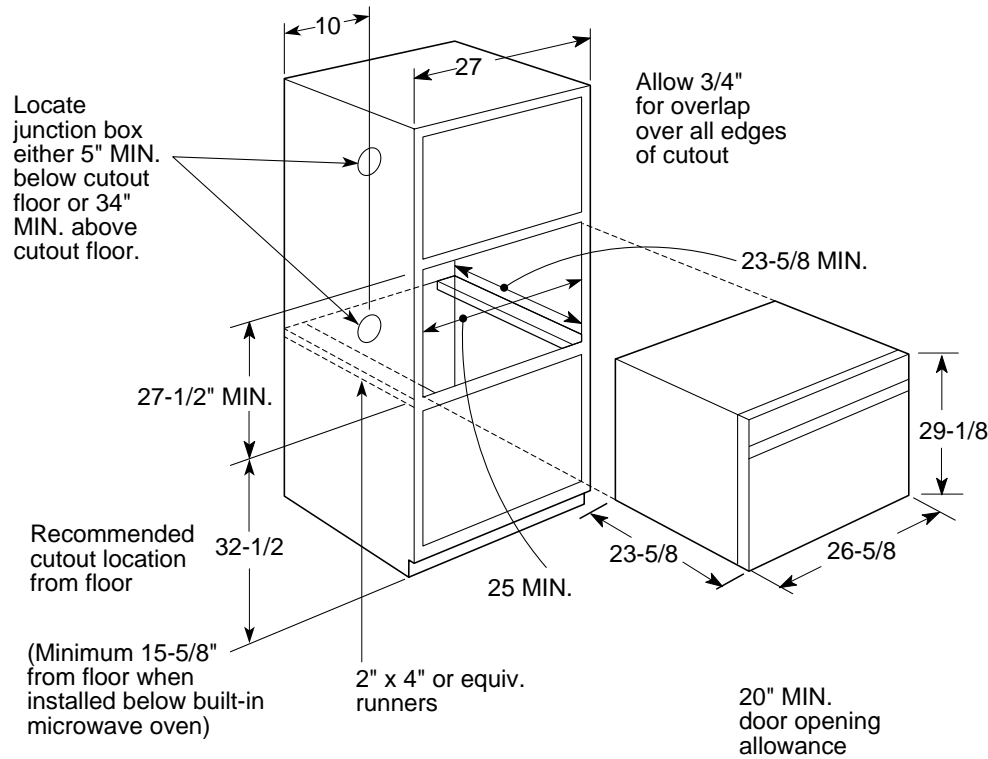




# Profile Performance Series™

## JK910WAWW - GE Profile Performance™ 27" Single Wall Oven

### Dimensions (in inches)



KW Rating	
240V	3.4
208V	2.6
Breaker Size	
20 Amps†	

†Note: Check local codes for required breaker size.

**Installation Information:** Before installing, consult installation instructions [Pub. No. 31-10200] packed with product for current dimensional data.

**Note:** Cabinets installed adjacent to wall ovens must have an adhesion spec of at least 194°

For answers to your Monogram®, GE Profile Performance Series™, GE Profile™ or GE appliance questions, call GE Answer Center® service, 800.626.2000.



Listed by Underwriters Laboratories



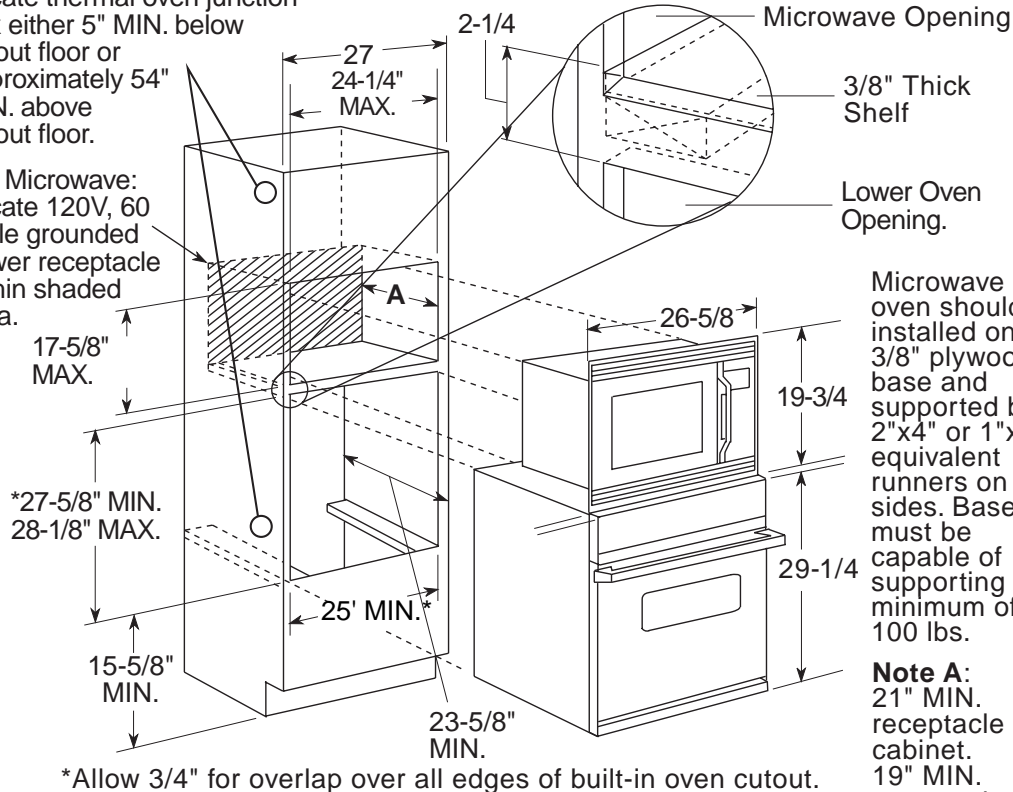
# Profile Performance Series™

## JK910WAWW - GE Profile Performance™ 27" Single Wall Oven

### Dimensions (in inches)

Locate thermal oven junction box either 5" MIN. below cutout floor or approximately 54" MIN. above cutout floor.

For Microwave: Locate 120V, 60 cycle grounded power receptacle within shaded area.



\*Allow 3/4" for overlap over all edges of built-in oven cutout.

**Note:** Recommend approximately 1/4" gap between microwave trim and wall oven trim. (The 2-1/4" dimension should create a 1/4" gap.) Allow 1-1/2" for overlap of the Microwave Oven Kit Trim over all edges of the trim kit cutout.

**Installation Information:** Before installing, consult installation instructions packed with accessory trim kit, microwave oven and single oven for current dimensional data.

Microwave oven should be installed on a 3/8" plywood base and supported by 2"x4" or 1"x4" equivalent runners on all sides. Base must be capable of supporting a minimum of 100 lbs.

**Note A:** 21" MIN. receptacle in cabinet. 19" MIN. receptacle outside cabinet.

For answers to your Monogram®, GE Profile Performance Series™, GE Profile™ or GE appliance questions, call GE Answer Center® service, 800.626.2000.



Listed by Underwriters Laboratories



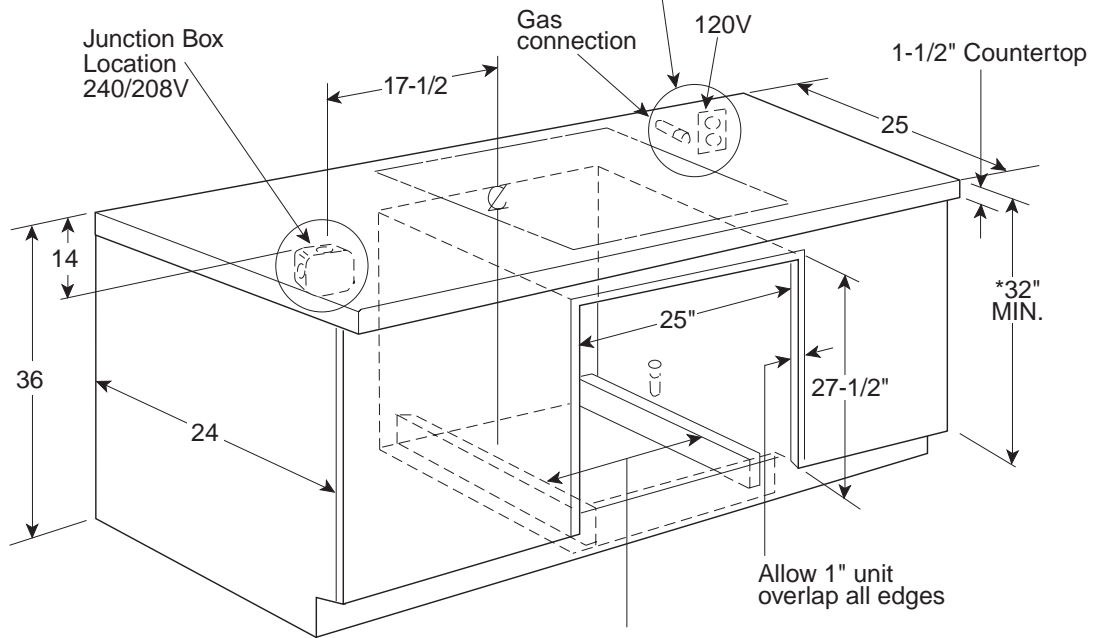
# Profile Performance Series™

## JK910WAWW - GE Profile Performance™ 27" Single Wall Oven

### Dimensions (in inches)

Gas or electric cooktops may be installed over this oven.  
See cooktop installation instructions for cutout size.  
See label on top of oven for approved cooktop models

**Gas and electrical connections for gas cooktop** must be located in an adjacent accessible location to the right



Use 2—2" x 4"s or equivalent runners spaced 19" apart (on inside surfaces) centered in opening & flush with top of toe plate

\*32" MIN. from top of countertop (1-1/2) to top of runners must be

**Note:** Oven is rated for use only under 30" gas (standard or sealed burner) and 30" electric (CleanDesign and Calrod®) cooktops. Excludes Induction Cooktops.

**Installation Information:** Before installing, consult installation instructions (Pub. No. 31-10200) packed with product for current dimensional data.

For answers to your Monogram®,  
GE Profile Performance Series™,  
GE Profile™ or GE appliance questions, call  
GE Answer Center® service, 800.626.2000.



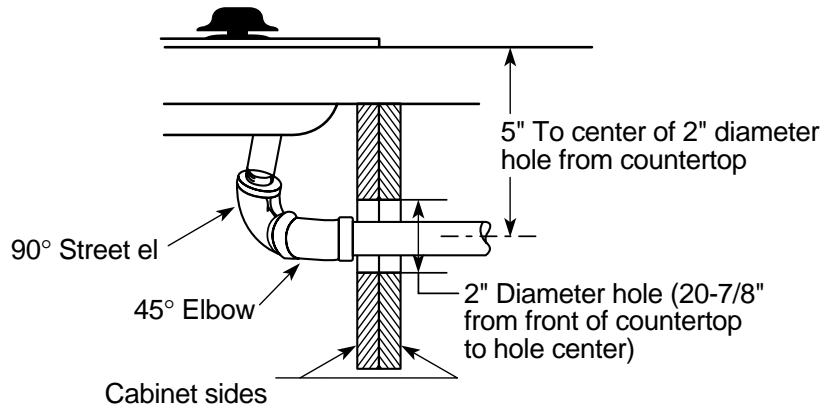
Listed by  
Underwriters  
Laboratories



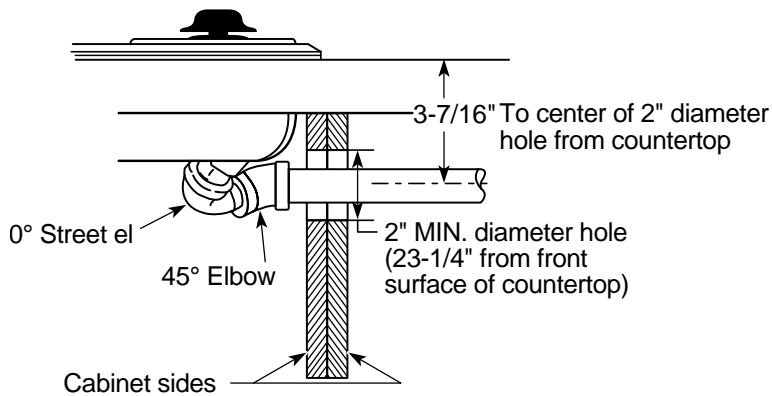
## Profile Performance Series™

### JK910WAWW - GE Profile Performance™ 27" Single Wall Oven

#### Sealed Burner Gas Cooktop Installation Dimensions (in inches)



#### Standard Burner Gas Cooktop Installation Dimensions (in inches)



Specification Revised 11/99

**Note:** Oven is rated for use only under 30" gas (standard or sealed burner) and 30" electric (CleanDesign and Calrod®) cooktops. Excludes Induction Cooktops.

**Installation Information:** Before installing, consult installation instructions packed with wall oven and cooktop, or installation instructions [Pub. No. 31-10200] packed with product for current dimensional data.

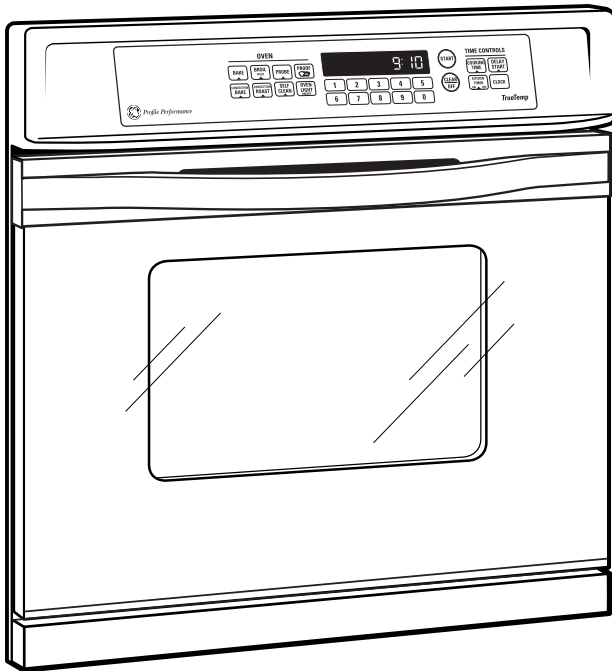
For answers to your Monogram®,  
GE Profile Performance Series™,  
GE Profile™ or GE appliance questions, call  
GE Answer Center® service, 800.626.2000.





## Profile Performance Series™

### JK910WAWW - GE Profile Performance™ 27" Single Wall Oven



#### Features and Benefits

- TrueTemp™ System
- Large Capacity Self-Clean Convection Oven with Delay Clean Option
- SmartSet Electronic Oven Controls with Digipad
- Convection Bake and Convection Roast
- Bread Proofing Mode
- Baking Rack
- Hidden Bake Element
- Electronic Clock and Kitchen Timer
- Variable Broil
- Broiler Pan with Grid and Roasting Rack
- Interior Oven Light
- Frameless Glass Oven Door with Big-View Window
- Integrated Designer-Style Handle
- 27" Oven Cabinet Width Required
- Model JK910WAWW - White on white
- Model JK910BABB - Black on black
- Model JK910AAAA - Almond on almond
- Model JK910CACC - Bisque