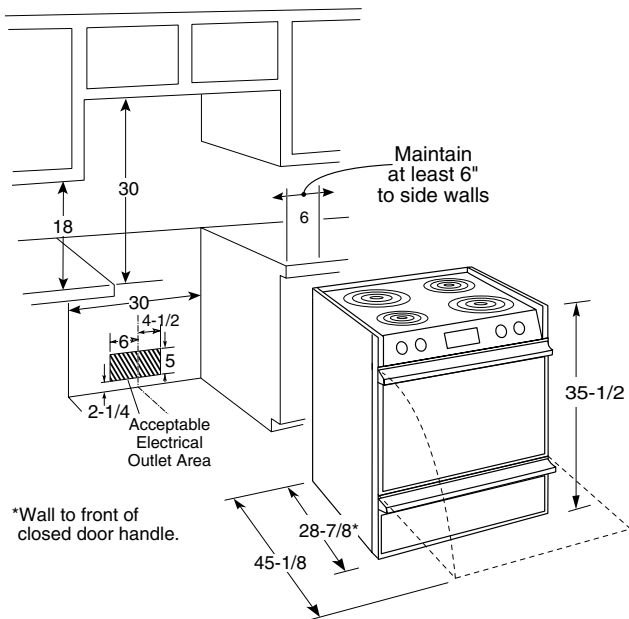




Profile™

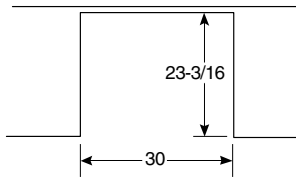
## JS960TBWW—GE Profile Performance™ 30" Slide-In Electric Range

### Dimensions (in inches)

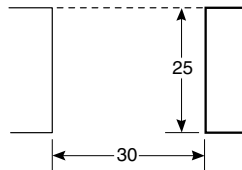


**Note:** Range may be placed with 0" clearance (flush) at the back wall and side walls if the range side trims extend beyond the cabinet fronts at least 1/4". (Self-clean models only.)

If you are NOT using the optional Filler or Backguard:



If you are using the optional Filler or Backguard:



KW Rating		Breaker Size
240V	11.4	40 Amps†
208V	8.6	

†**Note:** Check local codes for required breaker size.

**Models are shipped with color-matched Rear Filler Strip Kit.**

**Optional Kits for Slide-In Electric Ranges** (Available at additional cost)

#### Rear Filler Strip Kits

JXS28—Rear Filler Strip Kit (Brushed-Chrome)

#### Accessory Backguards

JXS31—White Accessory Backguard

JXS32—Brushed Chrome Accessory Backguard

JXS33—Almond Accessory Backguard

JXS34—Black Accessory Backguard

JXS35—Bisque Accessory Backguard

#### Endcap Kit

JXS40—Endcap kit to accommodate replacement where countertop may already be notched.

#### Lower/Side Trim Kits

JXS52BB—Lower Trim Kit (Black)

JXS53WW—Lower Trim Kit (White)

JXS54AA—Lower Trim Kit (Almond)

JXS55CC—Lower Trim Kit (Bisque)

Pub. No. 3-A040—Vertical Side Trim Kit (Brushed-Chrome)

**Note:** All 30" Slide-In Ranges conform to U.L. requirements for 0" spacing from range to adjacent walls below countertop. To reduce possibility of scorching of the side wall adjacent to the heating elements, it is recommended a minimum of 6" spacing from adjacent side walls be allowed for possible extended, high-heat, no-load operation of heating elements.

**Receptacle Location:** For all 30" Slide-In Ranges, locally approved flexible service cord or conduit must be used because terminals are not accessible after range installation. See shaded area in drawing for location of electrical outlet box. Recommended outlet locations allow range to be installed directly against rear wall.

**Note:** Cabinets installed adjacent to slide-in ranges must have an adhesion spec of at least 194°.

**Installation Information:** Before installing, consult installation instructions (Pub. No. 31-10070) packed with product for current dimensional data.

For answers to your Monogram®, GE Profile Performance Series™, GE Profile™ or GE appliance questions, call GE Answer Center® service, 800.626.2000.



All GE ranges are equipped with an Anti-Tip device. The installation of this device is an important, required step in the installation of the range.

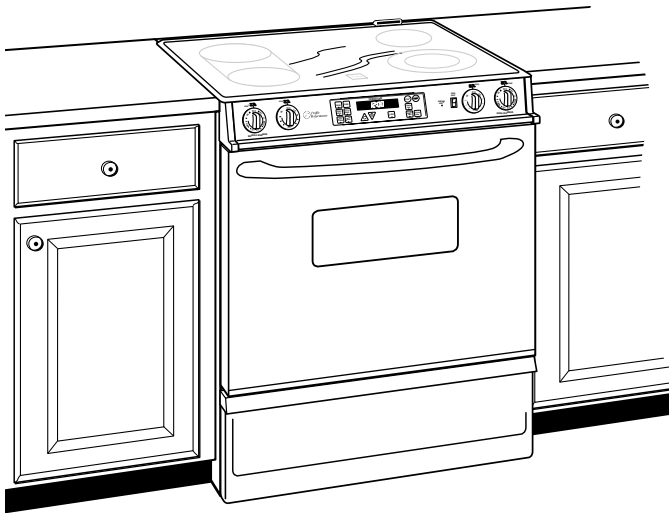


Listed by Underwriters Laboratories



*Profile™*

## **JS960TBWW—GE Profile Performance™ 30" Slide-In Electric Range**



### **Features and Benefits**

- Ceramic Glass Cooktop with Patterned Glass
- Self-Cleaning Oven With Automatic Oven Door Lock
- One 6", One 6"/9" Dual Element and Two 7" Ribbon Heating Elements with Bridge Burner Element
- SmartSet Electronic Controls
- Digital Electronic Clock and Minute Timer
- Convection Roast and Convection Bake
- Convection Conversion
- Hi/Lo Broil
- 3 Oven Shelves
- Automatic Oven Shut-Off with Override
- Automatic Oven Timer
- Hot Surface Indicator Lights
- Broiler Pan With Grid
- Interior Oven Light
- Full-Width Storage Drawer
- Designer-Style Handle
- Frameless Glass Oven Door With Window
- Model JS960TBWW - True White
- Model JS960WBWW - White on white
- Model JS960BBBB - Black on black
- Model JS960CBCC - Bisque