

K 2802 Vi  
MasterCool™ refrigerator  
For high-end design and technology on a large scale.



- Push2open for convenient door-opening assistance
- Food stays fresh for up to 3 x longer thanks to SmartFresh
- Light floods the interior thanks to LED elements – BrilliantLight
- Convenient control thanks to color touch display MasterSensor

EAN: 4002516321583 / Material number: 11502590 /  
Old Material Number: 36280201USA

<b>General information</b>	
Model number	K 2802 Vi
Manufacturer material number	11502590
EAN number	4002516321583
Class	Diamond
<b>Appliance category</b>	
Fridge	•
<b>Design</b>	
Built-in	•
Built-in integrated	•
Door hinge side	right
Convertible hinging	•
Can be installed side-by-side	•
<b>Design</b>	
Lighting	BrilliantLight
<b>User convenience</b>	
Networking with Miele@home	•
Electronic temperature display and control	MasterSensor
SuperCool	•
Sabbath mode	•
Freshness system	MasterFresh
DynaCool	•
SoftClose door closing damper	•
SelfClose	•
Push2open	•
FullAccess	•
EasyClean	•
MaxLoad hinge	•
<b>Control</b>	
No. of temperature zones	2
Eco mode	•
<b>Fridge/fridge zone</b>	
Height-adjustable, full-width tempered glass shelves	2
Number of VeggieBoxes	1
No. of PerfectFresh drawers	2
SlidingShelf	•
Door rack for tins	1
Inner door racks for bottles	3
<b>Efficiency and sustainability</b>	
Energy Star Qualified	•
<b>Safety</b>	
Lock function	•
Spill-proof glass shelves	•
Acoustic door alarm	•
Acoustic temperature alarm, freezer section	•
Optical door alarm	•
Optical temperature alarm	•

K 2802 Vi  
MasterCool™ refrigerator  
For high-end design and technology on a large scale.



EAN: 4002516321583 / Material number: 11502590 /  
Old Material Number: 36280201USA

Technical data	
Niche width in inches (mm), min.	30 (762)
Niche width in inches (mm), max.	30 (762)
Niche height in inches (mm), min.	84 1/8 (2134)
Niche height in inches (mm), max.	84 1/8 (2134)
Niche depth in in.(mm)	24 7/8 (629)
Appliance width in in.(mm)	29 7/8 (756)
Appliance height in in.(mm)	83 3/4 (2125)
Appliance depth in in.(mm)	24 (608)
Weight in lbs.(kg)	342 (155.1)
Type of mounting	Fixed door
Total usable capacity in cu. ft. (l)	16.77 (475)
Current consumption in milliampere (mA)	4000
Voltage in V	110-120
Fuse rating in A	10
Number of phases	1
Frequency in Hz	60
Wire length in ft (m)	9 (3.0)
Replacing bulbs	Customer Service

#### Standard accessories

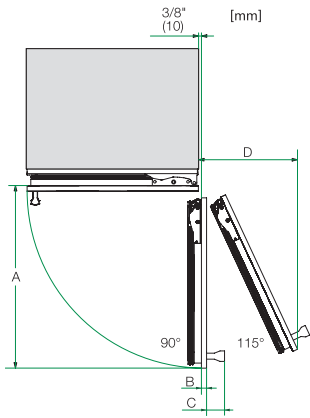
Active AirClean filter •

#### Available display languages

Available display languages via MultiLingua

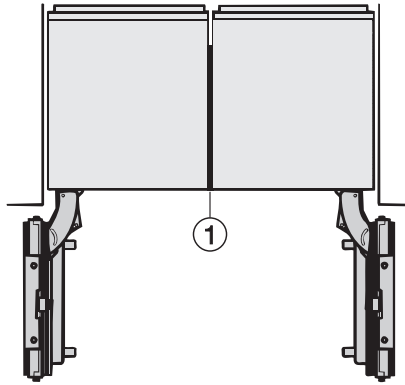
[?][?][?][?][?][?][?][?], [?]  
 [?], [?][?][?][?], deutsch,  
 dansk, english, english  
 (AU), english (CA), english  
 (GB), english (US), eesti,  
 suomi, français, français  
 (CA), français (FR),  
 ελληνικά, italiano, [?][?]  
 [?], [?][?][?], hrvatski,  
 latviesu, lietuviu, bahasa  
 malaysia, nederlands, norsk,  
 polski, portuguais, română,  
 русский, svenska, srpski,  
 slovenčina, slovenščina,  
 español, čeština, türkçe,  
 українська, magyar

K 2802 Vi  
MasterCool™ refrigerator  
For high-end design and technology on a large scale.



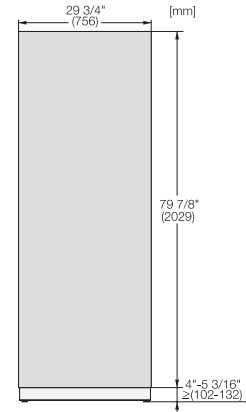
Opening angle 90°/115°, right side stop, MasterCool (Sketch) \*footnote

A) Appliance door width, K 2601 Vi, K 2601 SF, KWT 2601 Vi, KWT 2601 SF, KWT 2661 ViS, KWT 2661 SFS: 677 mm (26 2/3 inch), K 2602 Vi, K 2602 SF, KWT 2602 Vi, KWT 2602 SF, KWT 2662 ViS, KWT 2662 SFS: 677 mm (26 2/3 inch), K 2801 Vi, K 2801 SF, KF 2801 Vi, KF 2801 SF: 829 mm (32 2/3 inch), K 2802 Vi, K 2802 SF, KF 2802 Vi, KF 2802 SF: 829 mm (32 2/3 inch), K 2901 Vi, K 2901 SF, KF 2901 Vi, KF 2901 SF: 982 mm (38 2/3 inch), K 2902 Vi, K 2902 SF, KF 2902 Vi, KF 2902 SF: 982 mm (38 2/3 inch); B) Furniture front (max. 38 mm) (1 1/2 inch), C) Door handle, D) Distance door to wall (without furniture front and door handle): K 2601 Vi, K 2601 SF, KWT 2601 Vi, KWT 2601 SF, KWT 2661 ViS, KWT 2661 SFS: 296 mm (11 2/3 inch), K 2602 Vi, K 2602 SF, KWT 2602 Vi, KWT 2602 SF, KWT 2662 ViS, KWT 2662 SFS: 296 mm (11 2/3 inch), K 2801 Vi, K 2801 SF, KF 2801 Vi, KF 2801 SF: 363 mm (14 1/3 inch), K 2802 Vi, K 2802 SF, KF 2802 Vi, KF 2802 SF: 363 mm (14 1/3 inch), K 2901 Vi, K 2901 SF, KF 2901 Vi, KF 2901 SF: 428 mm (16 7/8 inch), K 2902 Vi, K 2902 SF, KF 2902 Vi, KF 2902 SF: 428 mm (16 7/8 inch), E) ONLY valid for SF versions: A + 25 mm (1 inch)

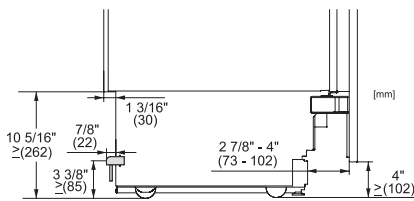


Side-by-side, MasterCool, without partition wall, with heating mat (Sketch) (with footnote)

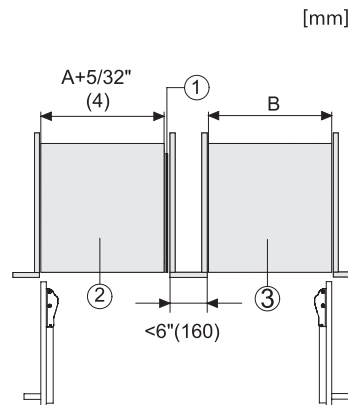
1) Heating mat KSK 2001 (EU, AUS, CN) or KSK 2002 (US, CA, MX, BR)



KFP3005ed/cs, KFP3004ed/cs, Front panel, Front dimensions, MasterCool II, installation drawings

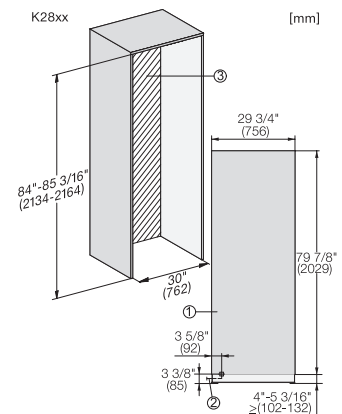


Sideview, MasterCool, Sketch



Side-by-Side, MasterCool, footnote, installation drawings

1. KSK 2001/2002, 2. Device A, 3. Device B, A = niche device A, B = niche device B



K2801Vi, K2811Vi, K2801SF, K2811SF, installation, MasterCool, \*footnote, installation drawings

1. View from the front, 2. Mains connection cable, L = 3000 mm (118 inch), 3. No water/ELT connections permitted in this area