

# KDU30X

Product family	Hood
Hood Type	Decorative wall hood
Design	Chimney
Extraction	Vented
Material	Stainless steel
Stainless steel type	Brushed
EAN code	8017709242046
Hood width	30 "



## Aesthetic

Aesthetics	Classic	Finishing	Satin
Color	Stainless steel	Logo	Embossed

## Controls

Control setting	Control knobs	Control knobs	Classic
No. of controls	2	Controls color	Stainless steel effect

## Technical Features

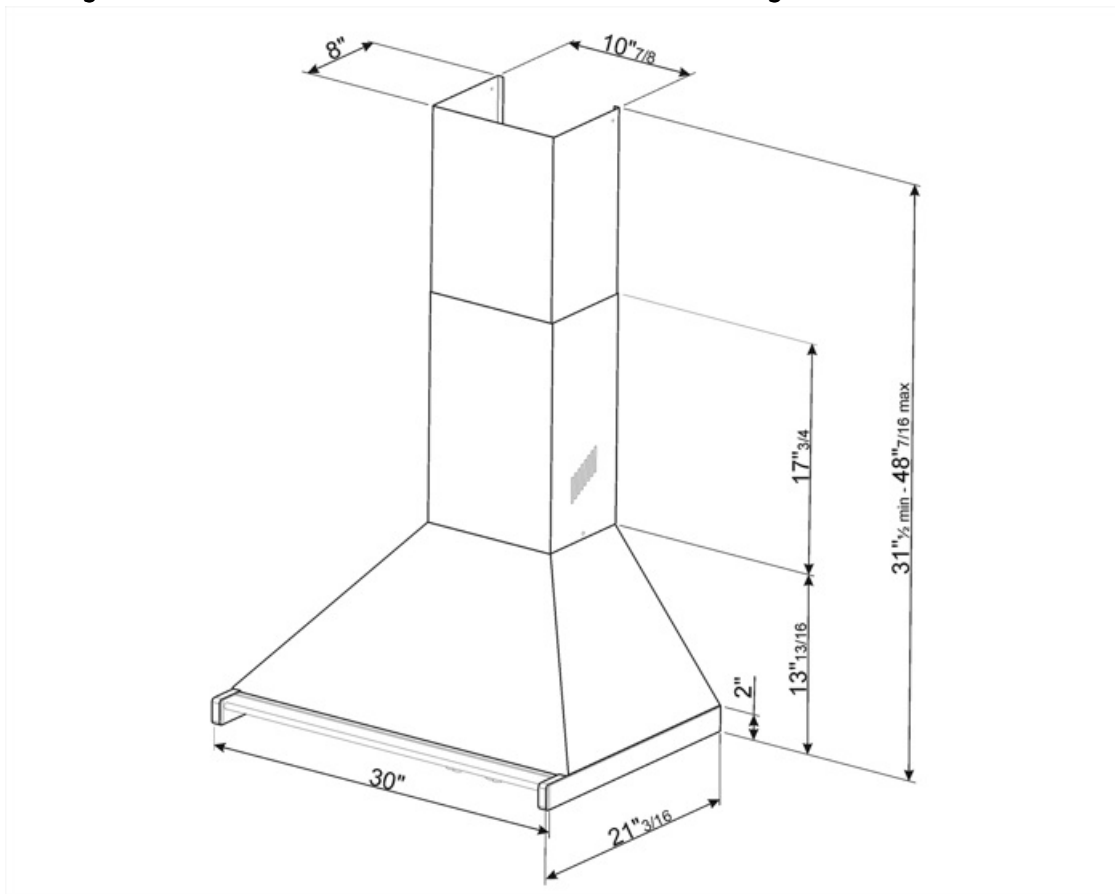
			
No. of lights	2	No. of filters	3
Lighting	Halogen	Anti-grease filters	Aluminum
Light power	20 W	Vent outlet	5 7/8 "
Light color temperature scale (°K)	3000 °K	Minimum distance from gas cooktop	650 "
Maximum extraction capacity at free mode	677 CFM	Minimum distance from electric cooktop	650 "
Motor power	455 W	Non-return valve	Yes

	Extraction rate [CFM]	Noise level [dBA]
Speed level 1	275.5	48
Speed 2	411.5	55
Speed 3	551	61

Speed level 4	665	69
---------------	-----	----

## Electrical Connection

Electrical connection rating	495 W	Frequency (Hz)	60 Hz
Voltage	120 V	Power supply cable length	1000 "



---

## Not included accessories

---



### FLTK-1

Round Charcoal filters (kit 2 pieces)



### KITCMNKD

Chimney extension dimension 202.8 \*  
276 \* 800



### KITALLFC

Universal Charcoal filter Stainless Steel AISI 304 The filter can be washed in dishwasher 50 °C (water and suitable detergent) and to dry it put in the oven 180°C 25 minutes

## Symbols glossary (TT)

---



**Filters:** Model has filters to help remove grease from the steam emanating from the pans during cooking.



**Lights:** All cooker hoods feature lights to illuminate the cooking area or add to the ambience of the kitchen.