

KFN 4776 ED

Freestanding fridge-freezer

with DailyFresh and NoFrost in 30" width for a lot of storage space.



- Large capacity drawer with moisture control – DailyFresh
- Two separate air circuits for optimum cooling – DuplexCool
- Uniform temperature distribution inside the appliance – DynaCool
- No icing up of food and no need to defrost thanks to NoFrost
- Soft closing of the door with SoftClose

EAN: 4002516517450 / Material number: 11954030 /
Old Material Number: 38477650USA

General information	
Model number	KFN 4776 ED
Manufacturer material number	11954030
EAN number	4002516517450
Marketing class	Gold
Appliance category	
Fridge-freezer	•
Design	
Free-standing	•
Door hinge side	right
Convertible hinging	•
Design	
Casing color	Silver
Front color	Stainless steel/CleanSteel
User convenience	
Fridge zone lighting	LED
Networking with Miele@home	•
Freshness system	DailyFresh
Door opening aid	EasyOpen lever handle
ComfortClean	•
ComfortSize	•
DynaCool	•
Party mode	•
Holiday mode	•
NoFrost	•
DuplexCool	•
VarioRoom	•
SoftClose door closing damper	•
Control	
Electronic temperature display and control	SensorTouch
Precise adjustment	Fridge and freezer temperature
Fridge compartment can be switched off	Yes
Independent temperature control of fridge and freezer compartments	Yes
SuperCool	•
SuperFrost	•
No. of temperature zones	2
Sabbath mode	•
Fridge/fridge zone	
No. of shelves	3
including number of split shelves (FlexiBoard)	1
Chrome-plated metal bottle rack	•
No. of PerfectFresh drawers	1
Dry back wall	Plastic
Number of door racks for cans	2
Door rack for bottles	1
Door shelves	4

KFN 4776 ED

Freestanding fridge-freezer

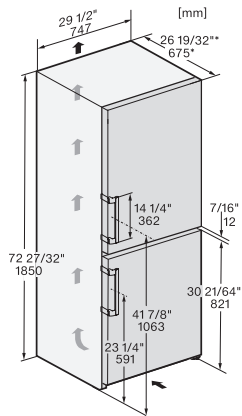
with DailyFresh and NoFrost in 30" width for a lot of storage space.



EAN: 4002516517450 / Material number: 11954030 /
Old Material Number: 38477650USA

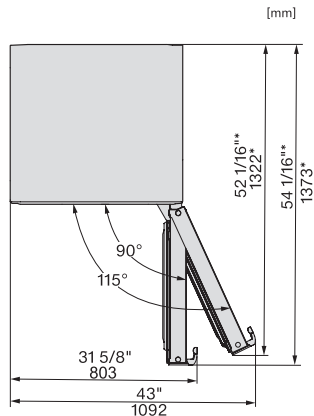
Freezer/freezer zone	
Number of freezer drawers	3
Safety	
Lock function	•
Acoustic door alarm	•
Acoustic temperature alarm, freezer section	•
Optical door alarm	•
Optical temperature alarm	•
Power cut indication for freezer compartment	•
Technical data	
Appliance width in in.(mm)	29 1/2 (747)
Appliance height in in.(mm)	73 1/8 (1855)
Appliance depth in in.(mm)	26 5/8 (675)
Weight in lbs.(kg)	201 (91.1)
Climate range	SN-T
Fridge compartment volume in cu. ft. (l)	10.42 (295)
4-star freezer compartment volume in cu. ft. (l)	4.87 (138)
Total usable capacity in cu. ft. (l)	15.29 (433)
Current consumption in milliamperes (mA)	2300
Voltage in V	120
Fuse rating in A	10
Number of phases	1
Frequency in Hz	60
Wire length in ft (m)	6 (2.0)
Replacing bulbs	Customer Service
Standard accessories	
Egg rack	•
Ice cube trays	•

KFN 4776 ED
 Freestanding fridge-freezer
 with DailyFresh and NoFrost in 30" width for a lot of storage space.



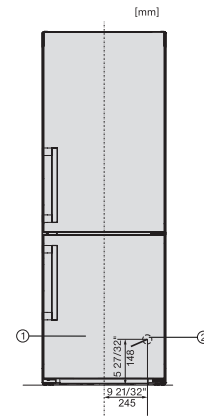
KFN4776ED, installation sketch (US)

*To achieve the declared energy consumption, the spacers supplied with the unit must be used. This increases the depth of the unit by approx. 15 mm. The unit is fully functional without the use of the spacers, but has a slightly higher energy consumption.



KFN4776ED, top view (US)

*To achieve the declared energy consumption, the spacers supplied with the unit must be used. This increases the depth of the unit by approx. 15 mm. The unit is fully functional without the use of the spacers, but has a slightly higher energy consumption.



KFN4776ED, installation (US)

1. View from the front, 2. Mains connection cable, L = 2000 mm