

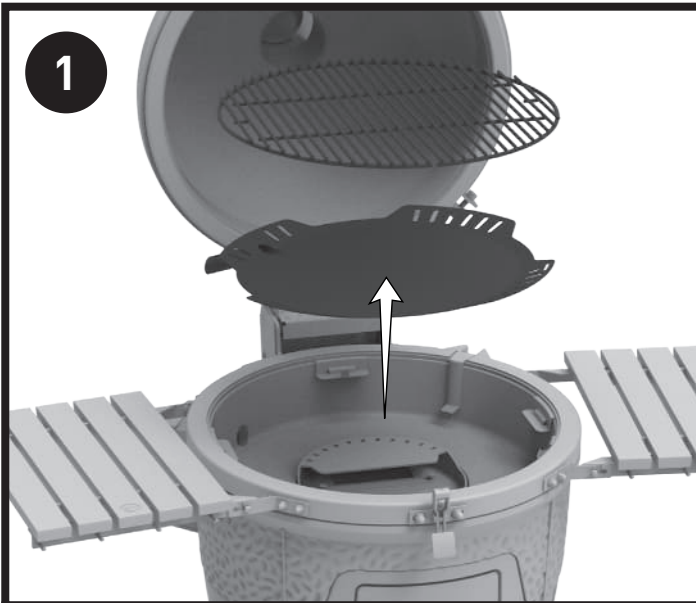
KJ15260020
KAMADOJOE®
Pellet Joe Ignitor



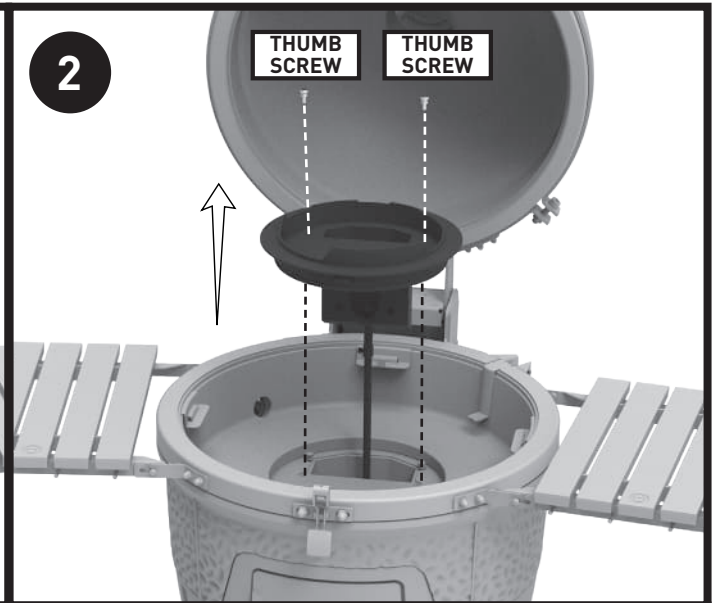
CAUTION - SAFETY PRECAUTIONS - READ BEFORE USE



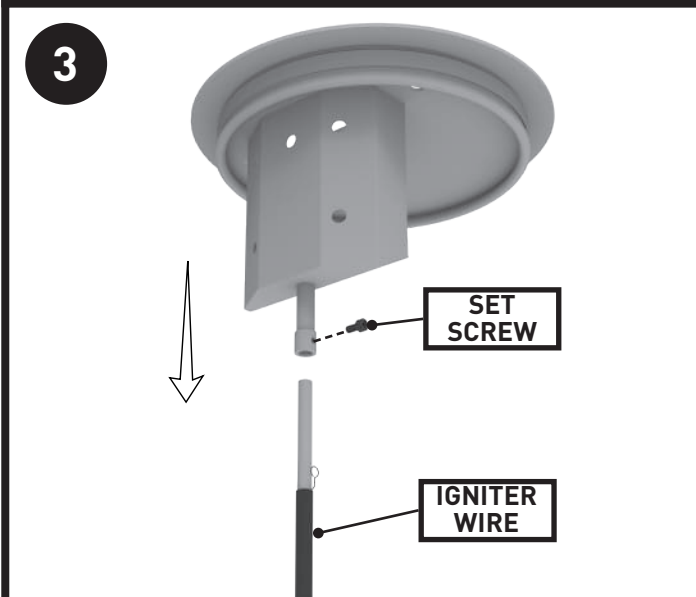
- Make sure your grill has fully cooled before handling to avoid burns.
- Some components may have sharp edges. Use caution to avoid injury.
- Disconnect the power supply from the grill before handling.



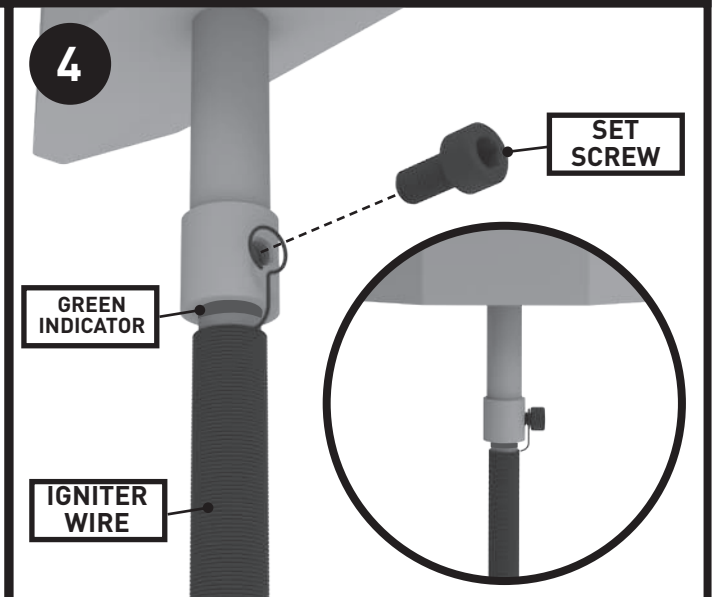
Remove the grates and drip pan.



Remove the two thumb screws that secure the firebox.
Lift out the firebox.



Unscrew the small set screw underneath the firebox and un-clip the igniter wire.



Replace the damaged igniter probe. Tighten the set screw. Igniter should protrude into the firebox by 3/4" (20mm). Some green should be visible on the igniter wire.

Re-Install the firebox and igniter wire assembly.