

KM 3485 G
42-inch gas cooktop
with 2 dual wok burners for particularly versatile cooking convenience.



- Simple controls -single-handed operation via rotary dial control
- Professional design – 42 1/2 (1079) in (mm) wide stainless steel trough
- Particularly versatile – 6 burners incl. Two dual woks
- Extremely safe – GasStop function
- Easy cleaning – ComfortClean dishwasher-safe grates

EAN: 4002514141190 / Material number: 06792850 /
Old Material Number: 26348550USA

| | |
|---|---|
| General information | |
| Model number | KM 3485 G |
| Manufacturer material number | 06792850 |
| EAN number | 4002514141190 |
| Marketing class | Platinum |
| Heating type | |
| Fuel type | Gas |
| Design | |
| Independent of oven | • |
| Design | |
| Stainless steel trough | • |
| Cast iron pot rest (matte black enameled) | • |
| Cooking zone details | |
| No. of rings | 6 |
| Gas burner power rating | |
| Normal burner in kW | 2.60 |
| Normal burner in BTU/h | 9000 |
| Large burner in kW | 3.50 |
| Large burner in BTU/h | 12000 |
| Dual wok burner in kW | 4.50 |
| Dual wok burner in BTU/h | 15300 |
| 1st cooking zone/cooking area | |
| Position | front left |
| Type | Dual wok burner |
| 2nd cooking zone/cooking area | |
| Position | rear left |
| Type | Standard burner |
| 3rd cooking zone/cooking area | |
| Position | rear center |
| Type | High-speed burner |
| 4th cooking zone/cooking area | |
| Position | rear right |
| Type | Standard burner |
| 5th cooking zone/cooking area | |
| Position | front right |
| Type | Dual wok burner |
| 6th cooking zone/cooking area | |
| Position | front center |
| Type | High-speed burner |
| User convenience | |
| Operation via knobs | • |
| Electronic ignition with one-handed operation | • |
| QuickStart | • |
| Safety | |
| GasStop & ReStart | • |
| Technical data | |
| Dimensions (H x W x D) in mm | 5 (125) x 42 1/2 (1079) x 21 3/8 (542) |

KM 3485 G
 42-inch gas cooktop
 with 2 dual wok burners for particularly versatile cooking convenience.



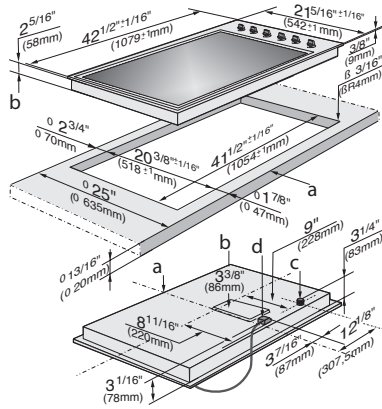
EAN: 4002514141190 / Material number: 06792850 /
 Old Material Number: 26348550USA

| | |
|---------------------------------------|---------------------|
| Dimensions (width) in in. (mm) | 42 1/2 (1079) |
| Dimensions (height) in in. (mm) | 5 (125) |
| Depth in in. (mm) | 21 3/8 (542) |
| Cutout dimensions (width) in in. (mm) | 41 1/2 in (1054 mm) |
| Cutout dimensions (depth) in in. (mm) | 20 1/2 in (518 mm) |
| Weight in lbs. (kg) | 63 (29) |
| Total connected load in kW | 21.50 |
| Power cord length in in. (m) | 3 (1.2) |
| Position of gas connection | Hinten rechts |
| Voltage in V | 120 |
| Frequency in Hz | 60 |
| Standard accessories | |
| Power cord | No |

KM 3485 G

42-inch gas cooktop

with 2 dual wok burners for particularly versatile cooking convenience.



KM 3484/KM3485 (Installation drawing) – USA

1. Front, 2. Installation height, 3. Gas connection, 4. Electrical connection