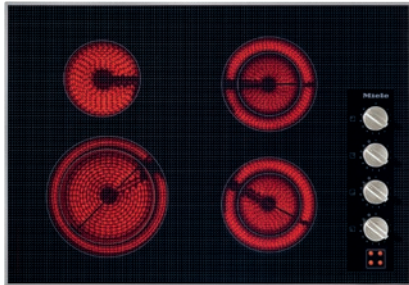


KM 5624 240V

30-inch electric cooktop, operated with its own controls
with a width of 30 5/8 (775) in (mm) 30 5/8 (775) in (mm) for ultra-convenient cooking.



- Easy and direct controls – operation via knob controls
- Attractive design – 30 5/8 (775) in (mm) wide with stainless steel frame
- Versatile – 4 cooking zones
- Safe – residual heat indicator for every cooking zone

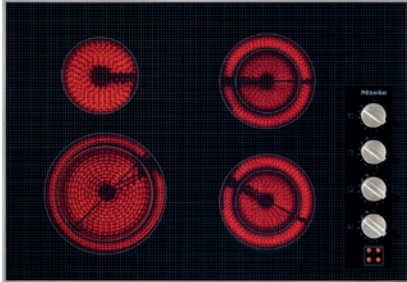
EAN: 4002514865911 / Material number: 07821680 /
Old Material Number: 26562450USA

| | |
|---------------------------------------|--|
| Heating type | |
| Fuel type | Electric |
| Design | |
| Independent of oven | • |
| Design | |
| Elegant glass ceramic surface | • |
| Ceramic surface color | Black |
| All-round stainless-steel frame | • |
| Print design | Basalt grey decor |
| Proud installation | • |
| Proud/flush-mounted | –/– |
| Cooking zone details | |
| No. of rings | 4 |
| Number of cooking zones/cooking areas | –/– |
| 1st cooking zone/cooking area | |
| Position | front left |
| Type | Variable cooking zone |
| Size in mm | Ø 180 / Ø 230 |
| Max. rating in W | 1600/2500 |
| 2nd cooking zone/cooking area | |
| Position | rear left |
| Type | Single-circuit ring |
| Size in mm | Ø 145 |
| Max. rating in W | 1200 |
| 3rd cooking zone/cooking area | |
| Position | rear right |
| Type | Variable cooking zone |
| Size in mm | Ø 120 / Ø 180 |
| Max. rating in W | 700/1800 |
| 4th cooking zone/cooking area | |
| Position | front right |
| Type | Variable cooking zone |
| Size in mm | Ø 120 / Ø 180 |
| Max. rating in W | 700/1800 |
| User convenience | |
| Extended cooking zone | • |
| Operation via knobs | • |
| Display color | Red |
| Efficiency and sustainability | |
| Residual heat utilisation | • |
| Cleaning convenience | |
| Easy to clean ceramic glass | • |
| Safety | |
| Overheating protection | • |
| Residual heat indicator | • |
| Technical data | |
| Dimensions (H x W x D) in mm | 3 1/4 (81) x 30 5/8 (775) x 21 1/2 (544) |

KM 5624 240V

30-inch electric cooktop, operated with its own controls

with a width of 30 5/8 (775) in (mm) 30 5/8 (775) in (mm) for ultra-convenient cooking.



EAN: 4002514865911 / Material number: 07821680 /

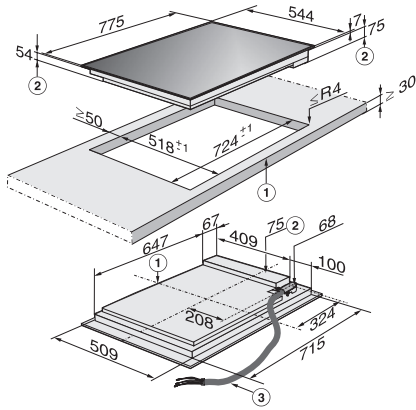
Old Material Number: 26562450USA

| | |
|---|--------------------|
| Dimensions (width) in in. (mm) | 30 5/8 (775) |
| Dimensions (height) in in. (mm) | 3 1/4 (81) |
| Depth in in. (mm) | 21 1/2 (544) |
| Built-in height with mains connection box in in. (mm) | 3 (75) |
| Cutout dimensions (width) in in. (mm) | 28 5/8 in (724 mm) |
| Cutout dimensions (depth) in in. (mm) | 20 1/2 in (518 mm) |
| Weight in lbs. (kg) | 35 (16) |
| Total connected load in kW | 7.30 |
| Power cord length in in. (m) | 4 (1.4) |
| Voltage in V | 240 |
| Frequency in Hz | 60 |
| Number of phases | 1 |
| Neutral conductor | Yes |
| Standard accessories | |
| Razor-blade scraper | • |
| Power cord | Yes |

KM 5624 240V

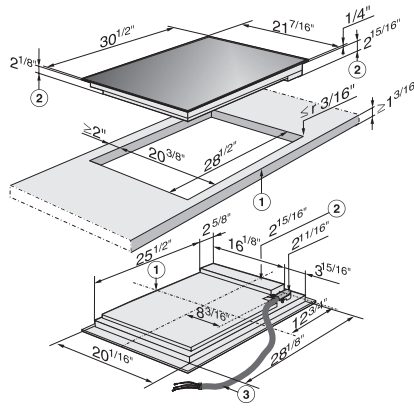
30-inch electric cooktop, operated with its own controls

with a width of 30 5/8 (775) in (mm) 30 5/8 (775) in (mm) for ultra-convenient cooking.



KM 5624 (Installation drawing)

1. Front, 2. Building-in depth, 3. Flexible metal hose, L = 1200 mm



KM 5624 (Installation drawing)

1. Front, 2. Building-in depth, 3. Flexible metal hose, L = 47 1/4"