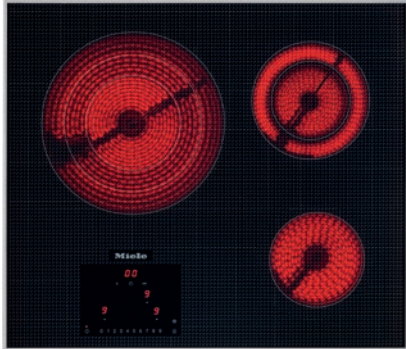


KM 5820 240V

Electric cooktop

With 3 cooking zones for maximum convenience at an attractive entry level price.



- Intuitive selection via numerical linear keybank – Direct control
- Attractive design – 24 3/4 (626) in (mm) wide with stainless steel frame
- Versatile – 3 cooking zones
- Convenient – Auto heat-up for every cooking zone
- Safe – residual heat indicator for every cooking zone

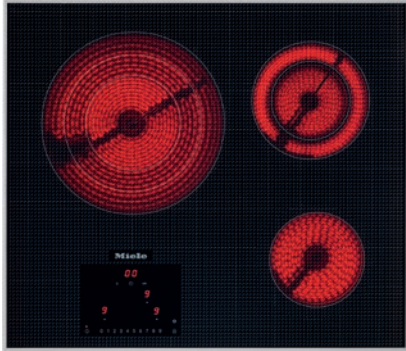
EAN: 4002514866659 / Material number: 07821720 / Old Material Number: 26582050USA

Heating type	
Fuel type	Electric
Design	
Independent of oven	•
Design	
Elegant glass ceramic surface	•
Ceramic surface colour	Black
Stainless steel frame	•
Print design	Basalt grey decor
Proud installation	•
Cooking zone details	
No. of rings	3
1st cooking zone/cooking area	
Position	left center
Type	Variable cooking zone
Size in mm	Ø 145 / Ø 210 / Ø 270
Max. rating in W	1100/2150/3100
2nd cooking zone/cooking area	
Position	rear right
Type	Variable cooking zone
Size in mm	Ø 120 / Ø 180
Max. rating in W	700/1800
3rd cooking zone/cooking area	
Position	front right
Type	Single-circuit ring
Size in mm	Ø 145
Max. rating in W	1200
User convenience	
Operation via sensor controls	Direct selection
Extended cooking zone	•
Display colour	Red
Auto heat-up	•
Stop & Go function	•
Safety switch-off	•
Minute minder	•
Cleaning convenience	
Easy to clean ceramic glass	•
Safety	
Safety cut-out	•
Lock function	•
System lock	•
Overheating protection	•
Residual heat indicator	•
Technical data	
Dimensions (H x W x D) in inches (mm)	
Dimensions (width) in in. (mm)	24 3/4 (626)
Dimensions (height) in in. (mm)	2 1/2 (62)
Dimensions in mm (depth)	21 1/2 (544)
Cutout dimensions (width) in in. (mm)	22 3/8 (567)
Cutout dimensions (depth) in in. (mm)	20 1/2 (518)

KM 5820 240V

Electric cooktop

With 3 cooking zones for maximum convenience at an attractive entry level price.



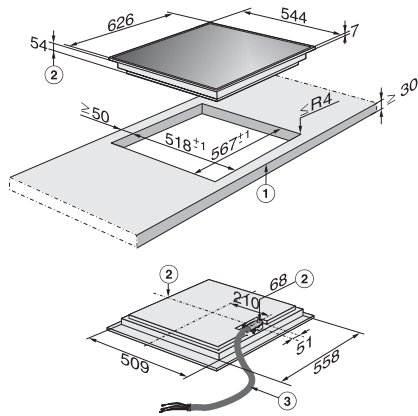
EAN: 4002514866659 / Material number: 07821720 / Old Material Number: 26582050USA

Casing height incl. connection box in mm	2 3/4 (67)
Weight in lbs. (kg)	26 (12)
Total connected load in kW	6.10
Power cord length in in. (m)	4 (1.4)
Voltage in V	240
Frequency in Hz	60
Standard accessories	
Razor-blade scraper	•
Power cord	Yes

KM 5820 240V

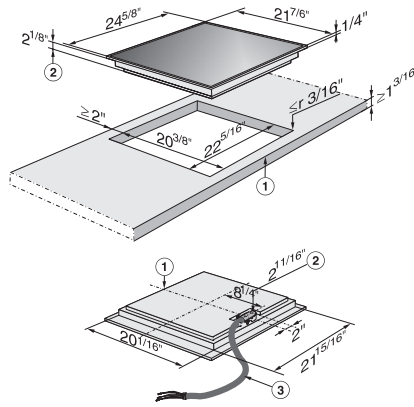
Electric cooktop

With 3 cooking zones for maximum convenience at an attractive entry level price.



KM 5820 (Installation drawing)

1. Front, 2. Building-in depth, 3. Flexible metal hose, L = 1200 mm



KM 5820 (Installation drawing)

1. Front, 2. Building-in depth, 3. Flexible metal hose, L = 47 1/4 inches