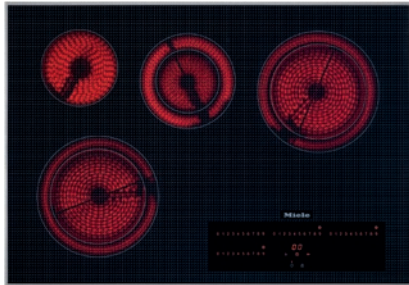


## KM 5840 240V

30-inch electric cooktop, operated with its own controls with direct selection plus including timer for maximum user convenience.



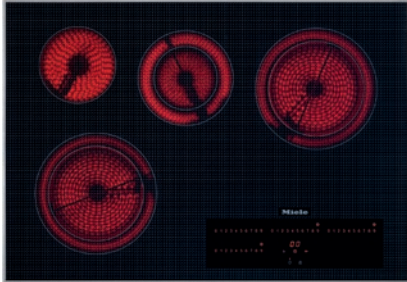
- Quick selection using numerical linear keybanks – Direct control plus
- Attractive design – 30 5/8 (775) in (mm) wide with stainless steel frame
- Very versatile – 4 cooking zones with 2 Vario zones
- Convenient – Auto heat-up for every cooking zone
- Safe – residual heat indicator for every cooking zone

EAN: 4002514866673 / Material number: 07821740 / Old Material Number: 26584050USA

|                                      |                       |
|--------------------------------------|-----------------------|
| <b>Heating type</b>                  |                       |
| Fuel type                            | Electric              |
| <b>Design</b>                        |                       |
| Independent of oven                  | •                     |
| <b>Design</b>                        |                       |
| Elegant glass ceramic surface        | •                     |
| Surface-mounted/flush-fit            | –/–                   |
| Ceramic surface color                | Black                 |
| Print design                         | Basalt grey decor     |
| All-round stainless-steel frame      | •                     |
| Proud installation                   | •                     |
| <b>Cooking zone details</b>          |                       |
| No. of rings                         | 4                     |
| <b>1st cooking zone/cooking area</b> |                       |
| Position                             | front left            |
| Type                                 | Variable cooking zone |
| Size in mm                           | Ø 180 / Ø 230         |
| Max. rating in W                     | 1600/2500             |
| <b>2nd cooking zone/cooking area</b> |                       |
| Position                             | rear left             |
| Type                                 | Single-circuit ring   |
| Size in mm                           | Ø 145                 |
| Max. rating in W                     | 1200                  |
| <b>3rd cooking zone/cooking area</b> |                       |
| Position                             | rear center           |
| Type                                 | Variable cooking zone |
| Size in mm                           | Ø 120 / Ø 180         |
| Max. rating in W                     | 700/1800              |
| <b>4th cooking zone/cooking area</b> |                       |
| Position                             | front right           |
| Type                                 | Variable cooking zone |
| Size in mm                           | Ø 180 / Ø 230         |
| Max. rating in W                     | 1600/2500             |
| <b>User convenience</b>              |                       |
| Operation via touchpad sensors       | Direct Control Plus   |
| Extended cooking zone                | •                     |
| Display color                        | Red                   |
| Stop & Go function                   | •                     |
| Minute minder                        | •                     |
| Automatic switch-off for all rings   | •                     |
| AutoBoost                            | •                     |
| <b>Cleaning convenience</b>          |                       |
| Easy to clean ceramic glass          | •                     |
| <b>Safety</b>                        |                       |
| Safety cut-out                       | •                     |
| Lock function                        | •                     |
| System lock                          | •                     |
| Overheating protection               | •                     |

KM 5840 240V

30-inch electric cooktop, operated with its own controls  
with direct selection plus including timer for maximum user convenience.



EAN: 4002514866673 / Material number: 07821740 /  
Old Material Number: 26584050USA

Residual heat indicator

•

#### Technical data

Dimensions (H x W x D) in inches (mm)

Dimensions (width) in in. (mm) 30 5/8 (775)

Dimensions (height) in in. (mm) 2 1/2 (62)

Dimensions in mm (depth) 21 1/2 (544)

Cutout dimensions (width) in in. (mm) 28 5/8 in (724 mm)

Cutout dimensions (depth) in in. (mm) 20 1/2 in (518 mm)

Casing height incl. connection box in mm 2 3/4 (67)

Weight in lbs. (kg) 35 (16)

Total connected load in kW 8.00

Power cord length in in. (m) 4 (1.4)

Voltage in V 240

Frequency in Hz 60

#### Standard accessories

Razor-blade scraper

•

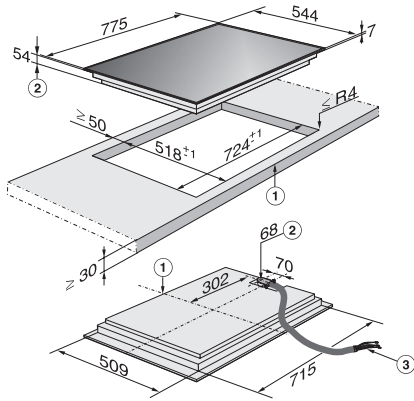
Power cord

Yes

## KM 5840 240V

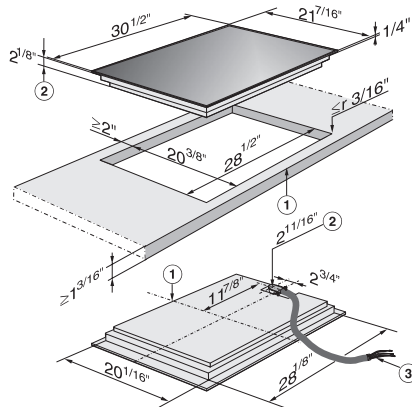
30-inch electric cooktop, operated with its own controls

with direct selection plus including timer for maximum user convenience.



KM 5840 (Installation drawing)

1. Front, 2. Building-in depth, 3. Flexible metal hose, L = 1200 mm



KM 5840 (Installation drawing)

1. Front, 2. Building-in depth, 3. Flexible metal hose, L = 47 1/4 inches