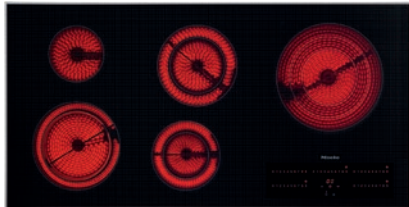


## KM 5880 240V

42-inch electric cooktop, operated with its own controls  
in maximum width for the best possible cooking and user convenience.



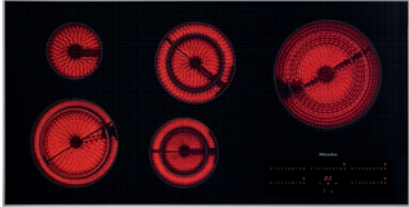
- Quick selection using numerical linear keybanks – Direct control plus
- Attractive design – 42 5/8 (1080) in (mm) wide with stainless steel frame
- Versatile – 5 cooking zones
- Convenient – Auto heat-up for every cooking zone
- Safe – residual heat indicator for every cooking zone

EAN: 4002514866710 / Material number: 07821780 /  
Old Material Number: 26588050USA

<b>Heating type</b>	
Fuel type	Electric
<b>Design</b>	
Independent of oven	•
<b>Design</b>	
Elegant glass ceramic surface	•
Ceramic surface color	Black
All-round stainless-steel frame	•
Print design	Basalt grey decor
Proud installation	•
<b>Cooking zone details</b>	
No. of rings	5
Number of cooking zones/cooking areas	–/–
<b>1st cooking zone/cooking area</b>	
Position	front left
Type	Variable cooking zone
Size in mm	Ø 180 / Ø 230
Max. rating in W	1600/2500
<b>2nd cooking zone/cooking area</b>	
Position	rear left
Type	Single-circuit ring
Size in mm	Ø 145
Max. rating in W	1200
<b>3rd cooking zone/cooking area</b>	
Position	rear center
Type	Triple-circuit ring
Size in mm	Ø 145 / Ø 210
Max. rating in W	1100/2400
<b>4th cooking zone/cooking area</b>	
Position	rear right
Type	Triple-circuit ring
Size in mm	Ø 145 / Ø 210 / Ø 270
Max. rating in W	1100/2150/3100
<b>5th cooking zone/cooking area</b>	
Position	front center
Type	Variable cooking zone
Size in mm	Ø 120 / Ø 180
Max. rating in W	700/1800
<b>User convenience</b>	
Operation via touchpad sensors	Direct Control Plus
Extended cooking zone	•
Display color	Red
Stop & Go function	•
Minute minder	•
Automatic switch-off for all rings	•
AutoBoost	•
<b>Cleaning convenience</b>	
Easy to clean ceramic glass	•

KM 5880 240V

42-inch electric cooktop, operated with its own controls  
in maximum width for the best possible cooking and user convenience.



EAN: 4002514866710 / Material number: 07821780 /  
Old Material Number: 26588050USA

#### Safety

Safety cut-out	•
Lock function	•
System lock	•
Overheating protection	•
Residual heat indicator	•

#### Technical data

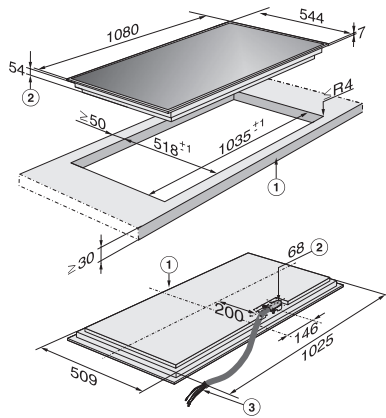
Dimensions (H x W x D) in mm	2 1/2 (62) x 42 5/8 (1080) x 21 1/2 (544)
Dimensions (width) in in. (mm)	42 5/8 (1080)
Dimensions (height) in in. (mm)	2 1/2 (62)
Depth in in. (mm)	21 1/2 (544)
Built-in height with mains connection box in in. (mm)	2 3/4 (67)
Number of phases	1
Cutout dimensions (width) in in. (mm)	40 3/4 in (1035 mm)
Cutout dimensions (depth) in in. (mm)	20 1/2 in (518 mm)
Weight in lbs. (kg)	46 (21)
Total connected load in kW	11.00
Power cord length in in. (m)	4 (1.4)
Voltage in V	240
Frequency in Hz	60
Neutral conductor	Yes

#### Standard accessories

Razor-blade scraper	•
Power cord	Yes

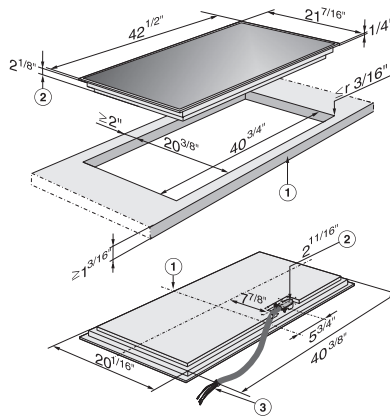
## KM 5880 240V

42-inch electric cooktop, operated with its own controls  
in maximum width for the best possible cooking and user convenience.



KM 5880 (Installation drawing)

1. Front, 2. Building-in depth, 3. Flexible metal hose, L = 1200 mm



KM 5880 (Installation drawing)

1. Front, 2. Building-in depth, 3. Flexible metal hose, L = 47 1/4"