

KM 6377

Induction Cooktop

in maximum width for the best possible cooking and user convenience.



- Quick selection using numerical linear keybanks – Direct control plus
- Attractive design – 42 5/8 (1080) in (mm) wide with stainless steel frame
- Versatile and fast – 4 cooking zones incl. 2 PowerFlex areas
- Communication with the ventilation hood – automatic Con@ctivity function
- Broad performance spectrum – keep warm function and TwinBoost

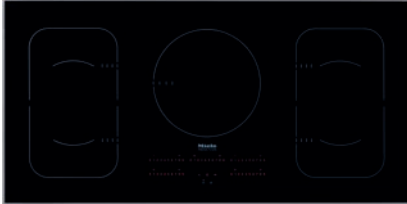
EAN: 4002515472798 / Material number: 09775930 / Old Material Number: 26637752USA

<b>Heating type</b>	
Fuel type	Induction
<b>Design</b>	
Independent of oven	•
<b>Design</b>	
Elegant glass ceramic surface	•
Ceramic surface colour	Black
Stainless steel frame	•
Print design	LightPrint
Proud installation	•
<b>Cooking zone details</b>	
No. of rings	5
<b>PowerFlex cooking zones</b>	
No.	4
Diameter in inches	Ø 150 – 230
Power in W	2200
Booster in W	3100
TwinBooster in W	3850
<b>1st cooking zone/cooking area</b>	
Position	left center
Type	PowerFlex bridge
Size in mm	230x390
Max. rating in W	3550
<b>2nd cooking zone/cooking area</b>	
Position	Centered
Type	Variable cooking zone
Size in mm	Ø 180-280
Max. Booster power rating in W	3100
Max. rating in W	2500
<b>3rd cooking zone/cooking area</b>	
Position	right
Type	PowerFlex bridge
Size in mm	230x390
Max. Booster power rating in W	5000
Max. rating in W	3550
Max. TwinBooster power rating in W	7700
<b>User convenience</b>	
Operation via sensor controls	Multiple direct dial
Automatic function	Con@ctivity 2.0
Pan and pan size recognition	•
Display colour	Red
Auto heat-up	•
Keeping warm	•
Stop & Go function	•
Safety switch-off	•
Minute minder	•
<b>Cleaning convenience</b>	
Easy to clean ceramic glass	•
<b>Safety</b>	
Safety cut-out	•

KM 6377

Induction Cooktop

in maximum width for the best possible cooking and user convenience.



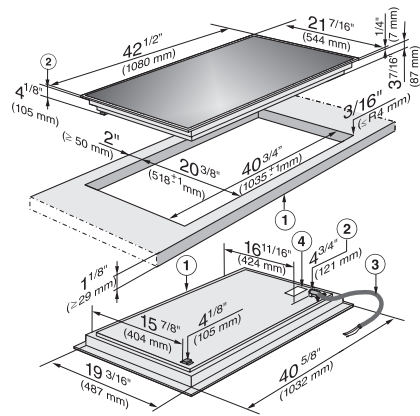
EAN: 4002515472798 / Material number: 09775930 / Old Material Number: 26637752USA

Lock function	•
System lock	•
Integrated cooling blower	•
Overheating protection	•
Residual heat indicator	•
<b>Technical data</b>	
Dimensions (width) in in. (mm)	42 5/8 (1080)
Dimensions (height) in in. (mm)	5 1/8 (128)
Dimensions in mm (depth)	21 1/2 (544)
Cutout dimensions (width) in in. (mm)	40 3/4 (1035)
Cutout dimensions (depth) in in. (mm)	20 1/2 (518)
Casing height incl. connection box in mm	4 7/8 (121)
Weight in lbs. (kg)	66 (30)
Total connected load in kW	11.50
Power cord length in in. (m)	3 (1.2)
Voltage in V	240
Frequency in Hz	60
<b>Standard accessories</b>	
Power cord	Yes

KM 6377

Induction Cooktop

in maximum width for the best possible cooking and user convenience.



KM 6377 (Installation drawing)

1) Front, 2) Casing depth, 3) Flexible metal Extension hose  
L = 47 1/4" (1200 mm), 4) Data plate