

KWT 2602 SF
MasterCool Wine Conditioning Unit
For high-end design and technology on a large scale.



- Push2open for convenient door-opening assistance
- Various wines at the perfect temperature – 3 temperature zones
- Flexible storage of large wine bottles thanks to FlexiFrame
- Light floods the interior thanks to LED elements – BrilliantLight
- Communication with the machine could not be easier – WiFi Connect

EAN: 4002516322962 / Material number: 11503620 /
Old Material Number: 36260215USA

General information	
Model number	KWT 2602 SF
Manufacturer material number	11503620
EAN number	4002516322962
Appliance category	
Wine storage unit	•
Design	
Built-in	•
Built-in integrated	•
Door hinge side	right
Convertible hinging	•
Can be installed side-by-side	•
Design	
Front color	Stainless steel/CleanSteel
Lighting	BrilliantLight
User convenience	
Networking with Miele@home	•
Electronic temperature display and control	MasterSensor
Sabbath mode	•
DynaCool	•
SoftClose door closing damper	•
Push2open	•
MaxLoad hinge	•
Number of FlexiFrame wooden racks	13
Wire Rack material	Beechwood
NoteBoard	•
Control	
No. of temperature zones	3
Min. temperature setting range in °F (°C)	5
Safety	
Lock function	•
Acoustic door alarm	•
Acoustic temperature alarm	•
Optical door alarm	•
Optical temperature alarm	•
Technical data	
Niche width in inches (mm), min.	24 1/8 (610)
Niche width in inches (mm), max.	24 1/8 (610)
Niche height in inches (mm), min.	84 1/8 (2134)
Niche height in inches (mm), max.	84 1/8 (2134)
Niche depth in in.(mm)	24 1/8 (610)
Weight in lbs.(kg)	360 (163.0)
Type of mounting	Fixed door
Wine compartment in L	13.38 (379)
Pantry compartment in l	379
Total usable capacity in cu. ft. (l)	13.38 (379)
0.75 l Bordeaux bottle capacity (no. of bottles)	104 bottles
Current consumption in milliampere (mA)	4000

KWT 2602 SF

MasterCool Wine Conditioning Unit

For high-end design and technology on a large scale.



EAN: 4002516322962 / Material number: 11503620 /
Old Material Number: 36260215USA

Voltage in V	110-120
Fuse rating in A	10
Number of phases	1
Frequency in Hz	60
Wire length in ft (m)	9 (3.0)

Standard accessories

ContourLine handle

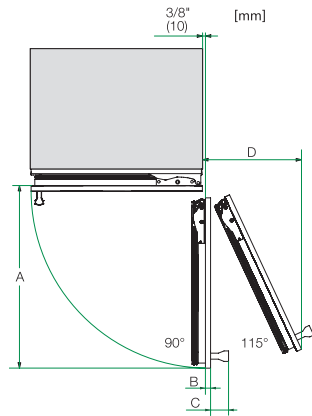
•

Available display languages

Available display languages via MultiLingua

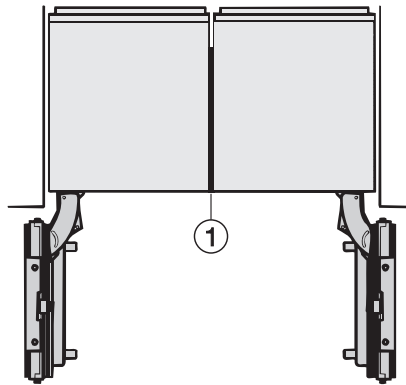
[?][?][?][?][?][?][?][?], [?]
 [?], [?][?][?][?], deutsch,
 dansk, english, english
 (AU), english (CA), english
 (GB), english (US), eesti,
 suomi, français, français
 (CA), français (FR),
 ελληνικά, italiano, [?][?]
 [?], [?][?][?], hrvatski,
 latviesu, lietuviu, bahasa
 malaysia, nederlands, norsk,
 polski, português, română,
 русский, svenska, srpski,
 slovenčina, slovenščina,
 español, čeština, türkçe,
 українська, magyar

KWT 2602 SF MasterCool Wine Conditioning Unit For high-end design and technology on a large scale.



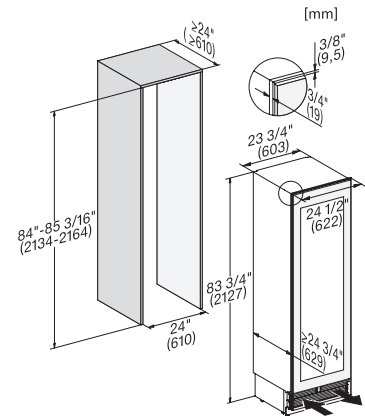
Opening angle 90°/115°, right side stop, MasterCool (Sketch) *footnote

A) Appliance door width, K 2601 Vi, K 2601 SF, KWT 2601 Vi, KWT 2601 SF, KWT 2661 ViS, KWT 2661 SFS: 677 mm (26 2/3 inch), K 2602 Vi, K 2602 SF, KWT 2602 Vi, KWT 2602 SF, KWT 2662 ViS, KWT 2662 SFS: 677 mm (26 2/3 inch), K 2801 Vi, K 2801 SF, KF 2801 Vi, KF 2801 SF: 829 mm (32 2/3 inch), K 2802 Vi, K 2802 SF, KF 2802 Vi, KF 2802 SF: 829 mm (32 2/3 inch), K 2901 Vi, K 2901 SF, KF 2901 Vi, KF 2901 SF: 982 mm (38 2/3 inch), K 2902 Vi, K 2902 SF, KF 2902 Vi, KF 2902 SF: 982 mm (38 2/3 inch); B) Furniture front (max. 38 mm) (1 1/2 inch), C) Door handle, D) Distance door to wall (without furniture front and door handle): K 2601 Vi, K 2601 SF, KWT 2601 Vi, KWT 2601 SF, KWT 2661 ViS, KWT 2661 SFS: 296 mm (11 2/3 inch), K 2602 Vi, K 2602 SF, KWT 2602 Vi, KWT 2602 SF, KWT 2662 ViS, KWT 2662 SFS: 296 mm (11 2/3 inch), K 2801 Vi, K 2801 SF, KF 2801 Vi, KF 2801 SF: 363 mm (14 1/3 inch), K 2802 Vi, K 2802 SF, KF 2802 Vi, KF 2802 SF: 363 mm (14 1/3 inch), K 2901 Vi, K 2901 SF, KF 2901 Vi, KF 2901 SF: 428 mm (16 7/8 inch), K 2902 Vi, K 2902 SF, KF 2902 Vi, KF 2902 SF: 428 mm (16 7/8 inch), E) ONLY valid for SF versions: A + 25 mm (1 inch)

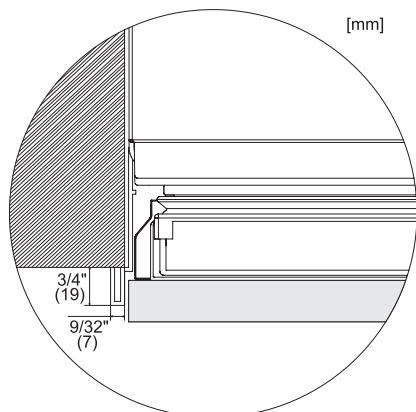


Side-by-side, MasterCool, without partition wall, with heating mat (Sketch) (with footnote)

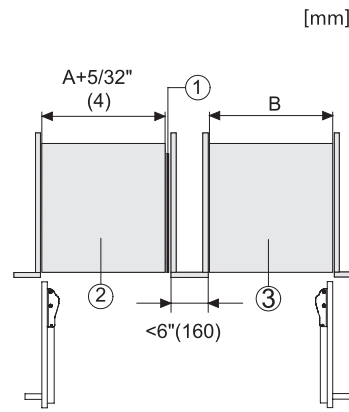
1) Heating mat KSK 2001 (EU, AUS, CN) or KSK 2002 (US, CA, MX, BR)



KWT2602SF, KWT2612SF, KWT2662SFS, KWT2601SF, KWT2611SF, KWT2661SFS, installation, MasterCool (US, CA)

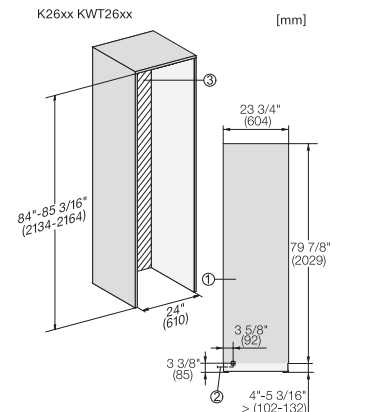


MasterCool, top view, doorway, installation drawings



Side-by-Side, MasterCool, footnote, installation drawings

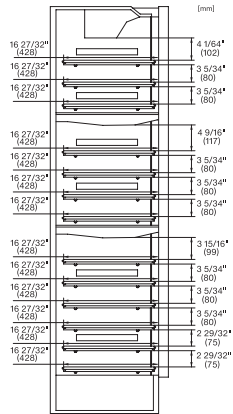
1. KSK 2001/2002, 2. Device A, 3. Device B, A = niche device A, B = niche device B



Installation, MasterCool, *footnote, installation drawings

1. View from the front, 2. Mains connection cable, L = 3000 mm (118 inch), 3. No water/ELT connections permitted in this area

KWT 2602 SF
 MasterCool Wine Conditioning Unit
 For high-end design and technology on a large scale.



KWT2602Vi/SF, KWT2612Vi/SF, KWT2601Vi/SF,
 KWT2611Vi/SF, inner space, MasterCool, installation
 drawings