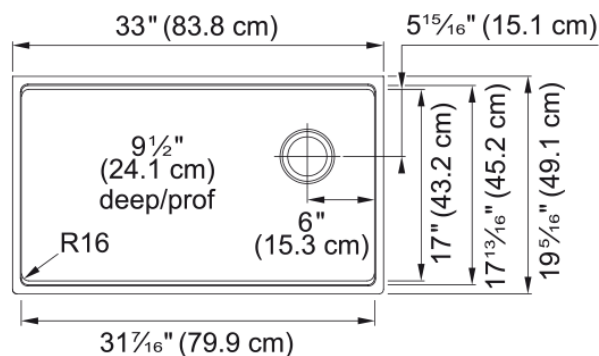


Maris Undermount Sink - MAG110310W-OYS | 125.0637.080



33-in. x 19.3-in. Oyster Fraganite Undermount Single Bowl Kitchen Sink. Large capacity 9 1/2" deep bowl provides a generous workspace for dishes and large cookware. The accessory rail system supports optional accessories and turns the sink into a functional workstation. Scratch resistant, fade resistant and impact resistant to retain its new appearance for years. The rear offset drain maximizes the usable surface of the bowl and creates extra cabinet space beneath the sink.

Aspect

| | |
|------------------|---------|
| Sink type | Sink |
| Type of material | Granite |
| Number of bowls | 1 |
| Color | Oyster |
| Surface finish | None |

Product Dimensions

| | |
|--------------------------------|--------|
| Length (right to left) | 33.004 |
| Width (front to back) | 19.335 |
| Large bowl size: right to left | 31.457 |
| Large bowl size: front to back | 17.035 |
| Large bowl: depth | 9.496 |

Installation

| | |
|----------------------|-----|
| Minimum cabinet size | 36" |
|----------------------|-----|

Product specifications

| | |
|---------------------|------------|
| Installation type | Undermount |
| Drain hole | 3 1/2" |
| Position of drainer | No drainer |

Product identification

| | |
|----------------|--------|
| Product brand | FRANKE |
| Product family | Maris |
| Collection | Maris |
| Certified by | cUPC |

Features

| | |
|-----------------------|------------|
| Drainers number | No drainer |
| Product reversibility | No |
| Faucet ledge | No |

| | |
|----------------------------|----------------|
| Strainer assembly included | No |
| Strainer Assembly | No waste kit |
| Overflow | No |
| Number of faucet holes | No faucet hole |
| Soap dispenser hole | No |