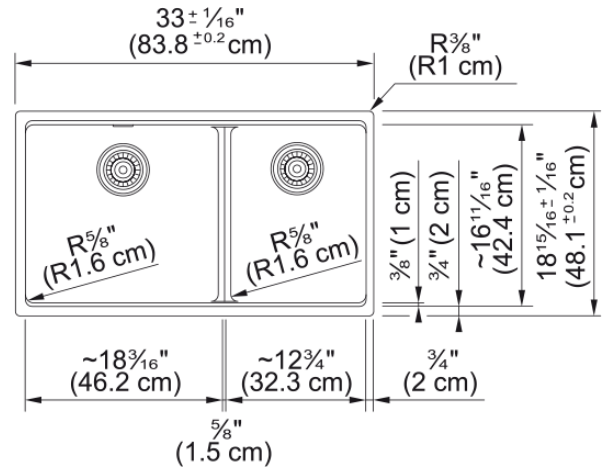


Maris Workcenter MAG1601812LD-MBK-WKC | 125.0721.528



33.0-in. x 18.94- in. Undermount Fraganite Double Bowl Low-Divide Workcenter Kitchen Sink in Matte Black. Hardworking and well equipped, the Maris Fraganite workcenter sink has everything you need to create a multi-functional workspace in your kitchen. Optimize every inch of your sink with accessories to wash food, chop, prep, clean up, dry dishes, and more. The double bowl design allows you to multi-task with ease, while the low divide creates a larger single bowl perfect for cleaning oversized cookware and bakeware. Made from Fraganite, a tough material highly resistant to burns, dents, chips, and stains, this workcenter sink is a perfect choice for busy family homes. ACCESSORIES INCLUDED: Bottom Grids, Cutting Board, Colander and Strainer Baskets

Aspect

| | |
|------------------|-------------|
| Sink type | Sink |
| Type of material | Fraganite |
| Number of bowls | 2 |
| Product color | Matte black |
| Surface finish | None |

Product Dimensions

| | |
|--------------------------------|--------|
| Length (right to left) | 32.992 |
| Width (front to back) | 18.937 |
| Large bowl size: right to left | 18.15 |
| Large bowl size: front to back | 16.614 |
| Large bowl: depth | 9.488 |
| Small bowl size: right to left | 12.756 |
| Small bowl size: front to back | 16.614 |
| Small bowl: depth | 9.488 |

Installation

| | |
|----------------------|-----|
| Minimum cabinet size | 36" |
|----------------------|-----|

Product specifications

| | |
|----------------------------|------------|
| Installation type | Undermount |
| Drain hole | 3 1/2" |
| Position of drainer | No drainer |
| Active Twist Compatibility | No |
| Installation device | U Clips |
| Installation device | Clamp Bag |

Product identification

| | |
|----------------------------|----------------|
| Brand | FRANKE |
| Product family | Maris |
| Collection | Maris |
| Certified by | IAPMO |
| Features | |
| Drainers number | No drainer |
| Product reversibility | No |
| Faucet ledge | No |
| Strainer assembly included | Yes |
| Strainer Assembly | Manual |
| Overflow | No |
| Number of faucet holes | No faucet hole |
| Soap dispenser hole | No |