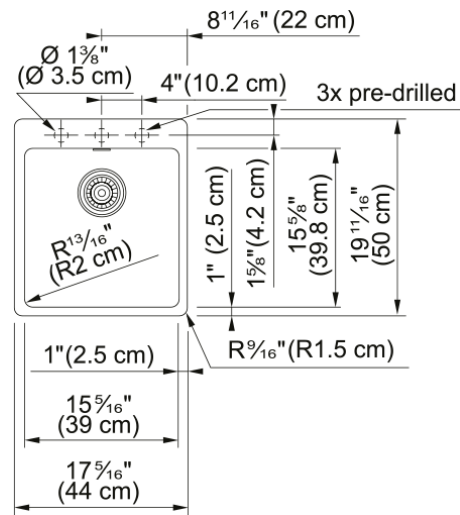


Maris Dual Mount Sink - MAG61015-MBK | 114.0687.058



17.31-in. x 19.69-in. Matte Black Fraganite Single Bowl Bar / Prep Sink. Beautiful and durable, this Maris sink is the perfect size for a bar or prep sink. The rear drain maximizes the usable surface of the bowl and creates extra cabinet space beneath the sink. Maris Fraganite sinks are scratch-resistant, fade-resistant, and impact resistant and will retain their new appearance for years.

Aspect

Sink type	Sink
Type of material	Granite
Number of bowls	1
Color	Matte black
Surface finish	None

Product Dimensions

Length (right to left)	17.323
Width (front to back)	19.685
Large bowl size: right to left	15.354
Large bowl size: front to back	15.748
Large bowl: depth	7.874

Installation

Minimum cabinet size	21"
----------------------	-----

Product specifications

Installation type	Topmount / drop in
Installation type	Undermount
Drain hole	3 1/2"
Position of drainer	No drainer

Product identification

Product brand	FRANKE
Product family	Maris
Collection	Maris
Certified by	IAPMO

Features

Drainers number	No drainer
Product reversibility	No

Faucet ledge	Yes
Strainer assembly included	No
Strainer Assembly	No waste kit
Overflow	No
Number of faucet holes	3 - pre-scored
Soap dispenser hole	No