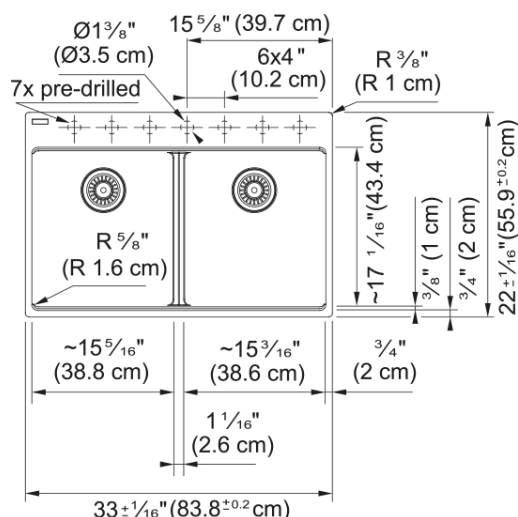


## Maris Topmount Sink - MAG6201515-OYS | 114.0686.998



33.0-in. x 22.0-in. Oyster Fraganite Double Bowl Kitchen Sink. Maris sinks are equipped with deep capacity bowls that can easily fit baking trays, pots, and pans to be washed with maximum ease. With our easy-to-use integrated ledge system, you'll accomplish more with your sink while making the most of your surrounding counter space. The rear drain maximizes the usable surface of the bowl and creates extra cabinet space beneath the sink. Maris Fraganite sinks are scratch-resistant, fade-resistant, and impact resistant and will retain their new appearance for years.

### Aspect

|                  |         |
|------------------|---------|
| Sink type        | Sink    |
| Type of material | Granite |
| Number of bowls  | 2       |
| Color            | Oyster  |
| Surface finish   | None    |

### Product Dimensions

|                                |        |
|--------------------------------|--------|
| Length (right to left)         | 32.992 |
| Width (front to back)          | 22.008 |
| Large bowl size: right to left | 15.252 |
| Large bowl size: front to back | 16.732 |
| Large bowl: depth              | 9.488  |
| Small bowl size: right to left | 15.252 |
| Small bowl size: front to back | 16.732 |
| Small bowl: depth              | 9.488  |

### Installation

|                      |     |
|----------------------|-----|
| Minimum cabinet size | 36" |
|----------------------|-----|

### Product specifications

|                     |                    |
|---------------------|--------------------|
| Installation type   | Topmount / drop in |
| Drain hole          | 3 1/2"             |
| Position of drainer | No drainer         |

### Product identification

|                |        |
|----------------|--------|
| Product brand  | FRANKE |
| Product family | Maris  |
| Collection     | Maris  |
| Certified by   | IAPMO  |

## Features

|                            |                |
|----------------------------|----------------|
| Drainers number            | No drainer     |
| Product reversibility      | No             |
| Faucet ledge               | Yes            |
| Strainer assembly included | No             |
| Strainer Assembly          | No waste kit   |
| Overflow                   | No             |
| Number of faucet holes     | 7 - pre-scored |
| Soap dispenser hole        | No             |