

PORTABLE AIR CONDITIONER

USER MANUAL

MODEL NUMBER
MAP06S1AWGR-T



SmartHome
Download the app
& activate product

Before using this product, please read this manual carefully and keep it for future reference.

The design and specifications are subject to change without prior notice for product improvement. Consult with your dealer or the manufacturer for details.

THANK YOU LETTER

Thank you for choosing Midea! Before using your new Midea product, please read this manual thoroughly to ensure that you know how to operate the features and functions that your new appliance offers in a safe way.

OWNER'S MANUAL

Safety Precautions	03
Before you get start	13
Product overview	16
Installation overview	17
Installation accessories	18
Get to know your AC	24
Drainage guide	26
Cleaning & maintenance	27
Store the unit when not in use	28
Troubleshooting	29
Remote control and App instructions	30
Warranty	47
Return policy	48

Read This Manual

Inside you'll find many helpful hints on how to use and maintain your air conditioner properly. Just a little preventive care on your part can save you a great deal of time and money over the life of your air conditioner. You'll find many answers to common problems in the troubleshooting tips - you should be able to fix most of them quickly before calling service. These instructions may not cover every possible condition of use, so common sense and attention to safety is required when installing, operating and maintaining this product.



CAUTION

- For support, please call the Service Center at 1-866-646-4332.
- This appliance is not intended for use by people (including children) with reduced physical, sensory or mental capabilities or lack of experience and knowledge, unless they have been given supervision or instruction concerning use of the appliance by a person responsible for their safety.
- Children should be supervised to ensure that they do not play with the air conditioner.
- The appliance shall be installed in accordance with national wiring regulations.
- Do not operate your air conditioner in a humid room such as a bathroom or laundry room.

Safety Precautions

Must read the warning message.

Read Safety Precautions Before Operation and Installation

To prevent death or injury to the user or other people and property damage, the following instructions must be followed.

Incorrect operation due to ignoring of instructions may cause death, harm or damage.

Explanation of Symbols



WARNING

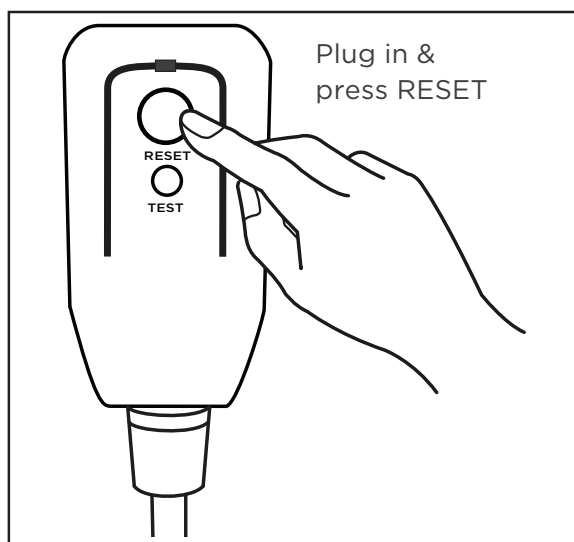
This symbol indicates the possibility of personnel injury or loss of life.



CAUTION

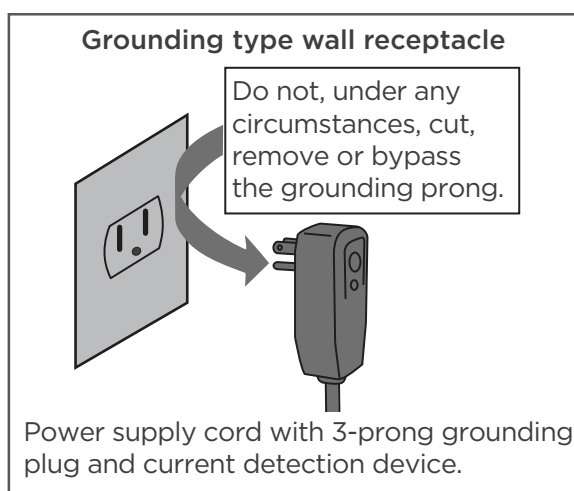
This symbol indicates the possibility of property damage or serious consequences.

Operation of Current Device



The power supply cord contains a measurement current device that senses damage to the power cord. Test your power supply cord as follows:

1. Plug in the air conditioner.
2. The power supply cord will have TWO buttons on the plug head. Press the TEST button. You will notice a click as the RESET button pops out.
3. Press the RESET Button. You will notice a click as the button engages.
4. The power supply cord is now supplying electricity to the unit. (On some products this is also indicated by a light on the plug head.)



NOTICE

The power supply cord with this air conditioner contains a current detection device designed to reduce the risk of fire.

In the event that the power supply cord is damaged, it can not be repaired. It must be replaced with a cord from the manufacturer.

NOTICE

- Do not use this device to turn the unit on or off.
- Always make sure the RESET button is pushed in for correct operation.
- The power supply must be replaced if it fails to reset when either the TEST button is pushed, or it can not be reset. Please contact Customer Service.

WARNING

- Installation must be performed according to the installation instructions. Improper installation can cause water leakage, electrical shock, or fire.
- Use only the included accessories and parts, and specified tools for the installation. Using nonstandard parts can cause water leakage, electrical shock, fire, and injury or property damage.
- Make sure that the outlet you are using is grounded and has the appropriate voltage. The power cord is equipped with a three-prong grounding plug to protect against shock. Voltage information can be found on the nameplate of the unit.
- Your unit must be used in a properly grounded wall receptacle. If the wall receptacle you intend to use is not adequately grounded or protected by a time delay fuse or circuit breaker (the fuse or circuit breaker needed is determined by the maximum current of the unit. The maximum current is indicated on the nameplate located on unit), have a qualified electrician install the proper receptacle.
- Do not touch the unit with wet or damp hands or when barefoot.
- If the air conditioner is knocked over during use, turn off the unit and unplug it from the main power supply immediately. Visually inspect the unit to ensure there is no damage. If you suspect the unit has been damaged, contact a technician or customer service for assistance.
- In a thunderstorm, the power must be cut off to avoid damage to the machine due to lightning.
- Your air conditioner should be used in such a way that it is protected from moisture. e.g. condensation, splashed water, etc. Do not place or store your air conditioner where it can fall or be pulled into water or any other liquid. Unplug immediately if it occurs.
- Install the unit on a flat, sturdy surface. Failure to do so could result in damage or excessive noise and vibration.
- The unit must be kept free from obstruction to ensure proper function and to mitigate safety hazards.
- Do not modify the length of the power cord or use an extension cord to power the unit.
- Do not share a single outlet with other electrical appliances. Improper power supply can cause fire or electrical shock.
- Do not install your air conditioner in a wet room such as a bathroom or laundry room. Too much exposure to water can cause electrical components to short circuit.
- Do not install the unit in a location that may be exposed to combustible gas, as this could cause fire.
- The unit has wheels to facilitate moving. Make sure not to use the wheels on thick carpet or to roll over objects, as these could cause tipping.
- Do not operate a unit that it has been dropped or damaged.
- The appliance with electric heater shall have at least 1 meter space to the combustible materials.
- All wiring must be performed strictly in accordance with the wiring diagram located inside of the unit.
- The unit's circuit board (PCB) is designed with a fuse to provide overcurrent protection. The specifications of the fuse are printed on the circuit board, such as: T 3.15A/250V, etc.

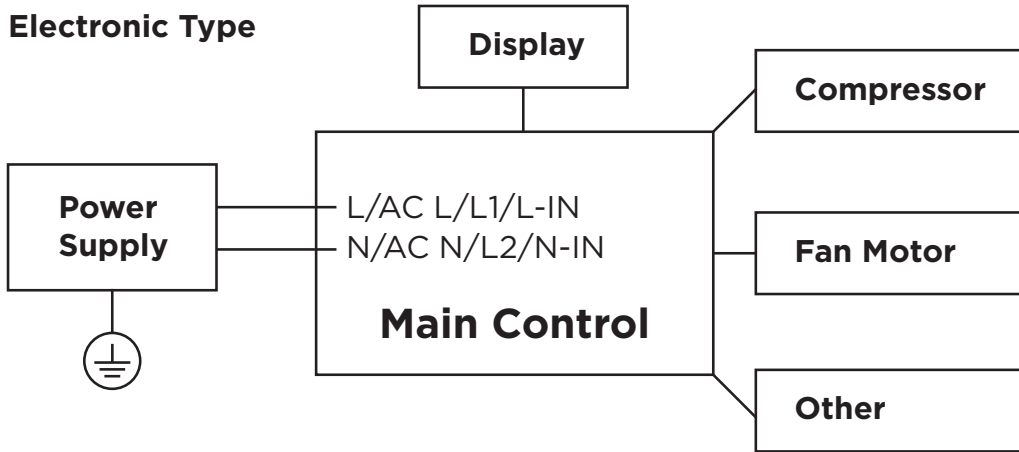
CAUTION

- This appliance is not intended for use by persons (including children) with reduced physical, sensory or mental capabilities or lack of experience and knowledge, unless they have been given supervision or instruction concerning use of the appliance by a person responsible for their safety. Children should be supervised to ensure that they do not play with the appliance. Children must be supervised around the unit at all times.
- If the supply cord is damaged, it must be replaced by the manufacturer, its service agent or similarly qualified persons in order to avoid a hazard.
- Do not use this product for functions other than those described in this instruction manual.
- Before cleaning, turn off the power and unplug the unit.
- Disconnect the power if strange sounds, smell, or smoke comes from it.
- Do not press the buttons on the control panel with anything other than your fingers.
- Do not remove any fixed covers. Never use this appliance if it is not working properly, or if it has been dropped or damaged.
- Do not operate or stop the unit by inserting or pulling out the power cord plug.
- Do not use hazardous chemicals to clean or come into contact with the unit. Do not use the unit in the presence of inflammable substances or vapour such as alcohol, insecticides, petrol, etc.
- Prior to cleaning or other maintenance, the appliance must be disconnected from the supply mains.
- Do not remove any fixed covers. Never use this appliance if it is not working properly, or if it has been dropped or damaged.
- Do not run cord under carpeting. Do not cover cord with throw rugs, runners, or similar coverings. Do not route cord under furniture or appliances. Arrange cord away from traffic area and where it will not be tripped over.
- Do not operate unit with a damaged cord, plug, power fuse or circuit breaker. Discard unit or return to an authorized service facility for examination and/or repair.
- To reduce the risk of fire or electric shock, do not use this fan with any solid-state speed control device.
- The appliance shall be installed in accordance with national wiring regulations.
- Contact the authorized service technician for repair or maintenance of this unit.
- Do not cover or obstruct the inlet or outlet grilles.
- Always transport your air conditioner in a vertical position and stand on a stable, level surface during use.
- Always contact a qualified person to carry out repairs. If the damaged power supply cord must be replaced with a new power supply cord obtained from the product manufacturer and not repaired.
- Hold the plug by the head of the power plug when taking it out.
- Turn off the product when not in use.

Electronic Work



WARNING:
BEFORE PERFORMING ANY ELECTRICAL OR WIRING WORK,
TURN OFF THE MAIN POWER TO THE SYSTEM.



CAUTION:
Risk of fire
flammable materials

IMPORTANT NOTE: Read this manual carefully before installing or operating your new appliance unit. Make sure to save this manual for future reference.

Explanation of symbols displayed on the unit

	CAUTION	This symbol shows that the operation manual should be read carefully.
	CAUTION	This symbol shows that a service personnel should be handling this equipment with reference to the installation manual.
	CAUTION	This symbol shows that information is available such as the operating manual or installation manual.

WARNING:

- Servicing shall only be performed as recommended by the equipment manufacturer. Maintenance and repair requiring the assistance of other skilled personnel shall be carried out under the supervision of the person competent in the use of flammable refrigerants.
- DO NOT modify the length of the power cord or use an extension cord to power the unit.
- DO NOT share a single outlet with other electrical appliances. Improper power supply can cause fire or electrical shock.
- Please follow the instruction carefully to handle, install, clear, service the appliance to avoid any damage or hazard.

Flammable Refrigerant R32 is used within appliance.

- When maintaining or disposing the appliance, the refrigerant (R32) shall be recovered properly, shall not discharge to air directly.
- Compliance with national gas regulations shall be observed.
- Keep ventilation openings clear of obstruction.
- The appliance shall be stored so as to prevent mechanical damage from occurring.
- A warning that the appliance shall be stored in a well-ventilated area where the room size corresponds to the room area as specified for operation.
- Any person who is involved with working on or breaking into a refrigerant circuit should hold a current valid certificate from an industry-accredited assessment authority, which authorises their competence to handle refrigerants safely in accordance with an industry recognised assessment specification. All training shall follow the ANNEX HH requirements of UL 60335-2-40 Edition.

Examples for such working procedures are:

- breaking into the refrigerating circuit;
 - opening of sealed components;
 - opening of ventilated enclosures.
-
- No open fire or device like switch which may generate spark/arc shall be around appliance to avoid causing ignition of the flammable refrigerant used. Please follow the instruction carefully to store or maintain the appliance to prevent mechanical damage from occurring.
 - Do not use means to accelerate the defrosting process or to clean, other than those recommended by the manufacturer.
 - The appliance shall be stored in a room without continuously operating ignition sources (for example: open flames, an operating gas appliance) and ignition sources or (for example: an operating electric heater) close to the appliance. The appliance shall be stored in a room without continuously operating ignition sources (for example: open flames, an operating gas appliance or an operating electric heater).
 - Do not pierce or burn.
 - Be aware that the refrigerants may not contain an odour.

1. Transport of equipment containing flammable refrigerants

See transport regulations.

2. Marking of equipment using signs

See local regulations.

3. Disposal of equipment using flammable refrigerants

See national regulations.

4. Storage of equipment/appliances

The storage of the appliance should be in accordance with the applicable regulations or instructions, whichever is more stringent.

5.Storage of packed (unsold) equipment

Storage package protection should be constructed such that mechanical damage to the equipment inside the package will not cause a leak of the refrigerant charge. The maximum number of pieces of equipment permitted to be stored together will be determined by local regulations.

6.Information on servicing

1)Checks to the area

Prior to beginning work on systems containing flammable refrigerants, safety checks are necessary to ensure that the risk of ignition is minimised. For repair to the refrigerating system, the following precautions shall be complied with prior to conducting work on the system.

2)Work procedure

Work shall be undertaken under a controlled procedure so as to minimise the risk of a flammable gas or vapour being present while the work is being performed.

3)General work area

All maintenance staff and others working in the local area shall be instructed on the nature of work being carried out. Work in confined spaces shall be avoided. The area around the workspace shall be sectioned off. Ensure that the conditions within the area have been made safe by control of flammable material.

4)Checking for presence of refrigerant

The area shall be checked with an appropriate refrigerating detector prior to and during work, to ensure the technician is aware of potentially flammable atmospheres. Ensure that the leak detection equipment being used is suitable for use with flammable refrigerants, i.e. non-sparking, adequately sealed or intrinsically safe.

5)Presence of fire extinguisher

If any hot work is to be conducted on the refrigeration equipment or any associated parts, appropriate fire extinguishing equipment shall be available to hand. Have a dry powder or CO₂ fire extinguisher adjacent to the charging area.

6)No ignition sources

No person carrying out work in relation to a refrigerating system which involves exposing any pipe work that contains or has contained flammable refrigerant shall use any sources of ignition in such a manner that it may lead to the risk of fire or explosion. All possible ignition sources, including cigarette smoking, should be kept sufficiently far away from the site of installation, repairing, removing and disposal, during which flammable refrigerant can possibly be released to the surrounding space. Prior to work taking place, the area around the equipment is to be surveyed to make sure that there are no flammable hazards or ignition risks. No Smoking signs shall be displayed.

7)ventilated area

Ensure that the area is in the open or that it is adequately ventilated before breaking into the system or conducting any hot work. A degree of ventilation shall continue during the period that the work is carried out. The ventilation should safely disperse any released refrigerant and preferably expel it externally into the atmosphere.

8) Checks to the refrigerating equipment

Where electrical components are being changed, they shall be fit for the purpose and to the correct specification. At all times the manufacturer's maintenance and service guidelines shall be followed. If in doubt consult the manufacturer's technical department for assistance. The following checks shall be applied to installations using flammable refrigerants:

The actual refrigerant charge is in accordance with the room size within which the refrigerant containing parts are installed;

The ventilation machinery and outlets are operating adequately and are not obstructed; If an indirect refrigerating circuit is being used, the secondary circuit shall be checked for the presence of refrigerant; Marking to the equipment continues to be visible and legible. Markings and signs that are illegible shall be corrected; Refrigerating pipe or components are installed in a position where they are unlikely to be exposed to any substance which may corrode refrigerant containing components, unless the components are constructed of materials which are inherently resistant to being corroded or are suitably protected against being so corroded.

9) Checks to electrical devices

Repair and maintenance to electrical components shall include initial safety checks and component inspection procedures. If a fault exists that could compromise safety, then no electrical supply shall be connected to the circuit until it is satisfactorily dealt with. If the fault cannot be corrected immediately but it is necessary to continue operation, an adequate temporary solution shall be used. This shall be reported to the owner of the equipment so all parties are advised. Initial safety checks shall include:

That capacitors are discharged: this shall be done in a safe manner to avoid possibility of sparking; That there no live electrical components and wiring are exposed while charging, recovering or purging the system; That there is continuity of earth bonding

7. Sealed electrical components shall be replaced.

8. Intrinsically safe components must be replaced.

9. Cabling

Check that cabling will not be subject to wear, corrosion, excessive pressure, vibration, sharp edges or any other adverse environmental effects. The check shall also take into account the effects of aging or continual vibration from sources such as compressors or fans.

10. Detection of flammable refrigerants

Under no circumstances shall potential sources of ignition be used in the searching for or detection of refrigerant leaks. A halide torch (or any other detector using a naked flame) shall not be used.

The following leak detection methods are deemed acceptable for systems containing flammable refrigerants. Electronic leak detectors shall be used to detect flammable refrigerants, but the sensitivity may not be adequate, or may need re-calibration.

(Detection equipment shall be calibrated in a refrigerant-free area).

Ensure that the detector is not a potential source of ignition and is suitable for the refrigerant used. Leak detection equipment shall be set at a percentage of the LFL of the refrigerant and shall be calibrated to the refrigerant employed and the appropriate percentage of gas (25 % maximum) is confirmed. Leak detection fluids are suitable for use with most refrigerants but the use of detergents containing chlorine shall be avoided as the chlorine may react with the refrigerant and corrode the copper pipe-work.

If a leak is suspected, all naked flames shall be removed/extinguished. If a leakage of refrigerant is found which requires brazing, all of the refrigerant shall be recovered from the system, or isolated (by means of shut of valves) in a part of the system remote from the leak. Removal of refrigerant shall be according to Removal and evacuation.

11. Removal and evacuation

When breaking into the refrigerant circuit to make repairs – or for any other purpose – conventional procedures shall be used.

However, for flammable refrigerants it is important that best practice be followed, since flammability is a consideration. The following procedure shall be adhered to:

- a) safely remove refrigerant following local and national regulations;
- b) purge the circuit with inert gas;
- c) evacuate (optional for A2L);
- d) purge with inert gas (optional for A2L);
- e) open the circuit by cutting or brazing.

The refrigerant charge shall be recovered into the correct recovery cylinders if venting is not allowed by local and national codes. For appliances containing flammable refrigerants, the system shall be purged with oxygen-free nitrogen to render the appliance safe for flammable refrigerants. This process might need to be repeated several times.

Compressed air or oxygen shall not be used for purging refrigerant systems. For appliances containing flammable refrigerants, refrigerants purging shall be achieved by breaking the vacuum in the system with oxygen-free nitrogen and continuing to fill until the working pressure is achieved, then venting to atmosphere, and finally pulling down to a vacuum (optional for A2L). This process shall be repeated until no refrigerant is within the system (optional for A2L). When the final oxygen-free nitrogen charge is used, the system shall be vented down to atmospheric pressure to enable work to take place. Ensure that the outlet for the vacuum pump is not close to any potential ignition sources and that ventilation is available.

12. Charging procedures

In addition to conventional charging procedures, the following requirements shall be followed. Ensure that contamination of different refrigerants does not occur when using charging equipment. Hoses or lines shall be as short as possible to minimise the amount of refrigerant contained in them. Cylinders shall be kept in an appropriate position according to the instructions. Ensure that the refrigeration system is earthed prior to charging the system with refrigerant. Label the system when charging is complete (if not already). Extreme care shall be taken not to overfill the refrigeration system. Prior to recharging the system it shall be pressure tested with OFN. The system shall be leak tested on completion of charging but prior to commissioning. A follow up leak test shall be carried out prior to leaving the site.

13.Decommissioning

Before carrying out this procedure, it is essential that the technician is completely familiar with the equipment and all its detail. It is recommended good practice that all refrigerants are recovered safely. Prior to the task being carried out, an oil and refrigerant sample shall be taken in case analysis is required prior to re-use of reclaimed refrigerant. It is essential that electrical power is available before the task is commenced.

- a) Become familiar with the equipment and its operation.
- b) Isolate system electrically.
- c) Before attempting the procedure ensure that: Mechanical handling equipment is available, if required, for handling refrigerant cylinders;
All personal protective equipment is available and being used correctly; The recovery process is supervised at all times by a competent person; Recovery equipment and cylinders conform to the appropriate standards.
- d) Pump down refrigerant system, if possible.
- e) If a vacuum is not possible, make a manifold so that refrigerant can be removed from various parts of the system.
- f) Make sure that cylinder is situated on the scales before recovery takes place.
- g) Start the recovery machine and operate in accordance with instructions.
- h) Do not overfill cylinders. (No more than 80 % volume liquid charge).
- i) Do not exceed the maximum working pressure of the cylinder, even temporarily.
- j) When the cylinders have been filled correctly and the process completed, make sure that the cylinders and the equipment are removed from site promptly and all isolation valves on the equipment are closed off.
- k) Recovered refrigerant shall not be charged into another refrigeration system unless it has been cleaned and checked.

14.Labelling

Equipment shall be labelled stating that it has been de-commissioned and emptied of refrigerant. The label shall be dated and signed.

Ensure that there are labels on the equipment stating the equipment contains flammable refrigerant.

15.Recovery

When removing refrigerant from a system, either for servicing or decommissioning, it is recommended good practice that all refrigerants are removed safely.

When transferring refrigerant into cylinders, ensure that only appropriate refrigerant recovery cylinders are employed.

Ensure that the correct number of cylinders for holding the total system charge is available. All cylinders to be used are designated for the recovered refrigerant and labelled for that refrigerant (i.e. special cylinders for the recovery of refrigerant). Cylinders shall be complete with pressure relief valve and associated shut-off valves in good working order. Empty recovery cylinders are evacuated and, if possible, cooled before recovery occurs. The recovery equipment shall be in good working order with a set of instructions concerning the equipment that is at hand and shall be suitable for the recovery of flammable refrigerants. In addition, a set of calibrated weighing scales shall be available and in good working order. Hoses shall be complete with leak-free disconnect couplings and in good condition.

Before using the recovery machine, check that it is in satisfactory working order, has been properly maintained and that any associated electrical components are sealed to prevent ignition in the event of a refrigerant release. Consult manufacturer if in doubt. The recovered refrigerant shall be returned to the refrigerant supplier in the correct recovery cylinder, and the relevant Waste Transfer Note arranged.

Do not mix refrigerants in recovery units and especially not in cylinders. If compressors or compressor oils are to be removed, ensure that they have been evacuated to an acceptable level to make certain that flammable refrigerant does not remain within the lubricant. The evacuation process shall be carried out prior to returning the compressor to the suppliers. Only electric heating to the compressor body shall be employed to accelerate this process. When oil is drained from a system, it shall be carried out safely.

Non-duct connected appliances containing A2L refrigerants with the supply and return air openings in the conditioned space may have the body of the appliance may be installed in open areas such as false ceilings not being used as return air plenums, as long as the conditioned air does not directly communicate with the air of the false ceiling.

Before you get start

Preparations before installation



The installation must be carried out in strict accordance with the instructions in this manual.



Installing your AC should take about 30 minutes.



We recommend doing this with a helper.



We're here if you need us, please contact your local distributor for assistance.



AMBIENT TEMPERATURE RANGE FOR UNIT OPERATING

MODE	Temperature Range	MODE	Temperature Range
Cool	16-35°C (60-95°F)	Heat(pump heat mode)	5-30°C (41-86°F)
Dry	13-35°C (55-95°F)	Heat(electrical heat mode)	≤ 30°C (86°F)

Know your Portable Air Conditioner

Energy Rating Information

The energy rating and noise information for this unit is based on the standard installation using an un-extended exhaust duct without window slider adaptor (as shown in the Installation section of this manual). At the same time, the unit must be operate on the COOL MODE and HIGH FAN SPEED by remote controller.

The unit with 3 meters extended exhaust duct is running by using 2 exhaust ducts(Diameter:150mm, Length:1.5m + Diameter: 130mm,Length: 1.5m) .The Energy rating and noise information for unit with 3 meters extended exhaust duct is not assessed. (For some models)

NOTE:

We recommend that operating the unit at room temperature below 35°C . Since there is a risk that the unit with 3 meters extended exhaust duct would not work at room temperature above 35°C under some extreme conditions, such as the lower air intake be blocked for 50%.

How to Stay Cool with a New Portable Air Conditioner (For the models comply with the requirements of Department Of Energy in US).

Because of a new federal test procedure for Portable Air Conditioners, you may notice that the cooling capacity claims on portable air conditioner packaging are significantly lower than that of models produced prior to 2017. This is due to changes in the test procedure, not to the portable air conditioners themselves.

How to purchasing a Portable air conditioner.

The right air conditioner helps you cool a room efficiently. An undersized unit won't cool adequately while one that's too large will not remove enough humidity, leaving the air feeling damp. To find the proper air conditioner, determine the square footage of the room you want to cool by multiplying the room length by its width. You also need to know the air conditioner's BTU (British Thermal Unit) rating, which indicates the amount of heat it can remove from a room. A higher number means more cooling power for a larger room. (Be sure you are comparing only newer models to each other older models may appear to have a higher capacity, but are actually the same). Be sure to "size up" if your portable air conditioner will be placed in a very sunny room, in a kitchen, or in a room with high ceilings. After you've found the right cooling capacity or your room, you can look at other features.

Why newer products have lower cooling capacity than older models.

Federal regulations require manufacturers to calculate cooling capacity based on a specific test procedure, which was changed just this year. Models manufactured before 2017 were tested under a different procedure and cooling capacity is measured differently than in prior years' models. So, while the BTUs may be lower, the actual cooling capacity of the air conditioners has not changed.

What is SACC ?

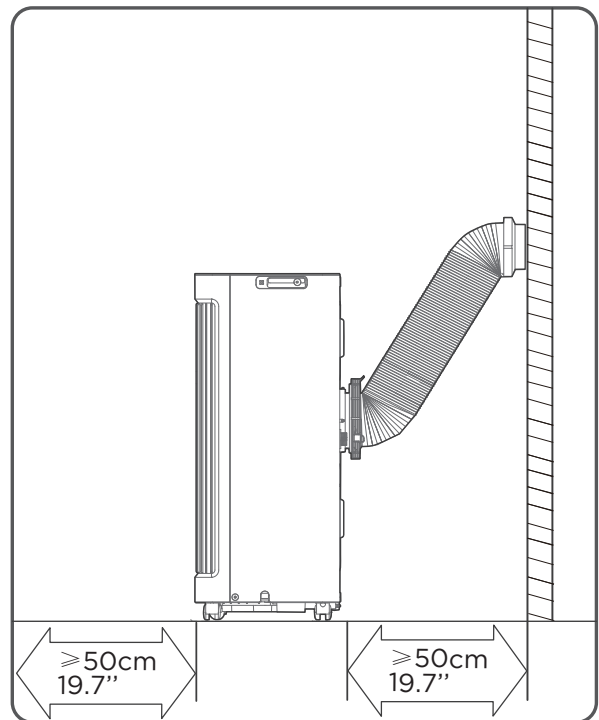
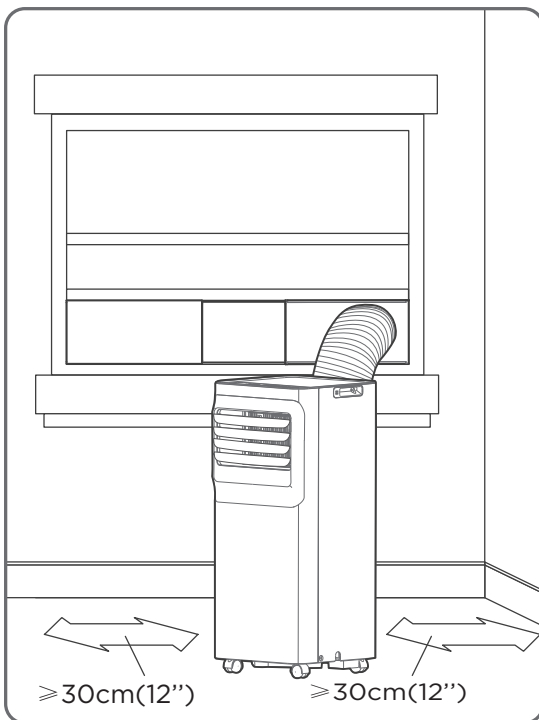
SACC is the representative value of Seasonally Adjusted Cooling Capacity, in Btu/h, as determined in accordance with the DOE test procedure at title 10 Code of Federal Regulations (CFR) 430, subpart B, appendix CC and applicable sampling plans.

PRODUCT INSTALLATION LOCATION

Your installation location should meet the following requirements:

- Make sure that you install your unit on an even surface to minimize noise and vibration.
- The unit must be installed near a grounded plug, and the Collection Tray Drain (found on the back of the unit) must be accessible.
- The unit should be located at least 30cm (12") from the nearest wall to ensure proper air conditioning. The air outlet of the unit should be at least 50cm(19.7") away from obstacles.
- DO NOT cover the Intakes, Outlets or Remote Signal Receptor of the unit, as this could cause damage to the unit.

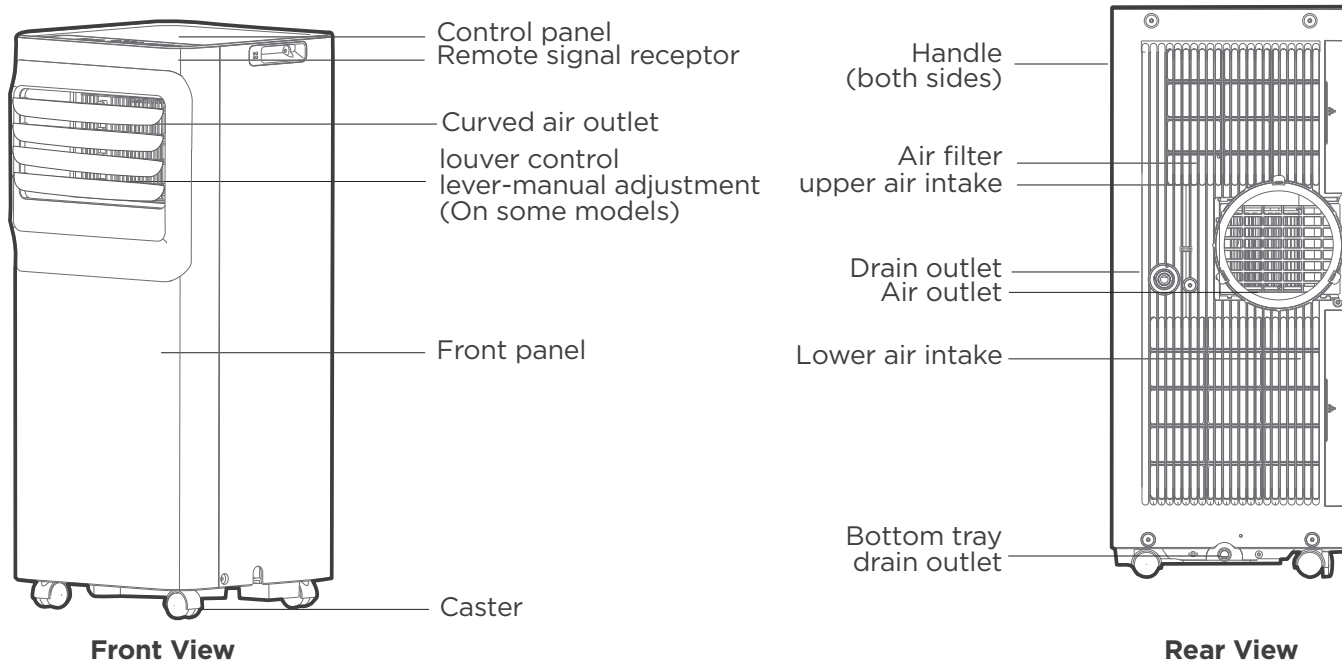
Unit Installation Location Restricted Space Requirements



Product overview

NOTE ON ILLUSTRATIONS:

All the illustrations in the manual are for explanation purpose only. Your machine may be slightly different. The actual shape shall prevail. The unit can be controlled by the unit control panel alone or with the remote controller.

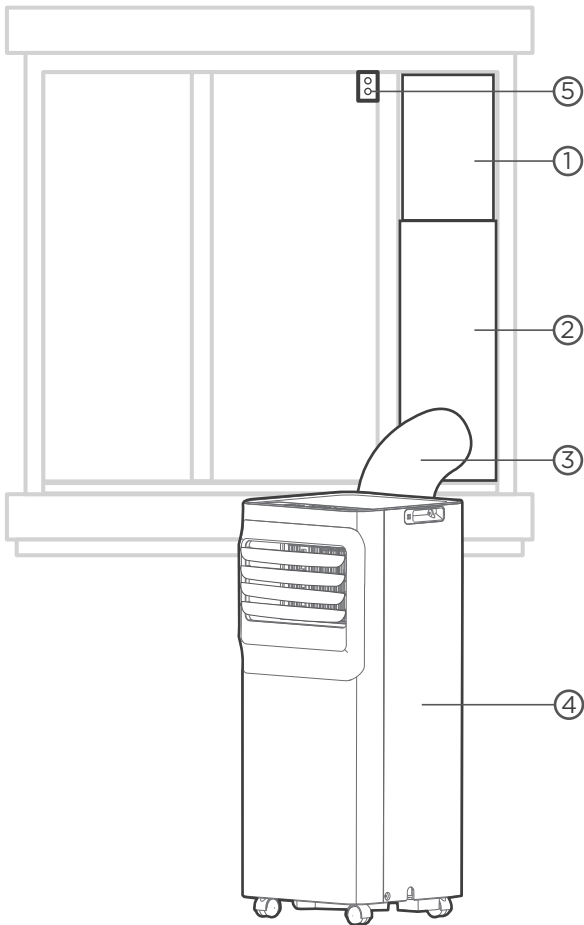


● Design Notice

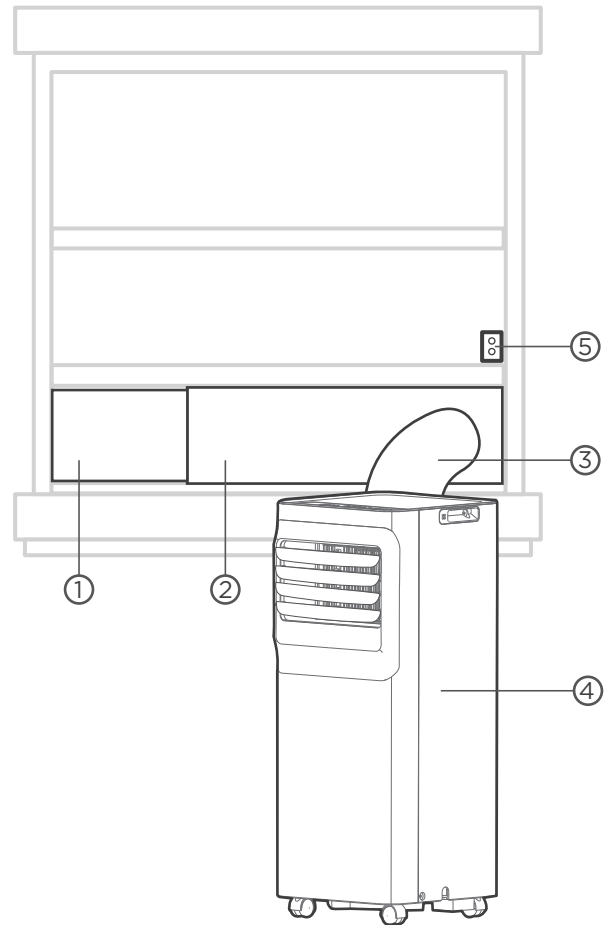
In order to ensure the optimal performance of our products, the design specifications of the unit and remote control are subject to change without prior notice.

Installation overview

Installation Completion Display



Sliding Window Installation



Hung Window Installation

- ① } window slider assembly
- ② }
- ③ Extended Exhaust Hose
- ④ Local Air Conditioner
- ⑤ Security Bracket and 2 Screws

NOTE

Illustrations in this manual are for explanatory purposes. The actual shape of your indoor unit may be slightly different. The actual shape shall prevail.

List of installation tools (not included)



Screwdriver & wrench



Pencil



A tape measure



Scissors or Knife



Saw (On some models, to shorten window adaptor for narrow windows)

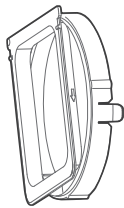
Installation accessories

NOTE

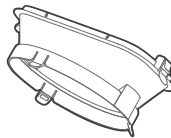
Items with (*) are on some models. Slight variations in design may occur.

Your window installation kit fits windows 19.4"-62.2"(49.3-158.1cm) and can be shortened for smaller windows.

North America



Unit Adaptor (1pc)



Air exhaust passage(1pc*)



Foam Seal A (Adhesive)
4 pc(*)



Foam Seal B (Adhesive)
2 pc



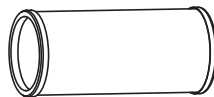
Foam Seal C (Non-adhesive)
2 pc(*)



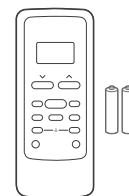
Security Bracket and
2 Screws (1 set)



Drain Hose (1pc)



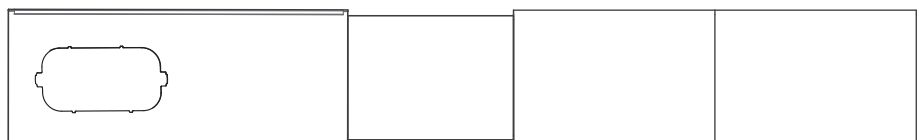
Exhaust Hose



Remote Controller
and Battery (only
for remote control
models)(1set*)



Bolt (3pc*)



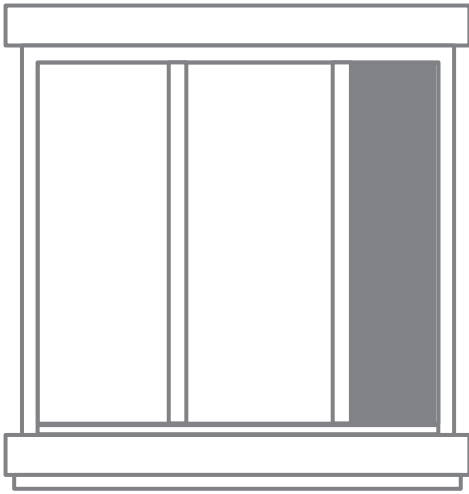
Window
Slider A (1pc)

Window
Slider B (1pc)

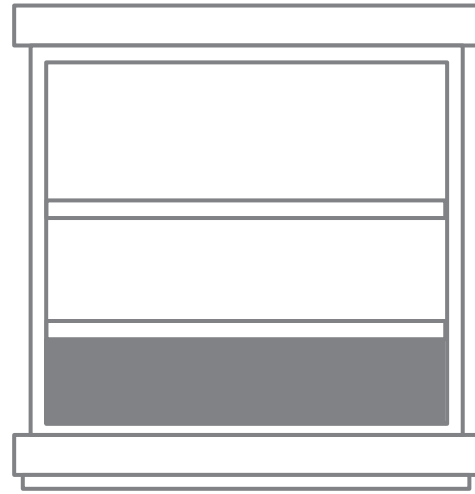
Window
Slider C (1pc*)

Window
Slider D (1pc*)

Confirm your window type (window type and opening size of different types)

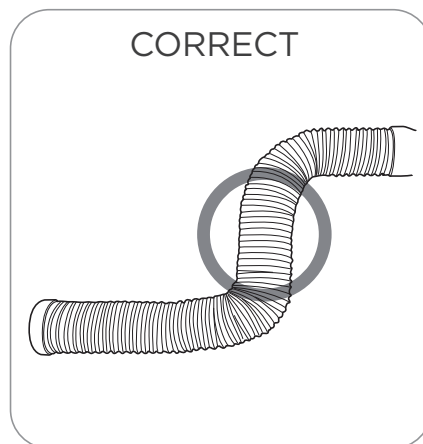
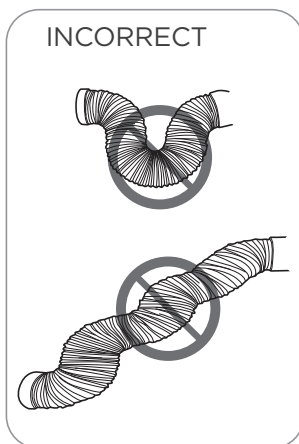


Sliding Window Installation



Hung Window Installation

For optimal performance in operation

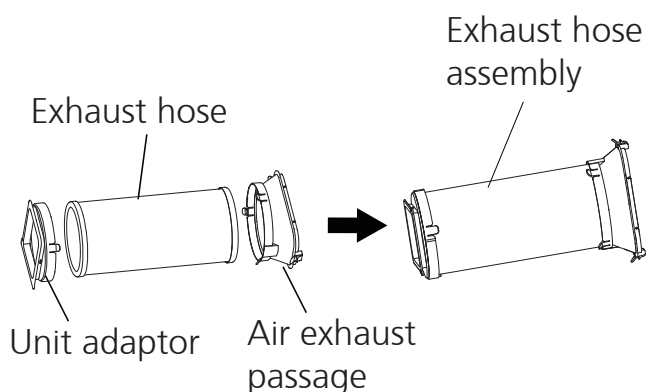


NOTE:

To ensure proper function, DO NOT overextend or bend the hose. Make sure that there is no obstacle around the air outlet of the exhaust hose (in the range of 500mm) in order to the exhaust system works properly. All the illustrations in this manual are for explanation purpose only. Your air conditioner may be slightly different. The actual shape shall prevail.

1.Exhaust hose and adaptors installation

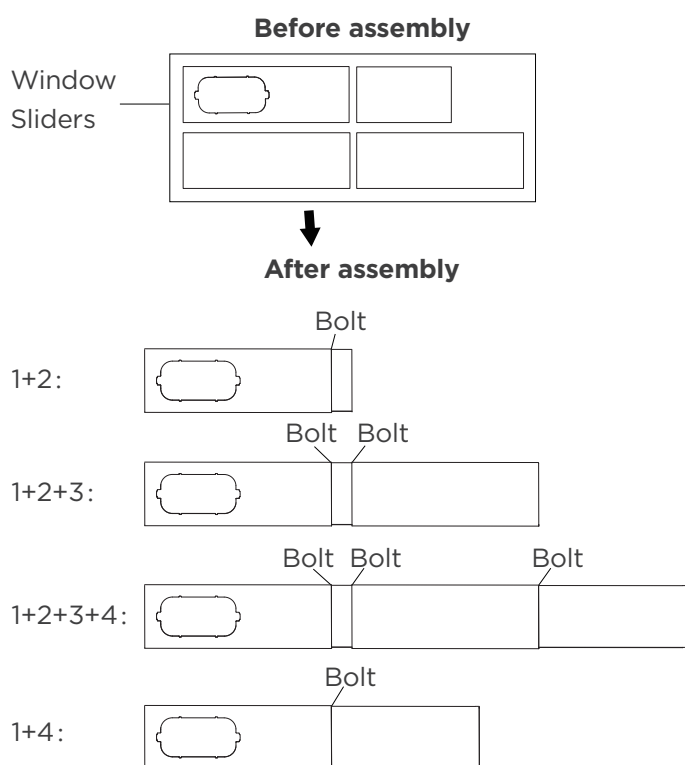
Press the exhaust hose (or extended exhaust hose) into the window slider adaptor and unit adaptor, clamp automatically by elastic buckles of the adaptors.



NOTICE

Please install the exhaust hose assembly according to the fittings in your kit.

2. Preparing the Adjustable Window Slider



Choose the window sliders according to the size of your window. Sometimes, it needs to be cut short to meet the window size, please take extra care to cut it properly.

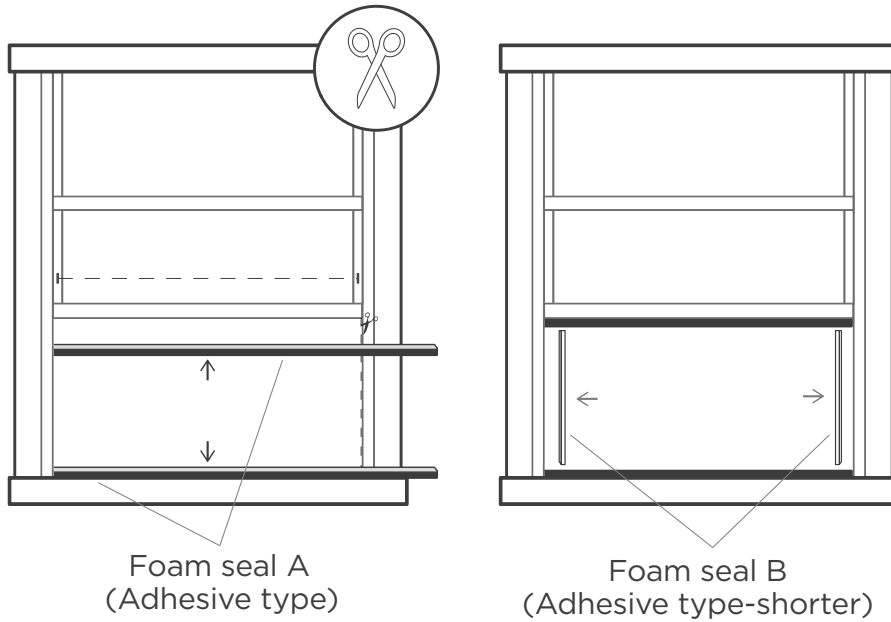
Use bolts to fasten the window sliders once they are adjusted to the proper length.

NOTICE

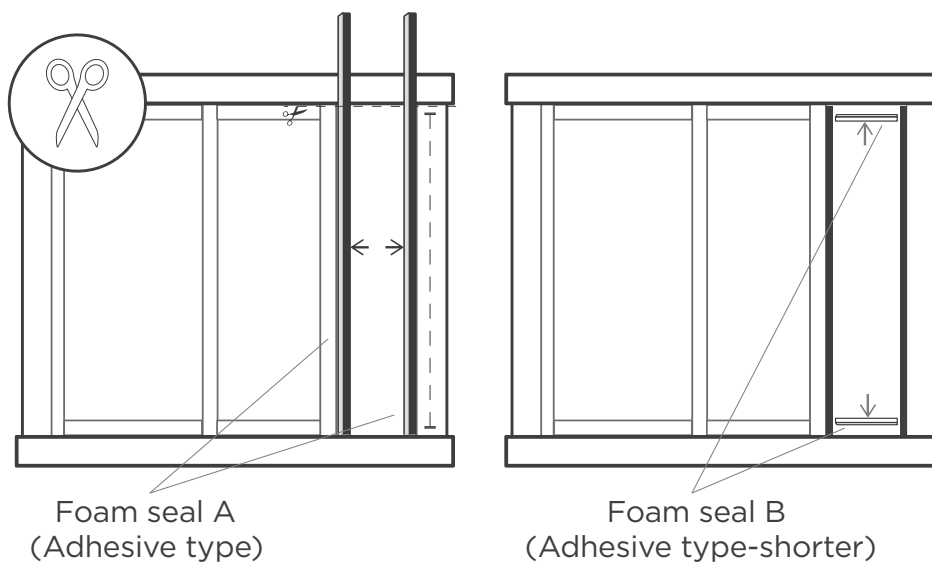
Please base your window slider installation on the accessories in your kit and the size of your window.

3. Complete sealing of window

Cut the adhesive foam seal A and B strips to the proper lengths, and attach them to the window sash and frame as shown.



Hung Window Installation



Sliding Window Installation

4. Hung Window Installation

Step 1:

Insert the window slider assembly into the window opening.

Step 2:

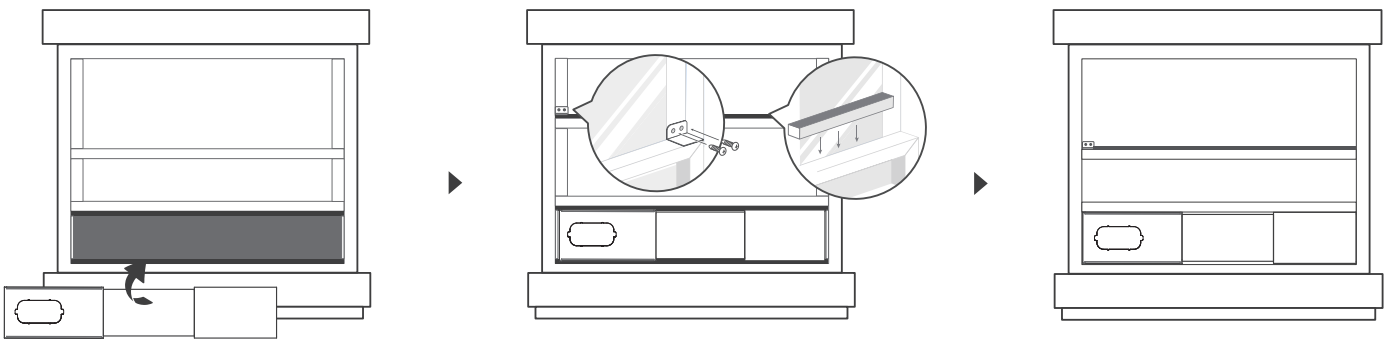
Cut the non-adhesive foam seal C strip to match the width of the window. Insert the seal between the glass and the window frame to prevent air and insects from getting into the room.

Step 3:

If desired, install the security bracket with 2 screws as shown.

NOTICE:

Once the Exhaust Hose assembly and Adjustable Window Slider are prepared, choose from one of the following two installation methods.



5. Sliding Window Installation

Step 1:

Insert the window slider assembly into the window opening.

Step 2:

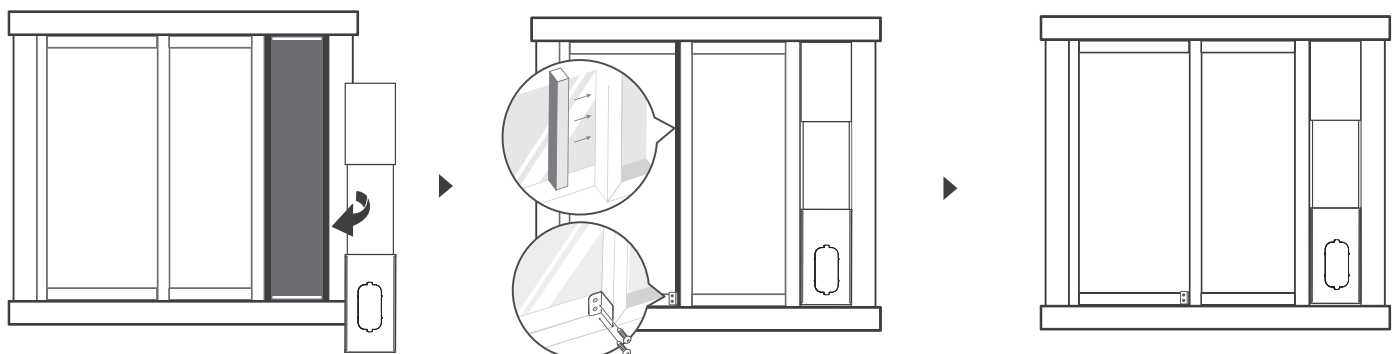
Cut the non-adhesive foam seal C strip to match the height of the window. Insert the seal between the glass and the window frame to prevent air and insects from getting into the room.

Step 3:

If desired, install the security bracket with 2 screws as shown.

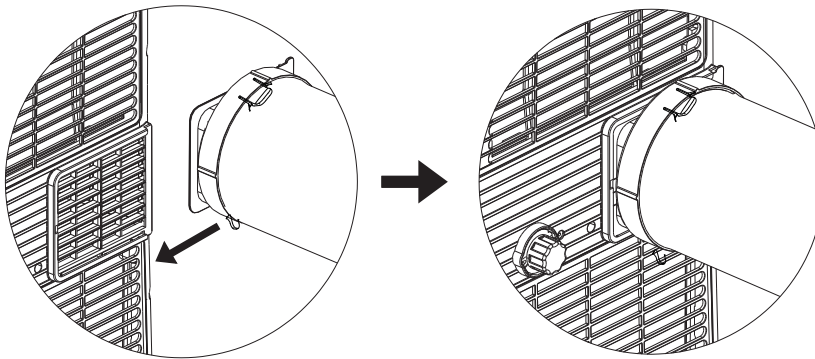
NOTICE:

Once the Exhaust Hose assembly and Adjustable Window Slider are prepared, choose from one of the following two installation methods.



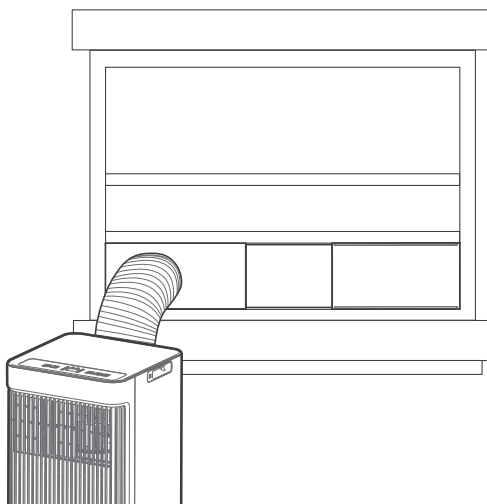
6. Install the Exhaust hose assembly to the unit

Push the Exhaust hose into the airoutlet opening of the unit along the arrow direction.

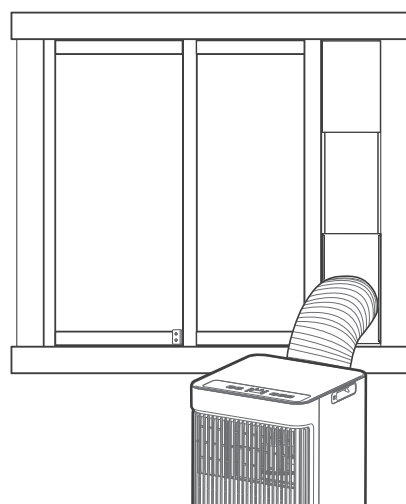


7. Connect the adaptor to the unit and the window

Insert the window slider adaptor into the hole of the window slider.



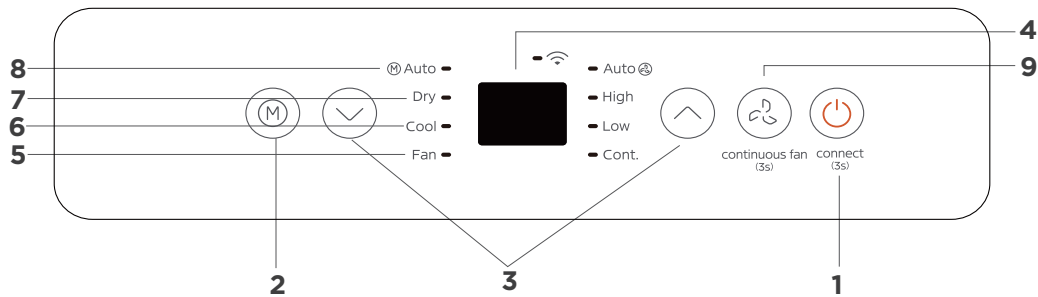
Hung Window Installation



Sliding Window Installation

Get to know your AC

Electronic control operating instructions



1. POWER button

Power switch on/off.

Used to initiate the Wireless function.

For the first time to use Wireless function, press and hold the power button for 3 seconds to initiate the Wireless connection mode. The LED DISPLAY shows 'AP' to indicate you can set Wireless connection. If connection(router) is successful within 8 minutes, the unit will exit Wireless connection mode automatically and the Wireless indicator illuminates.

If connection is failure within 8 minutes, the unit exits Wireless connection mode automatically. After Wireless connection is successful, you can press and hold SWING and DOWN (-) buttons at the same time for 3 seconds to turn off Wireless function and the LED DISPLAY shows 'OF' for 3 seconds, press POWER and UP(+) buttons at the same time to turn on Wireless function and the LED DISPLAY shows 'On' for 3 seconds.

NOTE: Upon restarting the wireless function, it may take some time for the device to automatically connect to the network.

2. MODE function

Selects the appropriate operating mode. Each time you press the button, the mode is selected in a sequence that goes from AUTO, DRY, COOL and FAN, The mode indicator light illuminates under the different mode setting.

NOTE: In AUTO mode, the FAN speed will be adjusted automatically.

3. UP and DOWN buttons

Used to adjust (increasing/decreasing) temperature settings in

1°C/2°F (or 1°F) increments in a range of 16°C/60°F to 30°C/88°F (or 86°F).

NOTE: The control is capable of displaying temperature in degrees Fahrenheit or degrees Celsius. To convert from one to the other, press and hold the Up and Down buttons at the same time for 3 seconds.

4. Display

Shows the set temperature while on Cool, or Auto mode. It shows the room temperature on DRY and FAN modes.

Shows Error codes:

EH00-EEPROM error.

EH60-Room temperature sensor error.

EH61-Evaporator temperature sensor error.

EC52-Condenser temperature sensor error (on some models).

EH0b-Display panel communication error.

EC-Refrigerant leakage detection malfunction(on some models).

Shows protection code:

P1-Bottom tray is full--Connect the drain hose and drain the collected water away.

If protection repeats, call for service.

NOTE: When one of the above malfunctions occurs, turn off the unit, and check for any obstructions. Restart the unit, if the malfunction is still present, turn off the unit and unplug the power cord. Contact the manufacturer, its service agents or a similar qualified person for service.

5.FAN function

Press to control the fan speed in four steps HIGH, LOW,Cont and AUTO. The fan speed indicator light illuminates under different fan settings.

6. COOL mode

Press the "MODE" button until the "Cool" indicator light comes on.Press the ADJUST buttons "+" or "-" to select your the COOL mode.

7. DRY mode

Press the "MODE" button until the "Dry" indicator lightcomes on. In this mode, the fan speed or the temperature cannot be adjusted. The fan motor operates at Auto speed. NOTE:Keep windows and doors closed for the best dehumidifying effect. Do not put the duct to window.

8. AUTO mode

Press the "MODE" button until the "Auto" indicator lightcomes on. In this mode, the fan speed or the temperature will be adjusted automatically.

9. Continuous Fan function

In COOL or DRY mode, press the Fan button for 3 seconds to turn on or off the continuous fan function. When the function is turned on, the Cont. fan light will illuminate, indicating the fan will run continuously. When the function is turned off, the Cont. fan light will go out, indicating that the fan will stop when the compressor stops.

10. Other features

COMFORT SENSE feature (On some models)

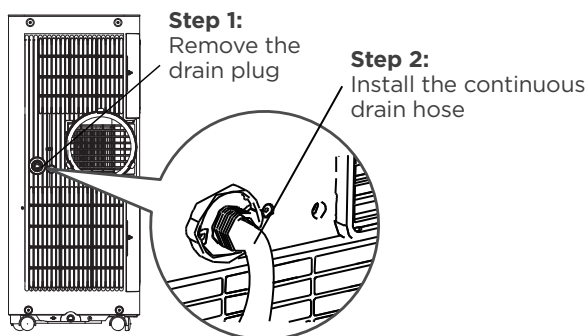
This feature can be activated from the remote control ONLY. There is no indicator light on the control panel. The remote control serves as a remote thermostat allowing for the precise temperature control at its location.

To activate the Comfort Sense feature, point the remote control towards the unit and press the Comfort Sense button. The remote control will send this signal to the AC until press the Comfort Sense button again. If the unit does not receive the Comfort Sense signal during any 7 minutes interval, the unit will exit the Comfort Sense mode.

NOTE: This feature is unavailabe under FAN or DRY mode.

Drainage guide

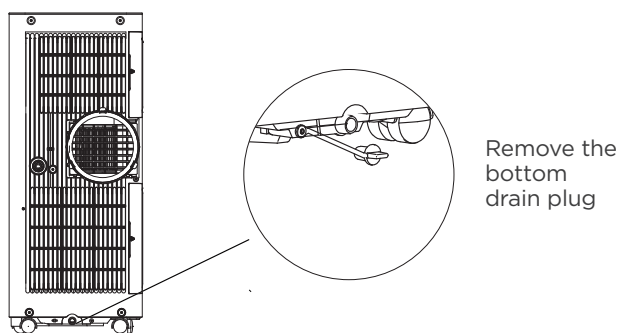
Dehumidifying Mode Drainage Guide



During dehumidifying modes, remove the drain plug from the back of the unit, install the drain connector (5/8" universal female mender) with 3/4" hose (locally purchased). For the models without drain connector, just attach the drain hose to the hole. Place the open end of the hose directly over the drain area in your basement floor.

NOTE: Make sure the hose is secure so there are no leaks. Direct the hose toward the drain, making sure that there are no kinks that will stop the water flowing. Place the end of the hose into the drain and make sure the end of the hose is down to let the water flow smoothly. When the continuous drain hose is not used, ensure that the drain plug and knob are installed firmly to prevent leakage.

Water collection tray Drainage Guide



When the water level of the bottom tray reaches a predetermined level, the unit beeps 8 times, the digital display area shows "P1". At this time the air conditioning/dehumidification process will immediately stop. However, the fan motor will continue to operate (this is normal). Carefully move the unit to a drain location, remove the bottom drain plug and let the water drain away. Reinstall the bottom drain plug and restart the machine until the "P1" symbol disappears. If the error repeats, call for service.

NOTE: Be sure to reinstall the bottom drain plug firmly to prevent leakage before using the unit.

Cleaning & maintenance

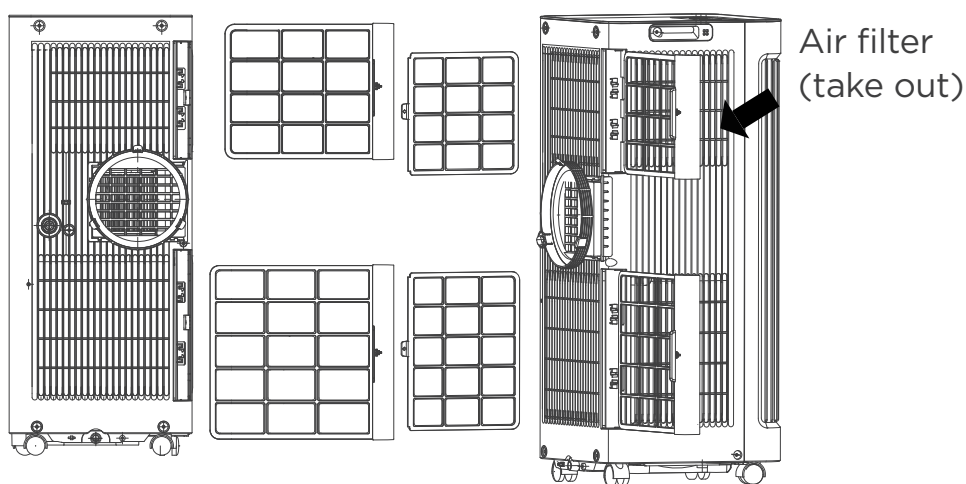
How to clean & maintenance your AC.

Air Filter & Cabinet Cleaning

Clean the unit using a damp, lint-free cloth and mild detergent. Dry the unit with a dry, lint-free cloth.

Maintenance Tips

- Be sure to clean the air filter every 2 weeks for optimal performance.
- The water collection tray should be drained immediately after P1 error occurs, and before storage to prevent mold.
- In households with animals, you will have to periodically wipe down the grill to prevent blocked airflow due to animal hair.



Remove the air filter



CAUTION:

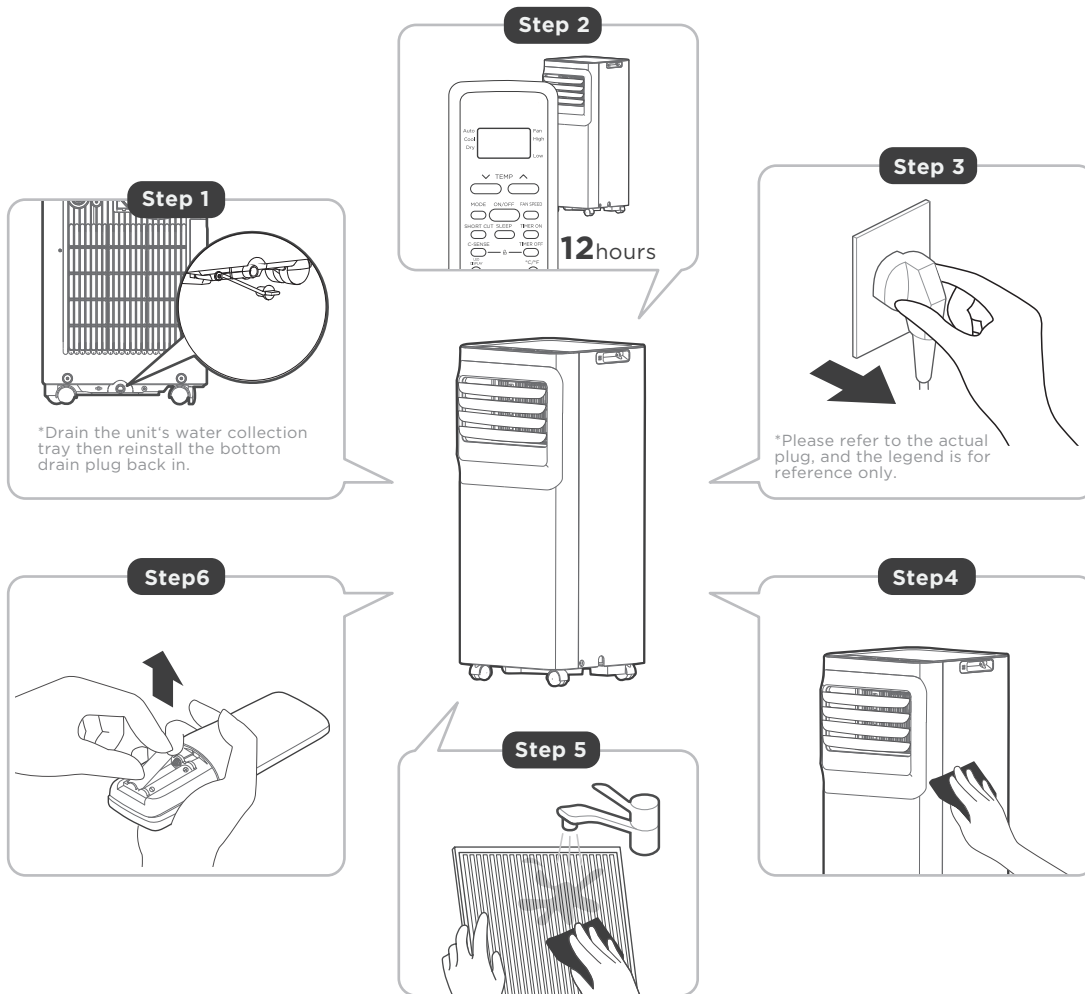
DO NOT operate the unit without filter because dirt and lint will clog it and reduce performance.



CAUTION:

- Always unplug the unit before cleaning or servicing.
- DO NOT use flammable liquids or chemicals to clean the unit.
- DO NOT wash the unit under running water. Doing so causes electrical danger.
- DO NOT operate the machine if the power supply was damaged during cleaning. A damaged power cord must be replaced with a new cord from the manufacturer.

Store the unit when not in use



NOTE

- Be sure to store the unit in a cool, dark place. Exposure to direct sunshine or extreme heat can shorten the lifespan of the unit.
 - The cabinet and front may be dusted with an oil-free cloth or washed with a cloth dampened in a solution of warm water and mild liquid dishwashing detergent. Rinse thoroughly and wipe dry. Never use harsh cleansers, wax or polish on the cabinet front. Be sure to wring excess water from the cloth before wiping around the controls. Excess water in or around the controls may cause damage to the unit.
-
- Drain the unit's water collection tray according to the instructions in the following section.
 - Run the appliance on FAN mode for 12 hours in a warm room to dry it and prevent mold.
 - Turn off the appliance and unplug it.
 - Clean the air filter according to the instructions in the previous section. Reinstall the clean, dry filter before storing.
 - Remove the batteries from the remote control.

TROUBLESHOOTING

Problem Solving

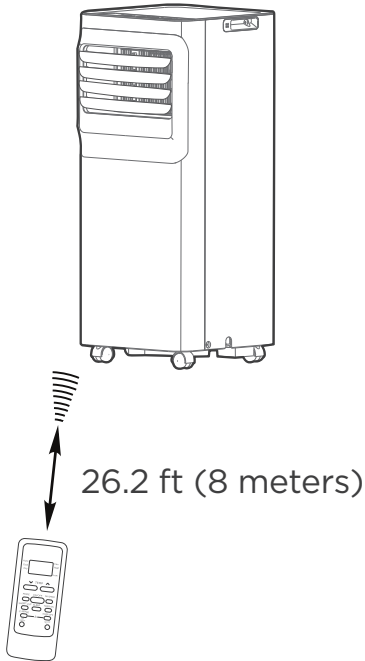
Common Issues

The following problems are not a malfunction and in most situations will not require repairs.

Problem	Possible Causes	Solution
Unit does not turn on when pressing ON/OFF button	P1 Protection Code	The Water Collection Tray is full. Turn off the unit, drain the water from the Water Collection Tray and restart the unit.
	In COOL mode: room temperature is lower than the set temperature	Reset the temperature
Unit does not cool well	The air filter is blocked with dust or animal hair	Turn off the unit and clean the filter according to instructions
	Exhaust hose is not connected or is blocked	Turn off the unit, disconnect the hose, check for blockage and reconnect the hose
	The unit is low on refrigerant	Call a service technician to inspect the unit and top off refrigerant
	Temperature setting is too high	Decrease the set temperature
	The windows and doors in the room are open	Make sure all windows and doors are closed
	The room area is too large	Double-check the cooling area
	There are heat sources inside the room	Remove the heat sources if possible
The unit is noisy and vibrates too much	The ground is not level	Place the unit on a flat, level surface
	The air filter is blocked with dust or animal hair	Turn off the unit and clean the filter according to instructions
The unit makes a gurgling sound	This sound is caused by the flow of refrigerant inside the unit	This is normal

REMOTE CONTROL AND APP INSTRUCTIONS

Handling the Remote Control



Location of the remote control

Use the remote controller within a distance of 26.2 ft (8 meters) from the air conditioner, pointing it towards the receiver. Reception is confirmed by a beep.

⚠ CAUTION

- The air conditioner will not operate if curtains, doors or other materials block the signals from the remote control to the unit.
- Prevent any liquid from spilling onto the remote control. Do not expose the remote control to direct sunlight or heat.
- If the infrared signal receiver on the indoor unit is exposed to direct sunlight, the air conditioner may not function properly. Use curtains to prevent the sunlight from falling on the receiver.
- If other electrical appliances react to the remote control, either move these appliances or consult your local dealer.

NOTICE

- Button design is based on typical model and may vary slightly from the actual one you purchased.
- All the functions described are accomplished by the unit. If the unit is without a feature, the unit will not respond if the corresponding button on the remote is pressed.
- When there are significant differences between features or operation implied by the remote control illustration and the actual functions described in the USER'S MANUAL, the descriptions in the USER'S MANUAL shall prevail.

Remote Controller Specifications

Rated Voltage: 3.0V (Dry batteries R03/LR03x2)

Environment: 23°F ~140°F (-5°~60°)

Function Buttons

TEMP DOWN Button

Press this button to decrease the indoor temperature setting.

TEMP UP Button

Press this button to increase the indoor temperature setting.

ON/OFF Button

Operation starts when this button is pressed and stops when the button is pressed again.

NOTE: If the unit has ENERGY SAVER function, it will initiate automatically the Energy Saver function under Cool, Dry, and Auto (only Auto-Cooling and Auto-Fan) modes.

MODE Button

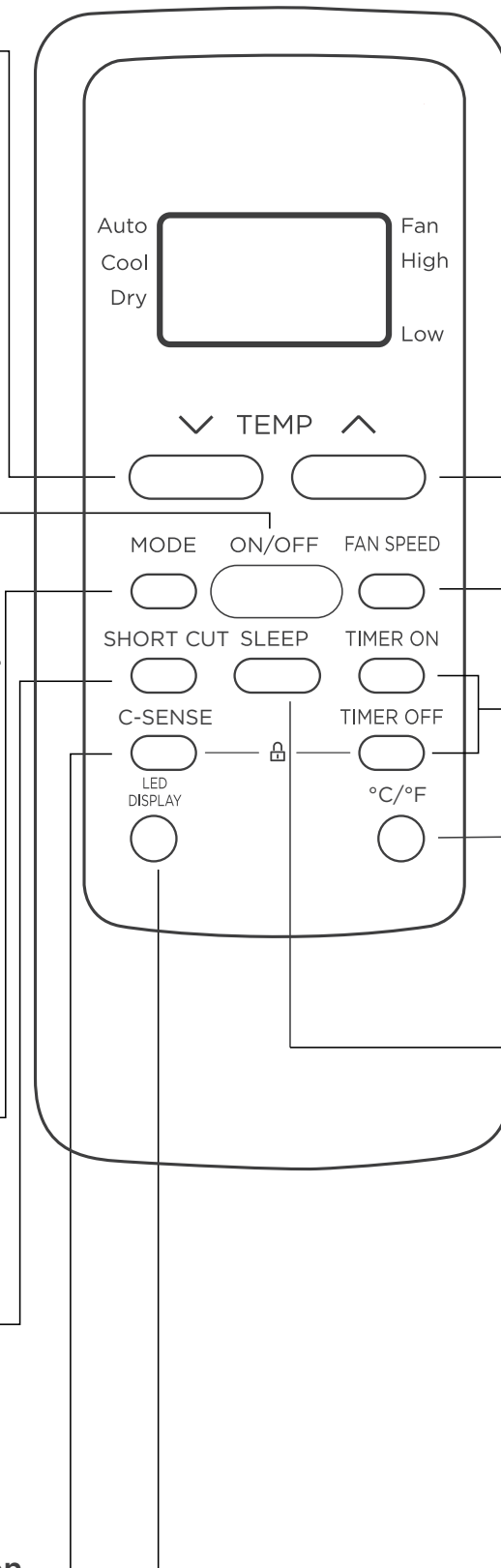
Press this button to select the desired operation mode.

SHORT CUT Button

Sets and activates your favorite pre-settings.

COMFORTSENSE Button

Press this button to active the ComfortSense mode, to optimize the temperature around you and ensure maximum comfort.



SPEED Button

Used to select the desired fan speed.

TIMER Button

Press this button to activate the "Auto Start" or "Auto Stop" program.

°C/°F Button

Press this button to change the temperature display between Celsius and Fahrenheit

SLEEP Button

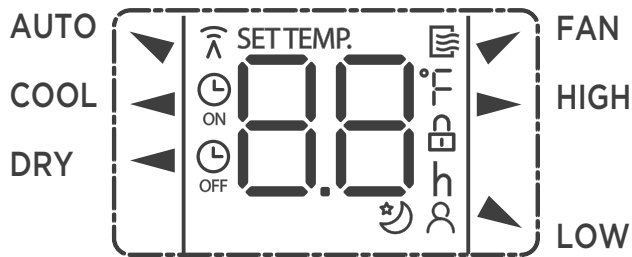
Press this button to activate the Sleep mode. This function is available on COOL or AUTO mode only and will maintain the most comfortable temperature for you while saving energy.

LED DISPLAY Button

Turns the unit's LED display on/off

Remote Screen Indicators


Information are displayed when the remote controller is power up.




Mode display


AUTO ▼ COOL ◀ DRY ◀
 ▲ FAN


 Displayed when data transmitted.


 Appears when the remote is enabled and can send a signal to the unit. If you would like to turn the remote off without affecting the unit, point the remote away from the unit and press the ON/OFF button. To turn the remote on, point the remote away from the unit and press the ON/OFF button. The unit will not receive commands from the remote if this indicator is not illuminated.


 ON Displayed when TIMER ON time is set

 OFF Displayed when TIMER OFF time is set

 Shows set temperature or room temperature, or time under TIMER setting

 Indicated all the current settings are locked

 Displayed when ComfortSense feature is activated(some units)

 Displayed when SLEEP feature is activated

Fan speed indication

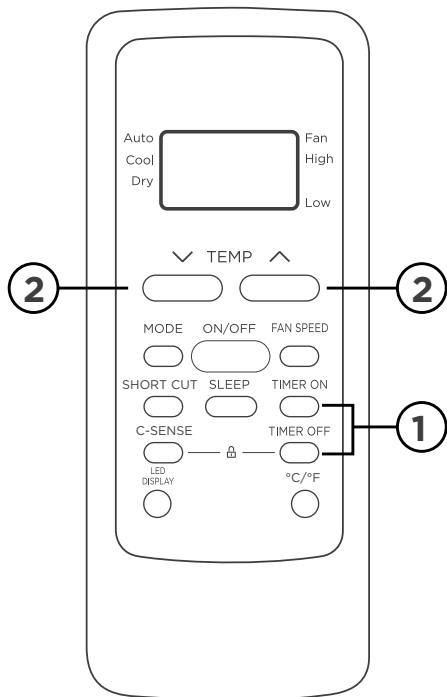
▶ HIGH High speed

▲ LOW Low speed

NO display Auto fan speed

Note:

All indicators shown in the figure are for the purpose of clear presentation. But during the actual operation, only the relative function signs are shown on the display window.



TIMER OPERATION

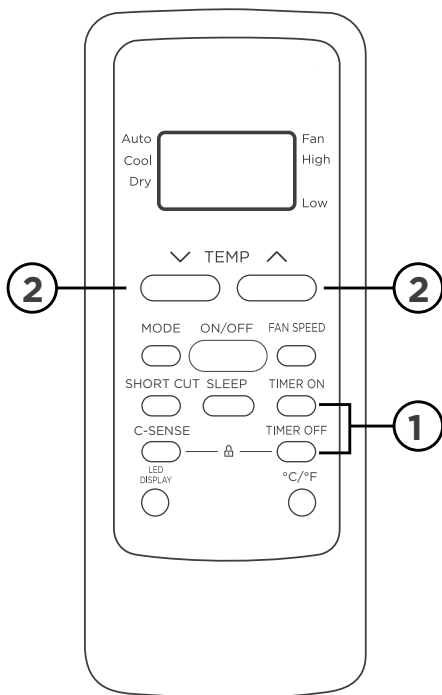
Press the TIMER button to initiate the Auto-start and Auto-stop setting program of the unit.

To set the Auto-start/stop time.

1. Press the TIMER button, when the TIMER ON indicator is displayed on the LED window of the air conditioner, it indicates the Auto Start setting program is initiated. When the TIMER OFF indicator is displayed on the LED window of the air conditioner, it indicates the Auto Stop setting program is initiated.
2. Press or hold the TEMP UP (^)/DOWN (∨) to change the Auto time. The control will count down the time remaining until start/stop.
3. The selected time will register in 5 seconds and the air conditioner will automatically revert back to display the previous temperature setting.
4. Turning the unit ON or OFF at any time will cancel the Auto Start/stop function.

NOTES

To cancel the TIMER setting, push the TIMER button and press or hold the TEMP UP (^)/DOWN (∨) until 0 hour is displayed on the LCD window of the air conditioner.



COMBINED TIMER

(Setting both ON and OFF timers simultaneously)

AUTO STOP > AUTO START

(On > Stop > Start operation)

This feature is useful when you want to stop the air conditioner after you go to bed, and start it again in the morning when you wake up or when you return home.

Example:

To stop the air conditioner 2 hours after setting and start it again 10 hours after setting.

1. Press the TIMER button until the TIMER OFF indicator is displayed on the LED display of the air conditioner.
2. Use the TEMP UP (^)/DOWN (v) button to display "2.0" on the LED display of the air conditioner.
3. Press the TIMER button again to display the TIMER OFF on the LED display of the unit.
4. Use the TEMP UP (^)/DOWN (v) button to display "10" on the LED display of the unit.
5. Wait for 5 seconds until the previous display appears in LED window.

AUTO START > AUTO STOP

(Off > Start > Stop operation)

This feature is useful when you want to start the air conditioner before you wake up and stop it after you leave the house.

Example:

To start the air conditioner 5 hours after setting, and stop it 8 hours after setting.

1. Press the TIMER button until the TIMER ON indicator is displayed on the LED display of the air conditioner.
2. Use the TEMP UP (^)/DOWN (v) button to display "5.0" on the LED display of the air conditioner.
3. Press the TIMER button again to display the TIMER OFF on the LED display of the unit.
4. Use the TEMP UP (^)/DOWN (v) button to display "8.0" on the LED display of the unit.
5. Wait for 5 seconds until the previous display appears in LED window.

NOTES

- Button design is based on a typical model and may slightly vary from the actual one you purchased.
- This device complies with part 15 of the FCC Rules. Operation is subject to the following two conditions: (1) This device may not cause harmful interference, and (2) this device must accept any interference received, including interference that may cause undesired operation.
- This equipment has been tested and found to comply with the limits for a Class B digital device, pursuant to part 15 of the FCC Rules. These limits are designed to provide reasonable protection against harmful interference in a residential installation. This equipment generates, uses and can radiate radio frequency energy and, if not installed and used in accordance with the instructions, may cause harmful interference to radio communications. However, there is no guarantee that interference will not occur in a particular installation. If this equipment does cause harmful interference to radio or television reception, which can be determined by turning the equipment off and on, the user is encouraged to try to correct the interference by one or more of the following measures:
 - Reorient or relocate the receiving antenna.
 - Increase the separation between the equipment and receiver.
 - Connect the equipment to an outlet on a circuit different from that to which the receiver is connected.
 - Consult the dealer or an experienced radio/TV technician for help.
 - Changes or modifications not approved by the party responsible for compliance could void users authority to operate the equipment.

Battery Warning:

Do not mix old and new batteries and Do not mix alkaline, standard (carbon-zinc) or rechargeable (ni-cad, ni-mh, etc.) batteries

Supplier's Declaration of Conformity 47 CFR § 2.1077 Compliance Information

Unique Identifier: Midea brand, RG51H2(2)/CEFU1-M

Responsible Party U.S. Contact Information

Midea America Corporation
300 Kimball Dr
Parsippany NJ
07054

Telephone number or internet contact information: Midea.com/us

FCC Compliance Statement (products subject to Part 15)

This device complies with Part 15 of the FCC Rules. Operation is subject to the following two conditions: (1) This device may not cause harmful interference, and (2) this device must accept any interference received, including interference that may cause undesired operation.

DECLARATION OF CONFORMITY

We hereby declare that this AC is in compliance with the essential requirements and other relevant provisions of Directive 1999/5/EC.

PRECAUTIONS

1. Supports operating systems: iOS 10+ or Android 5+.
2. In the event of a OS update, there may be a delay between the update of the OS and a related software update during which your OS may or may not be supported until a new version is released. Your specific mobile phone or problems in your network may prevent the system from working and Midea will not be responsible for any problems that could be caused by incompatibility or network issues.
3. This Smart AC only supports WPA-PSK/WPA2-PSK (recommended) encryption.
4. To ensure proper scanning of the QR code, your smart phone must have at least a 5-megapixel camera.
5. Due to unstable network connectivity, requests may time out. If this happens, rerun the network configuration.
6. Due to unstable network connectivity, commands may time out. If this happens, the smartphone app and the actual product may display conflicting information. The information displayed on the actual product is always the most accurate available. Refresh the app to re-sync.

NOTICE

Midea will not be responsible for any problems that could be caused by incompatibility or network issues, your wireless router and mobile phone.

SYSTEM OVERVIEW

Devices required to use the Smart AC:

1. Smart Phone with compatible iOS or Android system.
2. Wireless Router
3. Smart Air Conditioner

1 How to use SmartHome App

- ⚠ Make sure your smartphone is connected to your wireless router and your wireless router has a working 2.4 GHz internet connection. Bluetooth must be turned on. The device must also be powered up.

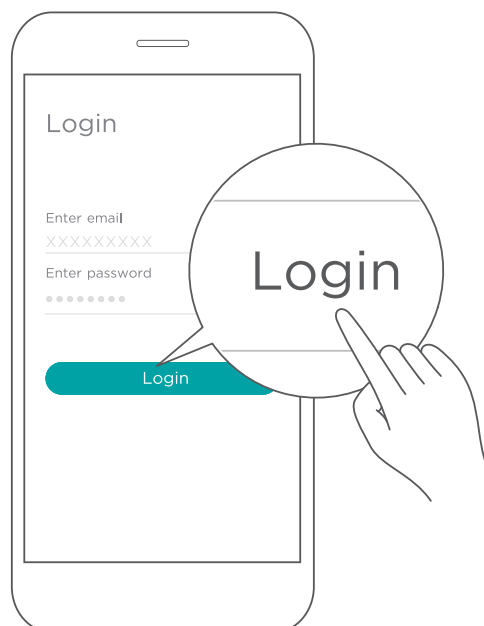
■ Step 1: Download the SmartHome app

Scan the QR code below to download the SmartHome app from app store or search for it directly on the Google Play Store or Apple's App Store.



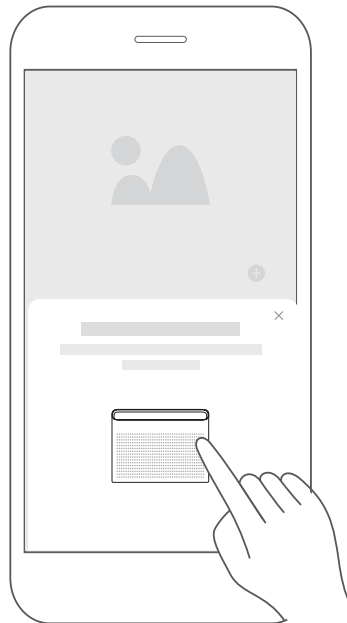
■ Step 2: Log in

Open the SmartHome app. Log in directly if you have an existing SmartHome account or create a new account. Alternatively, you can also use a 3rd party login platform.



■ Step 3: Connecting the device

1) When you log in, you may see the message "Smart devices discovered nearby". Tap to add your device.

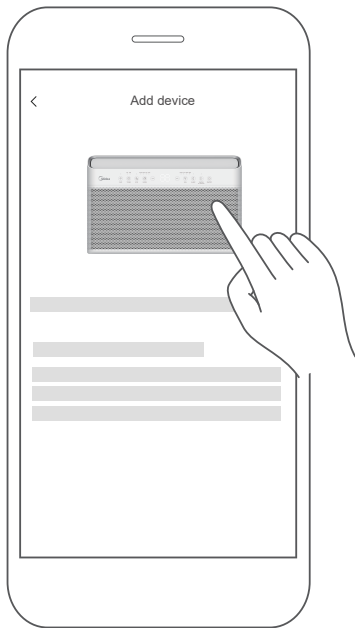


2) If no such message appears, proceed as follows: Tap on "+" and select your device in the list of nearby available devices.

If your device is not listed, please add your device manually, first selecting the device category e.g. Window AC.



3) Follow the steps in the app to connect your device to the wireless network. If your device fails to connect, follow the additional instructions in the app.



For Window AC



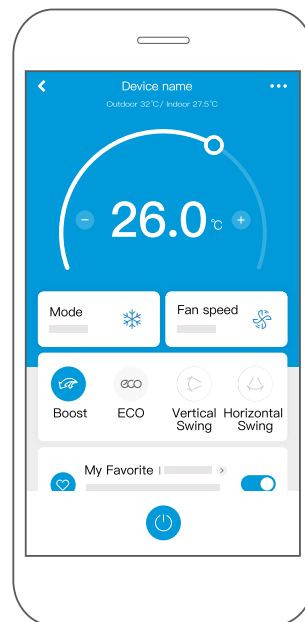
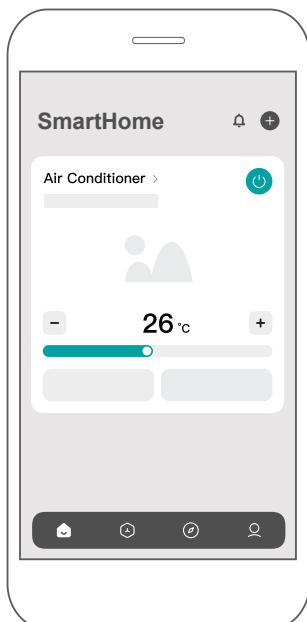
For Portable AC

■ Step 4: Controlling the device

After pairing successfully, a card will be created for the device in the SmartHome app.

Shortcuts for basic functions will appear on the card such as changing the temperature or switching the device on or off.

Tapping on the card, will reveal additional features and settings. The actual UI design may look different from examples due to app updates.



2 How to use Matter

Matter is a connectivity technology that harmonizes the smart home, enabling devices and ecosystems like Alexa, Google Home, and Apple Home to communicate seamlessly. This integration unlocks innovative features.

To use Matter, you will need at least one Matter enabled smart speaker (Amazon, Google or Apple) and its respective app.

-- If you have a Matter enabled smart speaker, please proceed to the "How to use Matter" instructions on the following pages.

-- If you don't have a Matter enabled smart speaker, you won't be able to use Matter right now. However, you can still achieve full functionality of the product by using our SmartHome app. To do this, proceed to the "How to use SmartHome app" section.

Connect Your Air Conditioner through Matter

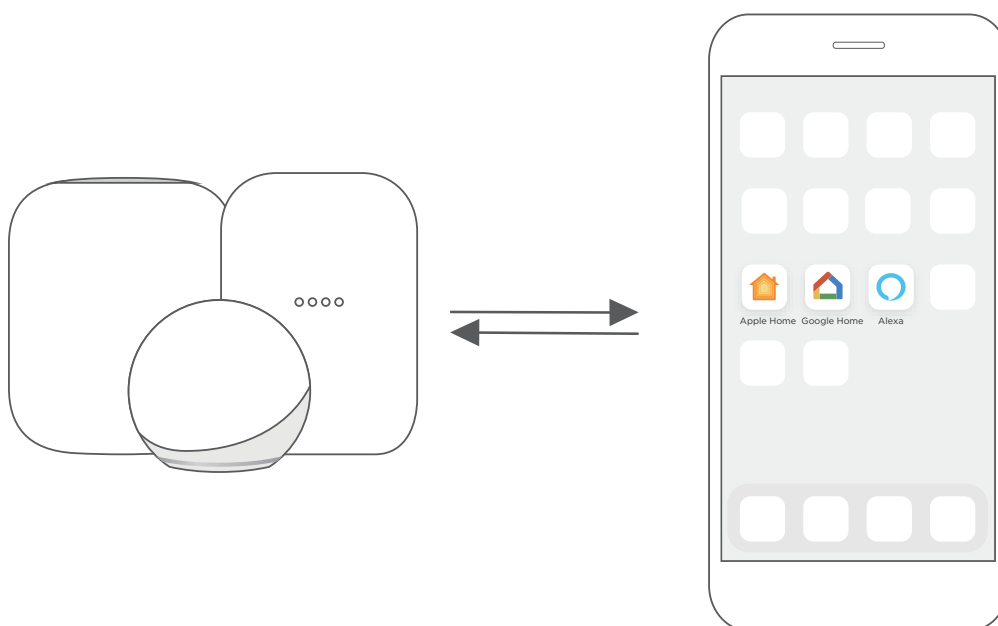
⚠ Make sure your mobile device is connected to your wireless router

Wireless router should support and turn on IPv6. Please make sure your smartphone connect to 2.4G not 5G network.

For optimal Matter compatibility, connect your air conditioner to the Alexa, Google Home, or Apple Home ecosystems, paired with at least one of their compatible Matter-enabled smart speakers.

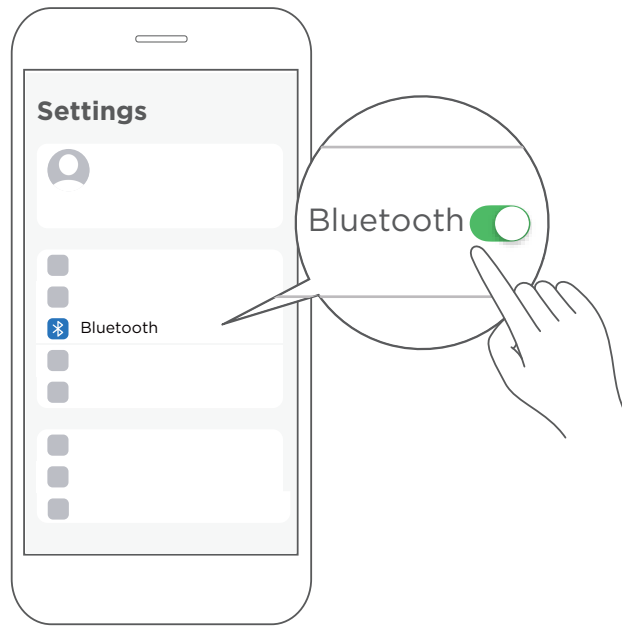
■ Step 1: Connect to smart speaker

Choose your preferred ecosystem (Alexa, Google Home, or Apple Home) and ensure that you have one of their Matter-enabled products, such as a smart speaker, connected to your wireless router.



■ Step 2: Turn on Bluetooth

Turn on Bluetooth on your mobile device.

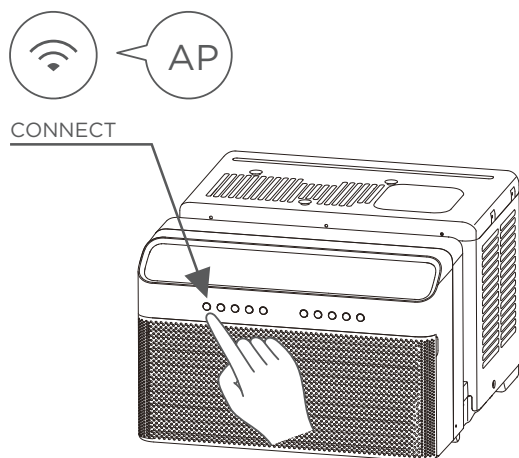


■ Step 3: Enter AP mode

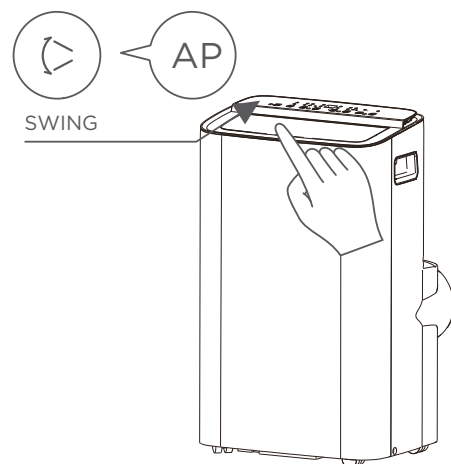
Window AC: Hold down the CONNECT / Power button for 3 seconds to begin the pairing process ("AP" will appear on the AC's display).

Portable AC: Hold down the SWING / Power button for 3 seconds to begin the pairing process ("AP" will appear on the AC's display).

Note: Entering AP pairing mode may vary between different AC, please follow instruction of AC panel.



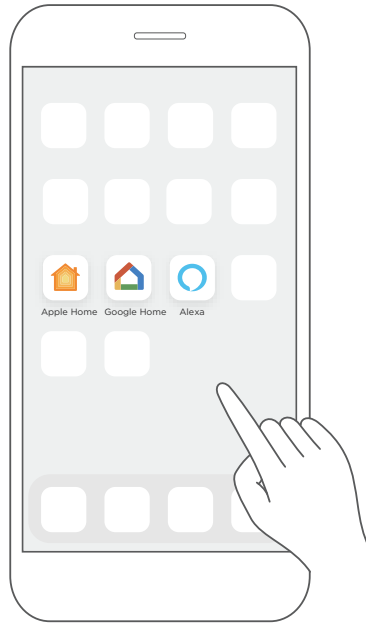
Window AC



Portable AC

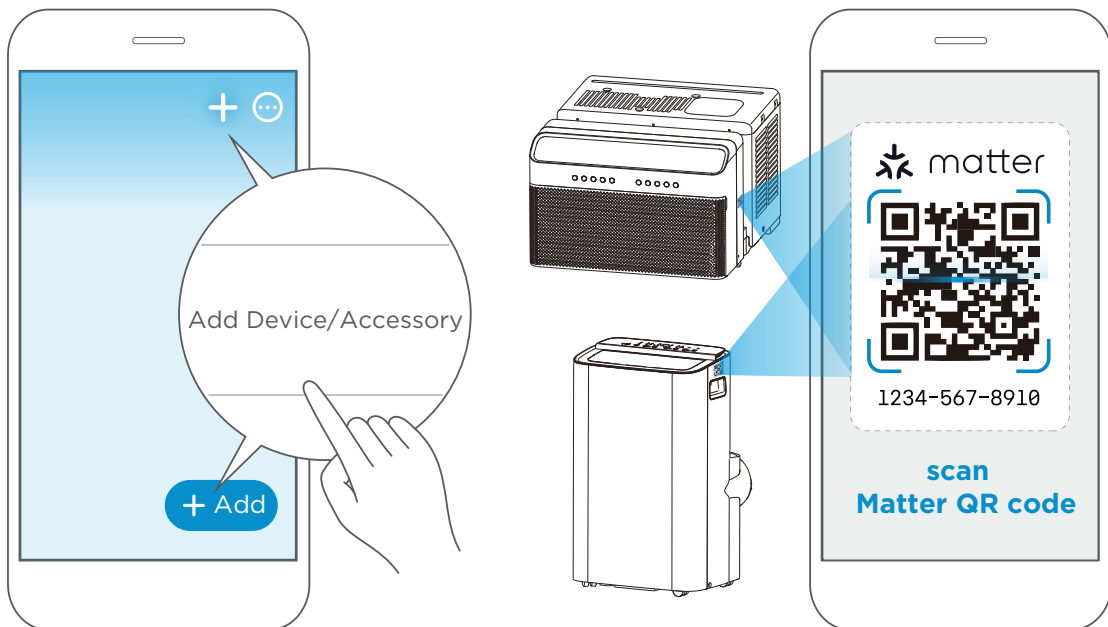
■ Step 4: Open app

Open the Alexa, Google Home, Apple Home app on your mobile device.



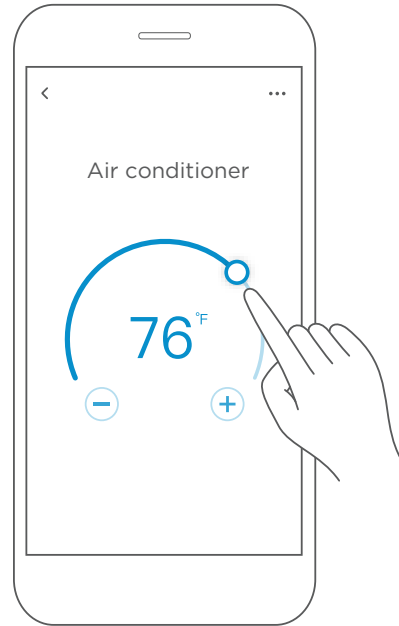
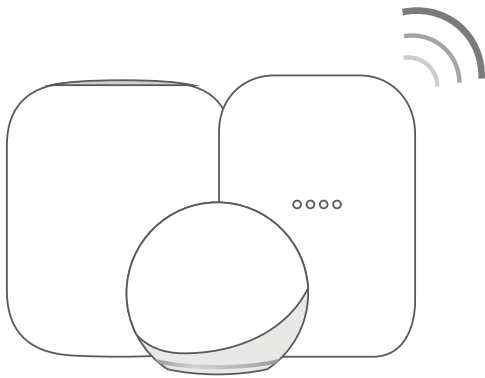
■ Step 5: Scan matter QR code

Open your app and tap the “+” or “+Add” to begin adding a device/accessory. Select the Matter device option and scan the QR code located on the side of your AC unit. Follow the instructions provided in the Alexa, Google Home, or Apple Home app to complete the pairing process.



■ Step 6: Control device


After pairing is successful, you can control your AC's temperature and mode settings, etc. through the respective ecosystem app and smart speaker. Due to a compatibility issue, the temperature value shown in the Alexa, Google Home or Apple Home app may be 1 degree different from that displayed on the air conditioner. However, this will not impact the device's ability to cool the room.



App & Smart Speakers can support Matter only when using these versions or above.

Device	Version
iPhone	iOS 16.5
Apple Home Pod	16.5
Android	Google Play services min version: 22.36.15 Google Home app (GHA) min version: 2.58.24.1-dogfood
Google Home Hub	Google Hub firmware min version: 1.56.324896 (appears on hub as Chromecast firmware version)
Alexa App	2.2.536317
Alexa Echo Device	909443955

NOTE:

- Setup processes and features may vary between ecosystems.
- The functions shown in the Alexa, Google Home or Apple Home apps may change with updates to their products or apps.
- Make sure the Matter enabled app is up to date to ensure the best experience.
- Periodically, we will update the device’s software to improve the experience. Device software updates can be accomplished through the SmartHome app.
-  matter is developed by the Connectivity Standards Alliance TM. This brand, related logos, and marks are trademarks of the Alliance, all rights reserved.
- Use of the Works with Apple badge means that an accessory has been designed to work specifically with the technology identified in the badge and has been certified by the developer to meet Apple’s performance standards. Apple is not responsible for the operation of this device or its compliance with safety and regulatory standards.

3 Specification

Model: US-SK109	Dimensions: 41 x 24 x 5 (mm)
Antenna Type: Printed PCB Antenna	Operation Temperature: 0°C ~ 45°C / 32°F ~ 113°F.
Frequency: 2400-2483.5MHz	Operation Humidity: 10% ~ 85%
Maximum Transmitted Power: <20dBm	Power Input: DC 5V/500 mA

Declaration of conformity
CONTAINS FCC ID: 2ADQOMDNA23
CONTAINS IC : 12575A-MDNA23

This device complies with Part 15 of the FCC Rules and Industry Canada's license exempt RSSs.

Operation is subject to the following two conditions:

- (1) This device may not cause interference;and
- (2) This device must acceptany interference,including interference that may cause undesired operation of the device.

Only operate the device in accordance with the instructions supplied. Changes or modifications to this unit not expressly approved by the party responsible for compliance could void the user's authority to operate the equipment.This device complies with FCC radiation exposure limits set forth for an uncontrolled environment. In order to avoid the possibility of exceeding the FCC radio frequency exposure limits, human proximity to the antenna shall not be less than 20cm (8 inches) during normal operation.

NOTE: This equipment has been tested and found to comply with the limits for a Class B digital device, pursuant to part 15 of the FCC Rules. These limits are designed to provide reasonable protection against harmful interference in a residential installation. This equipment generates, uses and can radiate radio frequency energy and, if not installed and used in accordance with the instructions, may cause harmful interference to radio communications. However, there is no guarantee that interference will not occur in a particular installation. If this equipment does cause harmful interference to radio or television reception, which can be determined by turning the equipment off and on, the user is encouraged to try to correct the interference by one or more of the following measures:

- Reorient or relocate the receiving antenna.
- Increase the separation between the equipment and receiver.
- Connect the equipment into an outlet on a circuit different from that to which the receiver is connected.
- Consult the dealer or an experienced radio/TV technician for help.

NOTE:

All the illustrations in the manual are for explanation purpose only. Your unit may be slightly different. The actual shape shall prevail.

WARRANTY

Air Conditioner Limited Warranty

Your product is protected by this Limited Warranty:

Warranty service must be obtained from Midea Consumer Services or an authorized Midea servicer.

Warranty

- One year full warranty from the date of delivery or the purchase date, whichever is later.
- The date of delivery establishes the warranty period, should service be required.

Midea, through its authorized services will:

- Pay all costs for repairing or replacing parts of this appliance which prove to be defective in materials or workmanship.

Consumer will be responsible for:

- Diagnostics, removal, transportation and reinstallation cost required because of service.
- Costs of service calls that are a result of items listed under NORMAL RESPONSIBILITIES OF THE CONSUMER**

Midea replacement parts shall be used and will be warranted only for the original warranty.

NORMAL RESPONSIBILITIES OF THE CONSUMER**

This warranty applies only to products in ordinary household use, and the consumer is responsible for the items listed below:

1. Proper use of the appliance in accordance with instructions provided with the product.
2. Routine maintenance and cleaning necessary to keep the good working condition.
3. Proper installation by an authorized service professional in accordance with instructions provided with the appliance and in accordance with all local plumbing, electrical and/or gas codes.
4. Proper connection to a grounded power supply of sufficient voltage, replacement of blown fuses, repair of loose connections or defects in house wiring.
5. Expenses for making the appliance accessible for servicing.
6. Damages to finish after installation.

EXCLUSIONS

This warranty does not cover the following:

- 1) Failure caused by damage to the unit while in your possession (other than damage caused by defect or malfunction), by its improper installation, or by unreasonable use of the unit, including without limitation, failure to provide reasonable and necessary maintenance or to follow the written installation and Operating Instructions.
- 2) Damages caused by services performed by persons other than authorized Midea customer service; or external causes such as abuse, misuse, inadequate power supply or acts of God.
- 3) If the unit is put to commercial, business, rental, or other use or application other than for consumer use, we make no warranties, express or implied, including but not limited to, any implied warranty of merchantability or fitness for use or purpose.
- 4) Products without original serial numbers or products that have serial numbers which have been altered or cannot be readily determined.

NOTE: Some states do not allow the exclusions or limitation of incidental or consequential damages. So this limitation or exclusion may not apply to you.

IF YOU NEED SERVICE

Keep your bill of sale, delivery slip, or some other appropriate payment Record.

The date on the bill establishes the warranty period, should service be required.

If service is performed, it's your best interest to obtain and keep all receipts.

This written warranty gives you specific legal rights. You may also have other rights that vary from state to state.

Service under this warranty must be obtained by following these steps, in order:

- 1) Contact Midea Consumer Services or an authorized Midea services at 1 866 646 4332.
- 2) If there is a question as to where to obtain service, contact our consumer relations Department.

RETURN POLICY

Return policy

Questions about installing or operating your Midea product?

- ♦ If you still need assistance, please call Customer Service at **1-866-646-4332**.
- ♦ Have your sales receipt, serial number and product model number available when you call.

The product may be returned within 30 days of purchase with receipt, After 30 days, the product is covered under limited warranty. Please refer to the warranty section in the User Manual for details.

save your
receipt

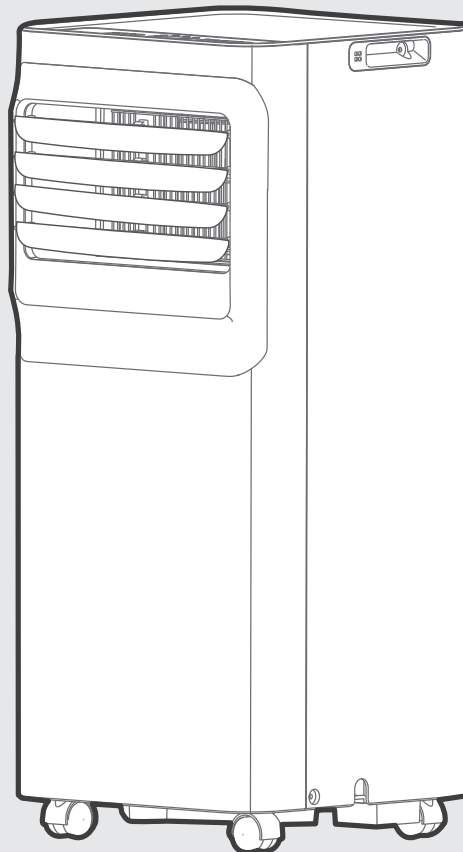




www.midea.com
© Midea 2025 all rights reserved

MAPS

16120600A32239



AIRE ACONDICIONADO PORTÁTIL

MANUAL DEL USUARIO

NÚMERO DE MODELO

MAP06S1AWGR-T



Avisos de advertencia: antes de usar este producto, lea atentamente este manual y consérvelo para futuras referencias.

El diseño y las especificaciones están sujetos a cambios sin previo aviso para la mejora del producto. Consulte con su distribuidor o fabricante para obtener más detalles.

CARTA DE AGRADECIMIENTO

¡Gracias por elegir Midea! Antes de usar su nuevo producto Midea, lea este manual detenidamente para asegurarse de que conoce cómo operar las características y funciones que su nuevo electrodoméstico ofrece de manera segura.

MANUAL DEL PROPIETARIO

Precauciones de seguridad	03
Antes de empezar	13
Descripción del producto	16
Vista general de la instalación	17
Accesorios de instalación	18
Conozca su aire acondicionado	24
Guía de drenaje	26
Limpieza y mantenimiento	27
Guarde la unidad cuando no la utilice	28
Resolución De Problemas	29
Instrucciones del control remoto y aplicación	30
Garantía	47
Política de Devolución	48

Lea este manual

Dentro de este manual podría encontrar muchos consejos ayudables diciendo cómo usar y mantener su aire acondicionado correctamente. Le cuesta un poco cuidado antes, le ahorrará mucho tiempo y dinero en su aire acondicionado. Puede encontrar muchas respuestas a los problemas comunes en el cuadro de las soluciones de problemas. Si lea nuestro cuadro de soluciones de problemas primero, quizá no será necesario llamar por servicio.



CAUTION

- Para obtener asistencia, llame el Central de Servicio Técnico al 1-866-646-4332.
- Este aparato no está indicado a ser utilizado por personas (incluidos niños) con capacidades físicas, sensoriales o mentales reducidas o falta de experiencia y conocimientos, a menos que hayan recibido supervisión o instrucción sobre el uso del aparato por parte de una persona responsable de su seguridad.
- Los niños deben supervisarse para asegurar que ellos no jueguen con el acondicionador de aire.
- El aparato deberá ser instalado de acuerdo con la norma nacional de instalación eléctrica.
- No utilizar su acondicionador de aire en una habitación húmeda, como un baño o una lavandería..

Precauciones de seguridad

Lea el mensaje de advertencia.

Lea las precauciones de seguridad antes del funcionamiento y la instalación de la unidad

Para evitar la muerte o lesiones al usuario o a otras personas, así como daños materiales, deben seguirse las siguientes instrucciones.

El funcionamiento incorrecto debido a ignorar las instrucciones puede causar la muerte, lesiones o daños.

Explicación de los símbolos



ADVERTENCIA

Este símbolo indica la posibilidad de lesiones personales o pérdida de la vida.



PRECAUCIÓN

Este símbolo indica la posibilidad de daños materiales o consecuencias graves.

Funcionamiento del Dispositivo Actual

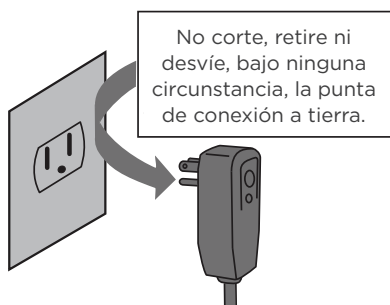


Enchufe y pulse el botón RESET

El cable de alimentación contiene un dispositivo de medición que detecta daños en el propio cable. Pruebelo de la siguiente manera:

1. Enchufe el acondicionador de aire.
2. El cable de alimentación tendrá DOS botones en el cabezal del enchufe. Pulse el botón TEST. Notará un clic a medida que aparezca el botón RESET .
3. Pulse el botón RESET. Notará un clic a medida que el botón se activa.
4. El cable de alimentación ahora está energizando la unidad. (En algunos productos esto también se indica mediante una luz en el cabezal del enchufe.)

Tomacorriente de pared conectado a tierra



Cable de alimentación con enchufe de conexión a tierra de 3 clavijas y dispositivo de detección de corriente.

AVISO

El cable de alimentación que acompaña este acondicionador de aire contiene un dispositivo de detección de corriente diseñado para reducir el riesgo de incendio.

En el caso del cable de alimentación esté dañado, no se puede reparar. Debe sustituirlo por un cable del fabricante.

AVISO

- No utilice este dispositivo para encender o apagar la unidad.
- Asegúrese siempre de que el botón RESET esté pulsado para un funcionamiento correcto.
- El cable de alimentación debe ser reemplazado si lo falla al reiniciar mismo cuando el botón TEST es té pulsado o no se puede reiniciarse. Póngase en contacto con el servicio de atención al cliente.

ADVERTENCIA

- La instalación debe realizarse de acuerdo con las instrucciones de instalación. Una instalación incorrecta puede causar fugas de agua, descargas eléctricas o incendios.
- Utilice sólo los accesorios y piezas incluidos y las herramientas especificadas para la instalación. El uso de piezas no estándar puede provocar fugas de agua, descargas eléctricas, incendios y lesiones o daños materiales.
- Asegúrese de que la toma de corriente que utiliza está conectada a tierra y tiene el voltaje adecuado. El cable de alimentación está equipado con un enchufe de tres clavijas con toma de tierra para proteger contra descargas eléctricas. La información sobre el voltaje se encuentra en la placa de características de la unidad.
- Conecte la unidad a una toma de corriente debidamente conectada a tierra. Si el receptáculo de pared que pretende utilizar no está adecuadamente conectado a tierra o protegido por un fusible de retardo o disyuntor (el fusible o disyuntor necesario está determinado por la corriente máxima de la unidad, que está especificada en la placa de características situada en la unidad), haga que un electricista debidamente capacitado instale el tomacorriente apropiado.
- No toque la unidad con las manos mojadas o húmedas ni cuando esté descalzo.
- Si el aire acondicionado sufre un golpe durante su uso, apáguelo y desconéctelo inmediatamente de la red eléctrica. Revise la unidad y compruebe que no haya sufrido ningún daño. Si sospecha que la unidad ha sufrido algún daño, póngase en contacto con un técnico o con el servicio de atención al cliente para obtener ayuda.
- En caso de tormenta eléctrica, desconecte el cable de alimentación para evitar que los efectos de un rayo dañen la unidad.
- El aire acondicionado debe protegerse de la humedad. Por ejemplo: de la condensación, salpicaduras de agua, etc. No coloque ni guarde el aire acondicionado donde pueda caerse o donde pueda entrarle agua o cualquier otro líquido. Desenchúfelo inmediatamente si ocurre.
- Instale la unidad sobre una superficie plana y resistente. De lo contrario, podrían producirse daños oruidos y vibraciones excesivos.
- La unidad debe mantenerse libre de obstrucciones para garantizar su correcto funcionamiento y mitigar los riesgos de seguridad.
- No modifique la longitud del cable de alimentación ni utilice un alargador para alimentar la unidad.
- No comparta una misma toma de corriente con otros aparatos eléctricos. Una alimentación inadecuada puede provocar un incendio o una descarga eléctrica.
- No instale el aire acondicionado en una habitación húmeda, como un cuarto de baño o un lavadero. Una exposición excesiva al agua puede provocar un cortocircuito en los componentes eléctricos.
- No instale la unidad en un lugar que pueda estar expuesto a gas combustible, ya que podría provocar un incendio.
- La unidad tiene ruedas para facilitar su desplazamiento. Asegúrese de no utilizar las ruedas sobre moqueta gruesa o para rodar sobre objetos, ya que podrían provocar vuelcos.
- No utilice una unidad que se haya caído o dañado.
- El aparato con calentador eléctrico debe tener un espacio de al menos 1 metro respecto a los materiales combustibles.
- Todo el cableado debe realizarse estrictamente de acuerdo con el diagrama de cableado situado en el interior de la unidad.
- La placa de circuito impreso (PCB) de la unidad está diseñada con un fusible para proporcionar protección contra sobrecorriente. Las especificaciones del fusible están impresas en la placa de circuito, las cuales pueden ser: T 3.15 A/250 V, etc.

PRECAUCIÓN

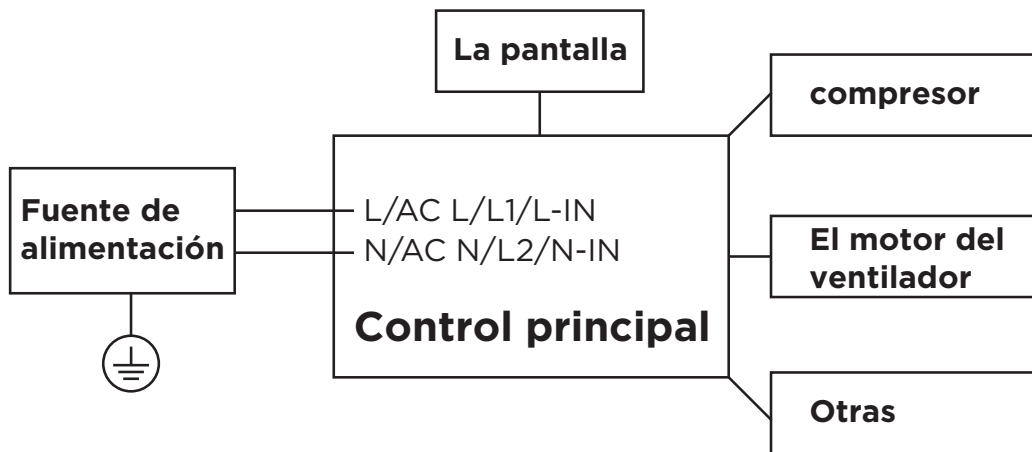
- Este aparato puede ser utilizado por personas (incluyendo niños) con capacidades físicas, sensoriales o mentales reducidas, o falta de experiencia y conocimientos, siempre y cuando sean supervisados o hayan recibido instrucciones sobre el uso del aparato por parte de una persona responsable de su seguridad. Los niños deben supervisarse para asegurarse de que no jueguen con el aparato. Los niños deben ser supervisados alrededor de la unidad en todo momento.
- Si el cable de alimentación está dañado, solo el fabricante, su agente de servicio o un técnico calificado debe reemplazarlo para evitar riesgos de seguridad.
- No utilice este producto para funciones distintas de las descritas en este manual de instrucciones.
- Antes de limpiar la unidad, apague el interruptor de encendido y desconecte el cable de alimentación.
- Si observa ruidos raros, olores extraños o humo, desconecte el cable de alimentación inmediatamente.
- No pulse los botones del panel de control con nada que no sean los dedos.
- No retire ninguna cubierta fija. No utilice nunca este aparato si no funciona correctamente o si se ha caído o dañado.
- No haga funcionar ni detenga el aparato introduciendo o extrayendo el enchufe del cable de alimentación.
- No utilice productos químicos peligrosos para limpiar o entrar en contacto con la unidad. No utilice la unidad en presencia de sustancias o vapores inflamables como alcohol, insecticidas, gasolina, etc.
- Antes de llevar a cabo las tareas de limpieza o mantenimiento, desconecte la unidad del suministro eléctrico.
- No retire ninguna cubierta fija. No utilice nunca este aparato si no funciona correctamente o si se ha caído o dañado.
- No pase el cable de alimentación por debajo de alfombras. No cubra el cable de alimentación con alfombrillas, tapetes o cubiertas similares. No pase el cable por debajo de muebles o electrodomésticos. Coloque el cable de alimentación lejos de áreas transitadas para evitar tropiezos.
- No utilice la unidad si el cable, el enchufe, el fusible o el disyuntor están dañados. Deseche la unidad o llévela a un centro de servicio técnico autorizado para que la inspeccionen o reparen.
- Para reducir el riesgo de incendio o descarga eléctrica, no utilice este ventilador con ningún dispositivo de control de velocidad de estado sólido.
- Este aparato debe instalarse de acuerdo con la normativa nacional sobre cableado.
- Póngase en contacto con el servicio técnico autorizado para la reparación o el mantenimiento de esta unidad.
- No cubra ni obstruya las rejillas de entrada o salida.
- Transporte siempre el aire acondicionado en posición vertical y colóquelo sobre una superficie estable y nivelada durante su uso.
- Póngase siempre en contacto con una persona cualificada para realizar reparaciones. Si el cable de alimentación dañado debe ser sustituido por un nuevo cable de alimentación obtenido del fabricante del producto y no reparado.
- Sujete el enchufe por la cabeza al sacarlo.
- Apague la unidad cuando no esté en uso.

Trabajo Electrónico



ADVERTENCIA :

ANTES DE REALIZAR CUALQUIER TRABAJO ELÉCTRICO O DE CABLEADO, APAGUE LA ENERGÍA PRINCIPAL DEL SISTEMA.



PRECAUCIÓN:
Riesgo de incendio
**materiales
inflamables**

NOTA IMPORTANTE: Lea atentamente este manual antes de instalar o poner en funcionamiento su nuevo aparato. Asegúrese de guardar este manual para referencia futura.

Explicación de los símbolos que aparecen en la unidad

	PRECAUCIÓN	Este símbolo indica que debe leerse atentamente el manual de instrucciones.
	PRECAUCIÓN	Este símbolo indica que el personal de servicio debe manipular este equipo consultando el manual de instalación.
	PRECAUCIÓN	Este símbolo indica que hay información disponible, como el manual de instrucciones o el manual de instalación.

ADVERTENCIA:

- El mantenimiento sólo debe realizarse según las recomendaciones del fabricante del equipo. El mantenimiento y la reparación que requieran la asistencia de otros técnicos especializados se llevarán a cabo bajo la supervisión de la persona competente en el uso de refrigerantes inflamables.
 - NO modifique la longitud del cable de alimentación ni utilice un alargador para alimentar la unidad.
 - NO comparta una misma toma de corriente con otros aparatos eléctricos. Una alimentación inadecuada puede provocar un incendio o una descarga eléctrica.
- Siga atentamente las instrucciones de manipulación, instalación, limpieza y mantenimiento del aparato para evitar cualquier daño o peligro.

Inflamable

El aparato utiliza refrigerante R32.

- Cuando realice el mantenimiento o deseche el aparato, el refrigerante (R32) deberá recuperarse adecuadamente y no deberá verterse directamente al aire.
- Deberá respetarse la normativa nacional sobre gases.
- Mantenga las aberturas de ventilación libres de obstrucciones.
- El aparato deberá almacenarse de manera que no se produzcan daños mecánicos.
- Advertencia de que el aparato debe almacenarse en una zona bien ventilada donde el tamaño de la sala corresponda a la superficie de la sala especificada para el funcionamiento.
- Toda persona que trabaje o intervenga en un circuito de refrigerante debe estar en posesión de un certificado válido de una autoridad de evaluación acreditada por la industria, que autorice su competencia para manipular refrigerantes de forma segura de acuerdo con una especificación de evaluación reconocida por la industria. Todo el entrenamiento debe seguir los requisitos del ANEXO HH de la UL 60335-2-40 4ta Edición.

Ejemplos de tales procedimientos de trabajo son:

- irrupción en el circuito frigorífico
- apertura de componentes sellados
- apertura de recintos ventilados
- Para evitar la ignición del refrigerante inflamable utilizado, no debe haber cerca del aparato ningún fuego abierto ni ningún dispositivo como interruptores que puedan generar chispas/arcos. Siga cuidadosamente las instrucciones para almacenar o mantener el aparato para evitar que se produzcan daños mecánicos.
- No utilice medios para acelerar la operación de descongelación o para limpiar que no sean los recomendados por el fabricante.
- El aparato debe almacenarse en una habitación sin fuentes de ignición de funcionamiento continuo (por ejemplo: llamas abiertas, un aparato de gas en funcionamiento) y fuentes de ignición o (por ejemplo: un calentador eléctrico en funcionamiento) cerca del aparato. El aparato debe almacenarse en un local sin fuentes de ignición en funcionamiento continuo (por ejemplo: llamas abiertas, un aparato de gas en funcionamiento o un calentador eléctrico en funcionamiento).
- No lo perforo ni lo quemé.
- Tenga en cuenta que los refrigerantes pueden no contener olor.

1. Transporte de equipos que contengan refrigerantes inflamables

Véase la normativa de transporte.

2. Señalización de los equipos mediante carteles

Véase la normativa local.

3. Eliminación de equipos que utilizan refrigerantes inflamables

Consulte la normativa nacional.

4. Almacenamiento de equipos/electrodomésticos

El almacenamiento del electrodoméstico debe estar de acuerdo con las regulaciones aplicables o las instrucciones, lo que sea más estricto.

5. Almacenamiento de material embalado (no vendido)

La protección del embalaje de almacenamiento debe realizarse de forma que los daños mecánicos al equipo dentro del embalaje no provoquen una fuga de la carga de refrigerante. La normativa local determinará el número máximo de equipos que pueden almacenarse juntos.

6. Información sobre el mantenimiento

1) Revisión del área

Antes de empezar a trabajar en sistemas que contengan refrigerantes inflamables, es necesario realizar comprobaciones de seguridad para garantizar que se reduzca al mínimo el riesgo de ignición. Para la reparación del sistema de refrigeración, se deberán tomar las siguientes precauciones antes de realizar trabajos en el sistema.

2) Procedimiento de trabajo

Los trabajos se realizarán según un procedimiento controlado para minimizar el riesgo de presencia de gases o vapores inflamables durante los mismos.

3) Área de trabajo general

Todo el personal de mantenimiento y otras personas que trabajen en la zona deberán recibir instrucciones sobre la naturaleza del trabajo que se está realizando. Se evitará trabajar en espacios confinados. Se seccionará la zona alrededor del espacio de trabajo. Cerciórese de que las condiciones dentro del área son seguras mediante el control del material inflamable.

4) Verificación de la presencia de refrigerante

Se comprobará la zona con un detector frigorífico adecuado antes y durante el trabajo, para garantizar que el técnico es consciente de la existencia de atmósferas potencialmente inflamables. Asegúrese de que el equipo de detección de fugas utilizado es adecuado para su uso con refrigerantes inflamables, es decir, que no produce chispas, está adecuadamente sellado o es intrínsecamente seguro.

5) Presencia de extintor de incendios

Si se va a realizar algún trabajo en caliente en el equipo de refrigeración o en alguna de las piezas asociadas, deberá tenerse a mano el equipo de extinción de incendios adecuado. Tenga un extintor de polvo seco o de CO₂ junto al área de carga.

6) Ausencia de fuentes de ignición

Ninguna persona que realice trabajos en relación con un sistema de refrigeración que implique la exposición de tuberías que contengan o hayan contenido refrigerantes inflamables utilizará fuentes de ignición de tal manera que pueda producirse un riesgo de incendio o explosión. Todas las posibles fuentes de ignición, incluido el consumo de cigarrillos, deberán mantenerse suficientemente alejadas del lugar de instalación, reparación, retirada y eliminación, durante las cuales es posible que se libere refrigerante inflamable al espacio circundante. Antes de empezar a trabajar, se deberá inspeccionar el área alrededor del equipo para asegurarse de que no hay riesgos de inflamación o ignición. Se colocarán señales de prohibido fumar.

8) Controles del equipo frigorífico

Cuando se cambien componentes eléctricos, deberán ser aptos para el fin previsto y cumplir las especificaciones correctas. Se seguirán en todo momento las directrices de mantenimiento y servicio del fabricante. En caso de duda, consulte al departamento técnico del fabricante. Se efectuarán las siguientes verificaciones en las instalaciones que utilicen refrigerantes inflamables:

La carga real de refrigerante es acorde con el tamaño de la sala en la que están instaladas las piezas que contienen refrigerante;

La maquinaria de ventilación y las salidas funcionan adecuadamente y no están obstruidas; Si se utiliza un circuito de refrigeración indirecto, se comprobará la presencia de refrigerante en el circuito secundario; El marcado del equipo sigue siendo visible y legible. La tubería o los componentes frigoríficos se instalarán en un lugar en el que sea improbable que queden expuestos a cualquier sustancia que pueda corroer los componentes que contengan refrigerante, a menos que los componentes estén fabricados con materiales que sean intrínsecamente resistentes a la corrosión o estén convenientemente protegidos contra ésta.

9) Controles de los dispositivos eléctricos

La reparación y el mantenimiento de los componentes eléctricos incluirán revisiones iniciales de seguridad y procedimientos de inspección de los componentes. Si existe un desperfecto que pueda comprometer la seguridad, no se conectará ningún suministro eléctrico al circuito hasta que se solucione satisfactoriamente. Si el fallo no puede corregirse inmediatamente pero es necesario continuar el funcionamiento, se utilizará una solución temporal adecuada. Esto se comunicará al propietario del equipo para que todas las partes estén informadas. Las verificaciones iniciales de seguridad incluirán:

Que los condensadores estén descargados: esto se hará de forma segura para evitar la posibilidad de chispas; Que no haya componentes eléctricos en tensión ni cableado expuesto mientras se carga, recupera o purga el sistema; Que haya continuidad de la conexión a tierra.

7. Reparación de componentes sellados

8. Reparación de componentes intrínsecamente seguros

9. Cableado

Compruebe que el cableado no estará sometido a desgaste, corrosión, presión excesiva, vibración, bordes afilados o cualquier otro efecto ambiental adverso. La comprobación también tendrá en cuenta los efectos del envejecimiento o la vibración continua de fuentes como compresores o ventiladores.

10. Detección de refrigerantes inflamables

En ningún caso se utilizarán fuentes potenciales de ignición en la búsqueda o detección de fugas de refrigerante. No se utilizará un soplete de halógenos (ni ningún otro detector que utilice una llama desnuda).

Los siguientes métodos de detección de fugas se consideran aceptables para los sistemas que contienen refrigerantes inflamables. Se utilizarán detectores electrónicos de fugas para detectar refrigerantes inflamables, pero es posible que la sensibilidad no sea la adecuada o que haya que recalibrarlos.

(El equipo de detección se calibrará en una zona libre de refrigerantes). Asegúrese de que el detector no es una fuente potencial de ignición y es adecuado para el refrigerante utilizado. El equipo de detección de fugas se ajustará a un porcentaje del LFL del refrigerante y se calibrará para el refrigerante empleado y se confirmará el porcentaje adecuado de gas (25 % como máximo). Los líquidos de detección de fugas son adecuados para la mayoría de los refrigerantes, pero debe evitarse el uso de detergentes que contengan cloro, ya que éste puede reaccionar con el refrigerante y corroer las tuberías de cobre. Si se sospecha una fuga, se retirarán/extinguirán todas las llamas desnudas. Si se detecta una fuga de refrigerante que requiera soldadura, se recuperará todo el refrigerante del sistema o se aislará (cerrando las válvulas) en una parte del sistema alejada de la fuga. La extracción del refrigerante se realizará de acuerdo con la sección Extracción y evacuación.

11. Remoción y evacuación

Al acceder al circuito de refrigeración para realizar reparaciones, o con cualquier otro propósito, se seguirán los procedimientos convencionales. Sin embargo, en el caso de refrigerantes inflamables es importante seguir las mejores prácticas, ya que la inflamabilidad es un factor a tener en cuenta. Se seguirá el siguiente procedimiento:

- a) elimine el refrigerante de forma segura siguiendo la normativa local y nacional;
- b) purgue el circuito con gas inerte;
- c) evacuar (opcional para A2L);
- d) purgar con gas inerte (opcional para A2L);
- e) abra el circuito cortándolo o soldándolo.

La carga de refrigerante se recuperará en los cilindros de recuperación correctos si la ventilación no está permitida por los códigos locales y nacionales. Para los electrodomésticos que contengan refrigerantes inflamables, el sistema debe ser purgado con nitrógeno libre de oxígeno para hacer que el electrodoméstico sea seguro para los refrigerantes inflamables. Es posible que este proceso deba repetirse varias veces. No se utilizará aire comprimido ni oxígeno para purgar los sistemas de refrigerantes. En el caso de aparatos que contengan refrigerantes inflamables, la purga de refrigerantes se realizará rompiendo el vacío en el sistema con nitrógeno libre de oxígeno y continuando el llenado hasta alcanzar la presión de trabajo, ventilando a continuación a la atmósfera y, por último, reduciendo el vacío (opcional para A2L). Este proceso se repetirá hasta que no quede refrigerante en el sistema (opcional para A2L). Cuando se utilice la carga final de nitrógeno libre de oxígeno, el sistema se purgará hasta la presión atmosférica para permitir que se realice el trabajo. Asegúrese de que la salida de la bomba de vacío no está cerca de ninguna fuente potencial de ignición y de que se dispone de ventilación.

12. Procedimientos de carga

Además de los procedimientos de carga convencionales, se seguirán los siguientes requisitos. Al utilizar el equipo de carga, asegúrese de que no se produce contaminación de los distintos refrigerantes. Las mangueras o líneas serán lo más cortas posible para minimizar la cantidad de refrigerante que contienen. Las botellas se mantendrán en una posición adecuada de acuerdo con las instrucciones.

Verifique que el sistema de refrigeración esté conectado a tierra antes de recargarlo con refrigerante. Etiquete el sistema cuando la carga esté completa (si no lo está ya). Deberán extremarse las precauciones para no llenar en exceso el sistema de refrigeración. Antes de recargar el sistema, se someterá a una prueba de presión con nitrógeno libre de oxígeno. El sistema se someterá a una prueba de estanqueidad una vez finalizada la carga de forma previa a la puesta en servicio. Se realizará una prueba de fugas de seguimiento antes de abandonar el lugar de trabajo

13. Desmantelamiento

Antes de llevar a cabo este procedimiento, es esencial que el técnico esté completamente familiarizado con el equipo y todos sus detalles. Se recomienda como buena práctica que todos los refrigerantes se recuperen de forma segura. Antes de realizar la tarea, se tomará una muestra de aceite y refrigerante por si fuera necesario realizar un análisis antes de reutilizar el refrigerante recuperado. Es esencial que se disponga de energía eléctrica antes de comenzar la tarea.

- a) Deberá familiarizarse con el equipo y su funcionamiento.
- b) Aislar eléctricamente el sistema.
- c) Antes de intentar el procedimiento asegúrese de que: Se dispone de equipos de manipulación mecánica, si es necesario, para manipular los cilindros de refrigerante; todo el equipo de protección personal esté disponible y se utilice correctamente; el proceso de recuperación esté supervisado en todo momento por una persona competente; el equipo de recuperación y los cilindros se ajusten a las normas apropiadas.
- d) Bombee el sistema de refrigeración, si es posible.
- e) Si no es posible lograr el vacío, consiga un colector para poder extraer el refrigerante de las distintas partes del sistema.
- f) Asegúrese de que el cilindro esté ubicado en la balanza antes de proceder a la recuperación.
- g) Ponga en marcha la máquina de recuperación y hágala funcionar de acuerdo con las instrucciones.
- h) No sobrellene los cilindros. (No más del 80 % de volumen de carga líquida).
- i) No exceda la presión de trabajo máxima del cilindro, ni siquiera temporalmente.
- j) Una vez que los cilindros se hayan llenado correctamente y el proceso haya finalizado, asegúrese de que los cilindros y el equipo se retiren rápidamente del lugar y de que se cierren todas las válvulas de aislamiento del equipo.
- k) El refrigerante recuperado no debe cargarse en otro sistema de refrigeración a menos que se haya limpiado y revisado.

14. Etiquetado

El equipo se etiquetará indicando que ha sido retirado de servicio y vaciado de refrigerante. La etiqueta deberá estar fechada y firmada. Asegúrese de que el equipo tenga etiquetas que indiquen que contiene refrigerante inflamable.

15. Recuperación

Al retirar el refrigerante de un sistema, ya sea para su mantenimiento o desmantelamiento, se recomienda como buena práctica que todos los refrigerantes se retiren de forma segura.

Al trasvasar refrigerante a botellas, asegúrese de que sólo se utilizan botellas de recuperación de refrigerante adecuadas.

Asegúrese de que se dispone del número correcto de botellas para la carga total del sistema. Todos los cilindros que se utilicen estén designados para el refrigerante recuperado y etiquetados para ese refrigerante (es decir, cilindros especiales para la recuperación de refrigerante). Los cilindros deberán estar completos con válvula de alivio de presión y válvulas de cierre asociadas en buen estado de funcionamiento. Los cilindros vacíos deben evacuarse y, si es posible, enfriarse antes de la recuperación. Los equipos de recuperación deben estar en buen estado de funcionamiento, contar con un conjunto de instrucciones que esté a mano y ser aptos para la recuperación de refrigerantes inflamables. Además, es necesario contar con un conjunto de balanzas calibradas que funcionen correctamente. Las mangueras deberán estar completas, con acoplamientos de desconexión sin fugas y en buen estado.

Antes de utilizar el equipo de recuperación, compruebe que funciona correctamente, que se ha sometido a un mantenimiento adecuado y que todos los componentes eléctricos asociados están sellados para evitar la ignición en caso de fuga de refrigerante. En caso de duda, consulte al fabricante. El refrigerante recuperado se devolverá al proveedor en el cilindro de recuperación correcto, al que se adjuntará la correspondiente nota de transferencia de residuos.

No mezcle refrigerantes en las unidades de recuperación y especialmente en los cilindros. Si se deben retirar los compresores o su aceite, asegúrese de que hayan sido evacuados a un nivel aceptable para que no quede refrigerante inflamable en el lubricante. El proceso de evacuación se llevará a cabo antes de devolver el compresor a los proveedores. Para acelerar este proceso, solamente se empleará el calentamiento eléctrico del cuerpo del compresor. Sea cuidadoso al drenar el aceite del sistema.

Los aparatos no conectados a conductos que contengan refrigerantes A2L con las aberturas de impulsión y retorno de aire en el espacio acondicionado pueden tener el cuerpo del aparato puede instalarse en zonas abiertas como falsos techos que no se utilicen como plenums de aire de retorno, siempre que el aire acondicionado no se comunique directamente con el aire del falso techo.

Antes de empezar

Preparativos para la instalación



La instalación debe realizarse siguiendo estrictamente las instrucciones de este manual.



La instalación de su aire acondicionado debería durar unos 30 minutos.



Recomendamos hacerlo con un ayudante.



Estamos aquí si nos necesita. Póngase en contacto con su distribuidor local para obtener ayuda.

! RANGO DE TEMPERATURA AMBIENTE PARA EL FUNCIONAMIENTO DE LA UNIDAD

MODO	Rango de temperatura	MODO	Rango de temperatura
Fresco	16-35°C (60-95°F)	Calor (modo bomba de calor)	5-30°C (41-86°F)
Seco	13-35°C (55-95°F)	Calor (modo de calor eléctrico)	≤ 30 °C (86 °F)

Conozca su tipo de móvil Aire acondicionado

Información sobre la clasificación energética

La clasificación energética y la información sobre el ruido de esta unidad se basan en la instalación estándar utilizando un conducto de escape sin prolongar y sin adaptador deslizante de ventana (como se muestra en la sección Instalación de este manual). Al mismo tiempo, la unidad debe funcionar en MODO FRÍO y ALTA VELOCIDAD DEL VENTILADOR mediante el mando a distancia.

La unidad con 3 metros de conducto de escape extendido se hace mediante el uso de 2 conductos de escape (diámetro: 150 mm, longitud: 1.5 m + diámetro: 130 mm, longitud: 1.5 m). La clasificación energética y la información de ruido para la unidad con conducto de escape extendido de 3 metros no se evalúan. (Para algunos modelos)

NOTA:

Se recomienda utilizar la unidad a una temperatura ambiente inferior a 35 °C. Dado que existe el riesgo de que la unidad con un conducto de escape extendido de 3 metros no funcione a una temperatura ambiente superior a 35 °C en algunas condiciones extremas, como en el caso de que la entrada de aire inferior se bloquee en un 50 %.

Cómo mantenerse fresco con este nuevo aire acondicionado portátil (Para los modelos que cumplen con los requisitos del Departamento de Energía de EE. UU.)

Debido a un nuevo procedimiento de prueba federal para Acondicionadores de Aire Portátiles, puede notar que las afirmaciones de capacidad de enfriamiento en el embalaje del acondicionador de aire portátil son significativamente más bajas que las de los modelos producidos antes de 2017. Esto se debe a los cambios en el procedimiento de prueba, no a los acondicionadores de aire portátiles en sí.

Cómo comprar un aire acondicionado de tipo portátil.

El aire acondicionado adecuado ayuda a enfriar una habitación de forma eficiente. Una unidad de tamaño insuficiente no enfriará adecuadamente, mientras que una demasiado grande no eliminará suficiente humedad, dejando el aire húmedo. Para encontrar el aire acondicionado adecuado, determine los metros cuadrados de la habitación que desea enfriar multiplicando la longitud de la habitación por su anchura. También debe conocer el valor nominal en BTU (unidades térmicas británicas) del aire acondicionado, que indica la cantidad de calor que puede eliminar de una habitación. Una cifra más alta significa más potencia de refrigeración para una habitación más grande. (Asegúrese de comparar sólo los modelos más nuevos entre sí; los modelos más antiguos pueden parecer de mayor capacidad, pero en realidad son iguales). Asegúrese de "dimensionar" si su aire acondicionado portátil se va a colocar en una habitación muy soleada, en una cocina o en una habitación con techos altos. Una vez que haya encontrado la capacidad de refrigeración adecuada para su habitación, puede fijarse en otras características.

Por qué los productos más nuevos tienen menor capacidad de refrigeración que los modelos más antiguos.

La normativa federal obliga a los fabricantes a calcular la capacidad de refrigeración basándose en un procedimiento de ensayo específico, que se ha modificado este mismo año. Los modelos fabricados antes de 2017 se sometieron a pruebas con un procedimiento diferente y la capacidad de refrigeración se mide de forma distinta a la de los modelos de años anteriores. Por tanto, aunque los valores en BTU sean inferiores, la capacidad real de refrigeración de los aparatos de aire acondicionado no ha cambiado.

¿Qué es la SACC?

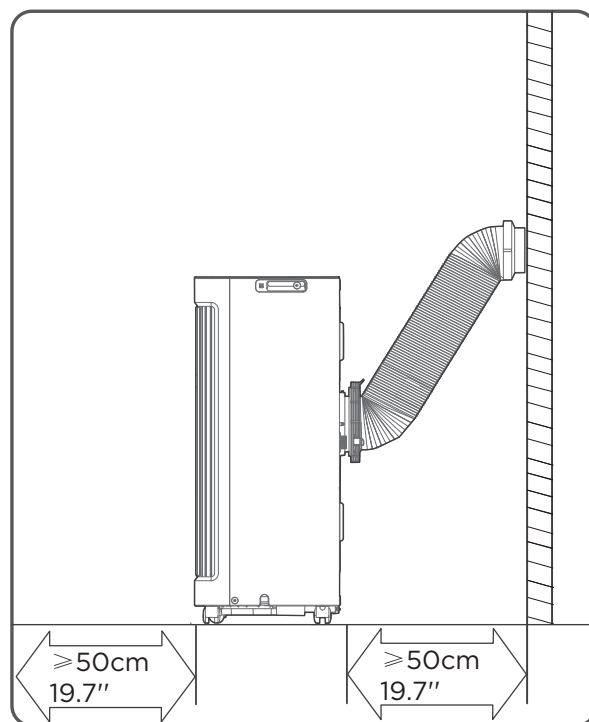
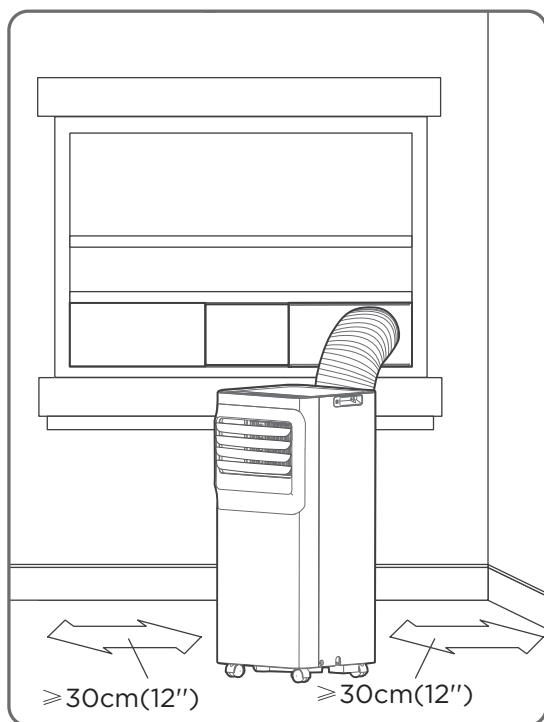
SACC es el valor representativo de la capacidad de refrigeración ajustada estacionalmente, en Btu/h, determinado de acuerdo con el procedimiento de prueba del DOE en el título 10 del Código de Reglamentos Federales (CFR) 430, subparte B, apéndice CC y los planes de muestreo aplicables.

LUGAR DE INSTALACIÓN DEL PRODUCTO

El lugar de instalación debe cumplir los siguientes requisitos:

- Asegúrese de instalar la unidad sobre una superficie plana para minimizar el ruido y las vibraciones.
- La unidad debe instalarse cerca de un enchufe con toma de tierra, y el desagüe de la bandeja de recogida (que se encuentra en la parte posterior de la unidad) debe ser accesible.
- La unidad debe estar situada al menos a 30 cm (12") de la pared más cercana para garantizar una correcta climatización. La salida de aire de la unidad debe estar al menos a 50cm (19,7") de obstáculos.
- NO cubra las Entradas, Salidas o el Receptor de Señal Remota de la unidad, ya que esto podría causar daños a la unidad.

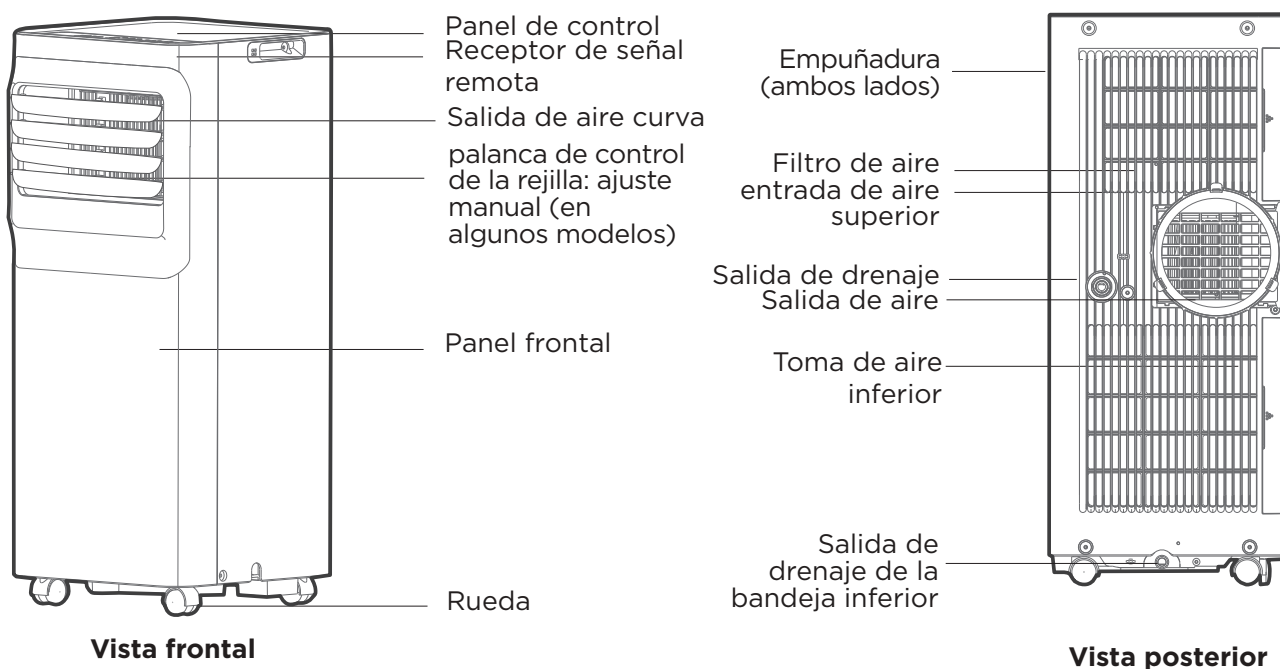
Ubicación de instalación de la unidad Requisitos de espacio restringido



Descripción del producto

NOTA SOBRE LAS ILUSTRACIONES:

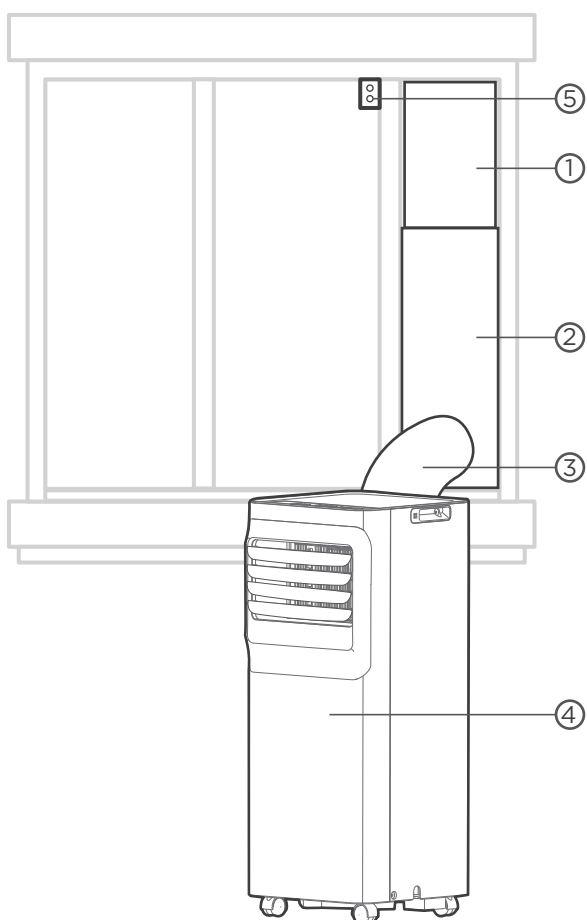
Todas las ilustraciones del manual son solo para fines explicativos. El aparato puede ser ligeramente diferente. La apariencia real prevalecerá. El funcionamiento de la unidad se puede controlar a través del panel de control o del control remoto.



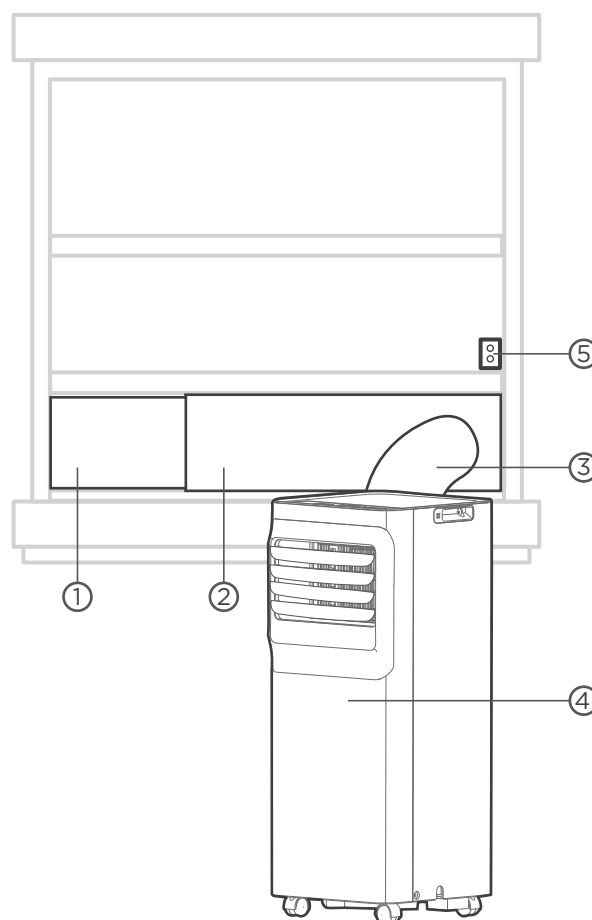
● Aviso sobre el diseño
Con el fin de garantizar el rendimiento óptimo de nuestros productos, las especificaciones de diseño de la unidad y el mando a distancia están sujetas a cambios sin previo aviso.

Vista general de la instalación

Pantalla de finalización de la instalación



Instalación de ventanas correderas



Instalación de Ventanas Colgadas

- ① Conjunto de deslizadores de ventanas
- ②
- ③ Manguera de escape extendida
- ④ Unidad de aire acondicionado
- ⑤ Soporte de seguridad y 2 tornillos

● NOTA

Las ilustraciones de este manual tienen fines explicativos. La apariencia real de su unidad interior puede ser ligeramente diferente. La apariencia real prevalecerá.

Lista de herramientas de instalación (no incluidas)



Destornillador y llave inglesa



Lápiz



Una cinta métrica



Tijeras o cuchillo



Sierra (En algunos modelos, para acortar el adaptador para ventanas estrechas)

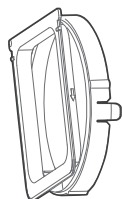
Accesorios de instalación

NOTA

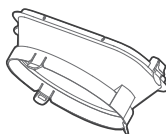
Los elementos con (*) se encuentran en algunos modelos. Pueden producirse ligeras variaciones en el diseño.

El kit de instalación de ventanas es adaptable a ventanas de 19,4"-62,2" (49,3-158,1 cm).

Norteamérica



Adaptador de unidad (1 ud.)



Conducto de escape de aire (1 ud.)*



Junta de espuma A (adhesiva) 4 uds. (*)



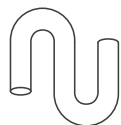
Junta de espuma B (adhesiva) 2 uds.



Junta de espuma C (no adhesiva) 2 uds. (*)



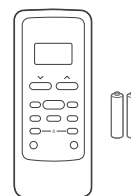
Soporte de seguridad y 2 tornillos (1 juego*)



Manguera de drenaje (1 ud.)



Manguera de escape



Control remoto y pila (solo para modelos con control remoto) (1 juego*)



Tornillo (3 ud.)*



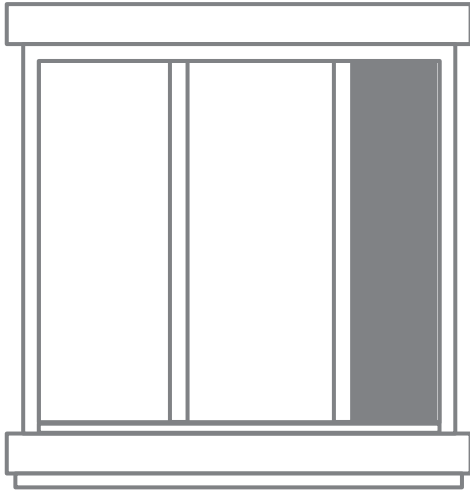
Adaptador deslizante de ventana A (1 ud.)

Adaptador deslizante de ventana B (1 ud.)

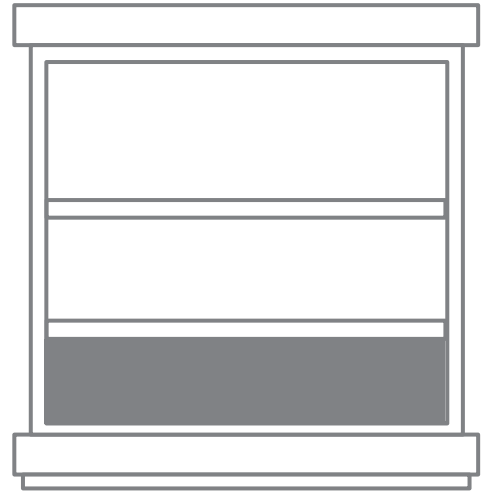
Adaptador deslizante de ventana C (1 ud.)*

Adaptador deslizante de ventana D (1 ud.)*

Confirme su tipo de ventana (tipo de ventana y tamaño de apertura)

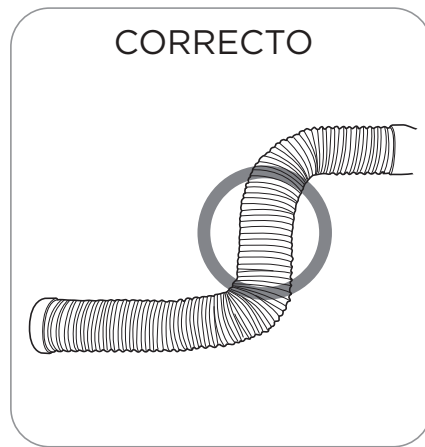
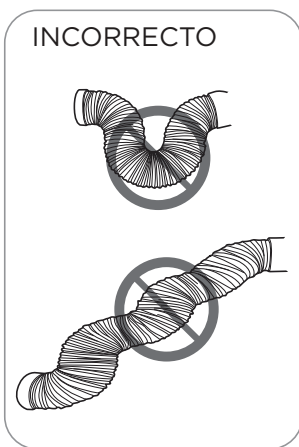


Instalación de ventanas correderas



Instalación de Ventanas Colgadas

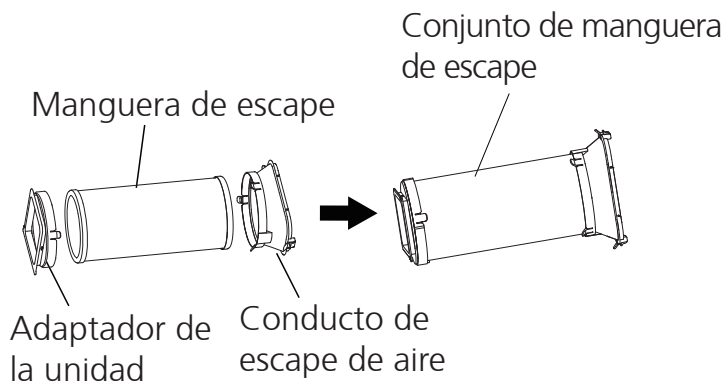
Para un funcionamiento óptimo



NOTA:

Para garantizar un funcionamiento correcto, NO extienda ni doble excesivamente la manguera. Asegúrese de que no hay ningún obstáculo alrededor de la salida de aire de la manguera de escape (en el rango de 500 mm) para que el sistema de escape funcione correctamente. Todas las ilustraciones del manual son solo para fines explicativos. Su aire acondicionado puede ser ligeramente diferente. La apariencia real prevalecerá.

1. Instalación de la manguera de escape y adaptadores

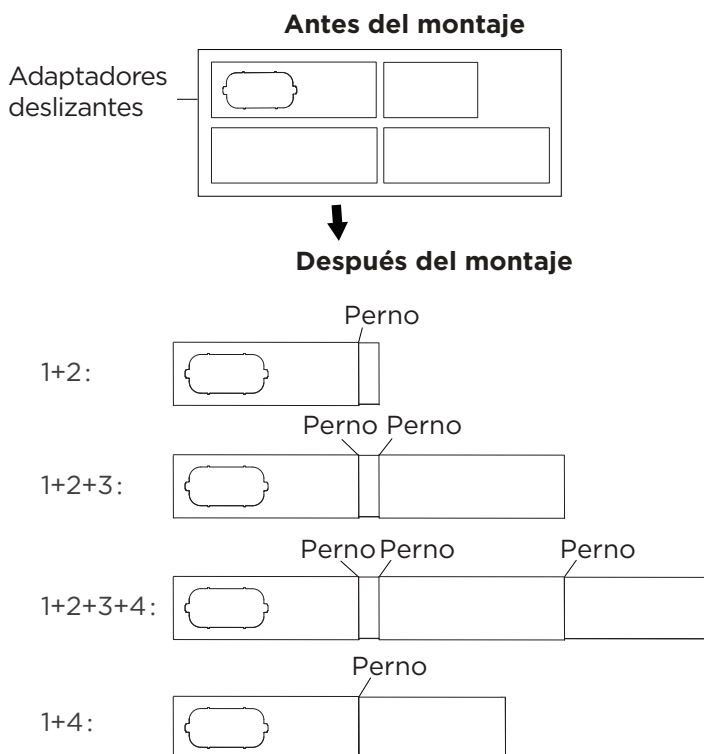


Presione la manguera de escape (o la manguera de escape extendida) en el adaptador deslizante de la ventana y el adaptador de la unidad, sujete automáticamente por las hebillas elásticas de los adaptadores.

NOTA:

Instale el conjunto de la manguera de escape de acuerdo con los accesorios de su kit.

2. Preparación de la corredera ajustable de la ventana



Elija los deslizadores de ventana de acuerdo con el tamaño de su ventana. A veces, es necesario acortarlo para que se ajuste al tamaño de la ventana.

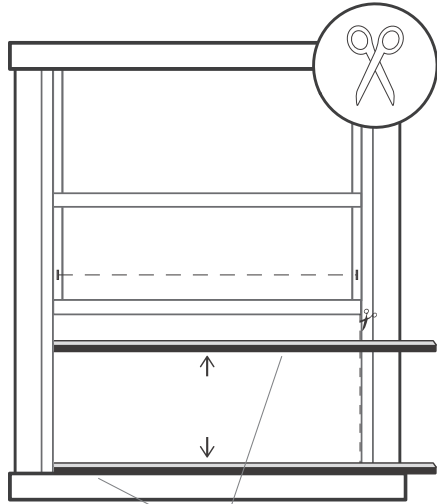
Utilice pernos para fijar los deslizadores de ventana una vez que estén ajustados a la longitud adecuada.

NOTA:

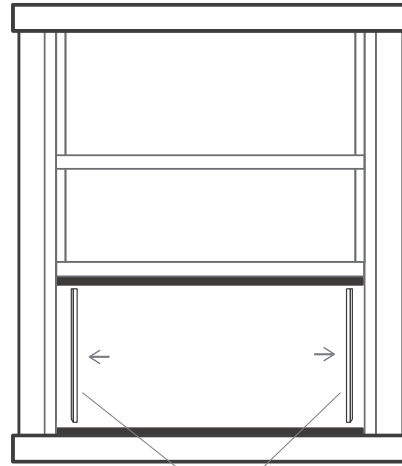
Por favor, base la instalación de su deslizador de ventana en los accesorios de su kit y en el ancho de su ventana.

3. Sellado completo de la ventana

Corte las tiras de junta de espuma adhesiva A y B a las longitudes adecuadas, y fíjelas a la hoja y al marco de la ventana como se muestra.

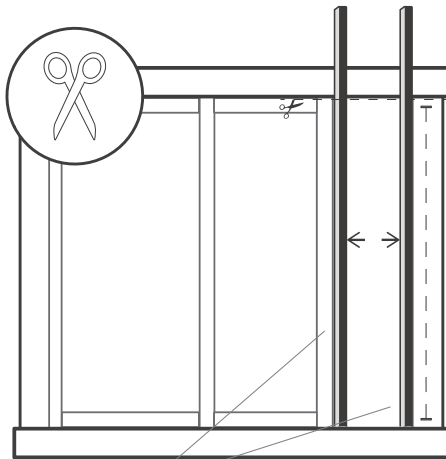


Junta de espuma A
(adhesiva)

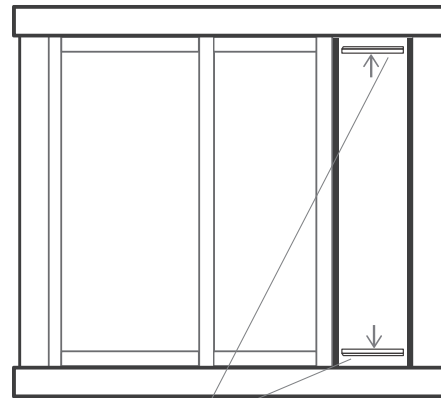


Junta de espuma B
(adhesiva, más corta)

Instalación de Ventanas Colgadas



Junta de espuma A
(adhesiva)



Junta de espuma B
(adhesiva, más corta)

Instalación de ventanas correderas

4. Instalación de Ventanas Colgadas

Paso 1:

Inserte el conjunto de la corredera de la ventana en el hueco de la ventana.

Paso 2:

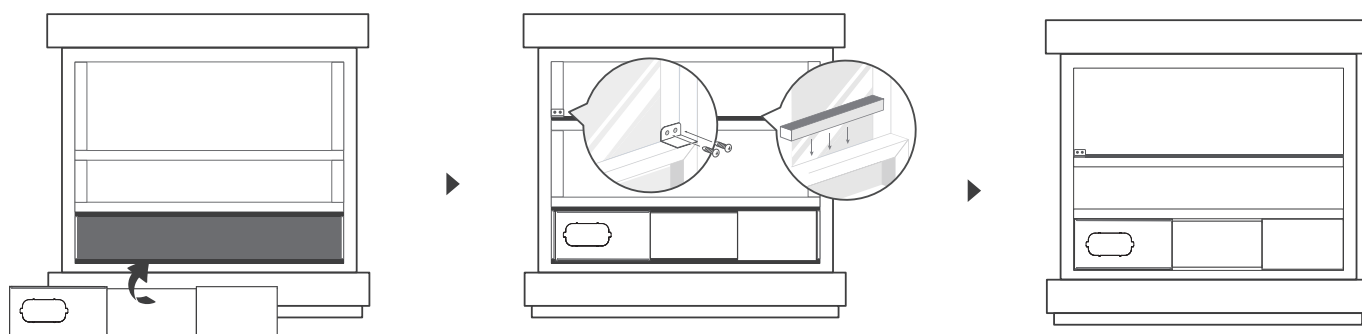
Corte la tira de espuma de sellado no adhesiva C para que coincida con la anchura de la ventana. Introduzca la junta entre el cristal y el marco de la ventana para evitar la entrada de aire e insectos en la habitación.

Paso 3:

Si lo desea, instale el soporte de seguridad con 2 tornillos, tal como se muestra.

NOTA:

Una vez preparados el conjunto de la manguera de escape y la corredera ajustable de la ventana, elija uno de los dos métodos de instalación siguientes.



5. Instalación de ventanas correderas

Paso 1:

Inserte el conjunto de la corredera de la ventana en el hueco de la ventana.

Paso 2:

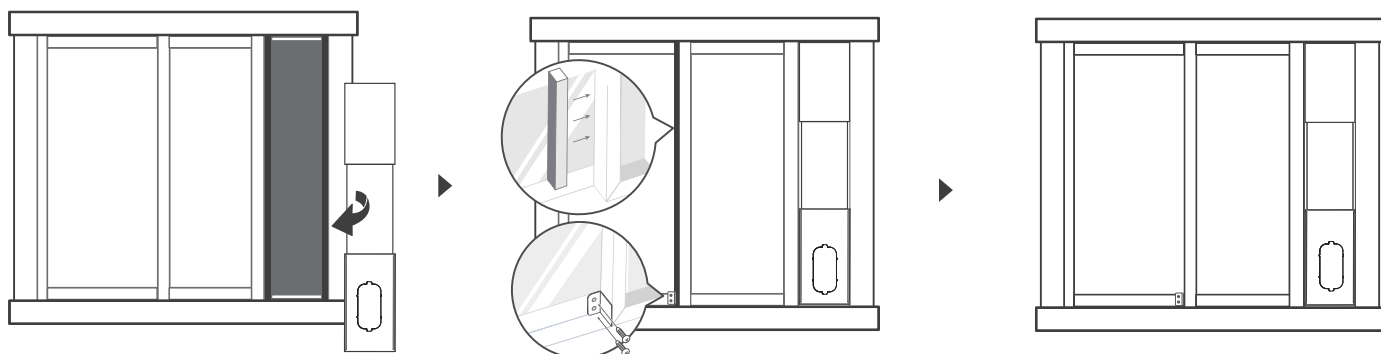
Corte la tira C de junta de espuma no adhesiva para que coincida con la altura de la ventana. Introduzca la junta entre el cristal y el marco de la ventana para evitar la entrada de aire e insectos en la habitación.

Paso 3:

Si lo desea, instale el soporte de seguridad con 2 tornillos, tal como se muestra.

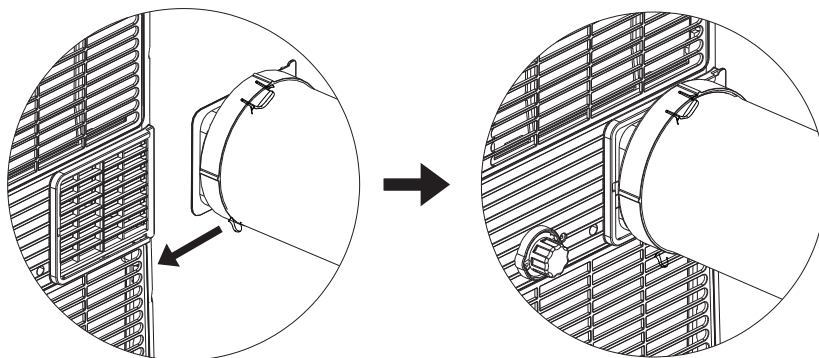
NOTA:

Una vez preparados el conjunto de la manguera de escape y la corredera ajustable de la ventana, elija uno de los dos métodos de instalación siguientes.



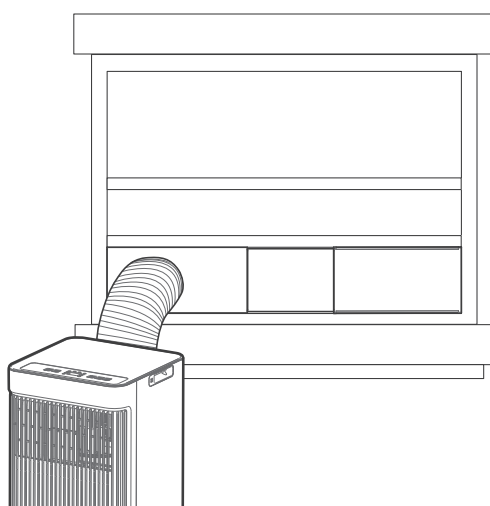
6. Instale el conjunto de la manguera de escape en la unidad

Introduzca la manguera de escape en la abertura de salida de aire de la unidad siguiendo la dirección de la flecha.

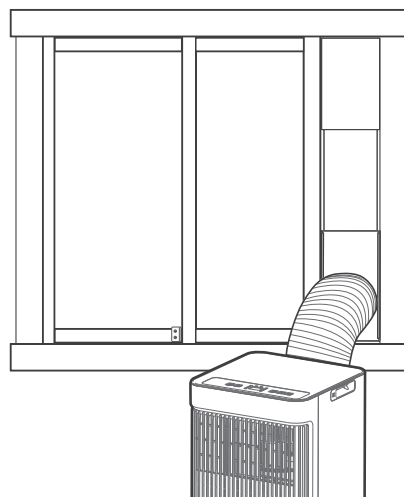


7. Conecte el adaptador a la unidad y a la ventana

Inserte el adaptador de la ventana corredera en el orificio de la ventana corredera.



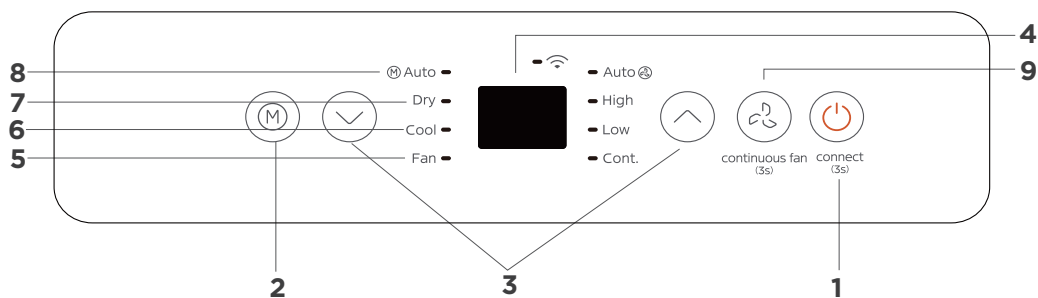
Instalación de Ventanas Colgadas



Instalación de ventanas correderas

Conozca su aire acondicionado

Instrucciones de funcionamiento del control electrónico



1. Botón POWER

Interruptor de encendido y apagado.

Se utiliza para activar la función inalámbrica. La primera vez que se utiliza la función inalámbrica, Presione el botón POWER durante 3 segundos para activar el modo de conexión inalámbrica. La pantalla LED muestra "ap", lo que significa que puede configurar una conexión inalámbrica. Si la conexión (enrutador) tiene éxito en 8 minutos, el dispositivo saldrá automáticamente del modo de conexión inalámbrica y se encenderá el indicador inalámbrico.

Si la conexión falla en 8 minutos, el dispositivo saldrá automáticamente del modo de conexión inalámbrica.

Después de que la conexión inalámbrica sea exitosa, puede presionar los botones Swing y down (-) durante 3 segundos al mismo tiempo para activar la función inalámbrica, y la pantalla LED muestra "de" durante 3 segundos. Presione los botones POWER y up (+) al mismo tiempo para activar la función inalámbrica, LED Display muestra "on" (on) durante 3 segundos

NOTE: Al reiniciar la función inalámbrica, puede tomar un tiempo para que el dispositivo se conecte automáticamente a la red.

2. Función MODE

Seleccione el modo de funcionamiento adecuado. Cada vez que se presiona el botón, se selecciona el modo en la secuencia AUTO (AUTOMÁTICO), DRY (DESHUMIDIFICADOR), COOL (FRÍO) y FAN (VENTILADOR). La luz indicadora de modo se ilumina bajo los diferentes indicadores de modo.

NOTE: En el modo AUTO, la velocidad del VENTILADOR se ajustará automáticamente.

3. Botones ARRIBA y ABAJO

Permite ajustar (aumentar o disminuir) la temperatura en intervalos de 1 °C/2 °F (o 1 °F) en un rango de 16 °C/60 °F a 30 °C/88 °F (o 86 °F).

NOTA: El control es capaz de mostrar la temperatura en grados Fahrenheit o grados Celsius. Para convertir de uno a otro, mantenga pulsados los botones Arriba y Abajo al mismo tiempo durante 3 segundos.

4. Pantalla

Muestra la temperatura ajustada mientras está en modo Frío, o Auto. Muestra la temperatura ambiente en los modos DRY (DESHUMIDIFICADOR) y FAN (VENTILADOR).

Muestra los códigos de error:

EH00-Error de EEPROM.

EH60-Error del sensor de temperatura ambiente.

EH61-Error del sensor de temperatura del evaporador.

EC52-Error del sensor de temperatura del condensador (en algunos modelos).

EH0b-Error de comunicación del panel de visualización.

EC-Mal funcionamiento de la detección de fugas de refrigerante (en algunos modelos).

Muestra el código de protección:

P1-Bandeja inferior llena--Conecte la manguera de drenaje y drene el agua recogida.

Si la protección se repite, llame al servicio técnico.

NOTA: Cuando se produzca una de las fallas anteriores, apague la unidad y verifique que no haya obstrucciones. Si la falla persiste, apague la unidad y desenchufe el cable de alimentación. Póngase en contacto con el fabricante o con el centro de servicio técnico o una persona calificada similar.

5. Función VENTILADOR

Presione para controlar la velocidad del ventilador en cuatro pasos HIGH (ALTO), LOW (BAJO), Cont (Continuo) y AUTO (AUTOMÁTICO). La luz indicadora de la velocidad del ventilador se ilumina de acuerdo a los diferentes ajustes del ventilador.

6. Modo COOL

Pulse el botón "MODE" hasta que se encienda la luz indicadora "Cool". Pulse los botones ADJUST "+" o "-" para seleccionar el modo COOL (FRÍO).

7. Modo DRY

Pulse el botón "MODE" hasta que se encienda la luz indicadora "Dry". En este modo no es posible ajustar la velocidad del ventilador ni la temperatura. El motor del ventilador funciona a velocidad automática.

NOTA: Mantenga las ventanas y puertas cerradas para obtener el mejor efecto deshumidificador. No coloque el conducto en la ventana.

8. Modo AUTO

Pulse el botón "MODE" hasta que se encienda la luz indicadora "Auto". En este modo, la velocidad del ventilador o la temperatura se ajustarán automáticamente.

9. Función de ventilador continuo

En modo COOL (FRÍO) o DRY (DESHUMIDIFICADOR), pulse el botón Fan (Ventilador) durante 3 segundos para activar o desactivar la función de ventilador continuo. Cuando la función está encendida, la luz del ventilador Cont. (Continuo) se iluminará, indicando que el ventilador funcionará de forma continua. Cuando la función está desactivada, la luz del ventilador Cont. (Continuo) se apagará, indicando que el ventilador se detendrá cuando el compresor se pare.

10. Otras características

COMFORT SENSE (En algunos modelos)

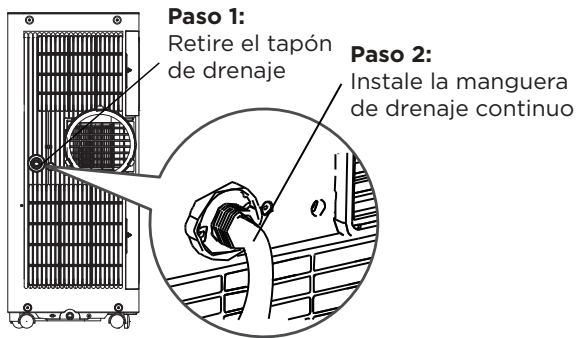
Esta función solamente puede activarse desde el control remoto. No hay indicador luminoso en el panel de control. El control remoto hace las veces de termostato remoto, lo que permite controlar con precisión la temperatura en su ubicación.

Para activar la función Comfort Sense, apunte con el mando a distancia hacia la unidad y pulse el botón Comfort Sense. El mando a distancia enviará esta señal al aparato hasta que vuelva a pulsar el botón Comfort Sense. Si la unidad no recibe la señal de seguimiento de temperatura durante un intervalo de 7 minutos, la unidad saldrá del modo de seguimiento de temperatura.

NOTA: Esta función no está disponible en los modos FAN (VENTILADOR) o DRY (DESHUMIDIFICADOR).

Guía de drenaje

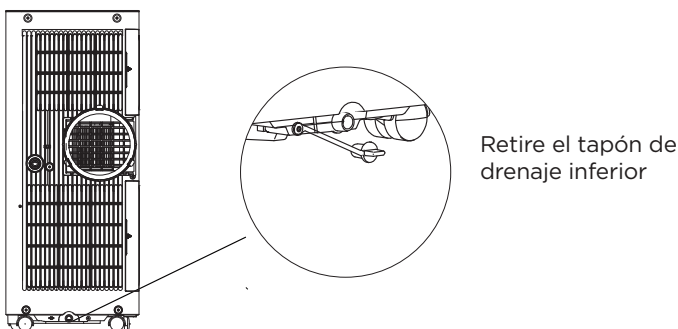
Modo deshumidificación Guía de drenaje



Durante los modos de deshumidificación, retire el tapón de drenaje de la parte posterior de la unidad, instale el conector de drenaje (5/8" hembra universal) con una manguera de 3/4" (adquirida localmente). Para los modelos sin conector de drenaje, simplemente conecte la manguera de drenaje al orificio. Coloque el extremo abierto de la manguera directamente sobre la zona de desagüe del suelo del sótano.

NOTA: Asegúrese de que la manguera esté segura para que no haya fugas. Dirija la manguera hacia el desagüe, asegurándose de que no haya dobleces que detengan el flujo de agua. Coloque el extremo de la manguera en el desagüe y asegúrese de que el extremo de la manguera esté hacia abajo para que el agua fluya suavemente. Cuando no se utilice la manguera de drenaje continuo, asegúrese de que el tapón y el pomo de drenaje están instalados firmemente para evitar fugas.

Bandeja de recogida de agua Guía de drenaje



Cuando el nivel de agua de la bandeja inferior alcanza un nivel predeterminado, la unidad emite 8 pitidos, el área de visualización digital muestra "P1". En este momento, el proceso de aire acondicionado/deshumidificación se detendrá inmediatamente.

Sin embargo, el motor del ventilador continuará funcionando (esto es normal). Mueva con cuidado la unidad a un lugar de drenaje, retire el tapón de drenaje inferior y deje que el agua se drene. Vuelva a colocar el tapón de drenaje inferior y reinicie la máquina hasta que desaparezca el símbolo "P1". Si el error persiste, póngase en contacto con el servicio técnico.

NOTA: Asegúrese de volver a instalar firmemente el tapón de drenaje inferior para evitar fugas antes de utilizar la unidad.

Limpieza y mantenimiento

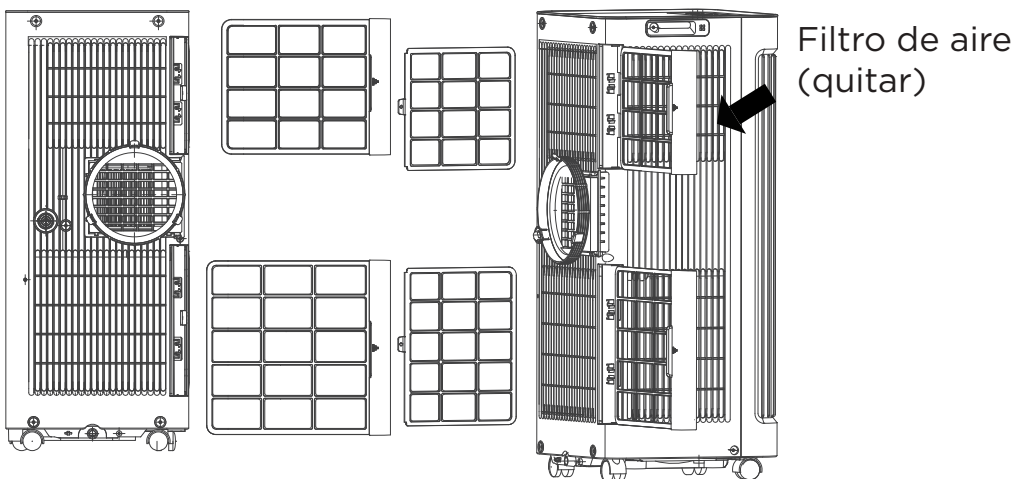
Cómo limpiar y mantener su aire acondicionado.

Limpieza del filtro de aire y de la carcasa

Limpie la unidad con un paño húmedo sin pelusas y detergente suave. Seque la unidad con un paño seco sin pelusas.

Consejos de Mantenimiento

- Asegúrese de limpiar el filtro de aire cada 2 semanas para un rendimiento óptimo.
- La bandeja de recogida de agua debe vaciarse inmediatamente después de que se produzca el error P1 y antes de guardarla para evitar la formación de moho.
- En los hogares con animales, tendrá que limpiar periódicamente la rejilla para evitar el bloqueo del flujo de aire debido al pelo de los animales.



Retire el filtro de aire



PRECAUCIÓN:

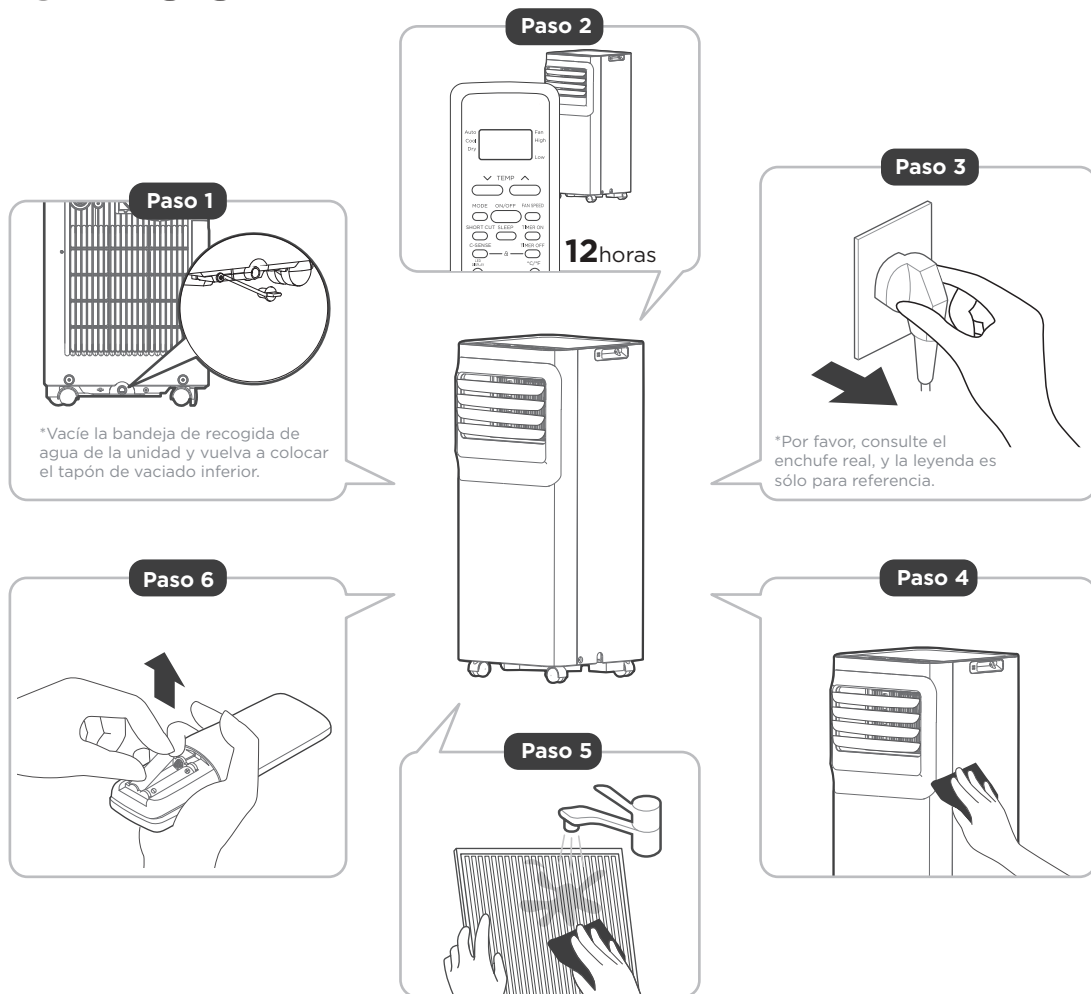
NO haga funcionar la unidad sin filtro porque la suciedad y la pelusa lo obstruirán y reducirán su rendimiento.



PRECAUCIÓN:

- Desenchufe siempre la unidad antes de limpiarla o repararla.
- NO utilice líquidos inflamables o productos químicos para limpiar la unidad.
- NO lave la unidad con agua corriente. De lo contrario, podría producirse un cortocircuito.
- NO utilice la máquina si la fuente de alimentación se ha dañado durante la limpieza. Un cable de alimentación dañado debe reemplazarse por un cable nuevo del fabricante.

Guarde la unidad cuando no la utilice



NOTA

- Asegúrese de guardar la unidad en un lugar fresco y oscuro. La exposición directa al sol o al calor extremo puede acortar la vida útil de la unidad.
 - El gabinete y el frente pueden limpiarse con un paño libre de aceite o lavarse con un paño humedecido en una solución de agua tibia y detergente para platos suave. Enjuagar bien y secar con un paño. No utilice nunca limpiadores abrasivos, cera ni abrillantadores en la parte frontal del gabinete. Asegúrese de escurrir el exceso de agua del paño antes de limpiar alrededor de los controles. El exceso de agua en los controles o alrededor de ellos puede causar daños a la unidad.
- Vacíe la bandeja de recolección de agua de la unidad de acuerdo con las instrucciones de la siguiente sección.
 - Haga funcionar el aparato en modo FAN (VENTILADOR) durante 12 horas en una habitación cálida para secarlo y evitar la formación de moho.
 - Apague el aparato y desenchúfelo.
 - Limpie el filtro de aire según las instrucciones de la sección anterior. Vuelva a instalar el filtro limpio y seco antes de guardarlo.
 - Retire las pilas del mando a distancia.

RESOLUCIÓN DE PROBLEMAS

Resolución de problemas

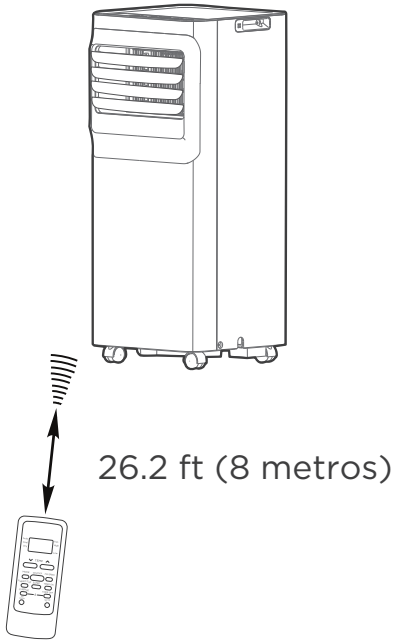
Problemas comunes

Los siguientes problemas no significan un mal funcionamiento y en la mayoría de los casos no requieren reparación.

Problema	Posible Causas	Solución
La unidad no se enciende al presionar el botón ON/OFF (ENCENDIDO/APAGADO)	P1 Código de protección	La bandeja de recolección de agua está llena. Apague la unidad, drene el agua de la bandeja de recolección de agua y reinicie la unidad.
	En modo COOL (FRÍO): la temperatura ambiente es inferior a la temperatura programada.	Reinicie la temperatura
La unidad no enfría bien	El filtro de aire está obstruido con polvo o con pelos de animales	Apague el aparato y limpie el filtro siguiendo las instrucciones
	La manguera de escape no está conectada o está obstruida	Apague la unidad, desconecte la manguera, compruebe si hay obstrucciones y vuelva a conectar la manguera
	La unidad tiene poco refrigerante	Llame al servicio técnico para que examine la unidad y añada refrigerante
	La temperatura es demasiado alta	Baje la temperatura programada
	Las ventanas y puertas de la habitación están abiertas	Asegúrese de que todas las ventanas y puertas estén cerradas
	La habitación es demasiado grande	Controle el área de refrigeración
	Hay fuentes de calor dentro de la habitación	Si es posible, retire las fuentes de calor
La unidad es ruidosa y vibra demasiado	El suelo no está nivelado	Coloque la unidad sobre una superficie plana y nivelada
	El filtro de aire está obstruido con polvo o con pelos de animales	Apague el aparato y limpie el filtro siguiendo las instrucciones
La unidad emite un sonido de gorgoteo	Este sonido es causado por el flujo de refrigerante dentro de la unidad	Esto es normal

INSTRUCCIONES DEL CONTROL REMOTO Y APLICACIÓN

Manejo del Control Remoto



Ubicación del control remoto

Utilice el control remoto a distancia a una distancia de 26.2 ft (8 metros) del acondicionador de aire, apuntando hacia el receptor. La recepción se confirma con un pitido.

! PRECAUCIÓN

- El acondicionador de aire no funcionará si las cortinas, puertas u otros materiales bloquean las señales del control remoto a la unidad.
- Evite que cualquier líquido se derrame sobre el mando a distancia. No exponga el mando a distancia a la luz solar directa ni al calor.
- Si el receptor de señal infrarroja de la unidad interior está expuesto a la luz solar directa, es posible que el acondicionador de aire no funcione correctamente. Utilice cortinas para evitar que la luz del sol caiga sobre el receptor.
- Si otros aparatos eléctricos reaccionan al control remoto, mueva estos aparatos o consulte a su distribuidor local.

AVISO

- El diseño del botón se basa en el modelo típico y puede variar ligeramente del real que compró.
- Todas las funciones descritas son realizadas por la unidad. Si la unidad no tiene una función, la unidad no responderá si se presiona el botón correspondiente en el control remoto.
- Cuando existan diferencias significativas entre las características u operaciones implícitas en la ilustración del control remoto y las funciones reales descritas en el MANUAL DEL USUARIO, prevalecerán las descripciones en el MANUAL DEL USUARIO.

Especificaciones del control remoto

Voltaje nominal: 3.0V (baterías secas R03/LR03x2)

Ambiente: 23°F ~140°F (-5°~60°)

Función de los Botones

Botón TEMP DOWN

Pulse este botón para reducir la configuración de la temperatura interior.

Botón ON/OFF

La unidad se enciende cuando se pulsa este botón y se apaga cuando pulsarlo nuevamente.

NOTA: Si la unidad tiene la función ENERGY SAVER, iniciará automáticamente la función de ahorro de energía en los modos Cool, Dry y Auto (solo Auto-Cooling y Auto-Fan).

Botón MODE

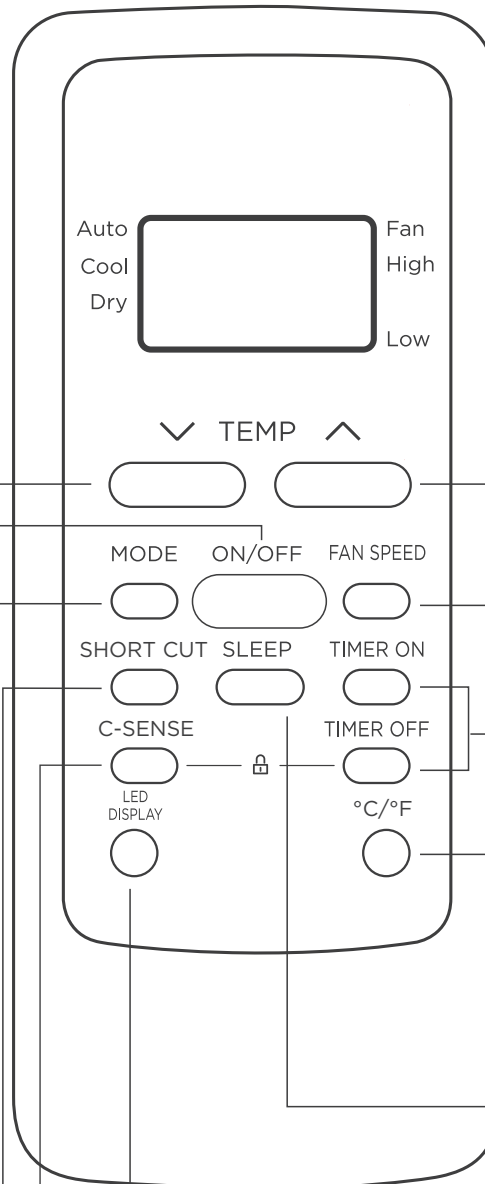
Pulse este botón para seleccionar el modo de operación deseado.

Botón SHORT CUT

Configurar y activar su preconfiguración favorita

Botón COMFORTSENSE

Pulse este botón para activar el modo Comfort Sense, para optimizar la temperatura a su alrededor y garantizar la máxima comodidad.



Botón TEMP UP

Pulse este botón para aumentar la configuración de la temperatura interior.

Botón FAN SPEED

Pulse este botón para seleccionar la velocidad deseada del ventilador.

Botón TIMER

Pulse este botón para activar el programa "Inicio Automático" (Auto Start) o "Parada Automática" (Auto Stop).

Botón °C/°F

Pulse este botón para cambiar la visualización de temperatura entre Celsius y Fahrenheit. Botón °C/°F.

Botón SLEEP

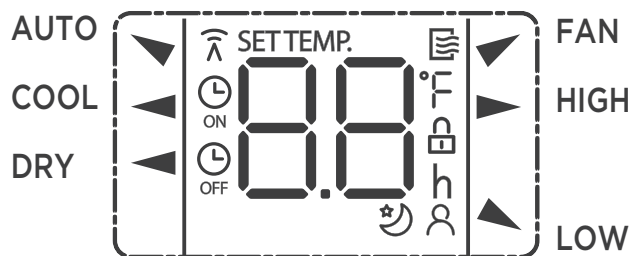
Pulse este botón para activar el modo de Suspensión. Esta función solo está disponible en modo COOL o AUTO y mantendrá la temperatura más cómoda para usted mientras ahorra energía.

Botón LED DISPLAY

Enciende apaga la pantalla LED de la unidad.

Indicadores del Visor del Control Remoto

La información se muestra cuando se enciende el control remoto.



Mode display

AUTO ▼ COOL ◀ DRY ◀
 ▼ FAN



Se muestra cuando se transmiten los datos.



Se muestra cuando el control remoto está habilitado y puede enviar una señal a la unidad. Si desea apagar el control remoto sin afectar la unidad, apunte el control remoto lejos de la unidad y presione el botón ON/OFF. Para encender el control remoto, apunte el control remoto lejos de la unidad y presione el botón ON/OFF.

La unidad no recibirá comandos del control remoto si este indicador no está iluminado.



Se muestra cuando el TIMER ON es ajustado.



Se muestra cuando el TIMER OFF es ajustado.



Muestra la temperatura establecida o la temperatura ambiente, o el tiempo en la configuración del TIMER.



Indica que todos los ajustes actuales están bloqueados.



Aparece cuando la función Comfort Sense está activada (algunas unidades).



Se muestra cuando la función SLEEP es activada.

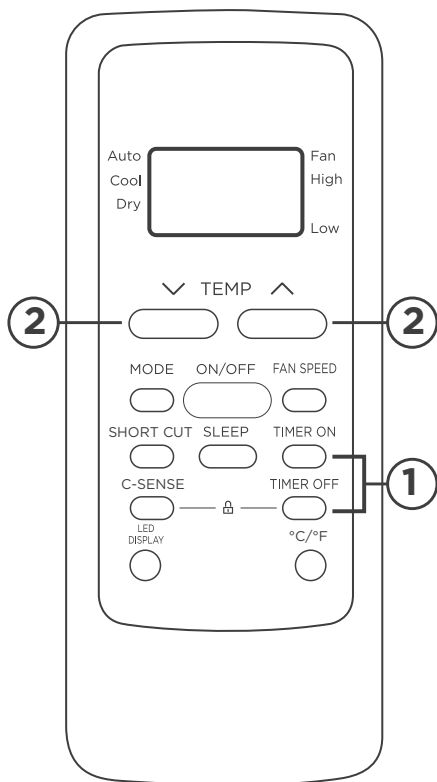
Indicación de la Velocidad del Ventilador

- ▶ HIGH Alta Velocidad
- ◀ LOW Baja Velocidad
- NO display Velocidad Automática

AVISO

Todos los indicadores que se muestran en la figura tienen el propósito de una presentación clara. Pero durante la operación, solo los ícones de función se muestran en el visor.

Cómo Usar los Botones



FUNCIÓN DEL TEMPORIZADOR (TIMER)

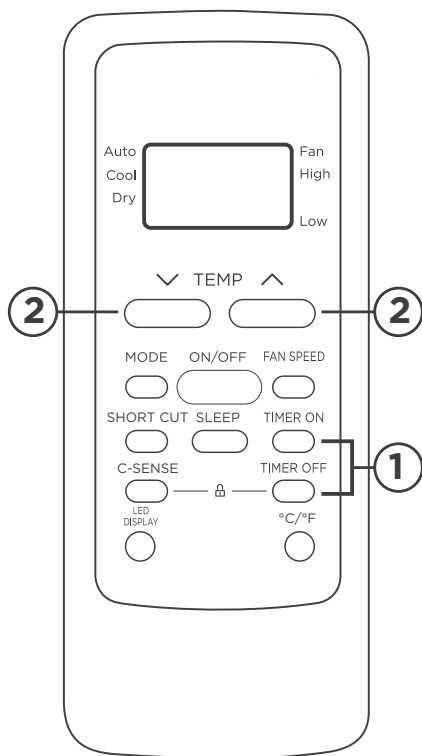
Pulse el botón TIMER para iniciar el programa de ajuste de inicio automático y de parada automática de la unidad.

To set the Auto-start/stop time.

1. Pulse el botón TIMER. Cuando el indicador TIMER ON aparecer en el visor LED del acondicionador de aire, indica que se ha iniciado el programa de ajuste de inicio automático. Cuando el indicador TIMER OFF aparecer en el visor LED del acondicionador de aire, indica que se ha iniciado el programa de ajuste de parada automática.
2. Mantenga pulsado los botones TEMP UP (∧)/DOWN (∨) para cambiar la hora automática. El control contará el tiempo restante hasta el inicio/parada.
3. El tiempo seleccionado se registrará en 5 segundos y el acondicionador de aire volverá automáticamente a mostrar el ajuste de temperatura anterior.
4. Encender o apagar la unidad en cualquier momento, cancelará la función de inicio/parada automática.

NOTICE

Para cancelar el ajuste TIMER, pulse el botón TIMER y, a continuación, pulse o mantenga pulsado los botones TEMP UP (∧) / DOWN (∨) hasta que aparezca 0 horas en el visor LED del acondicionador de aire.



TEMPORIZADOR (TIMER) COMBINADO

(Ajuste simultáneo de los temporizadores ON y OFF)

PARADA AUTOMÁTICA > INICIO AUTOMÁTICO (AUTO STOP > AUTO START)

(Activado > Detener > Iniciar operación)

Esta función es útil cuando desea detener el acondicionador de aire después de acostarse, y volver a encenderlo por la mañana cuando se despierta o cuando regresa a casa.

Ejemplo:

Para detener el acondicionador de aire 2 horas después de la configuración y volver a encenderlo 10 horas después de la configuración.

1. Pulse el botón TIMER hasta que muestre TIMER OFF en el indicador LED del acondicionador de aire.
2. Utilice los botones TEMP UP (∧)/DOWN (∨) hasta mostrar "2.0" en el indicador LED del acondicionador de aire.
3. Presione el botón TIMER nuevamente para mostrar el TIMER OFF en el LED de la unidad.
4. Utilice los botones TEMP UP (∧)/DOWN (∨) hasta mostrar "10" en el indicador LED del acondicionador de aire.
5. Espere 5 segundos hasta que aparezca la visualización anterior en el LED.

INICIO AUTOMÁTICO > PARADA AUTOMÁTICA (AUTO START > AUTO STOP)

(Desactivado > Iniciar > Detener operación)

Esta función es útil cuando se desea encender el acondicionador de aire antes de despertar y detenerlo después de que se sale de la casa.

Ejemplo:

Para iniciar el acondicionador de aire 5 horas después de la configuración, y detenerlo 8 horas después de la configuración.

1. Pulse el botón TIMER hasta que muestre TIMER ON en el indicador LED del acondicionador de aire.
2. Utilice los botones TEMP UP (∧)/DOWN (∨) hasta mostrar "5.0" en el indicador LED del acondicionador de aire.
3. Presione el botón TIMER nuevamente para mostrar el TIMER OFF en el LED de la unidad.
4. Utilice los botones TEMP UP (∧)/DOWN (∨) hasta mostrar "8.0" en el indicador LED del acondicionador de aire.
5. Espere 5 segundos hasta que aparezca la visualización anterior en el LED.

NOTES

- El diseño del botón se basa en un modelo típico y puede variar ligeramente del real que compró.
- Este dispositivo cumple con la parte 15 de las Reglas de la FCC. El funcionamiento está sujeto a las dos condiciones siguientes: (1) Este dispositivo no puede causar interferencias perjudiciales, y (2) este dispositivo debe aceptar cualquier interferencia recibida, incluidas las interferencias que puedan causar un funcionamiento no deseado.
- Este equipo ha sido probado y se encontró que cumple con los límites para un dispositivo digital de Clase B, de acuerdo con la parte 15 de las Reglas de la FCC. Estos límites están diseñados para proporcionar una protección razonable contra interferencias dañinas en una instalación residencial. Este equipo genera, usa y puede irradiar energía de radiofrecuencia y, si no se instala y usa de acuerdo con las instrucciones, puede causar interferencia dañina a las comunicaciones de radio. Sin embargo, no hay garantía de que la interferencia no ocurra en una instalación en particular. Si este equipo causa interferencias perjudiciales para la recepción de radio o televisión, lo cual puede determinarse encendiendo y apagando el equipo, se recomienda al usuario que intente corregir la interferencia mediante una o más de las siguientes medidas:
 - Reorientar o reubicar la antena receptora.
 - Aumente la separación entre el equipo y el receptor.
 - Conecte el equipo a una toma de corriente en un circuito diferente al que está conectado el receptor.
 - Consulte con el distribuidor o un técnico experimentado en radio / TV para obtener ayuda.
 - Los cambios o modificaciones no aprobados por la parte responsable del cumplimiento pueden anular la autoridad de los usuarios para operar el equipo.

Advertencia de batería:

No mezcle pilas nuevas y viejas y no mezcle pilas alcalinas, estándar (carbono-zinc) o recargables (ni-cad, ni-mh, etc.)

Declaración de conformidad del proveedor 47 CFR § 2.1077 Información sobre el cumplimiento

Identificador único: Midea brand, RG51H2(2)/CEFU1-M

Parte responsable Información de contacto de los Estados Unidos

Midea America Corporation
300 Kimball Dr
Parsippany NJ
07054

Número de teléfono o información de contacto en Internet: Midea.com/us

Declaración de cumplimiento de la FCC (productos sujetos a la Parte 15)

Este dispositivo cumple con la Parte 15 de las Normas de la FCC. La operación está sujeta a las siguientes dos condiciones: (1) Este dispositivo no puede causar interferencias perjudiciales, y (2) este dispositivo debe aceptar cualquier interferencia recibida, incluida la interferencia que pueda provocar un funcionamiento no deseado.

DECLARACIÓN DE CONFORMIDAD

Declaramos que este Acondicionador de Aire cumple los requisitos esenciales y otras disposiciones pertinentes de la Directiva 1999/5/CE.

PRECAUCIONES

1. Soporte para los sistemas operativos: iOS 10+ or Android 5+.
2. En el caso de una actualización del sistema operativo, puede haber un retraso entre la actualización del sistema operativo y una actualización de software durante la cual su sistema operativo puede o no ser compatible hasta que una nueva versión sea lanzada. Su teléfono móvil específico o problemas en su red pueden impedir que el sistema funcione y Midea no será responsable de ningún problema que pueda ser causado por incompatibilidad o problemas de red.
3. Este acondicionador de aire inteligente solo permite el cifrado WPA-PSK/WPA2-PSK (recomendado).
4. Para garantizar el escaneo adecuado del código QR, su smart phone debe tener al menos una cámara de 5 megapíxeles.
5. Debido a la conectividad de red inestable, las solicitudes pueden agotar el tiempo de espera. Si esto sucede, vuelva a ejecutar la configuración de red.
6. Debido a la conectividad de red inestable, los comandos pueden agotar el tiempo de espera. Si esto sucede, la aplicación del Smartphone y el producto actual pueden presentar información conflictiva. La información presentada en el producto actual es siempre la más precisa disponible. Actualice la aplicación para volver a sincronizarla.

AVISO

Midea no será responsable de ningún problema que pueda ser causado por incompatibilidad o problemas de red, su router inalámbrico y teléfono móvil.

VISIÓN GENERAL DEL SISTEMA

Dispositivos necesarios para utilizar el Acondicionador de aire inteligente:

1. Smartphone con sistema iOS o Android compatible.
2. Router inalámbrico
3. Acondicionador de aire Inteligente

1 Cómo usar la aplicación SmartHome

- ⚠ Asegúrese de que su Smartphone esté conectado a su router inalámbrico y que su router inalámbrico tenga una conexión a Internet de 2,4 GHz. El Bluetooth debe estar encendido. El dispositivo también debe estar encendido.

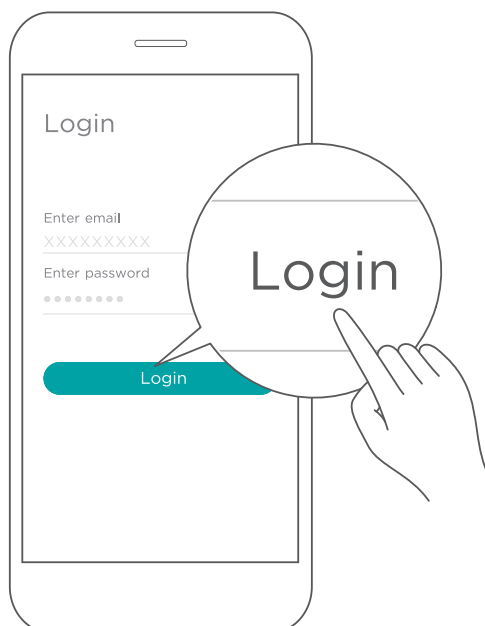
■ Paso 1: Descargue la aplicación SmartHome

Escanee el código QR a continuación para descargar la aplicación SmartHome desde la tienda de aplicaciones o búsquela directamente en Google Play Store o Apple's App Store.



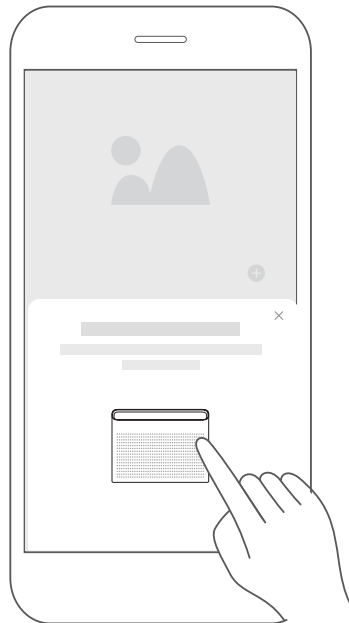
■ Paso 2: Iniciar sesión

Abra la aplicación SmartHome. Inicie sesión directamente si tiene una cuenta existente de SmartHome o cree una nueva cuenta. Alternativamente, también puedes usar una plataforma de inicio de sesión de terceros.

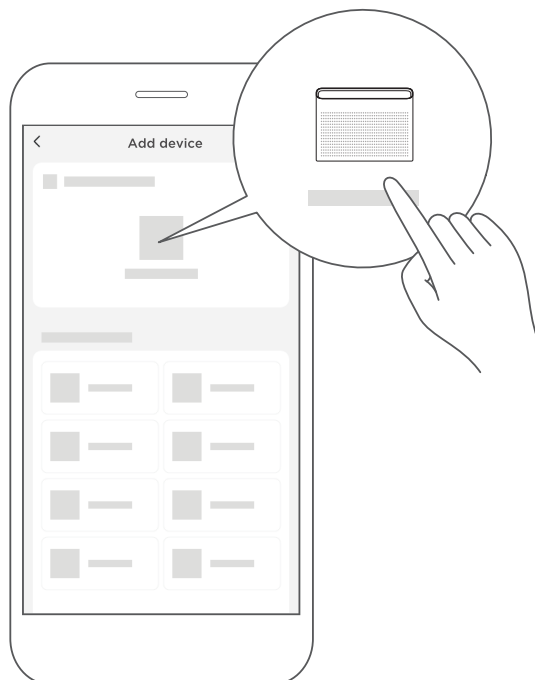


■ Paso 3: Conectar el dispositivo

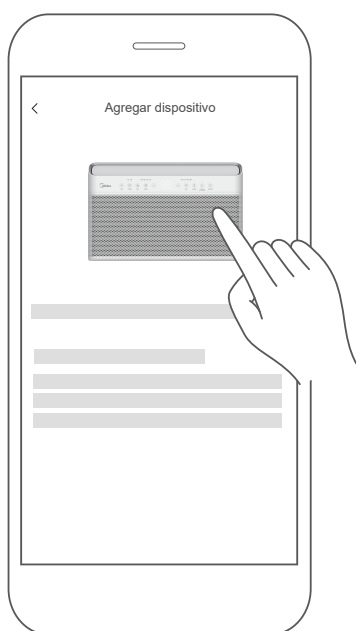
1) Cuando inicies sesión, es posible que veas el mensaje "Dispositivos inteligentes encontrados cerca". Toca para agregar tu dispositivo.



2) Si no aparece dicho mensaje, procede de la siguiente manera: Toca en "+" y selecciona tu dispositivo en la lista de dispositivos disponibles cercanos. Si tu dispositivo no aparece en la lista, por favor agrega tu dispositivo manualmente, seleccionando primero la categoría del dispositivo, por ejemplo, Aire Acondicionado de Ventana.



3) Sigue los pasos en la aplicación para conectar tu dispositivo a la red inalámbrica. Si tu dispositivo no logra conectarse, sigue las instrucciones adicionales en la aplicación.



Para aire acondicionado de ventana



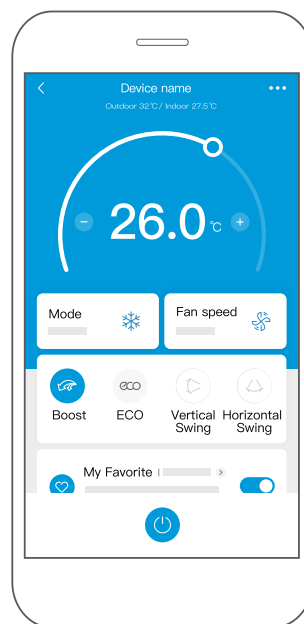
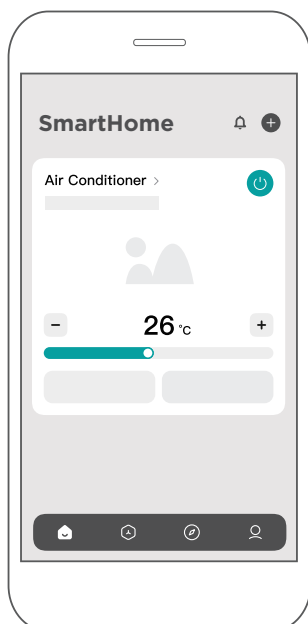
Para aire acondicionado portátil

■ Paso 4: Controlar el dispositivo

Después de emparejar con éxito, se creará una tarjeta para el dispositivo en la aplicación SmartHome.

Atajos para funciones básicas aparecerán en la tarjeta, como cambiar la temperatura o encender y apagar el dispositivo.

Al tocar en la tarjeta, se revelarán funciones y ajustes adicionales. El diseño real de la interfaz de usuario puede verse diferente a los ejemplos debido a actualizaciones de la aplicación.



2 Cómo usar Matter

Matter es una tecnología de conectividad que armoniza el hogar inteligente, permitiendo que dispositivos y ecosistemas como Alexa, Google Home y Apple Home se comuniquen de manera fluida. Esta integración desbloquea funciones innovadoras.

Para usar Matter, necesitarás al menos un altavoz inteligente habilitado para Matter (Amazon, Google o Apple) y su respectiva aplicación.

-- Si tienes un altavoz inteligente habilitado para Matter, por favor sigue las instrucciones de "Cómo usar Matter" en las siguientes páginas.

-- Si no tienes un altavoz inteligente habilitado para Matter, no podrás usar Matter en este momento. Sin embargo, aún puedes obtener la funcionalidad completa del producto utilizando nuestra aplicación SmartHome. Para hacer esto, sigue a la sección "Cómo usar la aplicación SmartHome".

Conecta tu aire acondicionado a través de Matter

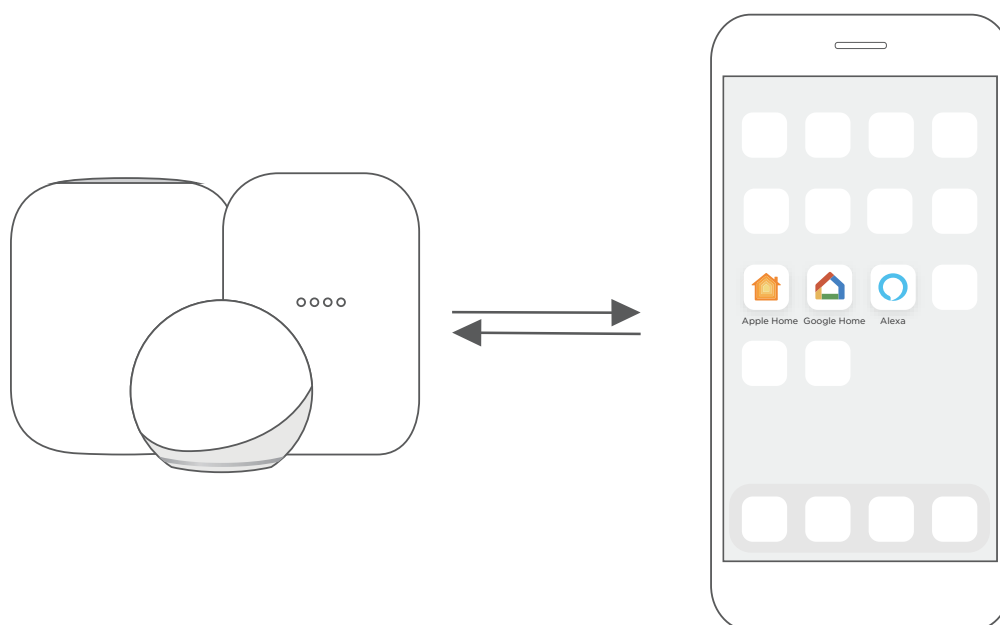
△ Asegúrate de que tu dispositivo móvil esté conectado a tu enrutador inalámbrico.

El enrutador inalámbrico debe admitir y tener activado IPv6. Asegúrate de que tu smartphone se conecte a la red 2.4G y no a la red 5G.

Para una compatibilidad óptima con Matter, conecta tu aire acondicionado a los ecosistemas de Alexa, Google Home o Apple Home, emparejado con al menos uno de sus altavoces inteligentes compatibles con Matter.

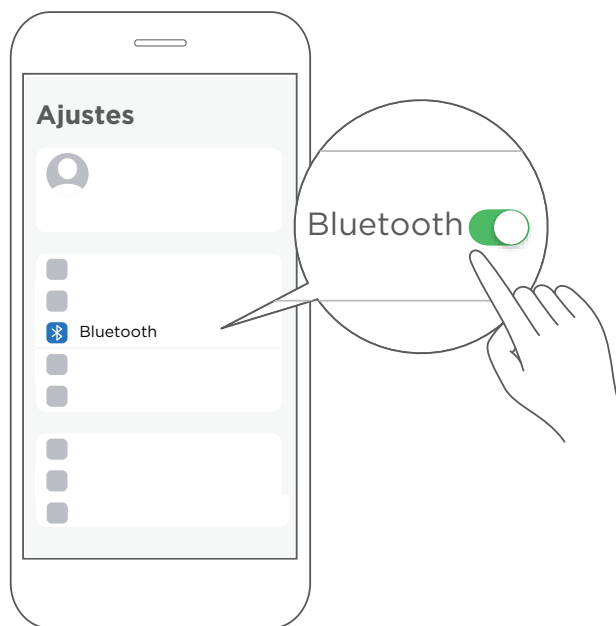
■ Paso 1: Conectar al altavoz inteligente

Elige tu ecosistema preferido (Alexa, Google Home o Apple Home) y asegúrate de tener uno de sus productos habilitados para Matter, como un altavoz inteligente, conectado a tu enrutador inalámbrico.



■ Paso 2: Activar el Bluetooth

Activa el Bluetooth en tu dispositivo móvil.

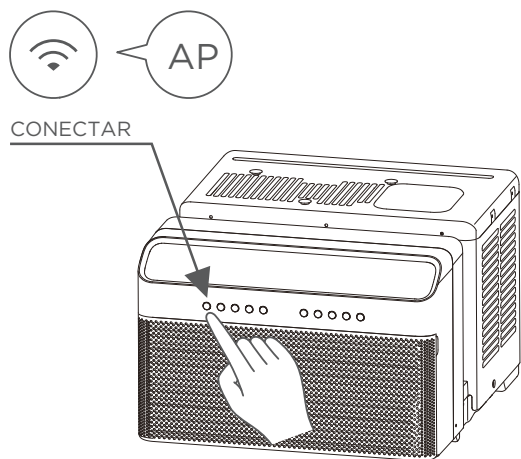


■ Paso 3: Ingrese al modo AP

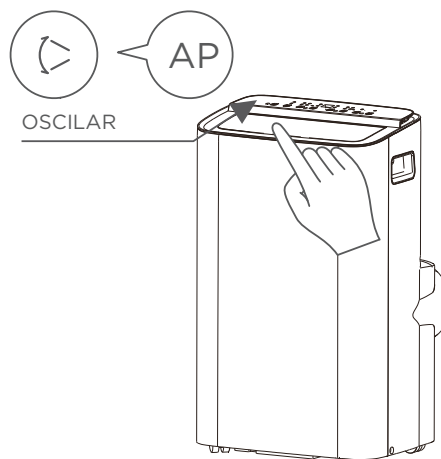
AC de ventana: Mantén presionado el botón CONECTAR / Encendido durante 3 segundos para iniciar el proceso de emparejamiento (aparecerá "AP" en la pantalla del AC).

AC portátil: Mantén presionado el botón SWING / Encendido durante 3 segundos para iniciar el proceso de emparejamiento (aparecerá "AP" en la pantalla del AC).

Nota: El modo de emparejamiento AP puede variar entre diferentes AC, por favor sigue las instrucciones del panel del AC.



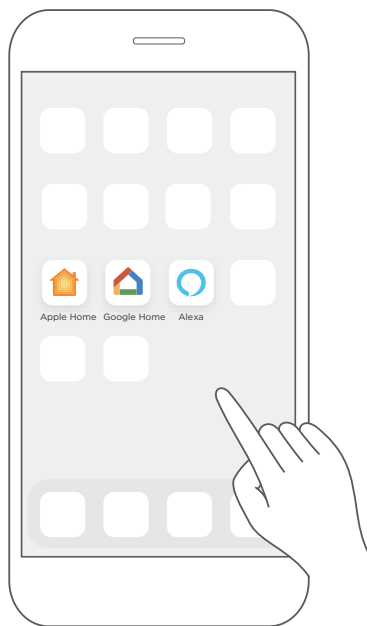
Aire acondicionado de ventana



Aire acondicionado portátil

■ Paso 4: Abra la aplicación

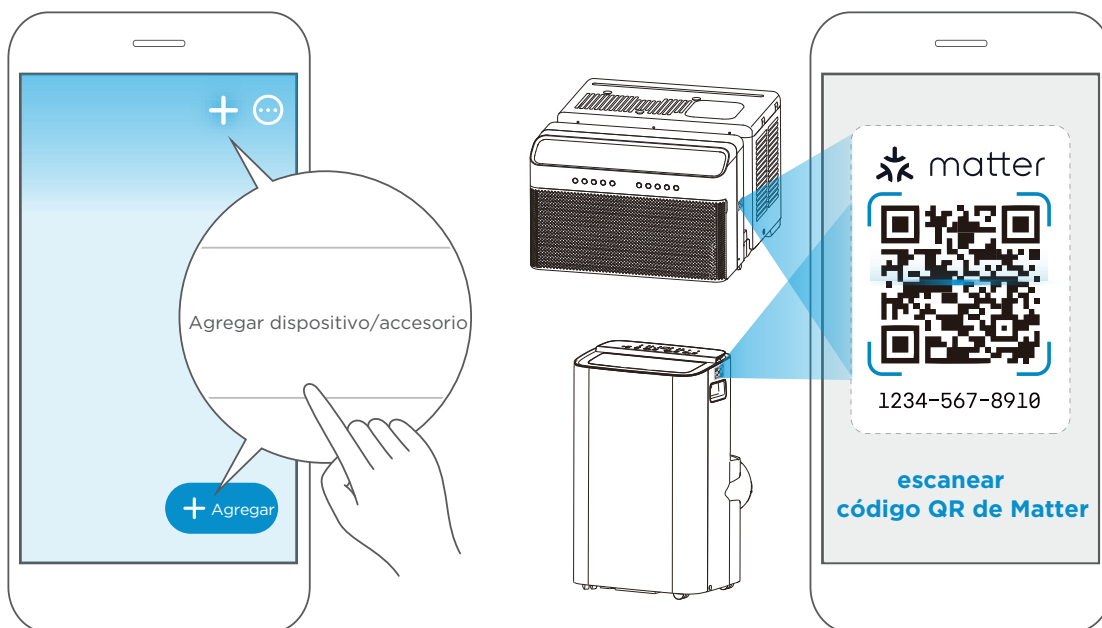
Abra la aplicación Alexa, Google Home, Apple Home en su dispositivo móvil.



■ Paso 5: Escanear código QR de Matter

Abra su aplicación y toque el símbolo “+” o “+Agregar” para comenzar a agregar un dispositivo/accesorio.

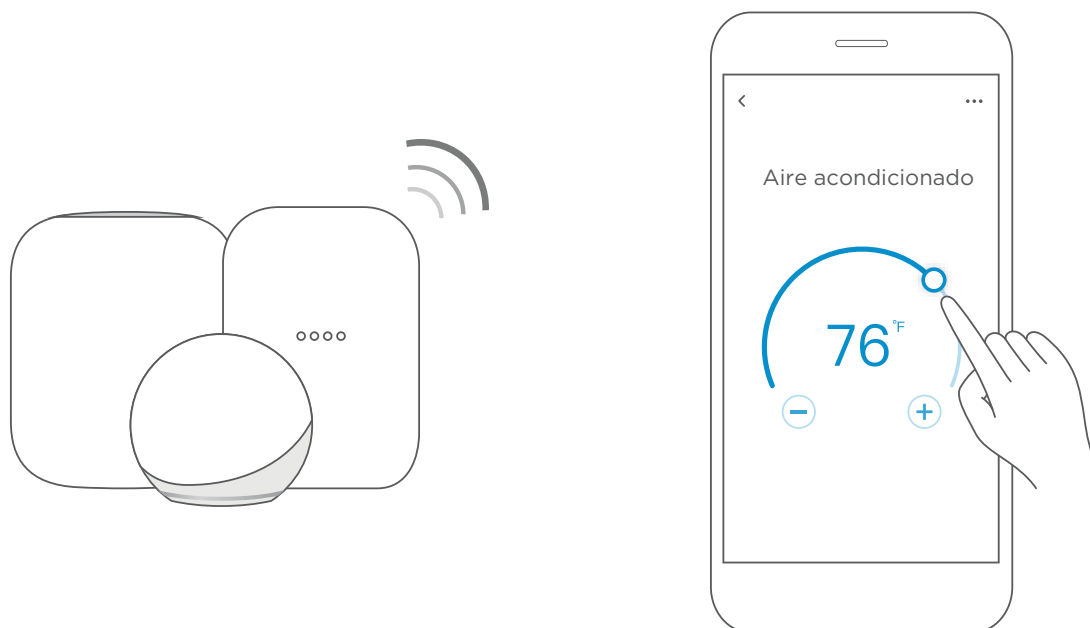
Seleccione la opción de dispositivo Matter y escanee el código QR ubicado en el lateral de su unidad de aire acondicionado. Siga las instrucciones proporcionadas en la aplicación Alexa, Google Home o Apple Home para completar el proceso de emparejamiento.



■ Paso 6: Control del dispositivo

Una vez que el emparejamiento sea exitoso, podrá controlar la temperatura y los ajustes de modo de su aire acondicionado, etc. a través de la aplicación del ecosistema respectivo y el altavoz inteligente.


Debido a un problema de compatibilidad, el valor de temperatura mostrado en la aplicación Alexa, Google Home o Apple Home puede ser 1 grado diferente al que se muestra en el aire acondicionado. Sin embargo, esto no afectará la capacidad del dispositivo para enfriar la habitación.



La aplicación y los altavoces inteligentes solo pueden admitir Matter cuando se utilizan estas versiones o superiores.

Dispositivo	Versión
iPhone	iOS 16.5
Apple Home Pod	16.5
Android	Versión mínima de Google Play services: 22.36.15 Versión mínima de la aplicación Google Home (GHA): 2.58.24.1-dogfood
Google Home Hub	Versión mínima del firmware de Google Hub: 1.56.324896 (aparece en el hub como versión del firmware de Chromecast)
Aplicación Alexa	2.2.536317
Dispositivo Alexa Echo	9094439556

NOTA:

- Los procesos de configuración y las funciones pueden variar entre ecosistemas.
- Las funciones mostradas en las aplicaciones de Alexa, Google Home o Apple Home pueden cambiar con las actualizaciones de sus productos o aplicaciones.
- Asegúrese de que la aplicación habilitada para Matter esté actualizada para garantizar la mejor experiencia.
- Periódicamente, actualizaremos el software del dispositivo para mejorar la experiencia.
Las actualizaciones de software del dispositivo se pueden realizar a través de.
-  matter la aplicación SmartHome. es desarrollado por la Connectivity Standards Alliance TM. Esta marca, logotipos relacionados y marcas son marcas comerciales de la Alianza, todos los derechos reservados.
- El uso del distintivo Works with Apple significa que un accesorio ha sido diseñado para funcionar específicamente con la tecnología identificada en el distintivo y ha sido certificado por el desarrollador para cumplir con los estándares de rendimiento de Apple. Apple no es responsable de la operación de este dispositivo ni de su cumplimiento de normas de seguridad y regulación.

3 Especificació

Modelo: US-SK109	Dimensiones: 41 x 24 x 5 (mm)
Tipo de Antena: Printed PCB Antenna	Temp. de funcionamiento: 0°C ~ 45°C / 32°F ~ 113°F.
Frecuencia: 2400-2483.5MHz	Humedad de funcionamiento: 10% ~ 85%
Potencia máxima transmitida: <20dBm	Entrada de potencia: DC 5V/500 mA

Declaración de conformidad
CONTIENE FCC ID: 2ADQOMDNA23
CONTIENE IC: 12575A-MDNA23

Este dispositivo cumple con la Parte 15 de las Reglas de la FCC y los RSS exentos de licencia de Industry Canada.

El funcionamiento está sujeto a las dos condiciones siguientes:

- (1) Este dispositivo podría no causar interferencia; y
- (2) Este dispositivo debe aceptar cualquier interferencia, incluida la interferencia que pueda causar un funcionamiento no deseado del dispositivo.

Utilice el dispositivo únicamente de acuerdo con las instrucciones suministradas.

Los cambios o modificaciones a esta unidad no aprobados expresamente por el responsable del cumplimiento podrían anular la autoridad del usuario para operar el equipo. Este dispositivo cumple con los límites de exposición a la radiación FCC establecidos para un entorno no controlado. Para evitar la posibilidad de superar los límites de exposición a radiofrecuencia FCC, la proximidad humana a la antena no deberá ser inferior a 20 cm (8 pulgadas) durante el funcionamiento normal.

NOTA: Este equipo ha sido probado y se ha comprobado que cumple con los límites para un dispositivo digital de clase B, de conformidad con la parte 15 de las Reglas de FCC. Estos límites están diseñados para proporcionar una protección razonable contra interferencias dañinas en una instalación residencial. Este equipo genera, utiliza y puede irradiar energía de radiofrecuencia y, si no se instala y utiliza de acuerdo con las instrucciones, puede causar interferencias dañinas a las comunicaciones radioeléctricas. Sin embargo, no hay garantía de que no se produzcan interferencias en una instalación particular. Si este equipo causa interferencias perjudiciales en la recepción de radio o televisión, que se pueden determinar apagando y encendiendo el equipo, se recomienda al usuario que intente corregir la interferencia mediante una o más de las siguientes medidas:

- Reoriente o reubique la antena receptora.
- Aumente la separación entre el equipo y el receptor.
- Conecte el equipo a un enchufe en un circuito diferente al que está conectado el receptor.
- Consulte al distribuidor o a un técnico de radio/TV con experiencia para obtener ayuda.

NOTA:

Todas las ilustraciones en el manual son solo con fines explicativos. Su unidad puede ser ligeramente diferente. La forma real prevalecerá.

GARANTÍA

Garantía limitada del aire acondicionado

Su producto está protegido por esta Garantía Limitada:

El servicio de garantía debe ser obtenido de Servicios al Consumidor de Midea o prestador de servicio autorizado Midea.

Garantía

- Un año completo de garantía a partir de la fecha de entrega o de la fecha de compra, lo que sea posterior.
- La fecha de entrega establece el período de garantía, en caso de que se requiera servicio.

El consumidor será responsable de:

- Costos de diagnóstico, remoción, transporte y reinstalación requeridos por el servicio.
- Los costos de las llamadas de servicio que son el resultado de ítems indicados en el RESPONSABILIDADES NORMALES DEL CONSUMIDOR **

Las piezas de reemplazo Midea se utilizarán y garantizarán sólo por el período restante de la garantía original.

RESPONSABILIDADES NORMALES DEL CONSUMIDOR **

Esta garantía sólo se aplica a los productos de uso doméstico normal, y el consumidor es responsable de los ítems listados siguientes:

1. Uso correcto del aparato de acuerdo con las instrucciones proporcionadas con el producto.
2. Mantenimiento rutinario y limpieza necesaria para mantener el buen estado de funcionamiento.
3. Instalación correcta por un profesional de servicio autorizado de acuerdo con las instrucciones proporcionadas con el aparato y de acuerdo con todos los códigos locales de plomería, electricidad y/o gas.
4. Conexión adecuada a una fuente de alimentación conectada a tierra de suficiente voltaje, reemplazo de fusibles quemados, reparación de conexiones aflojadas o defectos en el cableado doméstico.
5. Gastos para facilitar el acceso al aparato para el servicio.
6. Daños después de la instalación.

EXCLUSIONES

Esta garantía no cubre lo siguiente:

- 1) Fallo causado por daño a la unidad mientras en su posesión (diferente de los daños causados por defecto o mal funcionamiento), mediante su instalación inadecuada, o por uso irracional de la unidad, incluyendo, pero no limitado a, la falta de mantenimiento razonable y necesario o de seguir las instalaciones escritas y el manual de instrucciones.
- 2) Daños causados por servicios realizados por personas que no sean prestadores de servicio autorizados Midea, por uso de piezas que no sean piezas de repuesto Midea, obtenidos desde personas que no sean de servicios al Consumidor Midea, o por causas externas como abuso, mal uso, suministro eléctrico inadecuado o casos fortuitos.
- 3) Si la unidad se pone a usos comerciales, de negocios, de alquiler u otro uso o aplicación que no sea para uso del consumidor, no hacemos ninguna garantía, expresa o implícita, incluyendo, pero sin limitado a, cualquier garantía implícita de comerciabilidad o idoneidad para un uso o propósito particular.
- 4) Productos sin números de serie originales o productos que tengan números de serie que se han alterado o no se puede determinar fácilmente.

Nota: Algunos estados no permiten la exclusión o limitación de daños incidentales o consecuentes. Así que esta limitación o exclusión no se aplique a usted.

SI USTED NECESITA SERVICIO

Conserve la factura de compra, la boleta de entrega o cualquier otro registro de pago apropiado.

La fecha en la factura estableció el período de garantía si requerir servicio.

Si el servicio se lleva a cabo, es su mejor interés para obtener y conservar todos los recibos.

Esta garantía escrita le otorga derechos legales específicos. Usted también puede tener otros derechos que varían de estado a estado.

El servicio bajo esta garantía debe ser obtenido mediante los siguientes pasos, en orden:

- 1) Póngase en contacto con Servicios al Consumidor Midea o un prestador de servicio autorizado Midea a 1 866 646 4332.
- 2) Si hay una pregunta sobre dónde obtener servicio, póngase en contacto con nuestro departamento de relaciones de consumidor.

POLITICA DE DEVOLUCION

Política de devolución

Preguntas sobre la instalación o el funcionamiento producto Midea?

- ♦ Sitodavía necesita asistencia, por favor llame al Atención al Cliente en **1-866-646-4332**.
- ♦ Tenga disponible su recibo de compra número de serie y el número de modelo del producto cuando llame.

El producto podrá devolverse dentro de los 30 días de la compra con el recibo. Luego de los 30 días, el producto está cubierto por la garantía limitada. Consulte la sección de garantía en el manual de usuario para información.

**guarde su
comprobante**





make yourself at home



www.midea.com

© Midea 2025 all rights reserved

MAPS

16120600A32239