

# MAS486INMNG

MASTER SERIES INDUCTION RANGE 48" - 6 HEATING ZONES - ELECTRIC OVEN - NERO MATT FINISH AND BRUSHED GOLD KNOBS & FINIALS



## Exclusive Finish and Materials

Italian style and craftsmanship inspire the exclusive matt color finish of this range. Metal knobs and handles make the range a standout in every kitchen. Stainless toe kick included as standard. Integrated brushed Gold knobs and handle finials for a unique aesthetic impact.

## Bertazzoni signature counter-deep maintop

Bertazzoni signature stainless counter-deep maintop is designed to install flush with most kitchen countertops for a perfectly integrated look. Precise and flexible heating is provided by 6 latest generation extra-large induction zones with bridging of right-side zones. Complete the range with the optional cast-iron griddle.

## Extra large oven with dual convection

The 4.7 cu.ft electric main oven with dual horizontal convection allows even baking and roasting on 7 shelf levels. A 2.4 cu.ft auxiliary electric oven with broiler helps prepare multiple dishes at the same time. Bertazzoni ovens are equipped with an extra-large high-power broiler for broiling and grilling.

## Advanced programming and controls for the oven

The elegant temperature gauge for control of oven temperature during pre-heating and baking is a signature of every Bertazzoni range.

## Best-in-class features and design

The soft-motion oven door with edge-to-edge tempered glass is a masterpiece of European engineering and makes the oven door very easy to wipe clean. The range is equipped with an elegant stainless steel toe kick matching the finish of the range.

## GENERAL CHARACTERISTICS

|                              |                                   |
|------------------------------|-----------------------------------|
| Worktop                      | 6 induction zones                 |
| Front right                  | 2100W (3700W booster)             |
| Front left                   | 2300W (3700W booster)             |
| Center                       | 2300W (3700W booster)             |
| Back right                   | 2100W (3700W booster)             |
| Back left                    | 2300W (3700W booster)             |
| Back center                  | 2600W (3700W booster)             |
| Knobs                        | Solid metal gold finish           |
| Cooking modes                | 9                                 |
| Tray                         | 1 baking tray with grill trivet   |
| Shelves                      | 1 telescopic + 1 standard         |
| Levels                       | Lateral grids                     |
| Inner door                   | 3 layer tempered glass            |
| Door hinges                  | Soft motion                       |
| Auxiliary oven cooking modes | 5                                 |
| Auxiliary oven shelves       | 1 telescopic + 1 standard         |
| Auxiliary oven levels        | Lateral grids                     |
| Legs                         | Stainless Steel ø 2 3/8 inches    |
| Toe kick                     | Toe kick stainless steel included |

## TECHNICAL SPECIFICATIONS

|                         |  |
|-------------------------|--|
| Electrical requirements | 120/208 V 60HZ - 13700W<br>120/240 V 60HZ - 16800W<br>50A with dedicated circuit |
| Warranty                | 2 years parts & labor  |
| Packaging dimensions    | H:42 1/8 W:51 15/16 D:29 15/16   |

## ACCESSORIES SECTION

|           |   |
|-----------|---|
| DSMASIKSB | Black nickel décor set - 11 knobs           |
| DSMASHSB  | Black nickel décor set - 2 handle terminals |
| GR11ISI   | Cast iron griddle for induction             |

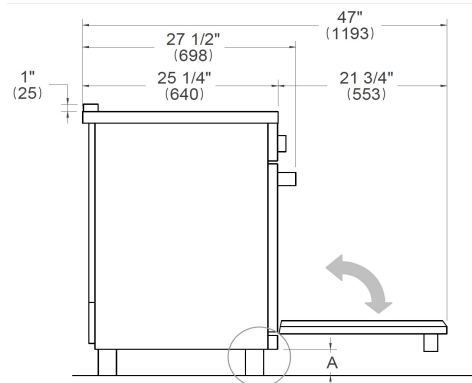
# MAS486INMNG

MASTER SERIES INDUCTION RANGE 48" - 6 HEATING ZONES - ELECTRIC OVEN -  
NERO MATT FINISH AND BRUSHED GOLD KNOBS & FINIALS



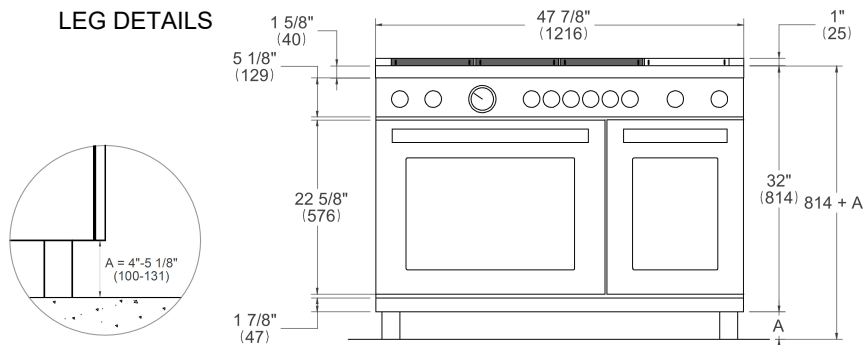
## DIMENSIONS

SIDE VIEW

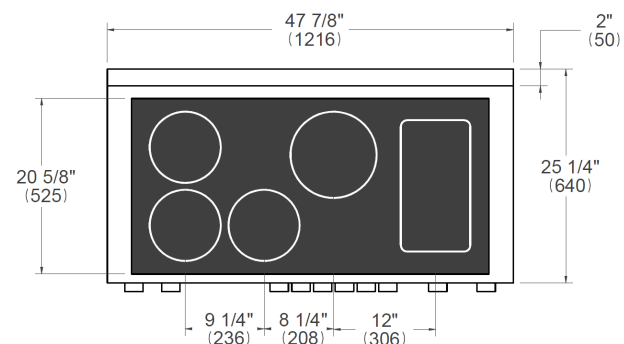


FRONT VIEW

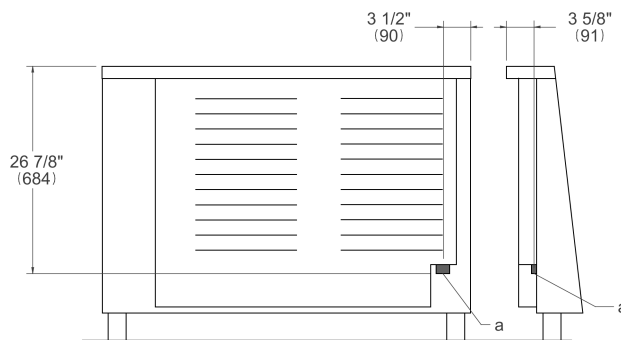
LEG DETAILS



WORKTOP DETAILS

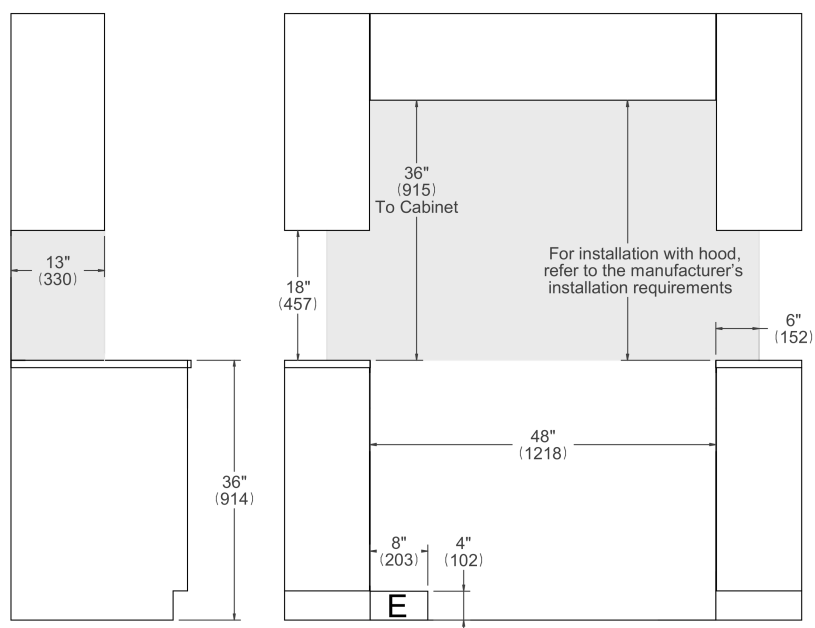


REAR VIEW



## INSTALLATION

**E** A properly-grounded horizontally mounted electrical receptacle should be installed no higher than 3" (7.6 cm) above the floor, no less than 2" (5 cm) and no more than 8" (20,3 cm) from the left side (facing product). Check all local code requirements.



### NOTE

- a. Electrical Connection
- b. Gas Connection

Disclaimer: while every effort has been made to insure the accuracy of the information contained in this document, Fratelli Bertazzoni reserves the right to change any part of the information at any time without notice. For detailed installation specifications consult the installation manual. Fratelli Bertazzoni, Bertazzoni and the winged wheel brand icon are registered trademarks of Bertazzoni Spa.