



INSTALLATION INSTRUCTIONS

ORIGINAL INSTRUCTIONS
COMMERCIAL GAS DRYER
MODELS MDG20MN

INSTRUCTIONS D'INSTALLATION

INSTRUCTIONS ORIGINALES
SÈCHE-LINGE COMMERCIAL À GAZ
MODÈLES MDG20MN

INSTRUCCIONES DE INSTALACIÓN

INSTRUCCIONES ORIGINALES
SECADORA A GAS A COMERCIAL
MODELOS MDG20MN

TABLE OF CONTENTS

DRYER SAFETY	3
MAINTENANCE INSTRUCTIONS.....	6
IF YOU NEED ASSISTANCE	7
TOOLS AND PARTS	7
SPECIFICATIONS	8
DIMENSIONS/CLEARANCES	8
LOCATION REQUIREMENTS	9
GAS DRYER ELECTRICAL REQUIREMENTS	9
GAS REQUIREMENTS	10
DRYER VENTING REQUIREMENTS	11
INSTALLING LEVELING LEGS AND COIN BOX	13
LEVELING	14
GAS SUPPLY CONNECTION	14
TECHNICAL SPECIFICATIONS–GAS DRYER.....	14
COMPLETE INSTALLATION	15
DRYER DISPOSAL.....	16

SOMMAIRE

SÉCURITÉ DU SÈCHE-LINGE	17
INSTRUCTIONS D'ENTRETIEN	20
SI VOUS AVEZ BESOIN D'AIDE	21
OUTILS ET PIÈCES	21
SPÉCIFICATIONS.....	22
DIMENSIONS/ESPACES	22
EXIGENCES RELATIVES À L'EMPLACEMENT	23
EXIGENCES ÉLECTRIQUES POUR SÈCHE-LINGE À GAZ ...	23
EXIGENCES RELATIVES AU GAZ.....	24
EXIGENCES RELATIVES À L'ÉVACUATION DU SÈCHE-LINGE	25
INSTALLATION DES PIEDS DE NIVELLEMENT ET DE L'APPAREIL À MONNAIE.....	27
NIVELLEMENT.....	28
BRANCHEMENT DE L'ALIMENTATION EN GAZ	28
CARACTÉRISTIQUES TECHNIQUES–SÈCHE-LINGE À GAZ..	29
TERMINER L'INSTALLATION	29
MISE AU REBUT DU SÈCHE-LINGE	30

ÍNDICE

SEGURIDAD DE LA SECADORA.....	31
INSTRUCCIONES DE MANTENIMIENTO	34
SI NECESITA ASISTENCIA	35
HERRAMIENTAS Y PIEZAS	35
ESPECIFICACIONES.....	36
DIMENSIONES/ESPACIOS LIBRES.....	36
REQUISITOS DE UBICACIÓN	37
REQUISITOS ELÉCTRICOS DE LA SECADORA A GAS.....	37
REQUISITOS DE GAS	38
REQUISITOS DE VENTILACIÓN DE LA SECADORA	39
INSTALACIÓN DE LAS PATAS NIVELADORAS Y LA CAJA DE MONEDAS.....	41
NIVELACIÓN.....	42
CONEXIÓN DEL SUMINISTRO DE GAS	42
ESPECIFICACIONES TÉCNICAS – SECADORA A GAS	42
INSTALACIÓN COMPLETA	43
ELIMINACIÓN DE LA SECADORA.....	44

DRYER SAFETY

Your safety and the safety of others are very important.

We have provided many important safety messages in this manual and on your appliance. Always read and obey all safety messages.



This is the safety alert symbol.

This symbol alerts you to potential hazards that can kill or hurt you and others.

All safety messages will follow the safety alert symbol and either the word “DANGER” or “WARNING.”

These words mean:

 **DANGER**

You can be killed or seriously injured if you don't immediately follow instructions.

 **WARNING**

You can be killed or seriously injured if you don't follow instructions.

All safety messages will tell you what the potential hazard is, tell you how to reduce the chance of injury, and tell you what can happen if the instructions are not followed.



WARNING – RISK OF FIRE/FLAMMABLE MATERIALS

This is an additional safety alert symbol that alerts you to the risk of fire. Care is required to avoid causing a fire by igniting flammable material.



WARNING - “Risk of Fire”

- Clothes dryer installation must be performed by a qualified installer.
- Install the clothes dryer according to the manufacturer's instructions and local codes.
- Do not install a clothes dryer with flexible plastic venting materials or flexible metal (foil type) duct. If flexible metal duct is installed, it must be of a specific type identified by the appliance manufacturer as suitable for use with clothes dryers. Flexible venting materials are known to collapse, be easily crushed, and trap lint. These conditions will obstruct clothes dryer airflow and increase the risk of fire.
- To reduce the risk of severe injury or death, follow all installation instructions.
- Save these instructions.

- It is recommended that the owner post, in a prominent location, instructions for the customer's use in the event the customer smells gas. This information should be obtained from your gas supplier.
- Post the following warning in a prominent location.

FOR YOUR SAFETY

1. DO NOT USE OR STORE GAS OR OTHER FLAMMABLE MATERIALS IN THIS APPLIANCE OR NEAR THIS APPLIANCE.
2. DO NOT SPRAY AEROSOLS IN THE VICINITY OF THIS APPLIANCE WHILE IT IS IN OPERATION.
3. DO NOT MODIFY THIS APPLIANCE.
4. DO NOT PLACE ARTICLES ON OR AGAINST THIS APPLIANCE.
5. DO NOT USE OR STORE FLAMMABLE MATERIALS IN OR NEAR THIS APPLIANCE.

WARNING:

FIRE OR EXPLOSION HAZARD

Failure to follow safety warnings exactly could result in serious injury, death or property damage.

- Do not store or use gasoline or other flammable vapors and liquids in the vicinity of this or any other appliance.
- **WHAT TO DO IF YOU SMELL GAS:**
 - Do not try to light any appliance.
 - Do not touch any electrical switch; do not use any phone in your building.
 - Clear the room, building, or area of all occupants.
 - Immediately call your gas supplier from a neighbor's phone. Follow the gas supplier's instructions.
 - If you cannot reach your gas supplier, call the fire department.
- Installation and service must be performed by a qualified installer, service agency, or the gas supplier.

WARNING: Gas leaks cannot always be detected by smell.

For more information, contact your gas supplier.

If a gas leak is detected, follow the "What to do if you smell gas" instructions.

IMPORTANT SAFETY INSTRUCTIONS

When discarding or storing your old clothes dryer, remove the door.

SAVE THESE INSTRUCTIONS

IMPORTANT SAFETY INSTRUCTIONS

WARNING: To reduce the risk of fire, electric shock, or injury to persons when using the dryer, follow basic precautions, including the following:



- Read all instructions before using the dryer.
- This dryer is intended only for drying clothes and textiles that have been washed in water. Do not use for any other purpose.
- **WARNING:** If you smell gas, do not use the dryer or any electrical equipment nearby. Warn other people to clear the area. Contact the dryer owner immediately.
- If it is unavoidable that fabrics that contain vegetable or cooking oil or that have been contaminated by hair care products be placed in a tumble dryer, they should first be washed in hot water with extra detergent – this will reduce, but not eliminate the hazard.
- To reduce the risk of fire due to contaminated loads, the final part of a tumble dryer cycle occurs without heat (cool down period). Avoid stopping a tumble dryer before the end of the drying cycle unless all items are quickly removed and spread out so that the heat is dissipated.
- Do not dry articles that have been previously cleaned in, washed in, soaked in, or spotted with gas, dry-cleaning solvents, other flammable, or explosive substances as they give off vapors that could ignite or explode.
- Items that have been soiled with substances such as cooking oil, acetone, alcohol, gas, kerosene, spot removers, turpentine, waxes, and wax removers should be washed in hot water with extra detergent before being dried in the dryer.
- Do not dry unwashed items in the dryer.
- Do not use this dryer if industrial chemicals have been used for cleaning. The possible presence of residual quantities of aggressive or decomposed chemicals in the load may produce damage to the dryer and harmful fumes.
- Risk of Suffocation and Injury from Entrapment: Do not allow children to play on or in the appliance. Close supervision of children is necessary which the appliance is used near children.
- This dryer is not intended for use by persons (including children aged from 8 years and above) with reduced physical, sensory, or mental capabilities, or lack of experience or knowledge, unless they have been given supervision or instruction concerning use of the dryer by a person responsible for their safety.
- Before the dryer is removed from service or discarded, remove the door to the dryer compartment.
- Only authorised spare parts shall be used in the event of failure.
- Do not reach into the dryer if the drum is moving.
- Do not open door while dryer is in operation. It will stop.
- When loading or re-loading the dryer, avoid touching hot metal parts of the drum (burn risk).
- Remove all objects from pockets such as lighters and matches.
- The appliance must be disconnected from its power source during service and when replacing parts.
- If drum rotation is blocked due to trapped textiles, disconnect the dryer from the electrical supply before gently removing the blockage.
- If the dryer is not heating, or appears to be defective or damaged, do not use it. If there is an error code, do not use the dryer. Contact the owner.
- Do not install or store the dryer where it will be exposed to the weather.
- Do not tamper with controls.
- Clean dryer lint screen before or after each load.
- Do not use this dryer without the lint screen in place.
- Do not repair or replace any part of the dryer or attempt any servicing unless specifically recommended in this Installation Instructions that you understand and have the skills to carry out.
- Fabric softeners, or similar products, should be used as specified by the fabric softener instructions.
- Items such as foam rubber (latex foam), shower caps, waterproof textiles, rubber-backed articles and clothes or pillows fitted with foam rubber pads should not be dried in the tumble dryer.
- The final part of a tumble dryer cycle occurs without heat (cool-down cycle) to ensure that the articles are left at a temperature that ensures that the items will not be damaged.
- **WARNING:** Never stop a tumble dryer before the end of the drying cycle unless all items are quickly removed and spread out so that the heat is dissipated. (Avoids risk of spontaneous combustion).
- In case of electrical supply failure, remove the load quickly and spread it out to avoid risk of spontaneous combustion.
- Keep area around the exhaust opening and adjacent surrounding areas free from the accumulation of lint, dust, and dirt.
- The fresh air ventilation openings into the room and into the dryer must not be blocked or sealed.
- Do not use replacement parts that have not been recommended by the manufacturer (e.g. parts made at home using a 3D printer).
- Emergency stop control: After installation, access to mains plug (gas dryer) via a double-pole switch must be maintained at all times in order to ensure immediate deactivation of the dryer in case of emergency.
- The interior of the dryer and dryer exhaust vent should be cleaned periodically by Whirlpool authorised service personnel.

SAVE THESE INSTRUCTIONS

-continued on next page-

- Cleaning and user maintenance shall not be made by children without supervision.
- **WARNING:** The appliance must not be supplied through an external switching device, such as a timer, or connected to a circuit that is regularly switched on and off by a utility.
- The dryer must not be installed behind a lockable door, a sliding door, or a door with a hinge on the opposite side to that of the dryer in such a way that full opening of the dryer door is restricted.
- The appliance is intended, but not limited, to be used in public areas.
- Children of less than 3 years should be kept away unless continuously supervised.
- This appliance incorporates an earth connection for functional purposes only.
- IEC Load Capacity - 10.5 kg.
- Exhaust air must not be discharged into a flue which is used for exhausting fumes from appliances burning gas or other fuels.
- Do not use an unlined masonry chimney as the flue for this appliance.
- If an error code is displayed, contact the owner. The owner shall call service.
- Do not use or store flammable materials in or near this appliance.
- Do not place articles on or against this appliance.
- Exhaust air shall not be discharged into a flue which is used for other appliances.
- See “Electrical Requirements” section for earthing instructions.
- Adequate ventilation has to be provided to avoid the back-flow of gases into the room from appliances burning fuels, including open fires.
- Oil-affected items can ignite spontaneously, especially when exposed to heat sources such as in a tumbler dryer. The items become warm, causing an oxidation reaction in the oil. Oxidation creates heat. If the heat cannot escape, the items can become hot enough to catch fire. Piling, stacking or storing oil-affected items can prevent heat from escaping and so create a fire hazard.
- See DIMENSIONS/CLEARANCES section for minimum installation spacing requirements.
- This dryer is not fitted with a supply cord and a plug. Means for disconnection from the supply mains having a contact separation in all poles that provide full disconnection under over-voltage category III conditions must be provided, otherwise means for disconnection must be incorporated in the fixed wiring in accordance with the wiring rules.
- The design of this dryer has been approved for uses at altitudes up to 3,048 m (10,000 feet) above sea level at the B.T.U. rating indicated on the model/serial plate. Burner input adjustments are not required when the dryer is operated up to this elevation. For installing this product above 3048 m (10,000 ft), contact your local maytag or similarly qualified service company.
- This appliance must be installed on a concrete or similar floor suitable for this appliance weight.

SAVE THESE INSTRUCTIONS

MAINTENANCE INSTRUCTIONS

- Clean lint screen before and after each cycle.
- Removing accumulated lint:
From inside the dryer cabinet:
Lint should be removed every 2 years or more often, depending on dryer usage. Cleaning should be done by a Whirlpool authorised person.
From the exhaust vent:
Lint should be removed every 2 years, or more often, depending on dryer usage.
- Keep area around dryer clear and free from combustible materials, gas, and other flammable vapors and liquids.
- Keep dryer area clear and free from items that would obstruct the flow of combustion and ventilation air.

If dryer does not operate, check the following:

- Electrical supply is connected.
- Circuit breaker is not tripped or house fuse is not blown.
- Door is closed. Listen closely to hear the door switch activate.
- Controls are set in a running or “on” position.
- For gas dryers, check that gas supply shut-off valves are set in open position.

WARNING: Improper connection of the equipment-earthing conductor can result in a risk of electric shock. It is your responsibility to check with a qualified electrician or service representative if you are in doubt as to whether the dryer is properly earthed and meets all local codes and ordinances. Do not modify the plug provided with the dryer: If it will not fit the outlet, have a proper outlet installed by a qualified electrician.

IF YOU NEED ASSISTANCE

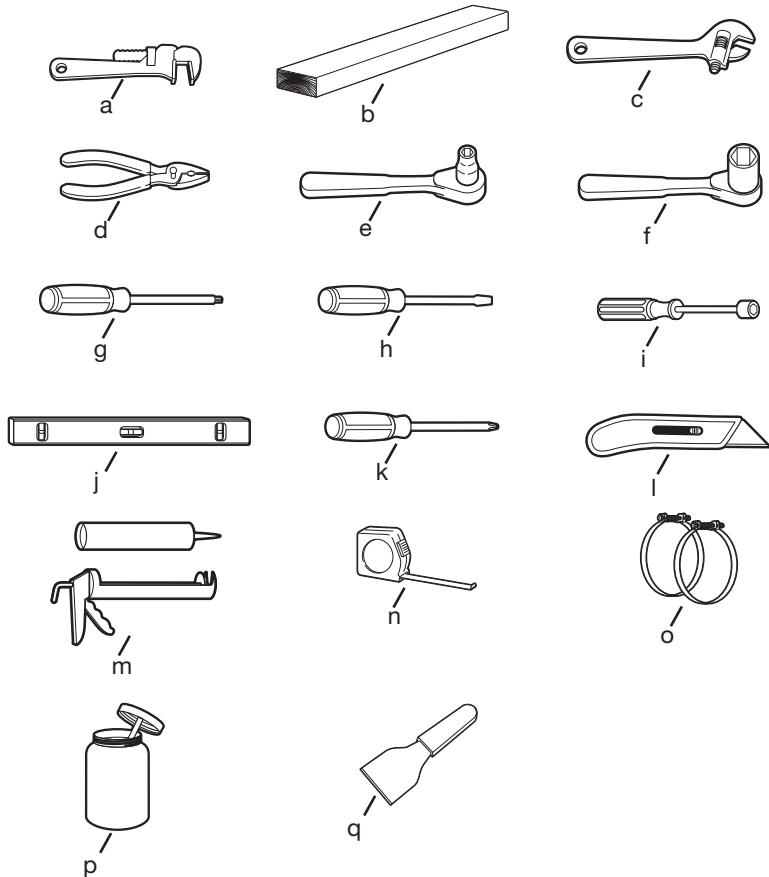
If you need help, contact the dealer from whom you purchased the appliance, or a Maytag designated service company. When calling, please know the purchase date and the complete model and serial number of your appliance. This information will help us to better respond to your request.

IF YOU NEED SERVICE:

Contact your authorised Maytag Commercial Laundry distributor. To locate your authorised Maytag Commercial Laundry distributor, visit www.maytagcommerciallaundry.com.

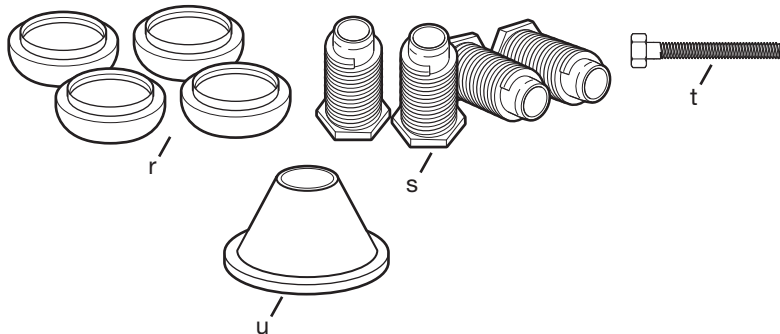
TOOLS AND PARTS

Tools and parts needed



- a. 8" (200 mm) or 10" (250 mm) pipe wrench
- b. 27" (686 mm) wood block
- c. 8" (200 mm) or 10" (250 mm) adjustable wrench opens to 1" (25 mm)
- d. Pliers open to 1⁹/₁₆" (39 mm)
- e. 5/16" (8 mm) socket wrench
- f. 1" (25 mm) hex-head socket wrench
- g. Philips screwdriver
- h. Flat-blade screw driver
- i. 1/4" (6 mm) nut driver
- j. Level
- k. TORX® T20®† security screwdriver or bit
- l. Utility knife
- m. Caulk gun and caulk for installing new exhaust vent
- n. Ruler or measuring tape
- o. Vent clamps
- p. Pipe-joint compound suitable for gas type
- q. Putty knife

PARTS SUPPLIED (actual parts supplied depends on model):



- r. Foot boot (4)
- s. Leveling leg (4)
- t. 5/16" hex-head 18 x 2¹/₂" security bolt (PD models only)
- u. Security cone (PD models only)

NOTE: The circuit diagram for this dryer is located inside the lower front panel, within the Tech Sheets.

Technical Specifications:

230 V, 60 Hz AC

4575 W

Total mass: 68 kg maximum

†®TORX and T20 are trademarks of Acument Intellectual Properties, LLC.

SPECIFICATIONS

These units are sold in multiple regions with different requirements for measuring capacity. Below are a few of the valid forms of measure posted on this product:

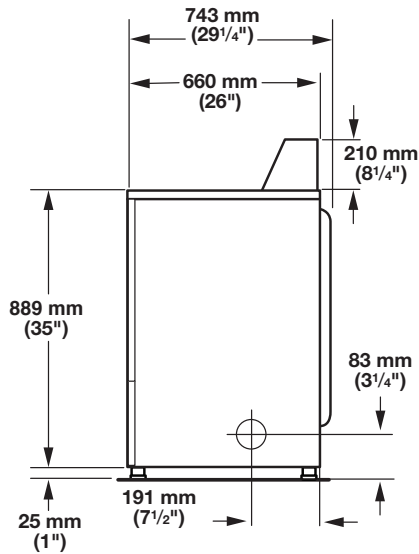
Dry Linen Capacity: A weight measure that reflects a minimum threshold for dry volume capacity that is needed for import tariff purposes.

IEC Capacity: The capacity measure that represents the maximum capacity of dry linens and textiles which the manufacturer declares can be treated in a specific cycle.

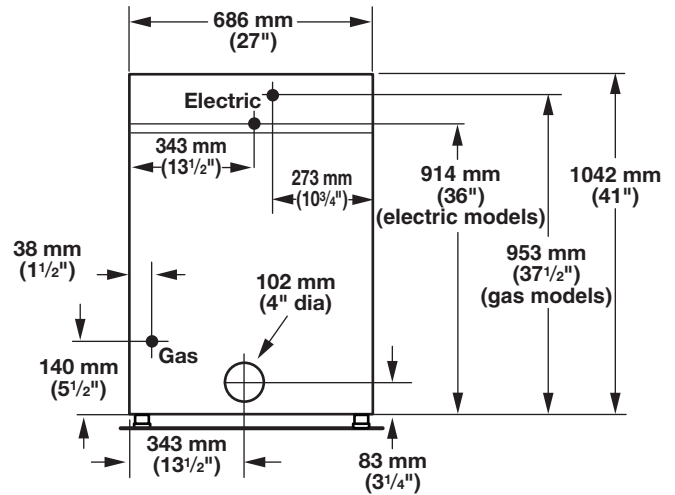
Dry Linen Capacity
10.5 kg (23 lbs)
IEC Capacity
10.5 kg (23 lbs)
Sound Level
LpA: 58 dB(A) (kPa+/-10 dB(A))

Dimensions

Side View

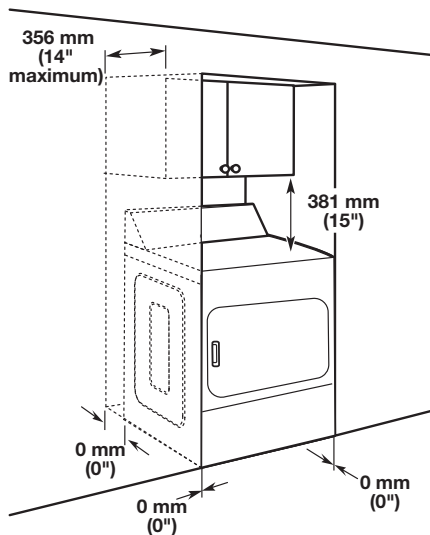


Back View

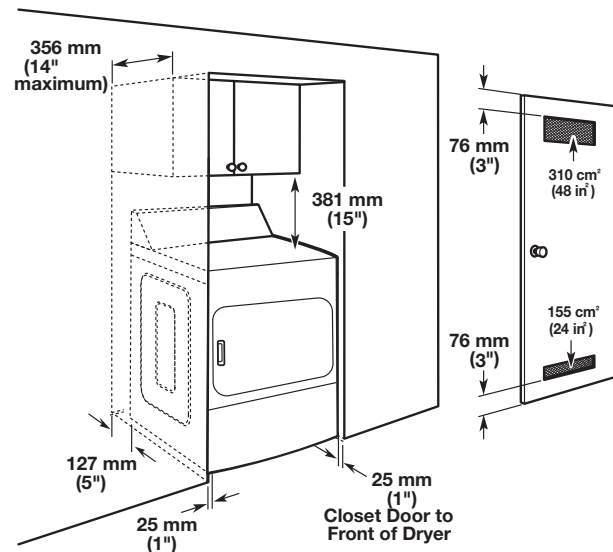


Clearances

Front View, Recessed Opening



Side View, Recessed In Closet



LOCATION REQUIREMENTS

⚠ WARNING



Explosion Hazard

Keep flammable materials and vapors, such as gasoline, away from dryer.

Do not dry anything that has ever had anything flammable on it (even after washing).

Place dryer at least 18 inches (460 mm) above the floor for a garage installation.

Failure to do so can result in death, explosion, or fire.

Your dryer can be installed in a basement, laundry room, or recessed area.

This dryer is not intended for installation in a mobile home. An adapter kit per this install instruction is required for this dryer to be used for a Manufactured/Mobile home.

Companion appliance location requirements should also be considered.

IMPORTANT: Do not install or store the dryer where it will be exposed to the weather. Proper installation is your responsibility.

You will need:

- A grounded electrical outlet located within 1.8 m (6 ft) of where the power cord is attached to the back of the dryer. See “Electrical Requirements.”
- A level floor with a maximum slope of 25 mm (1") under entire dryer. Installing the dryer on soft floor surfaces, such as carpets or surfaces with foam backing, is not recommended.

Dryer installation clearances

- The location must be large enough to allow the dryer door to be fully opened.
- Additional spacing should be considered for ease of installation and servicing. The door opens more than 180°.
- Additional clearances might be required for wall, door, and floor moldings.
- Additional spacing of 25 mm (1") on all sides of the dryer is recommended to reduce noise transfer.

When installing a dryer:

IMPORTANT: Observe all governing codes and ordinances.

- **Check code requirements:** Some codes limit or do not permit installation of clothes dryers in garages, closets, or sleeping quarters. Contact your local building inspector.
- **Gas Dryers only:** Make sure that lower edges of the cabinet, plus the back and bottom sides of the dryer, are free of obstructions to permit adequate clearance of air openings for combustion air. See “Recessed Area and Closet Installation Instructions” below for minimum spacing requirements.

Recessed Area and Closet Installation Instructions

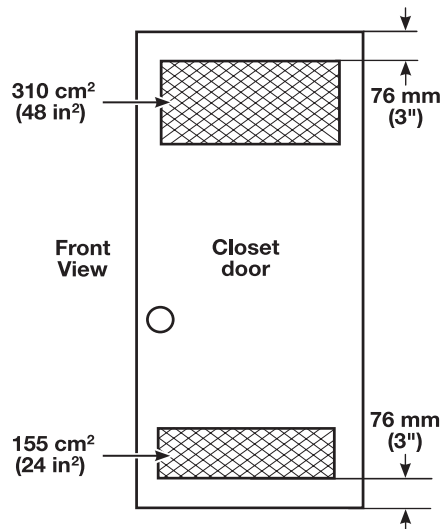
This dryer may be installed in a recessed area or closet. For recessed area and closet installations, minimum clearances can be found on the warning label on the rear of the dryer or in “Dimensions/Clearances.”

The installation spacing is in millimeters and is the minimum allowable. Additional spacing should be considered for ease of installation, servicing, and compliance with local codes and ordinances.

If closet door is installed, the minimum unobstructed air opening in the top and bottom of the door shall be depicted in below diagram. Louvered door with equivalent air openings is acceptable.

The dryer must be exhausted outdoors.

No other fuel-burning appliance may be installed in the same closet as the dryer.



GAS DRYER ELECTRICAL REQUIREMENTS

⚠ WARNING



Dangerous Voltage

IMPORTANT: Observe all governing codes and ordinances.

This dryer is supplied without an electric cord and plug. It must be connected by a Whirlpool authorised service person to a single-phase electricity supply at the voltage shown on the data plate, using a suitable fixed wiring installation in accordance with local and national wiring regulations.


- A 3-wire circular cord of minimum conductor size 4.0 mm² cross-section area should be used.
- A 230 V, 60 Hz, fused electrical supply is required. A time-delay 10–16 A fuse or circuit breaker is recommended, and a switch with a clear OFF marking having a contact separation in both poles that provides full disconnection under over-voltage category III conditions must be incorporated into the fixed wiring in accordance with local wiring regulations. The dryer should be positioned so that the disconnection switch is clearly visible and easily accessible to the user. This disconnection switch also provides the function of an emergency stop control for the user.

- A cord clamp bushing is provided on the dryer, and should be tightened on completion of wiring. The electrical mains terminals are located behind the small rear access panel (terminal block cover), and connections should be made in accordance with the terminal markings. Remember to replace the terminal access panel (terminal block cover).
- Philippines: Outlet must comply with Philippine National Standard PNS 1572:1997 Annex A, 250 V, 10/15 A, 2-pole, 3-wire, grounding receptacle.

NOTE: In accordance with the European EMC Directive (2014/30/EU), the maximum electricity supply system impedance to which the gas dryer should be connected is declared to be $0.054 \Omega + j0.034 \Omega$.

NOTE: Electrical safety standards: The manufacturer has chosen compliance with IEC/EN.60335 standards as the most appropriate for this product.

⚠ WARNING



Electrical Shock Hazard

This is a 3-wire appliance which must be earthed.

Securely tighten all electrical connections.

Failure to follow these instructions could result in death, fire, or electric shock.

If codes permit and an additional ground bond wire is used, it is recommended that a qualified electrician determine that the ground bond path is adequate.

Recommended Earthing Method:


It is your responsibility to contact a qualified electrical installer to ensure that the electrical installation is adequate and in conformance with all local codes and ordinances.

Do not earth to a gas pipe.

GAS REQUIREMENTS

Gas Supply

⚠ WARNING



Explosion Hazard

Use a new CSA International approved gas supply line.

Install a shut-off valve.

Securely tighten all gas connections.

If connected to LP, have a qualified person make sure gas pressure does not exceed 13" (33 cm) water column.

Examples of a qualified person include:

licensed heating personnel,

authorized gas company personnel, and

authorized service personnel.

Failure to do so can result in death, explosion, or fire.

Before installation, check that the local gas distribution conditions, nature of gas and pressure, and the adjustment of the appliance are compatible. Burner information will be found on the model/serial rating plate in the door recess of the dryer. If this information does not agree with the type of gas available, see your dealer.

Natural Gas:

This dryer is factory adjusted for use with NATURAL GAS (G20), and no further adjustment should be required at installation.

L.P. Gas:

This dryer is also certified for use with L.P. (propane or butane) gases with appropriate conversion. No attempt shall be made to convert the appliance from the gas specified on the model/serial rating plate for use with a different gas without consulting the serving gas supplier.

Supply line requirements:

Provide a rigid gas supply line to the dryer location. It should be minimum 12.5 mm (1/2") ID. When acceptable to the gas supplier and local codes, 10 mm (3/8") ID rigid supply line may be used for lengths under 6.1 m (20'). Pipe-joint compounds resistant to the action of L.P. gas must be used.

Gas connection to the dryer itself should be made by means of a flexible gas hose suitable for the appliance and gas category in accordance with national installation regulations. If in doubt, contact the gas supplier. It should be minimum 10 mm (3/8") ID.

A means of restraint should be used between the dryer and the wall to avoid straining of the rigid gas supply when the dryer is moved. An appropriate length of chain and a wall hook is recommended.

The dryer gas inlet connection is a 3/8" NPT thread. An adapter is supplied for conversion to standard ISO.228-1 thread (3/8" BSP).

Check for leaks by using an approved noncorrosive leak detection solution. Bubbles will show a leak. Correct any leak found. A pressure measurement tapping is provided on the gas valve within the dryer, accessible after removal of the lower front panel.

The dryer must be disconnected from the gas supply piping system during any pressure testing of that system.

DRYER VENTING REQUIREMENTS

⚠ **WARNING**



Fire Hazard

Use a heavy metal vent.

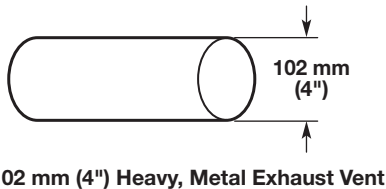
Do not use a plastic vent.

Do not use a metal foil vent.

Failure to follow these instructions can result in death or fire.

WARNING: To reduce the risk of fire, this dryer **MUST BE EXHAUSTED OUTDOORS.**

Dryer exhaust must not be connected into any gas vent, chimney, wall, ceiling, attic, crawl space, or a concealed space of a building. Only rigid or flexible metal vent shall be used for exhausting.



- Only a 102 mm (4") heavy, metal exhaust vent and clamps may be used.
- Do not use plastic or metal foil vent.

Rigid metal vent:

- Recommended for best drying performance and to avoid crushing and kinking.

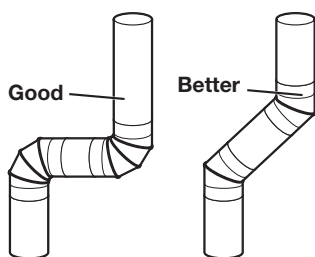
Flexible metal vent: (Acceptable only if accessible to clean)

- Must be fully extended and supported in final dryer location.
- Remove excess to avoid sagging and kinking that may result in reduced airflow and poor performance.
- Do not install in enclosed walls, ceilings, or floors.
- The total length should not exceed 2.4 m (7¾ ft).

NOTE: If using an existing vent system, clean lint from entire length of the system and make sure exhaust hood is not plugged with lint. Replace plastic or metal foil vents with rigid metal or flexible metal vents. Review "Vent System Chart" and if necessary, modify existing vent system to achieve best drying performance.

Elbows:

- 45° elbows provide better airflow than 90° elbows.



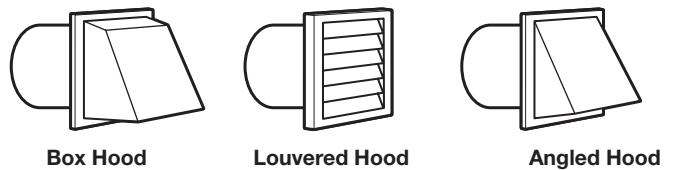
Clamps:

- Use clamps to seal all joints.
- Exhaust vent must not be connected or secured with screws or other fastening devices that extend into interior of duct and catch lint. Do not use duct tape.

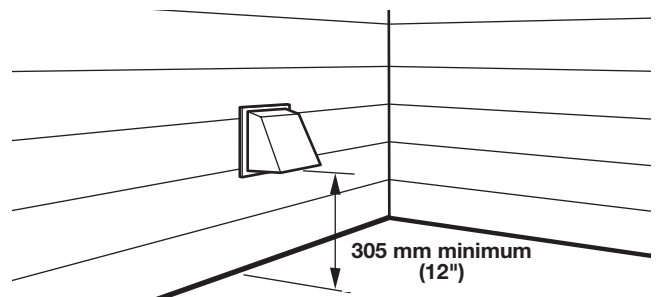


Vent Hoods

102 mm (4") Diameter Exhaust Hoods



Exhaust hood must be at least 305 mm (12") from the ground or any object that may be in the path of the exhaust (such as flowers, rocks, bushes, or snow).



Vent System Length

Maximum Vent Length/Vent Connection

Maximum length of vent system depends upon the type of vent used, number of elbows, and type of exhaust hood.

Vent System Chart (Rigid Metal Vent)

No. of 90° Turns	Box and Louvered Hood	Angled Hood
0	39.6 m (130 ft)	39.3 m (129 ft)
1	38.1 m (125 ft)	36.3 m (119 ft)
2	35.1 m (115 ft)	33.2 m (109 ft)
3	32.3 m (106 ft)	30.5 m (100 ft)
4	29.9 m (98 ft)	28.0 m (92 ft)

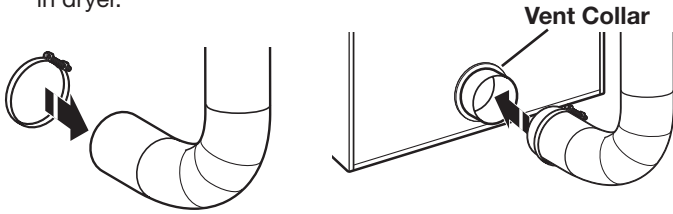
For vent systems not covered by the vent specification chart, see your parts distributor.

Provision must be made for enough air for combustion and ventilation. (Check governing codes and ordinances.) See "Recessed Area and Closet Installation Instructions" in the "Location Requirements" section.

A 102 mm (4") outlet hood is preferred. However, a 64 mm (2½") outlet exhaust hood may be used. A 64 mm (2½") outlet creates greater back pressure than other hood types. For permanent installation, a stationary vent system is required.

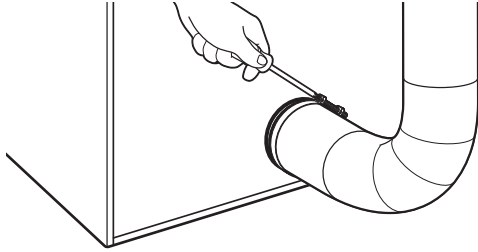
Connect Vent

1. If connecting to existing vent, make sure the vent is clean.
2. Using a 102 mm (4") clamp, connect vent to exhaust outlet in dryer.

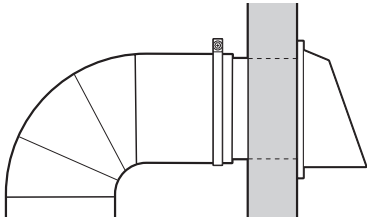


NOTE: Do not remove vent collar.

3. Tighten hose clamp with Phillips screwdriver.



4. Make sure the vent is secured to exhaust hood with a 102 mm (4") clamp.

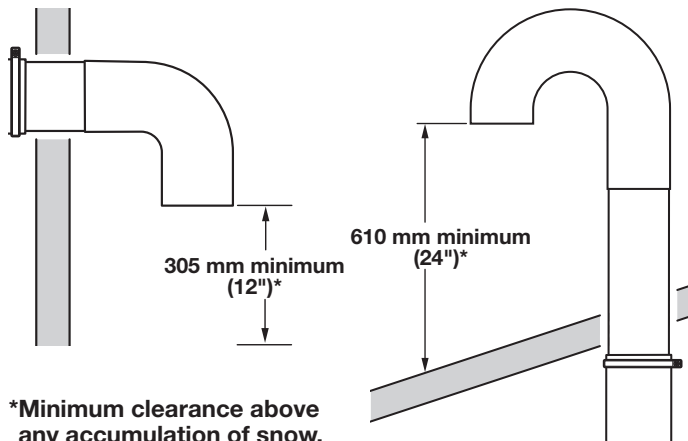


5. Move dryer into final position. Do not crush or kink vent. Make sure dryer is level.

NOTE: Testing for proper ventilation should be done with a Manometer. Minimum: 0.2 mm (0.01"). Maximum: 16 mm (0.6").

If an Exhaust Hood Cannot be Used

The outside end of main vent should have a sweep elbow directed downward.



*Minimum clearance above any accumulation of snow, ice, or debris such as leaves

If main vent travels vertically through the roof, rather than through wall, install a 180° sweep elbow on end of vent at least 610 mm (2 ft) above surface of roof.

The opening in wall or roof shall have a diameter 13 mm (1/2") larger than vent diameter. Vent should be centered in opening. Do not install screening over end of vent for best performance.

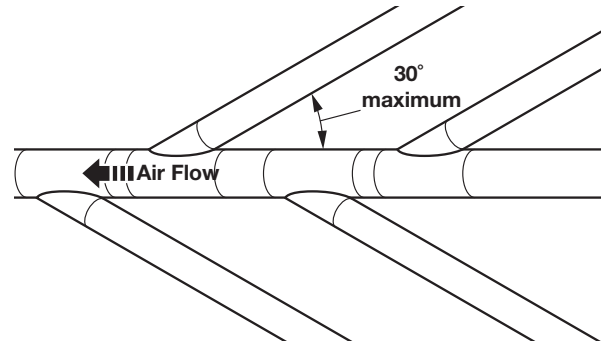
Multiple Dryer Venting

A main vent can be used for venting a group of dryers. The main vent should be sized to remove 5,663 L/min (200 CFM) of air per dryer. Large-capacity lint screens of proper design may be used in main vent if checked and cleaned frequently. The room where the dryers are located should have make-up air equal to or greater than CFM of all the dryers in the room.

Back-draft dampers are available from your distributor and should be installed in the vent of each dryer to keep exhausted air from returning into dryers and to keep exhaust in balance within main vent. Unobstructed return air openings are required.

Although usually each single-load dryer should have an unobstructed outdoor air opening of 155 cm² (24 in²) (based on 6.5 cm² [1 in²] per 252 kcal [1,000 B.T.U.]), common make-up air openings are also acceptable. Set up common openings so the make-up air is distributed equally to all of the dryers. Keep in mind that the coverage area must be increased by 33% to account for the use of registers or louvers over the openings. Also, make-up air openings should not be installed near the location where exhaust vents exit the building.

Each vent should enter the main vent at an angle pointing in the direction of the airflow. Vents entering from the opposite side should be staggered to reduce the exhausted air from interfering with the other vents.



The maximum angle of each vent entering the main vent should be no more than 30°.

Keep air openings free of dry cleaning fluid fumes. Fumes create acids which, when drawn through the dryer heating units, can damage dryers and items being dried.

A clean-out cover should be located on the main vent for periodic cleaning of the vent system.

NOTE: For more dryer venting information, please refer to Whirlpool document W10100920.

INSTALLING LEVELING LEGS AND COIN BOX

The console houses the electronic control board. The board is factory set for a dry time of 30 minutes. Consult the tech sheet found inside the dryer toe panel to reset dry time and for other options.

The card reading mechanism is not included, but is available from your usual industry sources.

⚠ WARNING

Excessive Weight Hazard

Use two or more people to move and install dryer.

Failure to do so can result in back or other injury.

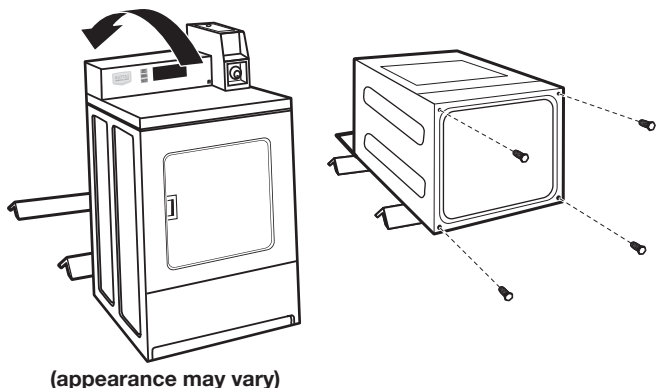
1. Prepare dryer for leveling legs

NOTE: Slide dryer onto cardboard or hardboard before moving to avoid damaging floor covering.

Using two or more people, move dryer to desired installation location.

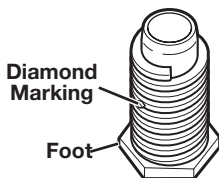
Take tape off front corners of dryer. Open dryer and remove the literature and parts packages. Wipe drum interior with a damp cloth to remove any dust.

Take two cardboard corners from the dryer carton and place them on the floor in back of the dryer. Firmly grasp the body of the dryer and gently lay it on its back on the cardboard corners. Disconnect power before making electrical connections.



2. Screw in leveling legs

Examine leveling legs and find diamond marking. Screw legs into leg holes by hand. Use an adjustable wrench or 25 mm (1") hex-head socket wrench to finish turning legs until diamond marking is no longer visible. Then fit a covered foot boot over each leg foot.



To protect the floor, use a large piece of cardboard from the dryer carton. Stand dryer up on the cardboard. Slide the dryer until it is close to its final location. Leave enough room for electrical connection and to connect the exhaust vent.

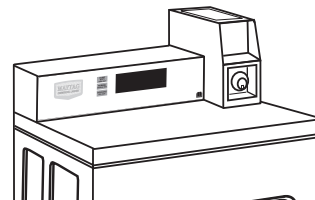
A longer leveling foot is available if needed on extremely sloped floors, Part Number 279810.

The meter case houses the factory-installed accumulator timer with actuating arm or service switch.

The service door lock and key and coin box lock and key may not be included but are available from the usual industry sources.

1. Install coin box

Remove the service door of the meter case by lifting it up at the back. Install the money-accepting device. (Refer to manufacturer's instructions for proper installation.)



Replace the meter case service door. Put the coin vault with lock and key in the meter case opening.

Remove cardboard or hardboard from under dryer. Adjust the legs of the dryer up or down until the dryer is level.

2. Install added security device

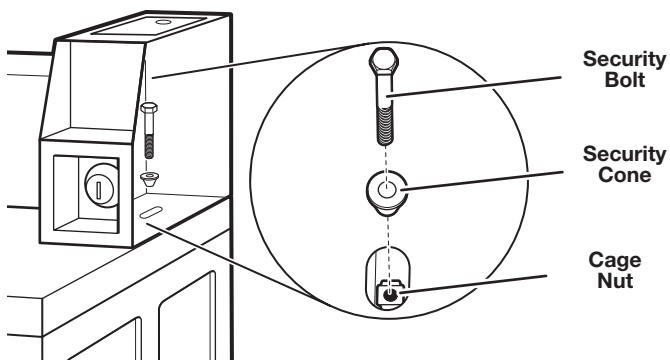
Check that power is not supplied to the dryer.

Open and remove the service door.

Insert the narrow part of the security cone into the oblong hole in the bottom rear of the meter case assembly.

Pass the security bolt through this cone and thread it by hand into the cage nut below the oblong hole.

Tighten the security bolt by hand a few turns before using a wrench to tighten until snug.



NOTE: Installing the security bolt provides added security, but will add to the service time when the top needs to be removed for servicing the dryer.

LEVELING

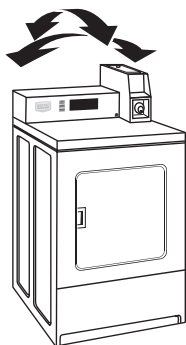
Leveling your dryer properly reduces excess noise and vibration.

⚠ WARNING

Excessive Weight Hazard

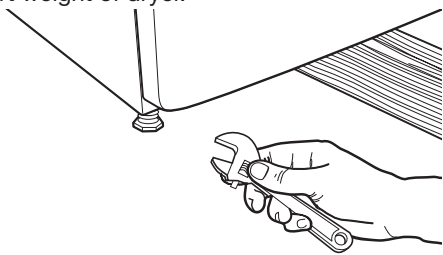
**Use two or more people to move and install dryer.
Failure to do so can result in back or other injury.**

1. Remove cardboard from beneath dryer. Place a level on top edges of dryer, checking each side and front. If not level, tip dryer and adjust legs up or down as shown in Step 3, repeating as necessary.
2. Grip dryer from top and rock back and forth, making sure all four legs are firmly on floor. Repeat, rocking dryer from side to side. If dryer rocks, go to Step 3 and adjust leveling legs.



3. If dryer is not level, use a 25 mm or 1" open-end or adjustable wrench to turn the leveling leg counterclockwise to lower the dryer or clockwise to raise the dryer. Recheck levelness of dryer and that all four legs are firmly in contact with the floor. Repeat as needed.

HELPFUL TIP: You may want to prop up front of dryer about 102 mm (4") with a wood block or similar object that will support weight of dryer.



GAS SUPPLY CONNECTION (on some models)

Make Gas Connection

⚠ WARNING



Explosion Hazard

**Use a new CSA International approved gas supply line.
Install a shut-off valve.**

Securely tighten all gas connections.

If connected to LP, have a qualified person make sure gas pressure does not exceed 13" (33 cm) water column.

**Examples of a qualified person include:
licensed heating personnel,
authorized gas company personnel, and
authorized service personnel.**

Failure to do so can result in death, explosion, or fire.

1. Remove red cap from the dryer gas supply line.
2. Connect gas supply to dryer. If the flexible gas hose has 10 mm (3/8") BSP thread, use the supplied conversion thread adapter. Use pipe-joint compound resistant to the action of L.P. gas for gas connections.
If necessary for service, open the toe panel. Use a putty knife to press on the 2 toe panel locks located at the top of the toe panel. Pull downward on the toe panel to open. Toe panel is hinged at the bottom.
3. Open the shut-off valve in the gas supply line and make sure the dryer has its own gas supply opened.
4. Test all connections by brushing on an approved noncorrosive leak-detection solution. Bubbles will show a leak. Correct any leaks found.

TECHNICAL SPECIFICATIONS – GAS DRYER

230 V, 60 Hz 1ph 10 A maximum IPX4 Clothes capacity: 10.5 kg maximum Sound pressure level, LpA: 58 dB(A) (uncertainty, kPa: +/-10 dB(A)) Total mass: 74 kg maximum.

Factory set for NATURAL GAS: Injector size: 2.2 mm; Heat input gross: 5.9 kW	
Supply Pressure (G20):	20 mbar
Factory adjusted Pressure:	7.4 mbar
With L.P. gas Conversion Kit Injector size: 1.25 mm; Heat input gross: 6.4 kW	
Butane Supply Pressure (G30):	28-30 mbar
L.P. Supply Pressure (G31):	37 mbar

NOTE: Conversion kit: From Natural Gas to L.P. Gas - Europe: Whirlpool Part No. W10233219.

Manufacturer: Whirlpool Corporation, Benton Harbor, Michigan 49022, U.S.A.

Manufacturing Site: Whirlpool Corporation, 1300 Marion-Agosta Rd., Marion, OH, 43302, U.S.A.

EU Representatives: Whirlpool EMEA S.p.A., Via Carlo Pisacane, 1, 20016 Pero (MI) Italy.

COMPLETE INSTALLATION

1. Check the electrical requirements. Be sure that you have the correct electrical supply and the recommended earthing method. See "Electrical Requirements."
2. Check that all parts are now installed. If there is an extra part, go back through the steps.
3. Check that you have all of your tools.
4. Dispose of/recycle all packaging materials.

⚠ WARNING



Electrical Shock Hazard

Plug into a grounded 3 or 4 prong outlet.

Do not remove ground prong.

Do not use an adapter.

Do not use an extension cord.

Failure to follow these instructions can result in death, fire, or electrical shock.

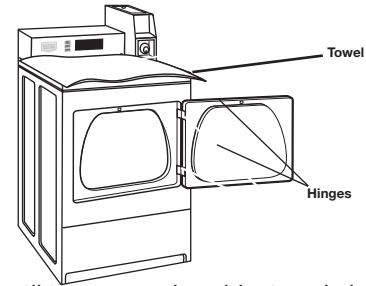
5. Plug into an grounded outlet, or connect power.
6. Check dryer operation. Close dryer door. Set the cycle. Operating time will accumulate per number of coins.
Using a full heat cycle (not the air cycle), let the dryer run for at least five minutes. Dryer will stop when time is used up. Make sure the dryer turns off.
NOTE: Dryer door must be closed for dryer to operate. When door is open, dryer stops, but timer continues to run.
7. **Gas Models only:** Open the dryer door. Check that the inside of the dryer is warm. If the burner does not ignite and you can feel no heat inside the dryer, shut off dryer for 5 minutes. Check that all supply valve controls are in "ON" position and that the electrical cord is plugged in. Repeat five-minute test.
8. If drying time is too long, make sure that the lint screen is clean and that there are no obstructions to airflow in the dryer vent system.
9. Restart the dryer and allow it to complete a full heat cycle (not air cycle) to make sure it is working properly.

REVERSING DRYER DOOR SWING (OPTIONAL)

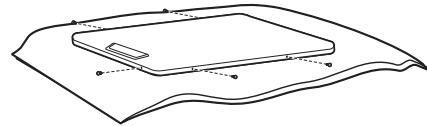
You can change your door swing from a right-side opening to left-side opening, if desired.

Remove the Door Assembly

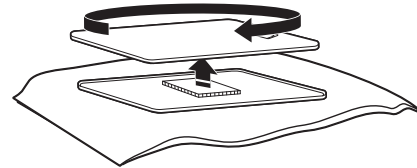
1. Place a towel or soft cloth on top of dryer or work space to avoid scratching of the surface.
2. Open dryer door. Remove bottom screws from cabinet side of hinges. Loosen (do not remove) top screws from cabinet side of hinges.



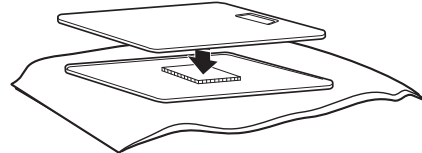
3. Lift door until top screws in cabinet are in large part of hinge slot. Pull forward off screws. Set door (handle side up) on top of dryer. Remove top screws from cabinet.
4. Remove screws attaching hinges to door.
5. Remove screws at top, bottom, and side of door (5 screws).



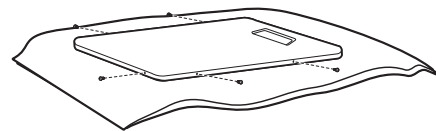
6. Holding door over towel on dryer, grasp sides of outer door and gently lift to separate it from inner door. Do not use a putty knife to pry apart. Do not pull on door seal or plastic door catch.



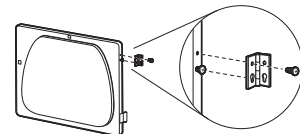
7. Be certain to keep cardboard spacer centered between doors. Reattach outer door panel to inner door panel so handle is on the side where hinges were just removed.



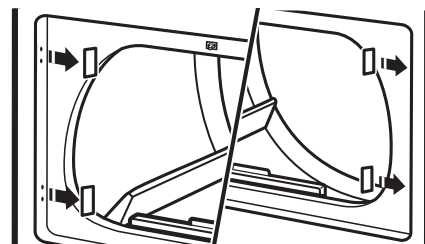
8. Reattach screws at top, bottom, and side of door (5 screws).



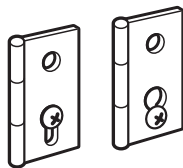
9. Attach door hinges to dryer door so that larger hole is at the bottom of the hinge and the hinge pin is toward the door front.



10. Remove the two labels from left side and move to right side. If labels are damaged, order part number W11481394.



11. Insert screws into bottom holes on left side of cabinet. Tighten screws halfway. Position door so large end of door hinge slot is over screws. Slide door up so screws are in bottom of slots. Tighten screws. Insert and tighten top screws in hinges.



12. Close door and check that door strike aligns with door catch. If needed, slide door catch left or right within slot to adjust alignment.

DRYER DISPOSAL



This appliance is marked according to the European directive 2002/ 96/ EC on Waste Electrical and Electronic Equipment (WEEE).

By ensuring this product is disposed of correctly, you will help avoid potential negative consequences for the environment and human health, which could otherwise be caused by inappropriate waste handling of this product.

The symbol on the product, or on the documents accompanying the product, indicates that this appliance may not be treated as household waste. Instead it shall be handed over to the applicable collection point for the recycling of electrical and electronic equipment.

Disposal must be carried out in accordance with local environmental regulations for waste disposal.

For more detailed information about treatment, recovery and recycling of this product, please contact your local city office, your household waste disposal service or the shop where you purchased the product.

MODEL NOMENCLATURE:

MDG – Maytag Gas

T – Series Revision

20 – Model Type Number

K – 230 V 60 Hz

MN – Timer Non-Pay

W – White

IMPORTANT SAFETY INSTRUCTIONS

When discarding or storing your old clothes dryer, remove the door.

SAVE THESE INSTRUCTIONS

SÉCURITÉ DU SÈCHE-LINGE

Votre sécurité et celle des autres est très importante.

Nous donnons de nombreux messages de sécurité importants dans ce manuel et sur votre appareil ménager. Assurez-vous de toujours lire tous les messages de sécurité et de vous y conformer.



Voici le symbole d'alerte de sécurité.

Ce symbole d'alerte de sécurité vous signale les dangers potentiels de décès et de blessures graves à vous et à d'autres.

Tous les messages de sécurité suivront le symbole d'alerte de sécurité et le mot "DANGER" ou "AVERTISSEMENT". Ces mots signifient :

 **DANGER**

Risque possible de décès ou de blessure grave si vous ne suivez pas immédiatement les instructions.

 **AVERTISSEMENT**

Risque possible de décès ou de blessure grave si vous ne suivez pas les instructions.

Tous les messages de sécurité vous diront quel est le danger potentiel et vous disent comment réduire le risque de blessure et ce qui peut se produire en cas de non-respect des instructions.



AVERTISSEMENT – RISQUE D'INCENDIE /
DE MATÉRIAUX INFLAMMABLES

C'est un symbole supplémentaire d'alerte de sécurité qui des alertes vous au risque d'incendie. Des précautions doivent être prises pour éviter de provoquer un incendie en enflammant des matériaux inflammables.



AVERTISSEMENT - "Risque d'incendie"

- L'installation de la sècheuse à linge doit être effectuée par un installateur qualifié.
- Installer la sècheuse conformément aux instructions du fabricant et aux codes locaux.
- Ne pas installer de sècheuse à linge avec des matériaux d'évacuation en plastique souple ou un conduit métallique souple (de type papier d'aluminium). Si un conduit métallique souple est installé, celui-ci doit être d'un type spécifique identifié par le fabricant de l'appareil et convenir à une utilisation avec les sècheuses à linge. Les matériaux d'évacuation souples sont connus pour s'affaisser, être facilement écrasés et bloquer la charpie. Ces situations obstrueront le débit d'air de la sècheuse à linge et augmenteront le risque d'incendie.
- Pour réduire le risque de blessure grave ou de décès, suivre toutes les instructions d'installation.
- Conserver ces instructions.

- Il est recommandé au propriétaire d'afficher dans un lieu bien visible les instructions à l'intention de l'utilisateur, au cas où celui-ci détecterait une odeur de gaz. Ces informations doivent être obtenues auprès de votre fournisseur de gaz.
- Afficher l'avertissement suivant dans un lieu bien visible.

POUR VOTRE SÉCURITÉ

1. NE PAS UTILISER OU ENTREPOSER DE GAZ OU D'AUTRES MATIÈRES INFLAMMABLES DANS CET APPAREIL OU À PROXIMITÉ DE CELUI-CI.
2. NE PAS VAPORISER D'AÉROSOLS À PROXIMITÉ DE CET APPAREIL QUAND IL EST EN FONCTIONNEMENT.
3. NE PAS MODIFIER CET APPAREIL.
4. NE PLACER AUCUN ARTICLE SUR OU CONTRE CET APPAREIL.
5. NE PAS UTILISER, NI ENTREPOSER DE MATIÈRES INFLAMMABLES DANS OU À PROXIMITÉ DE CET APPAREIL.

AVERTISSEMENT :

RISQUE D'INCENDIE OU D'EXPLOSION

Le non-respect des avertissements de sécurité peut causer des dommages à la propriété, des blessures graves, voire la mort.

- Ne pas entreposer ou utiliser de l'essence ou d'autres vapeurs ou liquides inflammables à proximité de cet appareil ou de tout autre appareil électroménager.
- QUE FAIRE DANS LE CAS D'UNE ODEUR DE GAZ :
 - Ne pas tenter d'allumer un appareil.
 - Ne pas toucher à un commutateur électrique; ne pas utiliser le téléphone se trouvant sur les lieux.
 - Évacuer tous les gens de la pièce, de l'édifice ou du quartier.
 - Appeler immédiatement le fournisseur de gaz d'un téléphone voisin. Suivre ses instructions.
 - À défaut de joindre votre fournisseur de gaz, appeler les pompiers.
- L'installation et l'entretien doivent être effectués par un installateur qualifié, une agence de service ou le fournisseur de gaz.

AVERTISSEMENT : L'odorat ne permet pas toujours la détection d'une fuite de gaz.

Pour d'autres informations, contacter le fournisseur de gaz local.

En cas de détection d'une fuite de gaz, exécuter les instructions "Que faire dans le cas d'une odeur de gaz".

IMPORTANTES INSTRUCTIONS DE SÉCURITÉ

Avant de jeter ou de ranger votre vieille sècheuse, enlever la porte.

CONSERVEZ CES INSTRUCTIONS

CONSIGNES DE SÉCURITÉ IMPORTANTES

AVERTISSEMENT : Pour réduire le risque d'incendie, de choc électrique ou de blessure dans le cadre de l'utilisation du sèche-linge, suivre les consignes de base suivantes :

- Lire toutes les instructions avant d'utiliser le sèche-linge.
- Ce sèche-linge est conçu uniquement pour sécher des vêtements et des textiles qui ont été lavés à l'eau. Ne pas utiliser pour un autre usage.
- **AVERTISSEMENT** : Si l'on détecte une odeur de gaz, ne pas utiliser le sèche-linge ou tout autre appareil électrique à proximité. Prévenir tous les gens à proximité pour évacuer les lieux. Contacter immédiatement le propriétaire du sèche-linge.
- S'il est indispensable de placer dans le sèche-linge des tissus contenant de l'huile végétale ou de cuisson ou qui ont été contaminés par des produits de soin capillaire, ceux-ci doivent d'abord être lavés à l'eau chaude avec une dose supplémentaire de détergent ; cela réduira les risques sans les éliminer totalement.
- Pour réduire le risque d'incendie causé par du linge contaminés, la partie finale du cycle de sèche-linge ne produit pas de chaleur (période de refroidissement). Éviter d'arrêter un sèche-linge avant la fin du cycle de séchage à moins que tous les articles soient rapidement sortis et dispersés pour favoriser la dissipation de la chaleur.
- Ne pas sécher d'articles qui ont été nettoyés, lavés, trempés ou éclaboussés avec de l'essence, des solvants de nettoyage à sec ou d'autres produits inflammables ou explosifs puisqu'ils dégagent des vapeurs qui pourraient prendre feu ou exploser.
- Les articles souillés par des substances telles que l'acétone, l'alcool, l'essence, le kérosène, les détachants, la térébenthine, les cires et les décireurs doivent d'abord être lavés à l'eau chaude avec une dose supplémentaire de détergent avant de les sécher dans le sèche-linge.
- Ne pas sécher d'articles non lavés dans le sèche-linge.
- Ne pas utiliser ce sèche-linge si des produits chimiques industriels ont été utilisés lors du nettoyage. La présence possible de quantités résiduelles de produits agressifs ou décomposés dans la charge pourrait endommager le sèche-linge et produire des vapeurs dangereuses.
- Risque d'étouffement et de blessure par happement : Ne pas laisser les enfants jouer sur ou dans l'appareil. Les enfants à proximité de l'appareil pendant son fonctionnement doivent faire l'objet d'une étroite surveillance.
- Ce sèche-linge n'est pas prévu pour être utilisé par des personnes (y compris les enfants à partir de 8 ans) dont les capacités physiques, sensorielles ou mentales sont réduites, ou par des personnes manquant d'expérience ou de connaissances, sauf si elles peuvent bénéficier de surveillance ou ont reçu des instructions préalables concernant l'utilisation de l'appareil par une personne responsable de leur sécurité.
- Avant de mettre le sèche-linge hors service ou de le mettre au rebut, retirer la porte du compartiment du sèche-linge.
- En cas de panne, seules les pièces de rechange autorisées doivent être utilisées.
- Ne pas mettre la main dans le sèche-linge si le tambour est en mouvement.
- Ne pas ouvrir la porte lorsque le sèche-linge est en mouvement. Celui-ci s'arrêtera.
- Lorsque l'on charge ou recharge le sèche-linge, éviter de toucher les parties métalliques chaudes du tambour (risque de brûlure).
- Retirer tous les objets des poches tels que les briquets et allumettes.
- L'appareil doit être débranché de sa source de courant électrique durant les interventions de service et le remplacement des pièces.
- Si la rotation du tambour est bloquée en raison de textiles qui seraient coincés, débrancher le sèche-linge de l'alimentation électrique avant de retirer prudemment la cause du blocage.
- Si le sèche-linge ne chauffe pas, ou s'il semble défectueux ou endommagé, ne pas l'utiliser. Si un code d'erreur est affiché, ne pas utiliser le sèche-linge. Contacter le propriétaire.
- Ne pas installer ou stocker le sèche-linge dans un lieu où il serait exposé aux intempéries.
- Ne pas toucher les commandes.
- Nettoyer le filtre à peluches du sèche-linge avant ou après chaque charge.
- Ne pas utiliser ce sèche-linge sans filtre à peluches en place.
- Ne pas réparer ou remplacer une pièce quelconque de ce sèche-linge ni tenter d'intervenir sauf dans les cas spécifiquement indiqués dans ces instructions d'installation et à condition d'avoir compris les instructions et de posséder les compétences nécessaires pour mener à bien l'intervention.
- Les adoucissants ou produits similaires doivent être utilisés conformément aux instructions du fabricant de l'adoucissant.
- Les articles tels que le caoutchouc mousse (mousse de latex), les bonnets de douche, les textiles étanches, les articles doublés en caoutchouc et les vêtements ou coussins fourrés avec un rembourrage en caoutchouc mousse ne doivent pas être séchés dans le sèche-linge.
- La partie finale du cycle du sèche-linge ne produit pas de chaleur (cycle de refroidissement) pour s'assurer que les articles restent à une température qui ne les endommagera pas.
- **AVERTISSEMENT** : Ne jamais arrêter un sèche-linge avant la fin du cycle de séchage à moins que tous les articles soient rapidement sortis et dispersés pour que la chaleur se dissipe. (Cela évite le risque de combustion spontanée).
- En cas de coupure d'alimentation, enlever rapidement la charge et la disperser pour éviter le risque de combustion spontanée.
- Veiller à ce que la zone autour de l'ouverture d'évacuation et les alentours soient exempts d'accumulation de peluches, de poussières ou de saletés.
- Les ouvertures de ventilation de la pièce et du sèche-linge ne doivent pas être bloquées ni scellées.
- Ne pas utiliser de pièces de rechange qui n'ont pas été recommandées par le fabricant (ex. : Pièces fabriquées à la maison grâce à une imprimante 3D).
- Commande d'arrêt d'urgence : Après l'installation, l'accès à la prise secteur (sèche-linge à gaz) via un interrupteur bipolaire doit être possible à tout moment pour assurer une désactivation immédiate du sèche-linge en cas d'urgence.
- L'intérieur du sèche-linge et l'évacuation du sèche-linge doivent être nettoyés régulièrement par un technicien de service agréé par Whirlpool.

CONSERVER CES INSTRUCTIONS
-suite à la page suivante-

- Le nettoyage et l'entretien par l'utilisateur ne doivent pas être effectués par des enfants sans surveillance.
- **AVERTISSEMENT** : Cet appareil ne doit pas être alimenté par le biais d'un dispositif de commutation externe comme un minuteur, ou branché à un circuit qui est régulièrement mis sous tension et hors tension par un appareil.
- Le sèche-linge ne doit pas être installé derrière une porte verrouillable, une porte coulissante ou une porte avec une charnière sur le côté faisant face à celui du sèche-linge d'une manière qui gênerait l'ouverture complète de la porte du sèche-linge.
- L'appareil est conçu pour une utilisation dans des lieux publics mais cette utilisation n'est pas exclusive.
- Les enfants de moins de 3 ans doivent être tenus à l'écart, sauf s'ils sont surveillés en permanence.
- Cet appareil intègre une connexion à la terre à des fins fonctionnelles uniquement.
- Capacité de charge IEC - 10,5 kg.
- L'air vicié ne doit pas être évacué dans un conduit servant à l'évacuation des fumées d'appareils brûlant du gaz ou d'autres combustibles.
- Ne pas utiliser avec cet appareil un conduit de cheminée en maçonnerie sans revêtement.
- Si un code d'erreur s'affiche, contactez le propriétaire. Le propriétaire doit appeler le service technique.
- Ne pas utiliser, ni entreposer de matières inflammables dans ou à proximité de cet appareil.
- Ne placer aucun article sur ou contre cet appareil.
- L'air évacué ne doit pas être rejeté dans un conduit d'évacuation de fumées utilisé pour d'autres appareils.
- Voir la section « Exigences électriques » pour les instructions de mise à la terre.
- Une ventilation adéquate doit être fournie pour éviter dans la pièce le reflux de gaz provenant d'appareils brûlant des combustibles, y compris les feux ouverts.
- Les articles entrés en contact avec de l'huile peuvent s'enflammer spontanément, surtout lorsqu'ils sont exposés à des sources de chaleur comme celles produites dans un sèche-linge. Les objets se réchauffent, ce qui provoque une réaction d'oxydation dans l'huile. L'oxydation crée de la chaleur. Si la chaleur ne peut pas être évacuée, les objets peuvent chauffer au point de s'enflammer. L'empilement, l'empilage ou le stockage d'objets entrés en contact avec de l'huile peuvent empêcher l'évacuation de la chaleur et générer ainsi un risque d'incendie.
- Voir la section DIMENSIONS/ESPACES pour connaître les exigences d'espacement minimum pour l'installation.
- Ce sèche-linge est livré sans câble d'alimentation et fiche électrique. Il convient de fournir le moyen de débranchement du réseau avec une séparation entre les contacts dans chaque pôle assurant une coupure totale en présence de surtension de catégorie III. Le moyen de débranchement peut également être intégré au câblage fixe, conformément aux règles en la matière.
- La conception de ce sèche-linge a été agréée pour une utilisation à des altitudes allant jusqu'à 3 048 mètres au-dessus du niveau de la mer à la valeur nominale du B.T.U. indiquée sur le modèle/la plaque de série. Les réglages de l'entrée du brûleur ne sont pas nécessaires lorsque le sèche-linge est utilisé jusqu'à cette altitude. Pour une installation du produit au-dessus de 3 048 m, contactez votre société de service agréée locale Maytag ou une entreprise similaire.
- Cet appareil doit être installé sur un sol en béton ou en matière similaire adapté à son poids.

CONSERVER CES INSTRUCTIONS

INSTRUCTIONS D'ENTRETIEN

- Nettoyer le filtre à peluches avant et après chaque cycle.
- Enlever les peluches accumulées :
À l'intérieur de la caisse du sèche-linge :
Les peluches doivent être retirées tous les 2 ans ou plus souvent, selon l'utilisation du sèche-linge. Le nettoyage doit être effectué par un technicien agréé Whirlpool.
Ventilation d'évacuation :
Les peluches doivent être retirées tous les 2 ans ou plus souvent, selon l'utilisation du sèche-linge.
- Laisser l'espace à proximité du sèche-linge dégagé et sans matériaux combustibles, gaz ou d'autres vapeurs et liquides inflammables.
- Laisser l'espace à proximité du sèche-linge dégagé et sans élément qui pourrait obstruer le flux de combustion et l'air de ventilation.

Si votre sèche-linge ne fonctionne pas, vérifier les éléments suivants :

- L'alimentation électrique est bien branchée.
- Le disjoncteur n'est pas déclenché ou le fusible n'est pas fondu.
- La porte est bien fermée. Écouter de près pour savoir si le commutateur de porte s'active.
- Les commandes sont sur une position de fonctionnement ou « on ».
- Pour les sèche-linge à gaz, vérifier que les vannes de fermeture sont en position ouverte.

AVERTISSEMENT : Un branchement incorrect de la mise à la terre de l'appareil peut entraîner un risque d'électrocution. Il est de votre responsabilité de vérifier avec un électricien qualifié ou un représentant de service si vous n'êtes pas sûr que le sèche-linge soit correctement mis à la terre et qu'il soit conforme à toutes les réglementations et exigences locales. Ne pas modifier la prise fournie avec le sèche-linge : Si elle ne rentre pas bien dans la prise de courant de l'alimentation, faire installer une prise correcte par un électricien qualifié.

SI VOUS AVEZ BESOIN D'AIDE

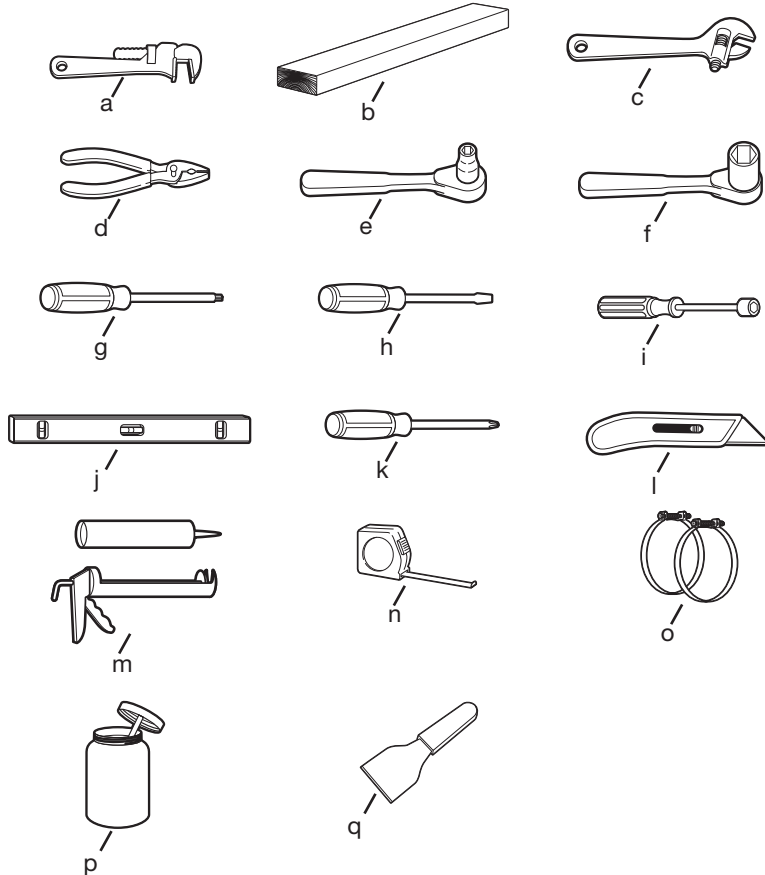
Si vous avez besoin d'aide, contacter le revendeur auprès duquel l'appareil a été acheté ou une entreprise de service désignée par Maytag. Il est important de connaître la date d'achat et le modèle précis ainsi que le numéro de série complet de votre appareil. Ces informations nous aideront à mieux répondre aux demandes.

POUR CONTACTER LE SERVICE APRÈS-VENTE :

S'adresser au distributeur Maytag Commercial Laundry agréé. Pour identifier le distributeur Maytag Commercial Laundry agréé le plus proche, consulter le site www.maytagcommerciallaundry.com.

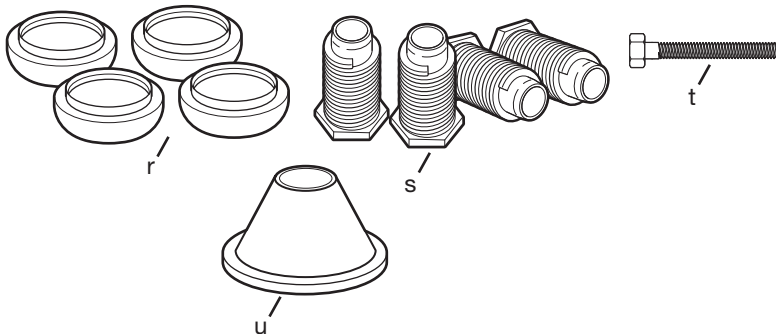
OUTILS ET PIÈCES

Outils et pièces nécessaires



- a. clé à tuyau de 8 po (200 mm) ou 10 po (250 mm)
- b. bloc de bois de 27 po (686 mm)
- c. clé réglable de 8 po (200 mm) ou 10 po (250 mm) s'ouvrant à 1 po (25 mm)
- d. Pince ouverte à 1 9/16 po (39 mm)
- e. clé à douille de 5/16 po (8 mm)
- f. Clé à douille à tête hexagonale de 1 po (25 mm)
- g. Tournevis cruciforme
- h. Tournevis à tête plate
- i. Tourne-écrou de 1/4 po (6 mm)
- j. Niveau
- k. Tournevis ou embout de sécurité TORX® T20†
- l. Couteau à lame rétractable
- m. Pistolet à mastic et mastic (pour l'installation de la conduite d'évacuation)
- n. Règle ou mètre
- o. Colliers de serrage
- p. Composé de filetage pour conduite de type gaz
- q. Couteau à mastic

PIÈCES FOURNIES (selon le modèle) :



- r. Patin (4)
- s. Pied de nivellement (4)
- t. Boulon de sécurité 5/16 po à tête hexagonale 18 x 2 1/2 po (modèles PD uniquement)
- u. Cône de sécurité (modèles PD uniquement)

REMARQUE : Le schéma du circuit pour ce sèche-linge se situe à l'intérieur du panneau avant inférieur, avec les informations techniques.

Caractéristiques électriques :

230 V, 60 Hz AC

4575 W

Masse totale : 68 kg maximum

†®TORX et T20 sont des marques déposées d'Acument Intellectual Properties, LLC.

SPÉCIFICATIONS

Ces appareils sont vendus dans diverses régions du monde ayant différents critères de capacité de mesure. Des exemples de formes de mesures valables indiquées sur ce produit sont présentées ci-dessous :

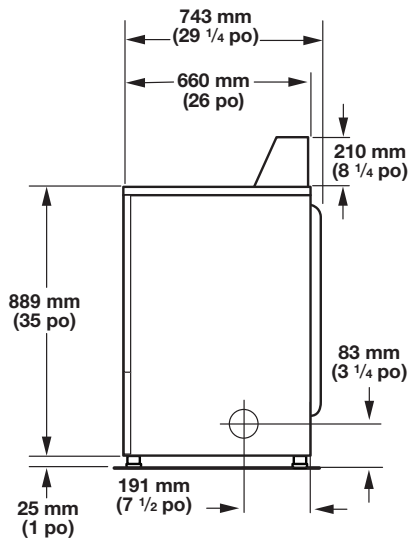
Capacité de linge sec : Mesure de poids qui reflète un seuil minimum pour la capacité de volume sec nécessaire à des fins de tarifs d'importation.

Capacité IEC : Mesure de capacité qui représente la capacité maximale de linge et de textile secs déclarée par le fabricant comme pouvant être traitée en un cycle spécifique.

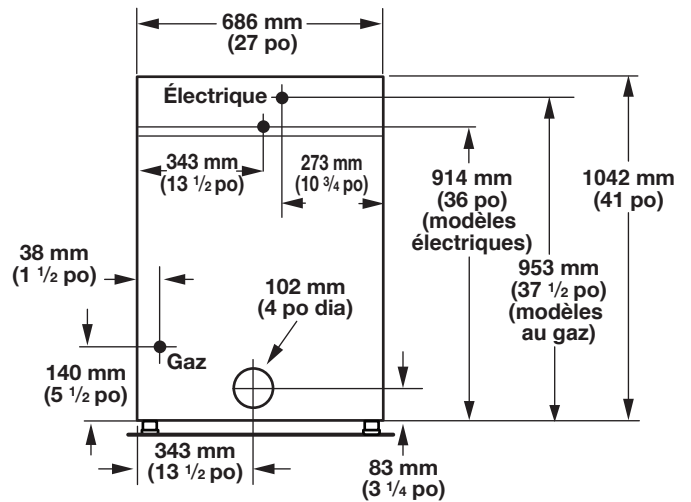
Capacité de linge sec
10,5 kg (23 lb)
Capacité IEC
10,5 kg (23 lb)
Niveau sonore
LpA : 58 dB(A) (kPa+/-10 dB(A))

Dimensions

Vue latérale

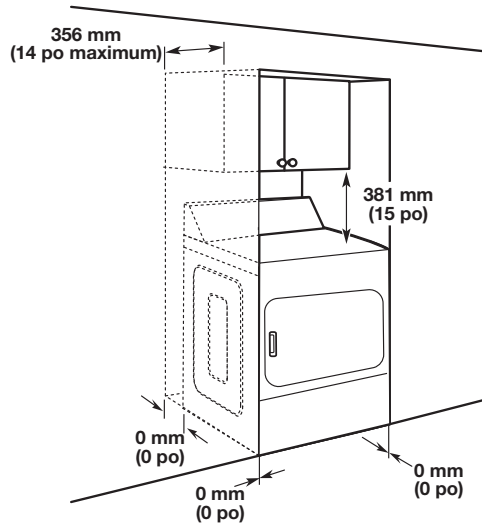


Vue arrière

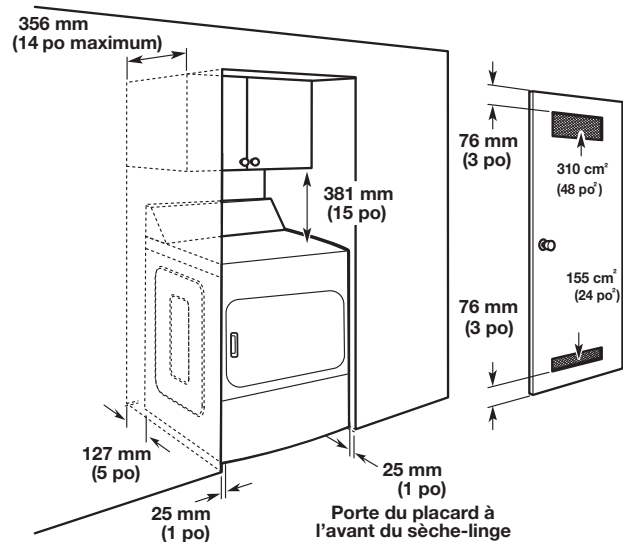


Espaces

Vue de face, ouverture encadrée



Vue latérale, encadré dans un placard



EXIGENCES RELATIVES À L'EMPLACEMENT

⚠ AVERTISSEMENT



Risque d'explosion

Garder les matières et les vapeurs inflammables, telle que l'essence, loin de la sècheuse.

Ne pas faire sécher un article qui a déjà été touché par un produit inflammable (même après un lavage).

Placer la sècheuse au moins 460 mm (18 po) au-dessus du plancher pour une installation dans un garage.

Le non-respect de ces instructions peut causer un décès, une explosion ou un incendie.

Votre sèche-linge peut être installé dans un sous-sol, une buanderie ou une zone encastrée.

Ce sèche-linge n'est pas prévu pour être installé dans un mobile home. Un kit d'adaptation est nécessaire pour une utilisation du sèche-linge dans une maison préfabriquée ou un mobile home.

Les exigences relatives à l'emplacement des appareils voisins doivent également être prises en compte.

IMPORTANT : Ne pas installer ou stocker le sèche-linge dans un lieu où il serait exposé aux intempéries. Une installation correcte est de la responsabilité du propriétaire.

Il faudra :

- Une prise électrique reliée à la terre située à moins de 1,8 m (6 pi) de l'emplacement de rattachement du cordon d'alimentation à l'arrière du sèche-linge. Voir la section « Exigences électriques ».
- Un sol nivelé avec un pente maximale de 25 mm (1 po) sous la totalité du sèche-linge. Il n'est pas recommandé d'installer le sèche-linge sur des surfaces de plancher moelleux comme des tapis ou surfaces comptant un revêtement de mousse.

Espaces d'installation pour sèche-linge

- L'emplacement doit être suffisamment grand pour permettre à la porte du sèche-linge de s'ouvrir complètement.
- Un espace supplémentaire est recommandé pour faciliter l'installation et l'entretien. La porte s'ouvre à plus de 180°.
- Des espaces supplémentaires peuvent être requis en cas de relief au mur, sur les portes ou au sol.
- Un espacement supplémentaire de 25 mm (1 po) de chaque côté du sèche-linge est recommandé pour réduire les transferts acoustiques.

Lors de l'installation du sèche-linge :

IMPORTANT : Respecter tous les codes et réglementations en vigueur.

- **Vérifier les exigences de code :** Certains codes limitent ou interdisent l'installation de sèche-linge dans les garages, les placards ou les chambres à coucher. Contacter un inspecteur de bâtiment local.
- **Sèche-linge à gaz uniquement :** S'assurer que les bords inférieurs de la caisse, ainsi que les côtés arrière et inférieurs du sèche-linge ne présentent pas d'obstruction afin de permettre un espace adéquat pour les ouvertures pour l'air de combustion. Voir la section « Consignes relatives à l'installation dans une zone encastrée et un placard » ci-dessous pour connaître les exigences minimales d'espacement.

Installation pour les encastresments et les placards

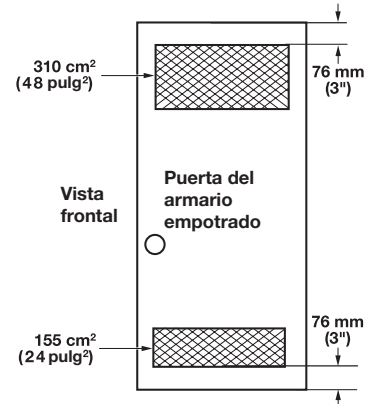
Ce sèche-linge peut être installé dans un encastrement ou un placard. Pour les installations dans des encastresments et des placards, les espaces minimaux sont indiqués sur l'étiquette d'avertissement à l'arrière du sèche-linge ou dans la section « Dimensions/espaces ».

L'espace d'installation est indiqué en millimètres et représente le minimum permis. Des espaces supplémentaires peuvent être envisagés pour faciliter l'installation, l'entretien et la conformité avec des législations et codes locaux.

En présence d'une porte de placard, une ouverture minimale d'air non obstruée en haut et en bas est requise. Les portes à persiennes avec des ouvertures d'air équivalentes sont admises.

L'évacuation du sèche-linge doit se faire à l'extérieur.

Aucun autre appareil brûlant des combustibles ne doit être installé dans la même armoire que le sèche-linge.



EXIGENCES ÉLECTRIQUES POUR SÈCHE-LINGE À GAZ

⚠ AVERTISSEMENT



Tension Électrique Dangereuse

IMPORTANT : Respecter tous les codes et réglementations en vigueur.

Ce sèche-linge est fourni sans cordon d'alimentation ni prise. Il doit être branché par un technicien de service agréé Whirlpool à une alimentation électrique à une seule phase à la tension indiquée sur la plaque signalétique, à l'aide d'une installation de câble conforme aux exigences locales et nationales de câblage.

- Un cordon circulaire à 3 fils d'une taille de conducteur minimale de 4,0 mm² à la section transversale doit être utilisé.
- L'appareil doit être alimenté par un circuit électrique de 230 V, 60 Hz, protégé par un fusible. On recommande d'utiliser un fusible ou un disjoncteur temporisé de 10 A-16 A, et un commutateur avec un marquage OFF clair comportant une séparation de contact des deux pôles qui offre une coupure totale dans des conditions de surtension de catégorie III doit être incorporé conformément aux réglementations de câblage locales. Le sèche-linge doit être placé de manière à ce que l'interrupteur d'arrêt soit clairement visible et facilement accessible à l'utilisateur. Cet interrupteur de déconnexion assure également la fonction de commande d'arrêt d'urgence pour l'utilisateur.
- Une bride de serrage de cordon est fournie sur le sèche-linge et elle doit être serrée à la fin du câblage. Les bornes d'alimentation électrique sont situées derrière le petit panneau d'accès (couvercle de bornier) et les branchements

doivent être effectués conformément aux marquages des bornes. Ne pas oublier de remplacer le panneau d'accès aux bornes (couvercle de bornier).

- Philippines : La prise doit être conforme à la norme nationale philippine PNS 1572:1997 Annexe A, 250 V, 10 A ou 15 A, 2 pôles, 3 fils, prise de terre.

REMARQUE : Conformément à la directive européenne EMC (2014/30/UE), l'impédance maximale du système d'alimentation électrique sur lequel le sèche-linge à gaz est relié doit être de $0,054 \Omega + j0,034 \Omega$.

REMARQUE : Normes de sécurité électriques : le fabricant a choisi la conformité avec les normes IEC/EN.60335 comme les plus appropriées pour ce produit.

⚠ AVERTISSEMENT



Risque de choc électrique

Cet appareil est un appareil à 3 fils qui doit être mis à la terre.

Serrer fermement toutes les connexions électriques.

Le non-respect de ces instructions peut entraîner la mort, un incendie ou un choc électrique.

Si les normes le permettent et qu'un fil de connexion supplémentaire est utilisé, il est recommandé qu'un électricien qualifié détermine que la mise à la terre est adéquate.

Méthode de mise à la terre recommandée :

Il est de votre responsabilité de contacter un installateur électrique qualifié pour assurer que l'installation électrique est adéquate et conforme à tous les codes et législations locales. Ne pas mettre à la terre à un tuyau de gaz.

EXIGENCES RELATIVES AU GAZ

Alimentation en gaz

⚠ AVERTISSEMENT



Risque d'explosion

Utiliser une canalisation neuve d'arrivée de gaz approuvée.

Installer un robinet d'arrêt.

Bien serrer chaque organe de connexion de la canalisation de gaz.

En cas de connexion au gaz LP, demander à une personne qualifiée de s'assurer que la pression de gaz ne dépasse pas 13 po (33 cm) dans la colonne d'eau.

Par personnel qualifié, on entend : personnel agréé de chauffage, personnel agréé d'une compagnie de gaz, et personnel d'entretien agréé.

Le non-respect de ces instructions peut causer un décès, un explosion ou un incendie.

Alimentation en gaz

Avant l'installation, vérifier que les conditions de distribution de gaz locales, la nature et la pression du gaz sont compatibles avec le réglage de l'appareil. Les informations concernant le brûleur se trouvent sur la plaque signalétique indiquant le modèle/numéro de série dans l'encastrement de porte du sèche-linge. Si ces informations ne concordent pas au type de gaz disponible, consulter votre revendeur.

Gaz naturel :

Ce sèche-linge est réglé en usine pour un usage avec du GAZ NATUREL (G20) et aucun réglage supplémentaire n'est requis lors de l'installation.

L.P. liquéfié :

Ce sèche-linge est également certifié pour une utilisation avec des gaz de pétrole liquéfié (propane ou butane) avec une conversion appropriée. Il est interdit d'essayer de convertir l'appareil à partir du gaz spécifié sur la plaque signalétique du modèle/numéro de série pour une utilisation avec un gaz différent sans consulter le fournisseur de gaz.

Exigences de conduit d'alimentation :

Fournir un conduit d'alimentation en gaz rigide jusqu'à l'emplacement du sèche-linge. Il doit avoir un diamètre interne d'au moins 12,5 mm (1/2 po). Si cela est compatible avec les normes locales et du fournisseur en gaz, un conduit d'alimentation en gaz rigide de diamètre interne de 10 mm (3/8 po) peut s'utiliser pour des longueurs inférieures à 6,1 m (20 pi). Des pièces de jonction de conduits résistants aux gaz de pétrole liquéfié doivent être utilisés.

Le branchement de gaz au sèche-linge lui-même doit être effectué au moyen d'un tuyau à gaz flexible adapté à l'appareil et à la catégorie de gaz conformément aux normes d'installation nationales. En cas de doute, contacter le fournisseur de gaz. Il doit avoir un diamètre interne d'au moins 10 mm (3/8 po).

Un dispositif de retenue doit être utilisé entre le sèche-linge et le mur pour éviter de forcer sur le conduit de gaz rigide lorsque le sèche-linge est déplacé. Une longueur de chaîne appropriée et un crochet au mur sont recommandés.

Le branchement d'arrivée de gaz du sèche-linge est un filetage NPT de 3/8 po. Un adaptateur est fourni pour la conversion au filetage de norme ISO.228-1 (3/8 po BSP).

Vérifier l'absence de fuite à l'aide d'une solution de détection de fuite non corrosive agréée. Des bulles indiqueront la présence d'une fuite. Réparer toute fuite. Un raccord de mesure de pression est fourni sur la vanne de gaz dans le sèche-linge, accessible après avoir retiré le panneau avant inférieur.

Le sèche-linge doit être débranché du système de tuyauterie d'alimentation en gaz pendant tous les tests de pression de ce système.

EXIGENCES RELATIVES À L'ÉVACUATION DU SÈCHE-LINGE

⚠ AVERTISSEMENT

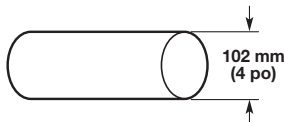


Risque d'incendie

- Utiliser un conduit d'évacuation en métal lourd.
- Ne pas utiliser un conduit d'évacuation en plastique.
- Ne pas utiliser un conduit d'évacuation en feuille de métal.
- Le non-respect de ces instructions peut causer un décès ou un incendie.

AVERTISSEMENT : Afin de réduire les risques d'incendie, ce sèche-linge DOIT ÉVACUER L'AIR VERS L'EXTÉRIEUR.

Le conduit d'évacuation du sèche-linge ne doit pas être raccordé à une évacuation de gaz, une cheminée, un mur, un plafond, un grenier, un faux plafond ou un espace fermé d'un bâtiment. L'évacuation doit uniquement s'effectuer au moyen d'un conduit en métal rigide ou flexible.



Conduite d'évacuation en métal lourd de 102 mm (4 po)

- Utiliser obligatoirement un conduit d'évacuation en métal lourd de 102 mm (4 po) et des brides de serrage.
- Ne pas utiliser de conduit en plastique ou en feuilles d'aluminium.

Conduit en métal rigide :

- Recommandé pour de meilleures performances de séchage et pour éviter les écrasements et les noeuds.

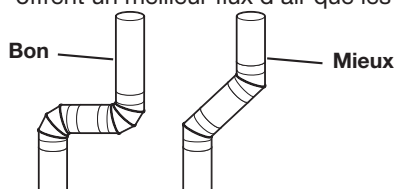
Conduit en métal flexible : (acceptable uniquement s'il est accessible pour effectuer le nettoyage)

- Il doit être totalement étendu et compatible avec l'emplacement final du sèche-linge.
- Retirer tout excès pour éviter les déformations et les noeuds qui pourraient entraîner une réduction du flux d'air et une baisse des performances.
- Ne pas installer dans des murs, plafonds ou planchers fermés.
- La longueur totale ne pas dépasser 2,4 m (7 ¾ pi).

REMARQUE : Si on utilise un système d'évacuation, nettoyer les peluches sur toute la longueur du système et s'assurer que le clapet d'évacuation n'est pas bouché par des peluches. Remplacer les conduits en plastique ou en feuilles d'aluminium par des conduits en métal flexible ou rigide. Consulter le « tableau de système de ventilation » et, si nécessaire, modifier le système de ventilation existant pour obtenir les meilleures performances de séchage.

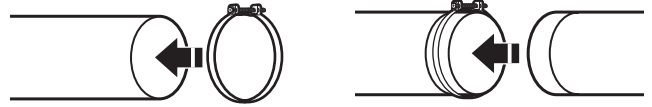
Coudes :

- les coudes à 45° offrent un meilleur flux d'air que les coudes à 90°.



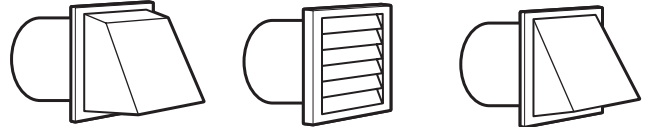
Brides :

- Utiliser des brides pour sceller tous les joints.
- Le conduit d'évacuation ne doit pas être branché ou sécurisé avec des vis ou d'autres dispositifs de serrage qui s'étendent à l'intérieur du conduit et qui retiennent les peluches. Ne pas utiliser de ruban adhésif.



Clapet d'évacuation

Clapet d'évacuation de 102 mm (4 po) de diamètre

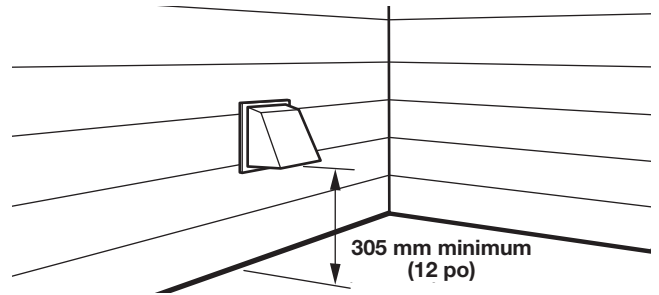


Clapet type boîtier

Clapet à persiennes

Clapet incliné

Le clapet d'évacuation doit se trouver à au moins 305 mm (12 po) du sol ou de tout objet qui pourrait se trouver sur la voie d'évacuation (comme des fleurs, des pierres, des buissons ou la neige).



Longueur du système d'évacuation

Longueur maximale du conduit/branchement du conduit

La longueur maximale du système d'évacuation dépend du type de conduit utilisé, du nombre de coudes et du type de clapet d'évacuation.

Tableau de système d'évacuation (conduit en métal rigide)

N° de coudes à 90°	Clapet type boîtier et à persiennes	Clapet incliné
0	39,6 m (130 pi)	39,3 m (129 pi)
1	38,1 m (125 pi)	36,3 m (119 pi)
2	35,1 m (115 pi)	33,2 m (109 pi)
3	32,3 m (106 pi)	30,5 m (100 pi)
4	29,9 m (98 pi)	28,0 m (92 pi)

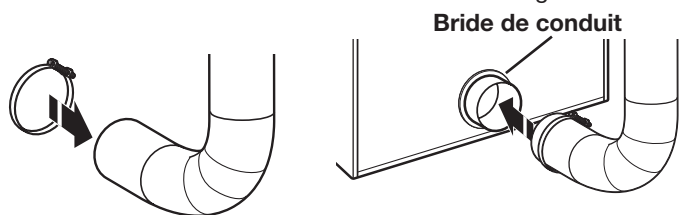
Pour les systèmes d'évacuation non couverts par le tableau de spécification, consulter votre distributeur de pièces détachées.

Il faut prévoir assez d'espace pour la combustion et la ventilation. (Consulter tous les codes et réglementations en vigueur.) Voir les « Consignes relatives à l'installation dans une zone encastrée et un placard » à la section « Exigences relatives à l'emplacement ».

Un clapet de sortie de 102 mm (4 po) est préférable. Toutefois un clapet de sortie de 64 mm (2 ½ po) peut être utilisé. Une sortie de 64 mm (2 ½ po) crée une contre-pression plus importante que d'autres types de clapet. Pour une installation permanente, un système d'évacuation fixe est nécessaire.

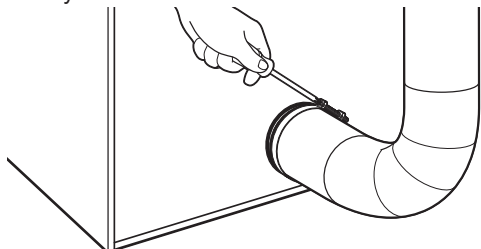
Connexion du conduit

1. Dans le cas d'un branchement à un conduit existant, s'assurer que le conduit est propre.
2. Si l'on utilise une bride de 102 mm (4 po), brancher le conduit sur la sortie d'évacuation du sèche-linge.

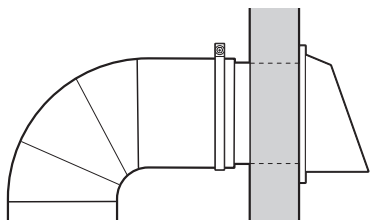


REMARQUE : Ne pas retirer la bride de serrage.

3. Serrer le tuyau avec un tournevis cruciforme.



4. S'assurer que le conduit est sécurisé sur le clapet d'évacuation avec une bride de 102 mm (4).

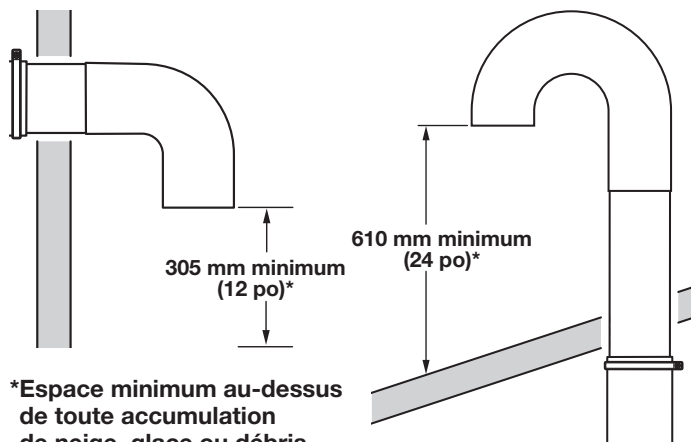


5. Mettre le sèche-linge dans sa position définitive. Ne pas écraser ou faire de nœuds sur le conduit. S'assurer que le sèche-linge est d'aplomb.

REMARQUE : Un manomètre doit être utilisé pour vérifier que l'évacuation est correcte. Minimum : 0,2 mm (0,01 po). Maximum : 16 mm (0,6 po).

Si un clapet d'évacuation ne peut pas être utilisé

L'extrémité extérieure du conduit principal doit comporter un coude courbe directement vers le bas.



*Espace minimum au-dessus de toute accumulation de neige, de glace ou de débris comme des feuilles

Si le conduit principal traverse directement le plafond, plutôt qu'un mur, installer un coude courbe de 180° à l'extrémité du conduit à au moins 610 mm (2 pi) au-dessus de la surface du toit.

L'ouverture dans le mur ou le toit doit avoir un diamètre de 13 mm (1/2 po) supérieur au diamètre du conduit. Le conduit doit être centré dans l'ouverture.

Ne pas installer de filtre sur l'extrémité du conduit pour de meilleures performances.

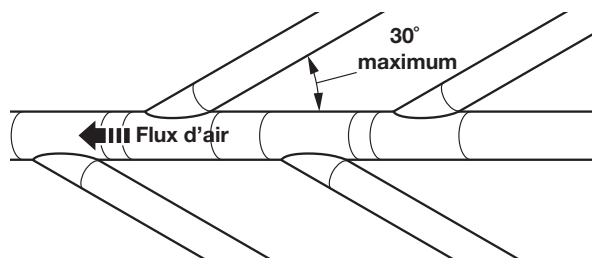
Évacuation de plusieurs sèche-linge

On peut utiliser un conduit principal pour l'évacuation d'un groupe de sèche-linge. La conduite principale doit être capable d'évacuer 5663 L/min (200 CFM) d'air par sèche-linge. Les filtres à peluche à grande capacité de design approprié peuvent être utilisés pour le conduit principal s'ils sont fréquemment contrôlés et nettoyés. La pièce où se trouvent les sèche-linge doit avoir un système d'air de compensation égal ou supérieur au CFM de tous les sèche-linge dans la pièce.

Les clapet anti-refoulement sont disponibles auprès de votre distributeur et doivent être installés dans le conduit de chaque sèche-linge afin d'éviter que l'air évacué ne retourne dans les sèche-linge et de conserver l'évacuation en équilibre avec le conduit principal. Des ouvertures non obstruées pour le retour d'air sont nécessaires.

Bien que chaque sèche-linge à une seule charge doive avoir une ouverture d'air libre de 155 cm² (24 po²) (sur la base de 6,5 cm² [1 po²] par 252 kcal [1 000 B.T.U.]), les ouvertures d'air de compensation communes sont également acceptables. Configurer les ouvertures communes de telle manière que l'air de compensation soit distribué équitablement entre tous les sèche-linge. Nous vous rappelons que la zone de couverture doit être augmentée de 33 % pour prendre en compte l'utilisation de registres ou de persiennes au-dessus des ouvertures. D'autre part, les ouvertures d'air de compensation ne doivent pas être installées à proximité de la sortie du conduit d'évacuation à l'extérieur du bâtiment.

Chaque conduit doit entrer dans le conduit principal à un angle pointant dans la direction du flux d'air. Les conduits entrant depuis le côté opposé doivent être décalés pour éviter que l'air évacué n'interfère avec d'autres conduits.



L'angle maximal de chaque conduit entrant dans le conduit principal ne pas être supérieur à 30°.

Les ouvertures d'air ne doivent pas compter de vapeurs de solvants de nettoyage à sec. Les vapeurs créent des acides qui, lorsqu'ils sont attirés dans les unités de chauffage des sèche-linge, peuvent endommager ceux-ci et les articles qui sont séchés.

Un couvercle de nettoyage doit être situé sur le conduit principal pour un nettoyage régulier du système d'évacuation.

REMARQUE : Pour en savoir plus sur l'évacuation du sèche-linge, consulter le document Whirlpool W10100920.

INSTALLATION DES PIEDS DE NIVELLEMENT ET DE L'APPAREIL À MONNAIE

La console contient le tableau de commande électronique. Le tableau est réglé en usine pour un temps de séchage de 30 minutes. Consulter la fiche technique à l'intérieur du panneau de pied du sèche-linge pour réinitialiser le temps de séchage et pour d'autres options.

Le mécanisme de lecture de carte n'est pas compris, mais il est disponible auprès des fournisseurs habituels.

AVERTISSEMENT

Risque du poids excessif

Utiliser deux ou plus de personnes pour déplacer et installer le sèche-linge.

Le non-respect de cette instruction peut causer une blessure au dos ou d'autre blessure.

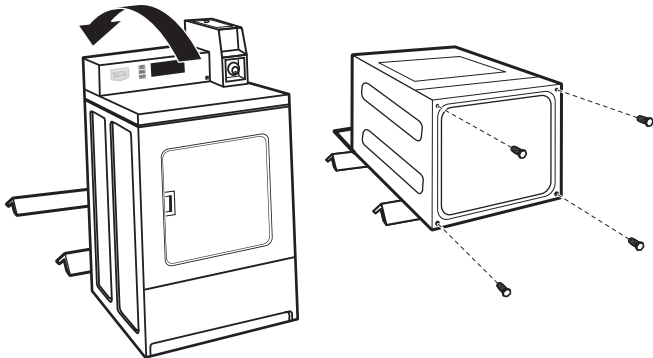
1. Préparer le sèche-linge pour le nivellement des pieds

REMARQUE : Faire glisser le sèche-linge sur un carton ou un panneau dur avant de le déplacer afin d'éviter d'endommager le revêtement du sol.

Deux personnes au moins sont nécessaire pour déplacer le sèche-linge à l'emplacement d'installation souhaité.

Retirer le ruban plastique des coins du sèche-linge. Ouvrir le sèche-linge et retirer les emballages de pièces et la documentation. Essuyer l'intérieur du tambour avec un chiffon humide pour retirer toute la poussière.

Prendre deux coins de carton de l'emballage du sèche-linge et les placer sur le sol à l'arrière du sèche-linge. Tenir fermement le corps du sèche-linge et le faire glisser doucement vers l'arrière sur les coins de carton. Débrancher l'alimentation avant d'effectuer des branchements électriques.



(l'apparence des appareils peut varier)

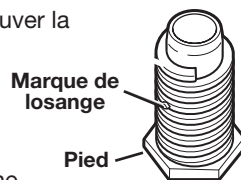
2. Visser les pieds de nivellement

Examiner les pieds de nivellement et trouver la marque de losange. Visser à la main les pieds dans les trous de pied.

Utiliser une clé à molette ou une clé à douille à tête hexagonale de 25 mm (1 po) pour terminer de faire tourner les pieds jusqu'à ce la marque de losange ne soit plus visible. Ensuite fixer un patin sur chacun des pieds.

Pour protéger le sol, utiliser un grand morceau de carton de l'emballage du sèche-linge. Mettre le sèche-linge sur le carton. Faire glisser le sèche-linge jusqu'à ce qu'il soit à proximité de son emplacement final. Laisser suffisamment d'espace pour les branchements électriques et pour brancher l'évacuation d'air.

Un pied de nivellement plus long est disponible en cas de besoin sur les sols extrêmement en pente, numéro de pièce 279810.

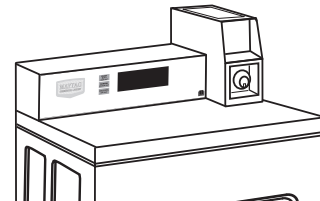


Le boîtier du compteur contient la minuterie d'accumulation installée à l'usine, ainsi que le bras de commande ou le commutateur pour intervention.

Le verrou et la clé de la porte de service ainsi que le verrou et la clé de la boîte à monnaie peuvent ne pas être inclus mais ils sont disponibles auprès des fournisseurs industriels classiques

1. Installer la boîte à monnaie

Retirer la porte de service du boîtier du compteur en le levant par l'arrière. Installer le dispositif de paiement. (Pour garantir une installation correcte, consulter les instructions du fabricant.)



Replacer la porte de service du boîtier du compteur. Mettre la chambre à pièce avec son verrou et sa clé dans l'ouverture du boîtier du compteur.

Enlever le carton ou le panneau si tué sous le sèche-linge. Régler les pieds du sèche-linge vers le haut ou le bas jusqu'à ce que le sèche-linge soit d'aplomb.

2. Installer un dispositif de sécurité supplémentaire

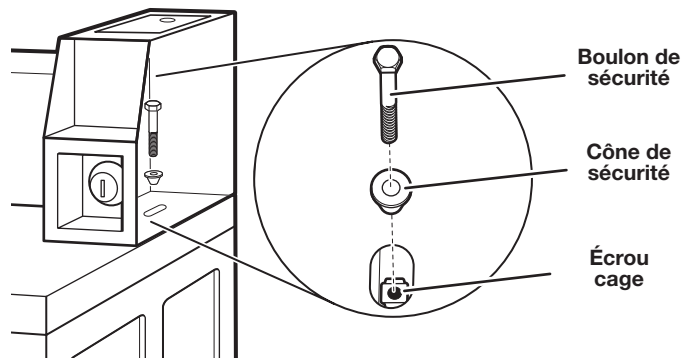
Vérifier que l'alimentation du sèche-linge est coupée.

Ouvrir et retirer la porte de service.

Placer le cône de sécurité en orientant la petite partie vers le bas, par dessus le trou de forme allongée dans la partie inférieure arrière du boîtier du compteur.

Introduire le boulon de sécurité dans ce cône et l'enfiler manuellement dans l'écrou cage, sous l'ouverture de forme allongée.

Serrer le boulon de sécurité à la main en faisant quelques tours puis utiliser une clé pour serrer fermement.



REMARQUE : l'installation du boulon de sécurité offre une sécurité supplémentaire mais demandera plus de temps pour le service lorsqu'il faudra retirer le dessus pour réparer le sèche-linge.

NIVELLEMENT

Le nivellement correct du sèche-linge réduit les vibrations et les bruits excessifs.

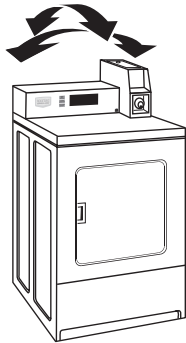
AVERTISSEMENT

Risque du poids excessif

Utiliser deux ou plus de personnes pour déplacer et installer le sèche-linge.

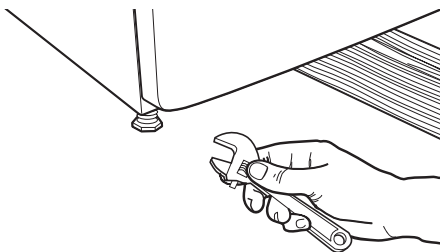
Le non-respect de cette instruction peut causer une blessure au dos ou d'autre blessure.

1. Retirer le carton sous le sèche-linge. Placer un niveau sur le haut du sèche-linge, vérifier chaque côté et l'avant. S'il n'est pas à niveau, incliner le sèche-linge et régler les pieds vers le haut ou le bas comme à l'étape 3, en recommençant si nécessaire.
2. Saisir le sèche-linge par le haut et le balancer vers l'avant et l'arrière pour s'assurer que les quatre pieds sont fermement posés au sol. Recommencer en balançant le sèche-linge d'un côté et de l'autre. Si le sèche-linge se balance, passer à l'étape 3 et régler les pieds de nivellement.



3. Si le sèche-linge n'est pas à niveau, utiliser une clé à molette ou une clé plate de 25 mm ou 1 po pour faire tourner le pied de nivellement dans le sens anti-horaire pour baisser le sèche-linge et dans le sens horaire pour relever le sèche-linge. Vérifier de nouveau la mise à niveau et que les quatre pieds sont fermement en contact avec le sol. Recommencer si nécessaire.

CONSEIL UTILE : Il peut être utile de lever l'avant du sèche-linge de 102 mm (environ 4 pouces) avec un morceau de bois ou un objet similaire qui supporte le poids du sèche-linge.



BRANCHEMENT DE L'ALIMENTATION EN GAZ (selon les modèles)

Effectuer le branchement de gaz

AVERTISSEMENT



Risque d'explosion

Utiliser une canalisation neuve d'arrivée de gaz approuvée.

Installer un robinet d'arrêt.

Bien serrer chaque organe de connexion de la canalisation de gaz.

En cas de connexion au gaz LP, demander à une personne qualifiée de s'assurer que la pression de gaz ne dépasse pas 13 po (33 cm) dans la colonne d'eau.

Par personnel qualifié, on entend : personnel agréé de chauffage, personnel agréé d'une compagnie de gaz, et personnel d'entretien agréé.

Le non-respect de ces instructions peut causer un décès, un explosion ou un incendie.

1. Retirer le capuchon rouge du conduit d'alimentation en gaz du sèche-linge.
2. Brancher l'alimentation en gaz sur le sèche-linge. Si le tuyau de gaz flexible a un filetage BSP de 10 mm (3/8 po), utiliser l'adaptateur de conversion de filetage fourni. Utiliser des pièces de jonction de conduits résistants aux gaz de pétrole liquéfié pour les branchements de gaz.
En cas de besoin pour le service, ouvrir le panneau de pied. Utiliser un couteau à mastic pour appuyer sur les 2 verrous du panneau de pied situé en haut du panneau de pied. Tirer le panneau de pied vers le bas pour l'ouvrir. Le panneau de pied compte une charnière en bas.
3. Ouvrir la vanne de fermeture du conduit d'alimentation en gaz et s'assurer que l'alimentation en gaz du sèche-linge est bien ouverte.
4. Tester tous les branchements à l'aide d'une solution de détection de fuite non corrosive. Des bulles indiqueront la présence d'une fuite. Réparer toute fuite.

CARACTÉRISTIQUES TECHNIQUES - SÈCHE-LINGE À GAZ

230 V à 60 Hz 1 ph 10 A maximum IPX4 – Capacité de charge de vêtements : 10,5 kg maximum Niveau de pression acoustique LpA : 58 dB(A) (incertitude, kPa : +/-10 dB(A)) Poids total : 74 kg maximum.

Réglage en usine pour GAZ NATUREL : Taille du dispositif d'injection : 2,2 mm Apport en chaleur brute : 5,9 kW	
Pression d'alimentation (G20) :	20 mbar
Réglage de pression en usine :	7,4 mbar
Ensemble de conversion pour alimentation au propane : Taille du dispositif d'injection : 1,25 mm Apport en chaleur brute : 6,4 kW	
Pression d'alimentation au butane (G30) :	28 à 30 mbar
GPL Pression d'alimentation (G31) :	37 mbar

REMARQUE : Ensemble de conversion : Du gaz naturel au gaz de pétrole liquéfié – Europe : Numéro de pièce Whirlpool W10233219.

Fabricant : Whirlpool Corporation, Benton Harbor, Michigan 49022, U.S.A.

Site de fabrication : Whirlpool Corporation, 1300 Marion-Agosta Rd., Marion, OH, 43302, U.S.A.

Représentants de l'UE : Whirlpool EMEA S.p.A., Via Carlo Pisacane, 1, 20016 Pero (MI), Italy

TERMINER L'INSTALLATION

- Vérifier les exigences électriques. S'assurer que l'on dispose de l'alimentation électrique correcte et de la méthode de mise à la terre recommandée. Voir la section « Exigences électriques ».
- Vérifier que toutes les pièces sont installées. S'il y a une pièce supplémentaire, revenir en arrière.
- Vérifier que l'on a tous ses outils.
- Éliminer/recycler tous les matériaux d'emballage.

⚠ AVERTISSEMENT



Risque de choc électrique

Brancher sur une prise à 3 alvéoles reliée à la terre ou 4 alvéoles reliée à la terre.

Ne pas enlever la broche de liaison à la terre.

Ne pas utiliser un adaptateur.

Ne pas utiliser un câble de rallonge.

Le non-respect de ces instructions peut causer un décès, un incendie ou un choc électrique.

- Brancher sur une prise mise à la terre ou connecter à l'alimentation.
- Vérifier le fonctionnement du sèche-linge. Fermer la porte du sèche-linge. Définir le cycle. Le temps de fonctionnement accumulera selon le nombre de pièces.
Lancer un cycle de chauffage complet (pas le cycle d'air sans chauffage), laisser le sèche-linge fonctionner au moins cinq minutes. Le sèche-linge s'arrêtera lorsque le temps est écoulé. S'assurer que le sèche-linge s'arrête.

REMARQUE : La porte du sèche-linge doit être fermée pour que le sèche-linge fonctionne. Lorsque la porte est ouverte, le sèche-linge s'arrête mais le minuteur continue à tourner.

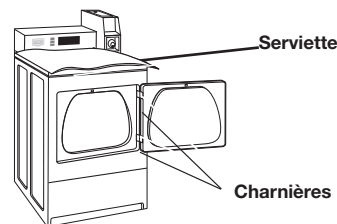
- Modèles à gaz uniquement** : Ouvrir la porte du sèche-linge. Vérifier que l'intérieur du sèche-linge est tiède. Si le brûleur ne démarre pas et que l'on ne sent aucune chaleur dans le sèche-linge, éteindre le sèche-linge pendant 5 minutes. Vérifier que toutes les commandes de vannes d'alimentation sont en position « ON » et que le cordon d'alimentation électrique est branché. Recommencer le test de cinq minutes.
- Si le temps de séchage est trop long, s'assurer que le filtre à peluche est propre et qu'il n'y a aucune obstruction du flux d'air dans le système de ventilation du sèche-linge.
- Redémarrer le sèche-linge et le laisser effectuer un cycle de chauffage complet (pas un cycle d'air sans chauffage) pour s'assurer qu'il fonctionne correctement.

Il est possible de changer le sens de l'ouverture de la porte du sèche-linge d'une ouverture vers la droite à une ouverture vers la gauche.

INVERSION DE L'OUVERTURE DE LA PORTE DU SÈCHE-LINGE (FACULTATIF)

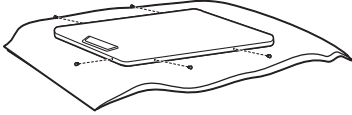
Enlever l'ensemble de porte

- Placer une serviette ou un chiffon doux sur le dessus du sèche-linge ou de l'espace de travail pour éviter de rayer la surface.
- Ouvrir la porte du sèche-linge. Retirer les vis inférieures des charnières du côté de la caisse. Desserrer (sans les retirer) les vis supérieures des charnières du côté de la caisse.

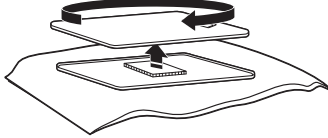


- Lever la porte jusqu'à ce que les vis supérieures dans la caisse soient dans la partie plus grande de la fente des charnières. Tirer vers l'avant pour dégager la porte des vis. Mettre la porte (côté poignée vers le haut) sur le haut du sèche-linge. Retirer les vis supérieures de la caisse.
- Retirer les vis fixant les charnières à la porte.

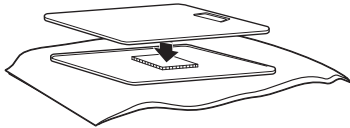
5. Retirer les vis en haut, en bas et sur le côté de la porte (5 vis).



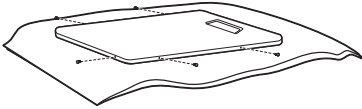
6. En tenant la porte sur la serviette sur le sèche-linge, saisir les côtés de la porte extérieure et soulever doucement pour la séparer de la porte intérieure. Ne pas utiliser de couteau à mastic pour les séparer. Ne pas tirer sur le joint de la porte ou sur la gâche en plastique de la porte.



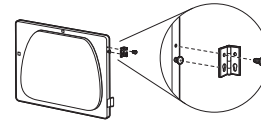
7. S'assurer de maintenir la cale d'espacement en carton centré entre les portes. Refixer le panneau de porte extérieur sur le panneau de porte intérieur de manière à ce que la poignée soit sur le côté où les charnières ont été enlevées.



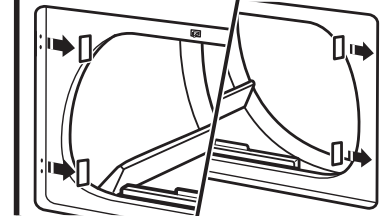
8. Refixer les vis en haut, en bas et sur le côté de la porte (5 vis).



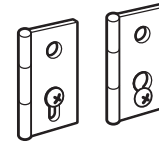
9. Fixer les charnières de porte sur la porte du sèche-linge de manière à ce que le trou le plus grand soit en bas de la charnière et que la tige de la charnière soit vers l'avant de la porte.



10. Retirer les deux étiquettes du côté gauche et passer au côté droit. Si les étiquettes sont endommagées, commander le no de référence W11481394.



11. Insérer les vis dans les trous inférieurs du côté gauche de la caisse. Serrer les vis à moitié. Placer la porte de manière à ce que l'extrémité plus grande de la fente de charnière soit sur les vis. Faire glisser la porte vers le haut pour que les vis soient en bas des fentes. Serrer les vis. Insérer et serrer les vis supérieures dans les fentes.



12. Fermer la porte et vérifier que gâche de la porte est aligné avec le loquet de la porte. Si besoin, faire glisser la gâche de la porte vers la gauche ou la droite dans la fente pour régler l'alignement.

MISE AU REBUT DU SÈCHE-LINGE



Le marquage de l'appareil est conforme à la directive européenne 2002/ 96/ EC sur les équipements électroniques et électriques, pour gestion des déchets.

En veillant à l'élimination correcte de ce produit, vous éviterez d'éventuelles conséquences néfastes pour l'environnement et la santé humaine qui peuvent être associées au traitement inapproprié de ce produit lorsqu'il a été mis au rebut.

Le symbole figurant sur le produit ou dans les documents qui accompagnent le produit indique que cet appareil ne doit pas être traité comme déchet ménager; on doit plutôt le remettre à un centre de collecte spécialisé pour le recyclage des équipements électriques et électroniques.

L'élimination de ce produit après mise au rebut doit être effectuée conformément aux prescriptions de la réglementation locale de protection de l'environnement.

Pour l'information détaillée concernant le traitement, le recyclage et la récupération de ce produit, contacter la municipalité locale, le service d'élimination des déchets ménagers, ou le commerçant qui a vendu le produit.

NOMENCLATURE DU MODÈLE :

MDG – Maytag à gaz

T – Révision série

20 – Numéro de type de modèle

K – 230 V 60 Hz

MN – Minuteur sans paiement

W – Blanc

IMPORTANTES INSTRUCTIONS DE SÉCURITÉ

Avant de jeter ou de ranger votre vieille sècheuse, enlever la porte.

CONSERVEZ CES INSTRUCTIONS

SEGURIDAD DE LA SECADORA

Su seguridad y la seguridad de los demás es muy importante.

Hemos incluido muchos mensajes importantes de seguridad en este manual y en su electrodoméstico. Lea y obedezca siempre todos los mensajes de seguridad.



Este es el símbolo de alerta de seguridad.

Este símbolo le llama la atención sobre peligros potenciales que pueden ocasionar la muerte o una lesión a usted y a los demás.

Todos los mensajes de seguridad irán a continuación del símbolo de advertencia de seguridad y de la palabra "PELIGRO" o "ADVERTENCIA". Estas palabras significan:

 **PELIGRO**

Si no sigue las instrucciones de inmediato, usted puede morir o sufrir una lesión grave.

 **ADVERTENCIA**

Si no sigue las instrucciones, usted puede morir o sufrir una lesión grave.

Todos los mensajes de seguridad le dirán el peligro potencial, le dirán cómo reducir las posibilidades de sufrir una lesión y lo que puede suceder si no se siguen las instrucciones.



PRECAUCIÓN — RIESGO DE INCENDIO/ DE MATERIALES INFLAMABLES

Éste es un símbolo adicional de la alarma de la seguridad que las alarmas usted al riesgo de incendio. Es necesario tener cuidado para evitar provocar un incendio al encender material inflamable.



ADVERTENCIA - "Riesgo de Incendio"

- La instalación de la secadora de ropa debe ser realizada por un técnico calificado.
- Instalar la secadora de ropa de acuerdo con las instrucciones del fabricante.
- No instalar la secadora de ropa con materiales de ventilación de plástico. Si se instala ducto flexible metálico (tipo aluminio), éste debe ser de un tipo específico que sea avalado por el fabricante como apto para el uso con secadora de ropa. Los materiales de ventilación flexibles son bien conocidos por colapsarse, se aplastan fácilmente y retienen pelusa. Estas condiciones bloquearán el flujo de aire de la secadora e incrementarán el riesgo de incendio.
- Para reducir el riesgo de lesiones graves o muerte, siga todas las instrucciones de instalación.
- Guarde estas instrucciones.

- Se recomienda que el propietario coloque en un lugar a la vista las instrucciones para el uso del cliente en caso de que este perciba olor a gas. Esta información deberá obtenerse de su proveedor de gas.
- Coloque a la vista la siguiente advertencia.

PARA SU SEGURIDAD

1. NO USE NI GUARDE GAS U OTROS MATERIALES INFLAMABLES EN ESTE APARATO O CERCA DEL MISMO.
2. NO PULVERICE AEROSOLES EN LAS PROXIMIDADES DE ESTE APARATO MIENTRAS ESTÉ EN FUNCIONAMIENTO.
3. NO MODIFIQUE EL APARATO.
4. NO COLOQUE ARTÍCULOS SOBRE O CONTRA ESTE APARATO.
5. NO UTILICE NI ALMACENE MATERIALES INFLAMABLES DENTRO O CERCA DE ESTE APARATO.



ADVERTENCIA:

PELIGRO DE INCENDIO O EXPLOSIÓN

Si no se siguen las advertencias de seguridad con exactitud, se podrían producir lesiones graves, muertes o daños a la propiedad.

- No almacene o use gasolina u otros líquidos y vapores inflamables cerca de éste u otro aparato electrodoméstico.
- **PASOS QUE USTED DEBE SEGUIR SI HUELE A GAS:**
 - No trate de encender ningún aparato electrodoméstico.
 - No toque ningún interruptor eléctrico; no use ningún teléfono en su edificio.
 - Desaloje a todos los ocupantes del cuarto, edificio o área.
 - Llame inmediatamente a su proveedor de gas desde el teléfono de un vecino. Siga las instrucciones de su proveedor de gas.
 - Si usted no puede comunicarse con su proveedor de gas, llame al departamento de bomberos.
- La instalación y el servicio deben ser efectuados por un instalador calificado, una agencia de servicio o por el proveedor de gas.

ADVERTENCIA: Las pérdidas de gas no siempre se pueden detectar por el olfato.

Para obtener más información, póngase en contacto con su proveedor de gas.

Si se detecta una fuga de gas, siga las instrucciones de "Pasos que usted debe seguir si huele a gas".


INSTRUCCIONES IMPORTANTES DE SEGURIDAD

Antes de guardar o descartar su vieja secadora, quítele la puerta.

GUARDE ESTAS INSTRUCCIONES

INSTRUCCIONES IMPORTANTES DE SEGURIDAD

ADVERTENCIA: Para reducir el riesgo de incendio, descarga eléctrica o daños personales al utilizar esta secadora, tome las precauciones básicas siguientes:

- Lea todas las instrucciones antes de utilizar la secadora. 
- Esta secadora se ha diseñado solamente para secar ropa y materiales textiles que hayan sido lavados en agua. No la use para ningún otro fin.
- **ADVERTENCIA:** Si percibe olor a gas, no use la secadora ni ningún equipo eléctrico que esté cerca. Advierta a otras personas que deben despejar la zona. Póngase en contacto inmediatamente con el propietario de la secadora.
- Si es inevitable colocar en la secadora tejidos que contengan aceite vegetal o de cocina, o que hayan sido contaminados por productos para el cuidado del cabello, deberán lavarse primero en agua caliente con detergente adicional, lo cual reducirá, pero no eliminará el peligro.
- Para reducir el riesgo de incendio debido a cargas contaminadas, la parte final de un ciclo de secadora se produce sin calor (periodo de enfriamiento). No detenga la secadora antes de finalizar el ciclo de secado a no ser que saque y extienda todos los artículos rápidamente para disipar el calor.
- No seque artículos que se hayan limpiado, lavado, empapado o manchado con gas, disolventes de limpieza en seco u otras sustancias inflamables o explosivas, porque desprenden vapores que pueden provocar fuego o una explosión.
- Los artículos que se hayan ensuciado con sustancias como aceite de cocina, acetona, alcohol, gasolina, queroseno, quitamanchas, aguarrás, ceras y quitaceras, deberán lavarse en agua caliente con una cantidad adicional de detergente antes de secarse en la secadora.
- No seque en la secadora artículos que no hayan sido lavados.
- No utilice esta secadora si se han usado productos químicos industriales para la limpieza. La posible presencia de residuos de productos químicos agresivos o descompuestos en la carga puede producir daños en la secadora y gases nocivos.
- Riesgo de asfixia y lesiones por atrapamiento: No permita que los niños jueguen sobre o dentro del electrodoméstico. Es necesario supervisar a los niños cuando se use el electrodoméstico cerca de ellos.
- Esta secadora no está pensada para que la utilicen personas (incluidos niños de 8 años y más edad) con discapacidad física, sensorial o mental, o con falta de experiencia y de conocimientos, a menos que estén supervisadas o reciban instrucciones adecuadas sobre la utilización de la secadora por una persona responsable de su seguridad.
- Antes de poner fuera de servicio o desechar la secadora, retire la puerta del compartimento de la secadora.
- Cuando se produzca una avería, solo se utilizarán piezas de recambio autorizadas.
- No introduzca las manos en la secadora si el tambor está en movimiento.
- No abra la puerta mientras la secadora esté funcionando. Esta se detendrá.
- Cuando cargue o vuelva a cargar la secadora, evita tocar las partes metálicas del tambor que estén calientes (riesgo de quemaduras).
- Retire todos los objetos de los bolsillos como, por ejemplo, mecheros y cerillas.
- Desconecte el aparato de la fuente de alimentación durante las tareas de mantenimiento y al cambiar las piezas.
- Si la rotación del tambor está bloqueada debido a materiales textiles atascados, desconecte la secadora del suministro eléctrico antes de retirar cuidadosamente lo que esté atascado.
- No use la secadora si no calienta o si parece defectuosa o dañada. Si hay un código de error, no utilice la secadora. Póngase en contacto con el propietario.
- No instale ni almacene la secadora donde esté expuesta a la intemperie.
- No manipule los mandos.
- Limpie el filtro de pelusa de la secadora antes o después de cada carga.
- No use esta secadora sin tener el filtro de pelusa en su lugar.
- No repare ni reemplace ninguna pieza de la secadora ni intente realizar ningún mantenimiento, a menos que se recomiende específicamente en estas instrucciones de instalación, que entienda y que tenga la capacidad para hacerlo.
- Los suavizantes o productos similares deben utilizarse como se especifica en sus instrucciones.
- No deben secarse en la secadora artículos como gomaespuma (espuma de látex), gorros de ducha, materiales textiles impermeables, artículos y prendas con revestimiento de goma o almohadas con gomaespuma.
- La parte final de un ciclo de rotación en la secadora ocurre sin calor (ciclo de enfriamiento) para asegurarse de que los artículos queden a una temperatura que garantice la ausencia de daños.
- **ADVERTENCIA:** No detenga la secadora antes de finalizar el ciclo de secado a no ser que saque y extienda todos los artículos rápidamente para disipar el calor. (Evita el riesgo de combustión espontánea).
- En caso de fallo en el suministro eléctrico, saque la carga rápidamente y extíndala para evitar el riesgo de combustión espontánea.
- Mantenga la zona alrededor de la abertura de ventilación y las zonas adyacentes a esta abertura sin pelusa, polvo o suciedad.
- No deben bloquearse ni sellarse las aberturas de ventilación de aire fresco de la habitación y la secadora.
- No use piezas de repuesto que no hayan sido recomendadas por el fabricante (por ejemplo, piezas hechas en casa con una impresora 3D).
- Control de parada de emergencia: Después de la instalación, debe mantenerse en todo momento el acceso al enchufe de alimentación (secadora a gas) mediante un interruptor bipolar con el fin de garantizar la desactivación inmediata de la secadora en caso de emergencia.
- El interior de la secadora y el conducto de ventilación deben limpiarse periódicamente. Esta limpieza la debe llevar a cabo personal de servicio autorizado de Whirlpool.

CONSERVE ESTAS INSTRUCCIONES
-continúa en la página siguiente-

- La limpieza y el mantenimiento del usuario no debe ser realizados por niños sin supervisión.
- **ADVERTENCIA:** La alimentación del aparato no debe realizarse a través de ningún dispositivo de conmutación externo como, por ejemplo, un temporizador, ni conectarse a ningún circuito que se encienda y apague regularmente a través de un proveedor de servicios.
- No instale la secadora detrás de una puerta con cerradura, puerta corredera o puerta con bisagra en el lado opuesto al del tambor de la secadora para que la abertura completa de la puerta de la secadora no se vea obstaculizada.
- Este aparato está destinado, pero no limitado, al uso en lugares públicos.
- Los niños menores de 3 años deben permanecer alejados del electrodoméstico, a menos que estén bajo continua supervisión.
- La toma de tierra de este aparato solo tiene una finalidad funcional.
- Capacidad de carga IEC - 10,5 kg.
- El aire de escape no debe descargarse en una chimenea que se utilice para la evacuación de humos de aparatos que quemen gas u otros combustibles.
- No utilice una chimenea de mampostería sin revestimiento como conducto de humos para este aparato.
- Si aparece un código de error, póngase en contacto con el propietario. El propietario deberá llamar al servicio técnico.
- No utilice ni almacene materiales inflamables dentro o cerca de este aparato.
- No coloque artículos sobre o contra este aparato.
- El aire de salida no se descargará en una chimenea que se utilice para otros aparatos.
- Consulte la sección “Requisitos eléctricos” para ver las instrucciones de conexión a tierra.
- Debe haber una ventilación adecuada en el recinto para evitar el reflujo de gases procedentes de aparatos que utilicen otros combustibles, incluidas llamas vivas.
- Los artículos ensuciados con aceite pueden inflamarse espontáneamente, sobre todo cuando se exponen a fuentes de calor, como en una secadora. Los artículos se calientan, provocando una reacción de oxidación en el aceite. La oxidación crea calor. Si el calor no puede escapar, los artículos pueden calentarse lo suficiente como para incendiarse. Apilar o almacenar artículos ensuciados con aceite puede impedir la salida del calor y crear así un riesgo de incendio.
- Consulte la sección DIMENSIONES/ESPACIOS LIBRES para conocer los requisitos de espacio mínimo de instalación.
- Esta secadora no está equipada con un cable de alimentación y un enchufe. Deben preverse medios de desconexión de la red de suministro que tengan una separación de contactos en todos los polos que permita la desconexión total en condiciones de sobretensión de categoría III; de lo contrario, los medios de desconexión deben incorporarse en el cableado fijo de acuerdo con las normas de cableado.
- El diseño de esta secadora ha sido homologado para su uso en altitudes de hasta 3.048 m (10.000 pies) sobre el nivel del mar en la clasificación B.T.U. indicada en la placa del modelo/serie. No es necesario ajustar la entrada del quemador cuando la secadora funciona hasta esta altura. Para instalar este producto a una altura superior a 3.048 m (10.000 pies), póngase en contacto con su distribuidor local Maytag o con un servicio técnico cualificado similar.
- Este electrodoméstico debe instalarse sobre un suelo de hormigón o similar adecuado para su peso.

CONSERVE ESTAS INSTRUCCIONES

INSTRUCCIONES DE MANTENIMIENTO

- Limpie el filtro de pelusa antes y después de cada ciclo.
- Eliminación de pelusa acumulada:
En el interior de la carcasa de la secadora:
Según el uso de la secadora, debe eliminarse la pelusa cada 2 años o con más frecuencia. La limpieza deberá efectuarla un técnico autorizado de Whirlpool.
En el conducto de ventilación:
Según el uso de la secadora, debe eliminarse la pelusa cada 2 años o con más frecuencia.
- Mantenga la zona alrededor de la secadora despejada y alejada de materiales combustibles y gas, además de otros líquidos y vapores inflamables.
- Mantenga la zona donde está la secadora despejada y libre de artículos que pudieran obstruir el flujo de aire para la combustión y la ventilación.

Si la secadora no funciona, revise lo siguiente:

- Que el suministro eléctrico esté conectado.
- Que el disyuntor no se haya disparado o el fusible de la vivienda no esté quemado.
- Que la puerta esté cerrada. Escuche detenidamente para oír cuando se active el interruptor de la puerta.
- Que los mandos estén fijados en la posición de funcionamiento u “on”.
- En el caso de las secadoras a gas, verifique que las llaves de paso del suministro de gas estén en la posición abierta.

ADVERTENCIA: La conexión incorrecta del conductor de conexión a tierra del equipo puede conllevar riesgo de descarga eléctrica. Usted es responsable de consultar a un electricista o representante de servicio cualificado si duda que la conexión a tierra de la secadora sea la adecuada y cumpla con todas las normativas y reglamentos locales. No modifique el enchufe suministrado con la secadora: si no encaja en la toma de corriente, encargue a un electricista cualificado la instalación de una toma de corriente adecuada.

SI NECESITA ASISTENCIA

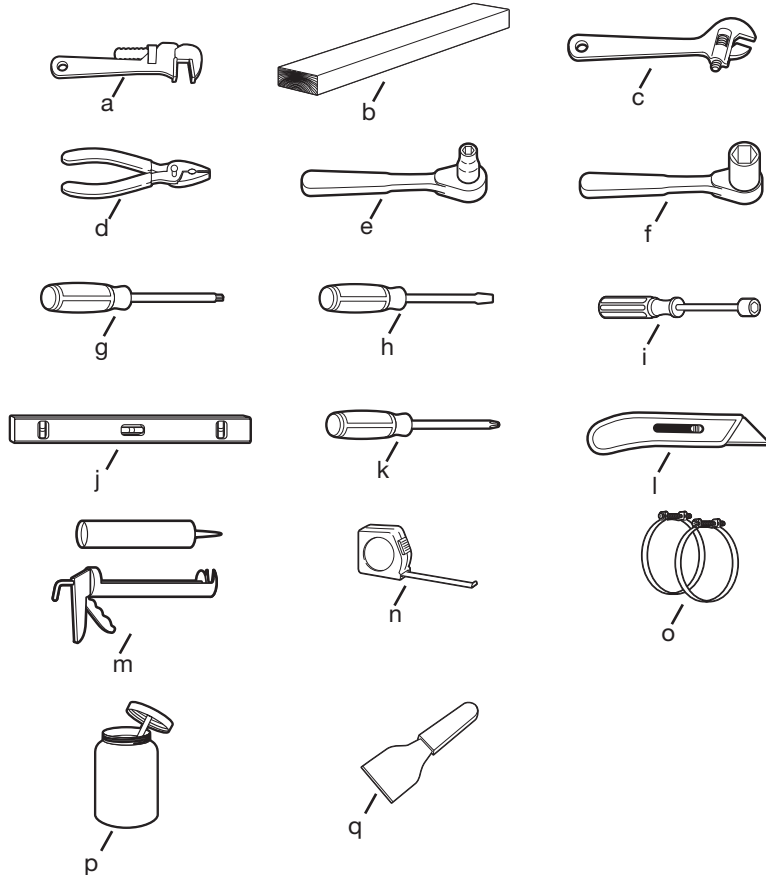
Si necesita ayuda, póngase en contacto con el distribuidor donde ha adquirido el aparato o con una compañía de servicio técnico designada por Maytag. Cuando llame, tenga a mano la fecha de compra y el número completo del modelo y de serie de su aparato. Esta información nos ayudará a atender mejor su solicitud.

SI NECESITA ASISTENCIA TÉCNICA:

Póngase en contacto con su distribuidor autorizado de Maytag Commercial Laundry. Para localizar su distribuidor autorizado de Maytag Commercial Laundry, visite www.maytagcommerciallaundry.com.

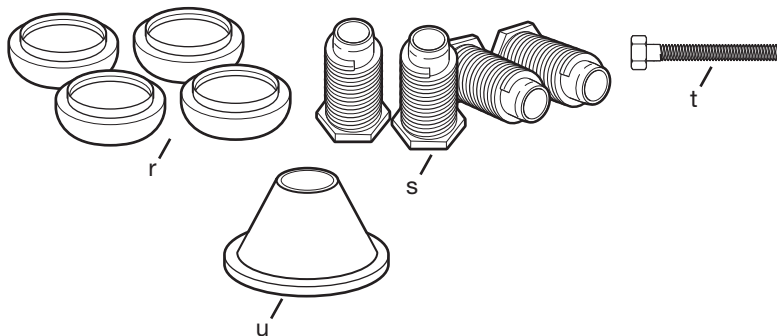
HERRAMIENTAS Y PIEZAS

Herramientas y piezas necesarias



- a. Llave de tubo de 8" (200 mm) o 10" (250 mm)
- b. Bloque de madera de 27" (686 mm)
- c. Llave ajustable de 8" (200 mm) o 10" (250 mm) se abre hasta 1" (25 mm)
- d. Alicates abiertos a 1⁹/₁₆" (39 mm)
- e. Llave de tubo de 5/16" (8 mm)
- f. Llave de tubo de 1" (25 mm) con cabeza hexagonal
- g. Destornillador Philips
- h. Destornillador de hoja plana
- i. Destornillador de tuerca de 1/4" (6 mm)
- j. Nivel
- k. Destornillador de seguridad TORX® T20[†] o broca
- l. Cuchillo multiuso
- m. Pistola de calafatear y calafateo para la instalación de la nueva salida de humos
- n. Regla o cinta métrica
- o. Abrazaderas de ventilación
- p. Compuesto de unión de tuberías adecuado para el tipo de gas
- q. Espátula para masilla

PIEZAS SUMINISTRADAS (las piezas reales suministradas dependen del modelo):



- r. Tapa protectora (4)
- s. Pata niveladora (4)
- t. Perno de seguridad hexagonal 5/16" 18 x 2 1/2"
- u. Cono de seguridad (solo modelos PD)

NOTA: El diagrama del circuito para esta secadora está situado dentro del panel frontal inferior, en las hojas técnicas.

Especificaciones técnicas:

230 V, 60 Hz CA

4575 W

Peso total: 68 kg máximo

[†]TORX y T20 son marcas comerciales de Acument Intellectual Properties, LLC.

ESPECIFICACIONES

Estas unidades se venden en distintas regiones con distintos requisitos en cuanto a capacidad. A continuación se enumeran algunas formas de medición especificadas en este producto:

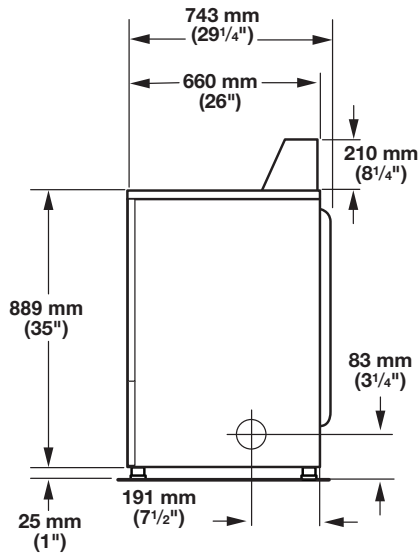
Capacidad de ropa seca: Una medida de peso que refleja el umbral mínimo para la capacidad de volumen en seco necesaria para los aranceles a las importaciones.

Capacidad IEC: La medida de capacidad que indica la capacidad máxima de materiales textiles y ropa seca que el fabricante declara que pueden tratarse en un ciclo específico.

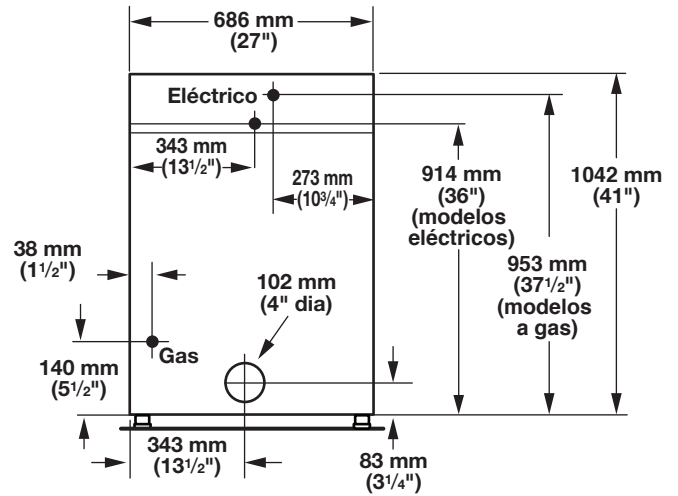
Capacidad de ropa seca
10,5 kg (23 libras)
Capacidad IEC
10,5 kg (23 libras)
Nivel sonoro
LpA: 58 dB(A) (KPa+/-10 dB[A])

Dimensiones

Vista lateral

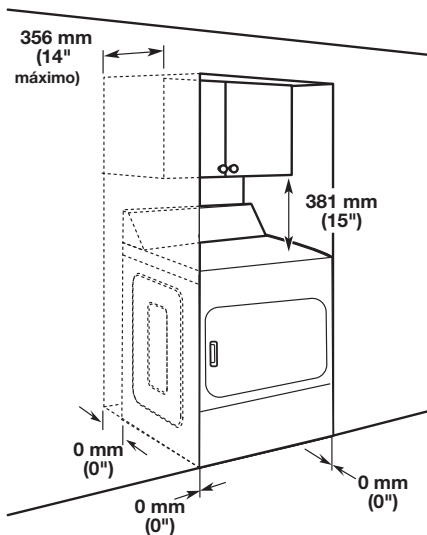


Vista posterior

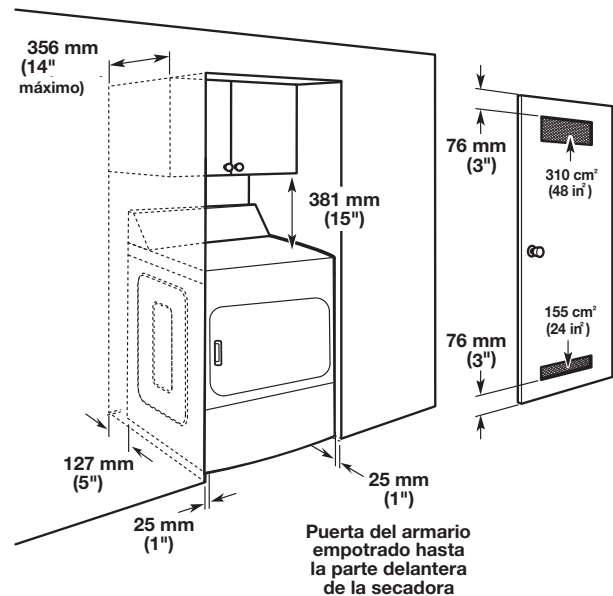


Espacios libres

Vista frontal, empotrada



Vista lateral, en armario empotrada



REQUISITOS DE UBICACIÓN

⚠ ADVERTENCIA



Peligro de Explosión

Mantenga los materiales y vapores inflamables, como la gasolina, lejos de la secadora.

No seque ningún artículo que haya tenido alguna vez cualquier sustancia inflamable (aún después de lavarlo).

Coloque la secadora a un mínimo de 18 pulgadas (460 mm) sobre el piso para la instalación en un garaje.

No seguir estas instrucciones puede ocasionar la muerte, explosión o incendio.

La secadora puede instalarse en un sótano, lavadero o lugar empotrado.

Esta secadora no ha sido diseñada para instalarse en una casa móvil. Se requiere un kit adaptador según estas instrucciones de instalación para que esta secadora se utilice en una casa prefabricada/móvil.

También deberán tenerse en cuenta los requisitos de ubicación de otro aparato que le acompañe.

IMPORTANTE: No instale ni almacene la secadora donde esté expuesta a la intemperie. Usted es responsable de su correcta instalación.

Necesitará:

- Una toma de corriente eléctrica con conexión a tierra ubicada a una distancia máxima de 1,8 m (6 pies) del lugar donde el cable eléctrico está fijado a la parte trasera de la secadora. Consulte "Requisitos eléctricos".
- Un suelo nivelado con una pendiente máxima de 25 mm (1") debajo de la secadora completa. No se recomienda la instalación de la secadora en superficies de suelo suave, como alfombras o superficies con soporte de espuma.

Espacios libres en la instalación de la secadora

- El lugar debe ser lo suficientemente grande para permitir que la puerta de la secadora se abra completamente.
- Debe considerarse espacio adicional para facilitar la instalación y el mantenimiento. La puerta se abre más de 180°.
- Podrían ser necesarios espacios libres adicionales para las molduras de la pared, la puerta y el suelo.
- Se recomienda un espacio adicional de 25 mm (1") en todos los lados de la secadora para reducir la transferencia de ruido.

Cuando instale una secadora:

IMPORTANTE: Respete todas las normativas y reglamentos vigentes.

- **Verifique los requisitos de las normativas:** Algunas normativas limitan, o no permiten, la instalación de la secadora en garajes, armarios empotrados o dormitorios. Póngase en contacto con el inspector de construcciones de su localidad.
- **Solo secadoras a gas:** Asegúrese de que los bordes inferiores de la carcasa, además de los lados de la parte posterior e inferior de la secadora, estén libres de obstrucciones para permitir el espacio adecuado de aberturas para la combustión de aire. Consulte a continuación el apartado "Instrucciones para la instalación empotrada o en armario empotrado" para ver los requisitos mínimos de espacio.

Instrucciones para la instalación empotrada o en armario empotrado

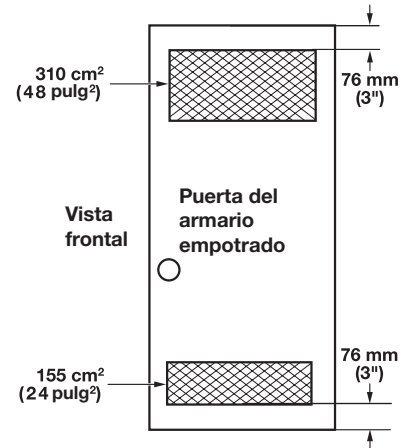
Esta secadora podrá instalarse en un lugar empotrado o en un armario empotrado. Para la instalación empotrada o en armario empotrado, los espacios libres mínimos figuran en la etiqueta de advertencia ubicada en la parte posterior de la secadora o en la sección "Dimensiones/espacios libres".

El espacio de instalación se expresa en milímetros y es el mínimo permitido. Debe considerarse espacio adicional para facilitar la instalación, el mantenimiento y el cumplimiento de las normativas y reglamentos locales.

Si se instala una puerta de armario, la abertura mínima de aire sin obstrucciones en la parte superior e inferior de la puerta deberá ser la representada en el siguiente diagrama. Se acepta la puerta de persiana con aberturas de aire equivalentes.

La secadora debe ventilarse al exterior.

No podrá instalarse ningún otro aparato que use combustible en el mismo armario empotrado en que se encuentre la secadora.



REQUISITOS ELÉCTRICOS DE LA SECADORA A GAS

⚠ ADVERTENCIA



Voltaje Peligroso

IMPORTANTE: Respete todas las normativas y reglamentos vigentes.

Esta secadora se suministra sin cable ni enchufe eléctrico. Debe ser conectada por un técnico autorizado de Whirlpool a un suministro eléctrico monofásico con la tensión indicada en la placa de datos, utilizando una instalación de cableado fijo adecuada conforme a las normas de cableado locales y nacionales.

- Debe utilizarse un cable circular de 3 hilos con un área de sección transversal de 4,0 mm² de tamaño de conductor mínimo.
- Se requiere un suministro eléctrico con fusibles de 230 V, 60 Hz. Se recomienda un fusible o disyuntor de 10 A-16 A con retardo y un electricista capacitado debe incorporar en el cableado fijo un interruptor de apagado indicado claramente con una separación de contacto en los dos polos que proporcione una desconexión completa en las condiciones de sobretensión de categoría III de acuerdo con las normas de cableado locales. La secadora debe estar posicionada de manera que el interruptor de desconexión sea claramente visible y de fácil acceso para el usuario. Este interruptor de desconexión también tiene la función de control de parada de emergencia para el usuario.
- Con la secadora se proporciona un casquillo de sujeción de cable, que debe apretarse al finalizar el cableado. Los terminales de alimentación eléctrica están ubicados detrás

del pequeño panel de acceso trasero (cubierta del bloque de terminales), y las conexiones deben realizarse de acuerdo con las marcas del terminal. Recuerde que debe volver a colocar el panel de acceso de los terminales (cubierta del bloque de terminales).

- Filipinas: El tomacorriente debe cumplir con el estándar nacional filipino PNS 1572:1997 Anexo A, 250 V, 10 A o 15 A, 2 polos, 3 hilos, receptáculo con conexión a tierra.

NOTA: De acuerdo con la Directiva Europea de compatibilidad electromagnética (2014/30/UE), la impedancia del sistema de suministro eléctrico máxima a la que debe conectarse la secadora a gas debe ser de $0,054 \Omega + j0,034 \Omega$.

NOTA: Normas de seguridad eléctrica: el fabricante ha optado por cumplir las normas IEC/EN.60335 por ser las más apropiadas para este producto.

⚠ ADVERTENCIA



Peligro de choque eléctrico

Este es un aparato de 3 hilos y debe estar conectado a tierra.

Ajuste bien todas las conexiones eléctricas.

No seguir estas instrucciones puede ocasionar la muerte, incendios o descargas eléctricas.

Si las normativas lo permiten y se emplea un cable de conexión a tierra adicional, es recomendable que un electricista cualificado determine si la trayectoria de conexión a tierra es adecuada.

Método recomendado de conexión a tierra:

Usted es responsable de ponerse en contacto con un instalador eléctrico cualificado para asegurarse de que la instalación eléctrica sea adecuada y de conformidad con todas las normativas y reglamentos locales.

No conecte a tierra una tubería de gas.

REQUISITOS DE GAS

Suministro de gas

⚠ ADVERTENCIA



Peligro de Explosión

Use una línea de suministro de gas nueva con aprobación CSA Internacional.

Instale una válvula de cierre.

Apriete firmemente todas las conexiones de gas.

Si se conecta a un suministro de gas LP, la presión no debe exceder una columna de agua de 33 cm (13") y debe ser verificada por una persona calificada.

Ejemplos de una persona calificada incluyen:

**personal de servicio del sistema de calefacción con licencia,
personal autorizado de la compañía de gas, y
personal autorizado para dar servicio.**

No seguir estas instrucciones puede ocasionar la muerte, explosión o incendio.

Suministro de gas

Antes de la instalación, compruebe que sean compatibles las condiciones de distribución de gas local, el tipo y la presión del gas, y el ajuste del aparato. La información sobre el quemador se encuentra en la placa de características con el número de modelo/serie en el hueco de la puerta de la secadora. Si esta información no coincide con el tipo de gas disponible, consulte a su distribuidor.

Gas natural:

Esta secadora ha sido ajustada en fábrica para su uso con GAS NATURAL (G20) y no debería necesitar ningún otro ajuste durante su instalación.

L.P.:

Esta secadora también está certificada para su uso con gas L.P. (propano o butano) con la conversión adecuada. No debe intentarse convertir el aparato del gas especificado en la placa de características con el número de modelo/serie para utilizar un gas distinto sin consultar con el proveedor de gas.

Requisitos de la línea de suministro:

Provea una línea de suministro de gas rígida hasta la ubicación de la secadora. Debe tener un mínimo de 12,5 mm (1/2") de diámetro interno. Cuando resulte aceptable para el proveedor de gas y las normativas locales, puede utilizarse una línea de suministro rígida de 10 mm (3/8") de diámetro interno para longitudes menores que 6,1 m (20'). Deben usarse compuestos para uniones de tubería que sean resistentes a la acción del gas L.P.

La conexión de gas a la secadora debe realizarse con una manguera de gas flexible adecuada para el aparato y la categoría de gas de acuerdo con las normas nacionales de instalación. En caso de duda, póngase en contacto con el proveedor de gas. Debe tener un mínimo de 10 mm (3/8") de diámetro interno.

Debe utilizarse un medio de sujeción entre la secadora y la pared para evitar que se ejerza tensión en el suministro de gas rígido cuando se mueva la secadora. Se recomiendan una cadena de longitud adecuada y un gancho de pared.

La conexión de entrada de gas a la secadora es una rosca de NPT de 3/8". Se proporciona un adaptador para convertirla a una rosca según la norma ISO.228-1 (3/8" BSP).

Verifique si hay fugas utilizando una solución homologada para detección de fugas que no sea corrosiva. Si hay fugas, se observarán burbujas. Elimine cualquier fuga que encuentre. Se ha provisto una toma para medir la presión en la válvula de gas, que está ubicada dentro de la secadora y es accesible después de haber retirado el panel frontal inferior.

Durante cualquier prueba de presión del sistema, la secadora debe desconectarse del sistema de tubería del suministro de gas.

REQUISITOS DE VENTILACIÓN DE LA SECADORA

⚠️ ADVERTENCIA

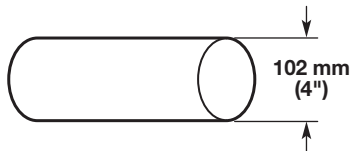


Peligro de Incendio

- Use un ducto de escape de metal pesado.
- No use un ducto de escape de plástico.
- No use un ducto de escape de aluminio.
- No seguir estas instrucciones puede ocasionar la muerte o incendio.

ADVERTENCIA: Para reducir el riesgo de incendio, esta secadora DEBE VENTILARSE HACIA EL EXTERIOR.

El conducto de ventilación de la secadora no debe conectarse en ningún conducto de gas, chimenea, pared, techo, desván, techo falso o el espacio oculto de un edificio. Debe usarse solamente un conducto de metal rígido o flexible para la ventilación.



Ventilación de escape metálica y pesada de 102 mm (4")

- Solo pueden usarse un conducto de ventilación de metal pesado de 102 mm (4") y abrazaderas.
- No utilice un conducto de ventilación de plástico ni de hoja de metal.

Conducto de ventilación de metal rígido:

- Se recomienda para un mejor rendimiento de secado y para evitar que se aplaste o se retuerza.

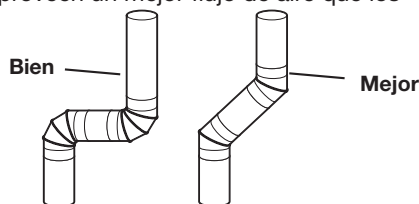
Conducto de ventilación de metal flexible: (Es aceptable solo si es accesible para la limpieza)

- Debe extenderse por completo y tener soporte en la ubicación final de la secadora.
- Quite el exceso del mismo para evitar que se doble y se retuerza, lo cual puede dar lugar a una reducción del flujo de aire y a un rendimiento insuficiente.
- No instale un conducto de ventilación de metal flexible en paredes, techos o suelos cerrados.
- La longitud total no debe superar los 2,4 m (7¾ pies).

NOTA: Si se usa un sistema de ventilación existente, limpie la pelusa que está en toda la longitud del sistema y asegúrese de que la capota de ventilación no esté obstruida con pelusa. Reemplace los conductos de ventilación de plástico o de hoja de metal por conductos de metal rígido o de metal flexible. Revise el "Cuadro del sistema de ventilación" y, si es necesario, modifique el sistema de ventilación existente para lograr el mejor rendimiento de secado.

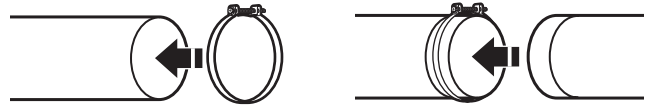
Codos:

- Los codos de 45° proveen un mejor flujo de aire que los codos de 90°.



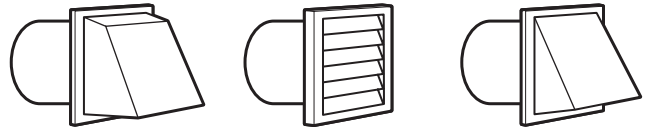
Abrazaderas:

- Utilice abrazaderas para sellar todas las juntas.
- No debe conectarse ni asegurarse el conducto de ventilación con tornillos ni con ningún otro dispositivo de sujeción que se extienda hacia el interior de dicho conducto y atrape pelusa. No utilice cinta para conductos.



Capotas de ventilación

Capotas de ventilación de 102 mm (4") de diámetro

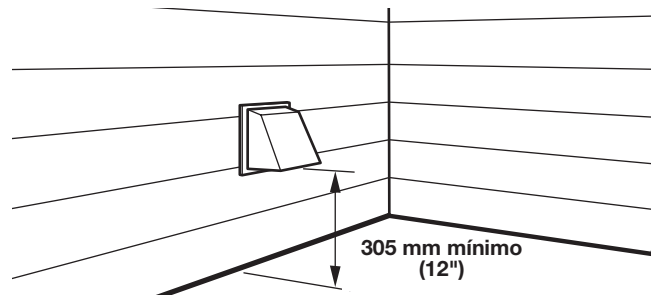


Capota tipo caja

Capota tipo persiana

Capota angular

La capota de ventilación debe estar por lo menos a 305 mm (12") de distancia del suelo o de cualquier objeto que pueda estar en la trayectoria del conducto de ventilación (como flores, rocas, arbustos o nieve).



Longitud del sistema de ventilación

Longitud máxima del conducto de ventilación/ conexión de ventilación

La longitud máxima del sistema de ventilación depende del tipo de conducto que se use, el número de codos y el tipo de capota de ventilación.

Cuadro del sistema de ventilación (conducto de ventilación de metal rígido)

N.º de vueltas de 90°	Capota tipo caja y tipo persiana	Capota angular
0	39,6 m (130 pies)	39,3 m (129 pies)
1	38,1 m (125 pies)	36,3 m (119 pies)
2	35,1 m (115 pies)	33,2 m (109 pies)
3	32,3 m (106 pies)	30,5 m (100 pies)
4	29,9 m (98 pies)	28,0 m (92 pies)

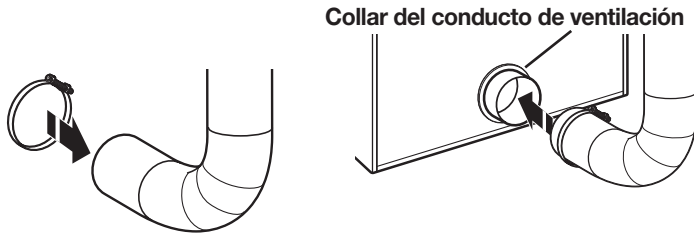
Para los sistemas de ventilación que no se cubren en la tabla de especificación de ventilación, consulte con su distribuidor de piezas.

Deben preverse suficiente aire para la combustión y la ventilación. (Verifique las normativas y reglamentos vigentes). Consulte "Instrucciones para la instalación empotrada o en armario empotrado" en la sección "Requisitos de ubicación".

Es preferible una capota de salida de 102 mm (4"). Sin embargo, puede usarse una capota de salida de ventilación de 64 mm (2½"). Una salida de 64 mm (2½") crea mayor contrapresión que otros tipos de capota. Para una instalación permanente, se necesita un sistema fijo de ventilación.

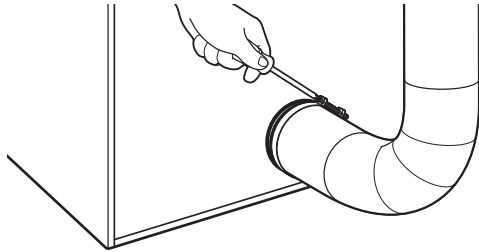
Conexión del conducto de ventilación

1. Si se conecta a un conducto de ventilación existente, asegúrese de que esté limpio.
2. Usando una abrazadera de 4" (102 mm), conecte el conducto a la salida de ventilación en la secadora.

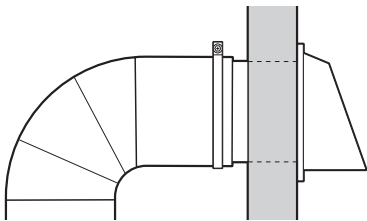


NOTA: No retire el collar del conducto de ventilación.

3. Apriete la abrazadera de manguera con un destornillador Phillips.



4. Asegúrese de que el conducto de ventilación esté asegurado a la capota de ventilación con una abrazadera de 4" (102 mm).

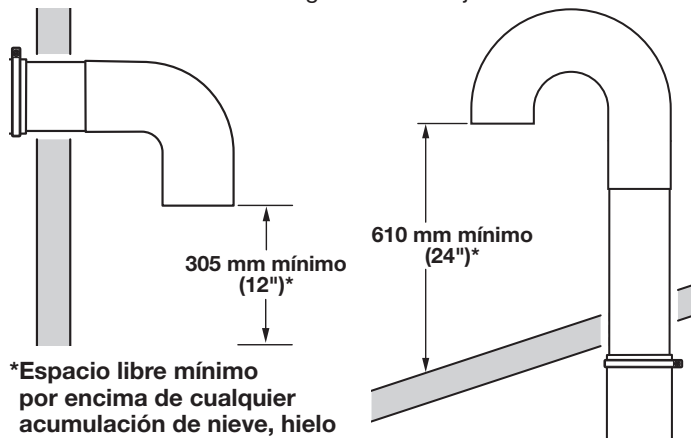


5. Mueva la secadora a su posición final. No aplaste ni retuerza el conducto de ventilación. Asegúrese de que la secadora esté nivelada.

NOTA: Debe utilizarse un manómetro para probar que haya una ventilación adecuada. Mínimo: 0,2 mm (0,01"). Máximo: 16 mm (0,6").

Si no puede usarse una capota de ventilación

El extremo exterior del conducto de ventilación principal debe tener un codo redondo dirigido hacia abajo.



*Espacio libre mínimo por encima de cualquier acumulación de nieve, hielo o desechos como hojas

Si el conducto de ventilación principal tiene una trayectoria vertical a través del techo en vez de la pared, instale un codo redondo de 180° en el extremo del conducto, a un mínimo de 610 mm (2 pies) por encima de la superficie del techo.

La abertura en la pared o el techo deberá tener un diámetro de 13 mm (1/2") mayor que el diámetro del conducto. El conducto debe centrarse en la abertura.

Para obtener el mejor rendimiento, no instale ninguna pantalla sobre el extremo del conducto.

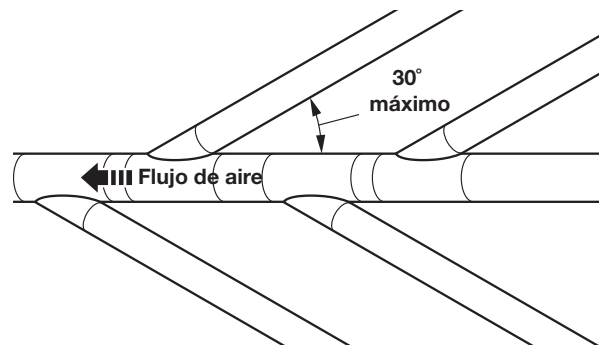
Ventilación de varias secadoras

Puede usar un ducto principal para ventilar un grupo de secadoras. La ventilación principal debe estar dimensionada para eliminar 5663 l/min (200 CFM) de aire por secadora. Pueden usarse filtros de pelusa de gran capacidad con el diseño adecuado en el conducto principal si se comprueban y limpian con frecuencia. La habitación en donde están ubicadas las secadoras debe tener aire de reposición equivalente o mayor que los pies cúbicos por minuto de todas las secadoras en la habitación.

Las compuertas de contratiro se encuentran disponibles de su distribuidor y deben instalarse en el conducto de cada secadora para evitar que el aire de escape regrese a las secadoras, así como para mantener el conducto de ventilación equilibrado con el conducto principal. Se requieren aberturas de aire de retorno sin obstrucciones.

Aunque generalmente todas las secadoras de una sola carga deben tener una abertura de aire exterior sin obstrucciones de 155 cm² (24 pulg²) (basándose en 6,5 cm² [1 pulg²] por cada 252 kcal [1.000 B.T.U.]), también se admiten las aberturas de aire de reposición comunes. Disponga las aberturas comunes de modo que el aire de reposición se distribuya de manera uniforme a todas las secadoras. Tenga en cuenta que el área de cobertura debe aumentar un 33% para poder utilizar tapas de registro o rejillas sobre las aberturas. Además, las aberturas de aire de reposición no deben instalarse cerca del lugar donde los conductos de ventilación salgan del edificio.

Cada conducto debe entrar en el conducto de ventilación principal a un ángulo que apunte hacia la dirección del flujo de aire. Los conductos que entran del lado opuesto deben alternarse para reducir la interferencia del aire de salida con los otros conductos.



El ángulo máximo de cada conducto que entra en el conducto principal no debe ser mayor que 30°.

Mantenga las aberturas de aire libres de gases de los líquidos de limpieza en seco. Los gases producen ácidos que pueden dañar las secadoras y los artículos que estén secándose cuando pasan por las unidades de calentamiento de las secadoras.

Debe haber una cubierta de limpieza en el conducto principal para realizar una limpieza periódica del sistema de ventilación.

NOTA: Para más información sobre la ventilación de la secadora, consulte el documento de Whirlpool W10100920.

INSTALACIÓN DE LAS PATAS NIVELADORAS Y LA CAJA DE MONEDAS

En la consola se encuentra el tablero de control electrónico. El tablero está configurado de fábrica para un tiempo de secado de 30 minutos. Consulte la hoja técnica que se encuentra dentro del panel de pie de la secadora para volver a fijar el tiempo de secado y otras opciones.

El mecanismo de lectura de tarjeta no está incluido, pero puede encargárselo a su proveedor habitual.

⚠ ADVERTENCIA

Peligro de Peso Excesivo

Use dos o más personas para mover e instalar la secadora.

No seguir esta instrucción puede ocasionar una lesión en la espalda u otro tipo de lesiones.

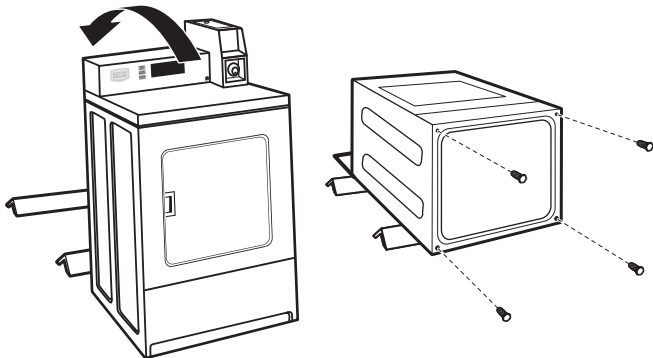
1. Prepare la secadora para las patas niveladoras

NOTA: Deslice la secadora sobre un pedazo de cartón o madera dura antes de moverla para no dañar el revestimiento del suelo.

Con la ayuda de dos o más personas, mueva la secadora al lugar deseado para su instalación.

Retire la cinta de las esquinas frontales de la secadora. Abra la secadora y saque los paquetes que contienen la documentación y las piezas. Limpie el interior del tambor con un paño húmedo para eliminar el polvo.

Tome dos de las esquinas de cartón de la caja de la secadora y colóquelas sobre el suelo en la parte posterior de la secadora. Sujete con firmeza el cuerpo de la secadora y colóquela cuidadosamente sobre su parte posterior encima de las esquinas de cartón. Desconecte el suministro eléctrico antes de realizar las conexiones eléctricas.



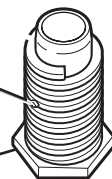
(El aspecto puede variar)

2. Atornille las patas niveladoras

Examine las patas niveladoras y localice la marca en forma de diamante. Atornille con la mano las patas en los orificios de las mismas. Use una llave ajustable o una llave de tubo de cabeza hexagonal de 25 mm (1") para terminar de girar las patas hasta que la marca con forma de diamante ya no sea visible. A continuación, encaje una cuña sobre cada pata.

Marca en forma de diamante

Pata



Para proteger el suelo, use un pedazo de cartón grande de la caja de la secadora. Coloque la secadora en posición vertical sobre el cartón. Deslice la secadora hasta que quede cerca de su ubicación final. Deje suficiente espacio para la conexión eléctrica y para conectar el conducto de ventilación.

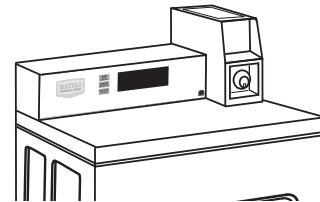
Si es necesario, hay disponible un pie nivelador más largo, número de pieza 279810, para suelos muy inclinados.

En la caja del contador se encuentra el temporizador del acumulador instalado de fábrica con brazo de accionamiento o interruptor de servicio.

Es posible que no estén incluidas las cerraduras de la puerta de servicio y de la caja de monedas y su correspondiente llave, pero las puede adquirir de su proveedor habitual.

1. Instale la caja de monedas

Retire la puerta de servicio de la caja del contador levantándola por la parte posterior. Instale el dispositivo para aceptar el dinero. (Consulte las instrucciones del fabricante para ver la instalación adecuada.)



Vuelva a colocar la puerta de servicio de la caja del contador. Coloque el depósito con la cerradura y llave en la abertura de la caja del contador.

Quite el cartón o la madera que se encuentra debajo de la secadora. Regule las patas de la secadora hacia arriba o hacia abajo hasta que esté nivelada.

2. Instale el dispositivo de seguridad adicional

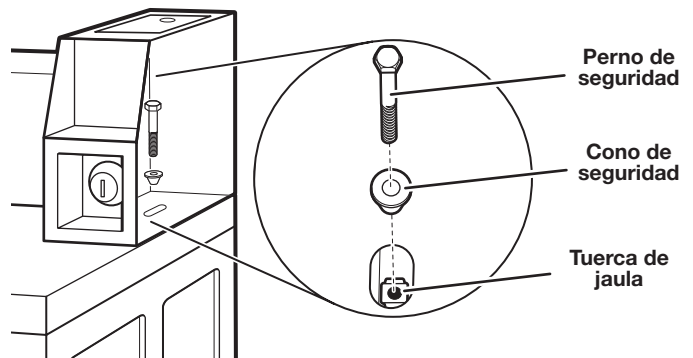
Asegúrese de que no haya suministro eléctrico a la secadora.

Abra y retire la puerta de servicio.

Inserte la parte estrecha del cono de seguridad en el orificio alargado en la parte inferior posterior del conjunto de la caja del contador.

Pase el perno de seguridad a través de este cono y enrósquelo manualmente en la tuerca de jaula debajo del orificio alargado.

Apriete a mano el perno de seguridad varias vueltas antes de usar una llave para apretarlo hasta que esté bien ajustado.



NOTA: La instalación del perno ofrece mayor seguridad, pero prolongará el tiempo de servicio cuando sea necesario retirar la parte superior para el mantenimiento de la secadora.

NIVELACIÓN

Una nivelación adecuada de su secadora reduce el exceso de ruido y vibración.

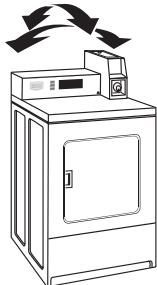
⚠ ADVERTENCIA

Peligro de Peso Excesivo

Use dos o más personas para mover e instalar la secadora.

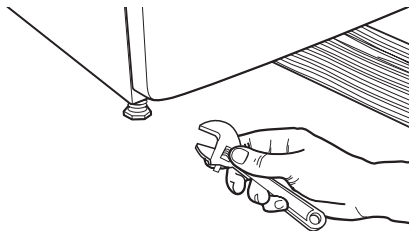
No seguir esta instrucción puede ocasionar una lesión en la espalda u otro tipo de lesiones.

1. Retire el cartón que está debajo de la secadora. Coloque un nivel en los bordes superiores de la secadora, revisando cada lado y el frente. Si la secadora no está nivelada, inclínela y ajuste las patas hacia arriba o hacia abajo como se muestra en el paso 3, repitiendo si es necesario.
2. Sujete la secadora de la parte superior y balancéela desde atrás hacia delante, asegurándose de que las cuatro patas estén firmes en el suelo. Repítalo, balanceando la secadora de un lado al otro. Si la secadora se balancea, vaya al paso 3 y regule las patas niveladoras.



3. Si la secadora no está nivelada, use una llave de boca de 25 mm o 1" o una llave ajustable para girar la pata niveladora hacia la izquierda para bajar la secadora o hacia la derecha para levantarla. Vuelva a verificar la nivelación de la secadora y que las cuatro patas estén en contacto firme con el suelo. Repita el procedimiento si es necesario.

CONSEJO ÚTIL: Puede apuntalar el frente de la secadora aproximadamente 102 mm (4") con un bloque de madera o un objeto similar que vaya a soportar el peso de la secadora.



CONEXIÓN DEL SUMINISTRO DE GAS (en algunos modelos)

Establecimiento de la conexión de gas

⚠ ADVERTENCIA



Peligro de Explosión

Use una línea de suministro de gas nueva con aprobación CSA Internacional.

Instale una válvula de cierre.

Apriete firmemente todas las conexiones de gas.

Si se conecta a un suministro de gas LP, la presión no debe exceder una columna de agua de 33 cm (13") y debe ser verificada por una persona calificada.

Ejemplos de una persona calificada incluyen:

personal de servicio del sistema de calefacción con licencia,

personal autorizado de la compañía de gas, y

personal autorizado para dar servicio.

No seguir estas instrucciones puede ocasionar la muerte, explosión o incendio.

1. Retire el tapón rojo de la línea de suministro de gas de la secadora.
2. Conecte el suministro de gas a la secadora. Si la manguera de gas flexible tiene una rosca de 10 mm (3/8") BSP, use el adaptador de rosca de conversión proporcionado. Use un compuesto para unión de tuberías resistente a la acción del gas L.P. para conexiones de gas.
Si es necesario para el servicio, abra el panel de pie. Use un cuchillo de masilla para presionar los 2 seguros del panel de pie situados en la parte superior de dicho panel. Tire del panel de pie hacia abajo para abrirlo. El panel de pie tiene bisagras en la parte inferior.
3. Abra la llave de paso en la línea de suministro de gas y asegúrese de que el suministro de gas de la unidad esté abierto.
4. Pruebe todas las conexiones aplicando con un cepillo una solución homologada para detección de fugas que no sea corrosiva. Si hay fugas, se observarán burbujas. Elimine cualquier fuga que encuentre.

ESPECIFICACIONES TÉCNICAS – SECADORA A GAS

230 V~60 Hz 1 fase 10 A máximo IPX4 Capacidad de carga: 10,5 kg máximo Nivel de presión de sonido, LpA: 58 dB(A) (incertidumbre, kPa: +/-10 dB [A]) Masa total: 74 kg máximo.

Ajustado en fábrica para GAS NATURAL: Tamaño del inyector: 2,2 mm Capacidad calorífica bruta: 5,9 kW

Presión de suministro (G20):	20 mbar
------------------------------	---------

Presión ajustada en fábrica:	7,4 mbar
------------------------------	----------

Con kit de conversión de gas L.P.: Tamaño del inyector: 1,25 mm Capacidad calorífica bruta: 6,4 kW

Presión de suministro de gas butano (G30):	28-30 mbar
--	------------

Gas Presión de suministro (G31):	37 mbar
----------------------------------	---------

NOTA: Kit de conversión: De gas natural a gas L.P. Gas - Europa: Pieza de Whirlpool N.º W10233219.

Fabricante: Whirlpool Corporation, Benton Harbor, Michigan 49022, EE. UU.

Planta de fabricación: Whirlpool Corporation, 1300 Marion-Agosta Rd., Marion, OH, 43302, EE. UU.

Representantes en la U.E.: Whirlpool EMEA S.p.A., Via Carlo Pisacane, 1, 20016 Pero (MI) Italia.

INSTALACIÓN COMPLETA

1. Verifique los requisitos eléctricos. Asegúrese de contar con el suministro eléctrico correcto y el método recomendado de conexión a tierra. Consulte "Requisitos eléctricos".
2. Verifique que todas las piezas estén ahora instaladas. Si hay una pieza adicional, repita los pasos.
3. Verifique que tenga todas las herramientas.
4. Deshágase de todos los materiales de embalaje o recíclelos.

⚠ ADVERTENCIA



Peligro de Choque Eléctrico

Conecte a un contacto de pared de conexión a tierra de 3 o 4 terminales.

No quite la terminal de conexión a tierra.

No use un adaptador.

No use un cable eléctrico de extensión.

No seguir estas instrucciones puede ocasionar la muerte, incendio o choque eléctrico.

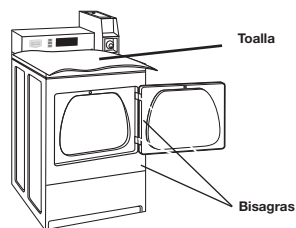
5. Enchufe el aparato en una toma de corriente con conexión a tierra o conecte el suministro eléctrico.
6. Verifique el funcionamiento de la secadora. Cierre la puerta de la secadora. Establezca el ciclo. El tiempo de funcionamiento se acumulará según el número de monedas. Usando un ciclo de calor máximo (no el ciclo de aire), deje que la secadora funcione durante al menos 5 minutos. La secadora se detendrá cuando haya transcurrido el tiempo. Asegúrese de que la secadora se apague.
NOTA: La puerta de la secadora debe cerrarse para que funcione. Cuando se abre la puerta, la secadora se detiene pero el temporizador continúa funcionando.
7. **Solo modelos a gas:** Abra la puerta de la secadora. Verifique que el interior de la secadora esté caliente. Si el quemador no se enciende y no percibe calor dentro de la secadora, apáguela durante 5 minutos. Revise que todos los controles de la válvula de suministro estén en la posición "ON", y que el cable eléctrico esté enchufado. Repita la prueba de cinco minutos.
8. Si el tiempo de secado es demasiado largo, asegúrese de que el filtro de pelusa esté limpio y de que no haya obstrucciones del flujo de aire en el sistema de ventilación de la secadora.
9. Ponga la secadora de nuevo en marcha y deje que termine un ciclo de calor completo (no un ciclo de aire) para asegurarse de que esté funcionando adecuadamente.

Si lo desea, puede invertir el sentido de apertura de la puerta del lado derecho al lado izquierdo.

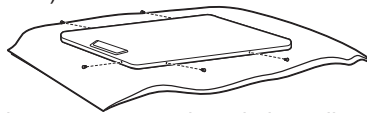
INVERSIÓN DEL SENTIDO DE APERTURA DE LA PUERTA (OPCIONAL)

Retirada del conjunto de la puerta

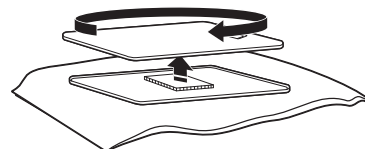
1. Coloque una toalla o un paño suave en la parte superior de la secadora o de la superficie de trabajo para evitar rayar la superficie.
2. Abra la puerta de la secadora. Retire los tornillos inferiores del lado de la carcasa que tiene bisagras. Afloje (no retire) los tornillos superiores del lado de la carcasa que tiene bisagras.



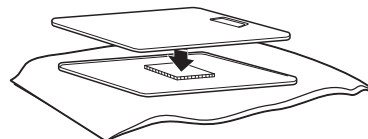
3. Levante la puerta hasta que los tornillos superiores de la carcasa estén en la parte grande de la ranura de la bisagra. Tire de la puerta hacia delante para sacarla de los tornillos. Coloque la puerta (con el lado de la manija hacia arriba) encima de la secadora. Retire los tornillos superiores de la carcasa.
4. Retire los tornillos que sujetan las bisagras a la puerta.
5. Retire los tornillos en la parte superior, inferior y lateral de la puerta (5 tornillos).



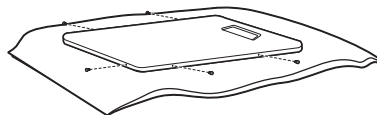
6. Sosteniendo la puerta por encima de la toalla en la secadora, tome los lados de la puerta exterior y levántela con cuidado para separarla de la puerta interior. No las apalanque con un cuchillo de masilla. No tire de la junta de la puerta ni del seguro de plástico de la puerta.



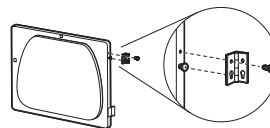
7. Asegúrese de mantener el espaciador de cartón centrado entre las puertas. Vuelva a sujetar el panel exterior al panel interior de la puerta de modo que la manija quede en el lado en donde acaban de retirarse las bisagras.



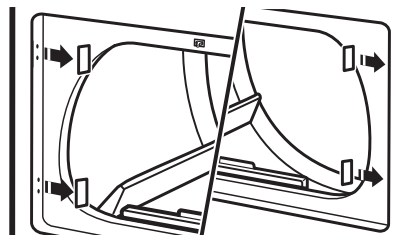
8. Vuelva a sujetar los tornillos en la parte superior, inferior y lateral de la puerta (5 tornillos).



9. Sujete las bisagras de la puerta a la misma de modo que el orificio más grande esté en la parte inferior de la bisagra y el pasador de la bisagra esté orientado hacia el frente de la puerta.

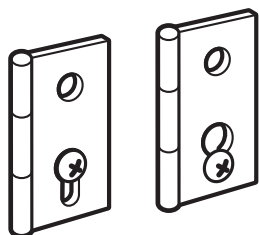


10. Retire las dos etiquetas del lado izquierdo y muévalas al lado derecho. Si las etiquetas están dañadas, solicite el número de referencia W11481394.



11. Inserte los tornillos en los orificios inferiores en el lado izquierdo de la carcasa. Apriete los tornillos hasta la mitad. Coloque la puerta de modo que el extremo grande de la ranura de la bisagra de la puerta esté sobre los tornillos. Deslice la puerta hacia arriba de modo que los tornillos queden en la parte inferior de las ranuras. Apriete los tornillos. Inserte y apriete los tornillos superiores en las bisagras.

12. Cierre la puerta y verifique que el tope de la misma esté alineado con el seguro de la puerta. Si es necesario, deslice el seguro de la puerta hacia la izquierda o derecha dentro de la ranura para ajustar el alineamiento.



ELIMINACIÓN DE LA SECADORA



Este electrodoméstico está marcado de acuerdo con la directiva europea 2002/96/EC sobre Residuos de Equipos Eléctricos y Electrónicos (Waste Electrical and Electronic Equipment - WEEE).

Asegurándose de que este producto será eliminado correctamente, usted ayudará a prevenir consecuencias negativas potenciales para el medio ambiente y la salud humana, que podrían causarse por el manejo inapropiado de este producto.

El símbolo sobre el producto, o en los documentos que acompañan al producto, indica que este electrodoméstico no puede tratarse como basura doméstica. Contrariamente, deberá ser entregado al punto de recogida correspondiente para el reciclado de equipos eléctricos y electrónicos.

La eliminación debe llevarse a cabo de acuerdo con las regulaciones ambientales locales para la eliminación de basura.

Para información más detallada acerca del tratamiento, recuperación y reciclado de este producto, por favor, contacte con su oficina municipal local, su servicio de eliminación de basura doméstica o la tienda donde compró el producto.

NOMENCLATURA DE LOS MODELOS:

MDG – Maytag a gas

20 – Número del tipo de modelo

MN – Temporizador de no pago

T – Revisión de la serie

K – 230 V 60 Hz

W – Blanco

INSTRUCCIONES IMPORTANTES DE SEGURIDAD

Antes de guardar o descartar su vieja secadora, quítele la puerta.

GUARDE ESTAS INSTRUCCIONES

NOTES

NOTES

NOTES

