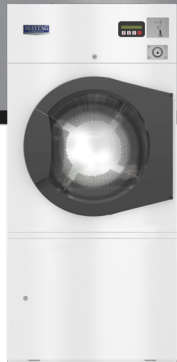
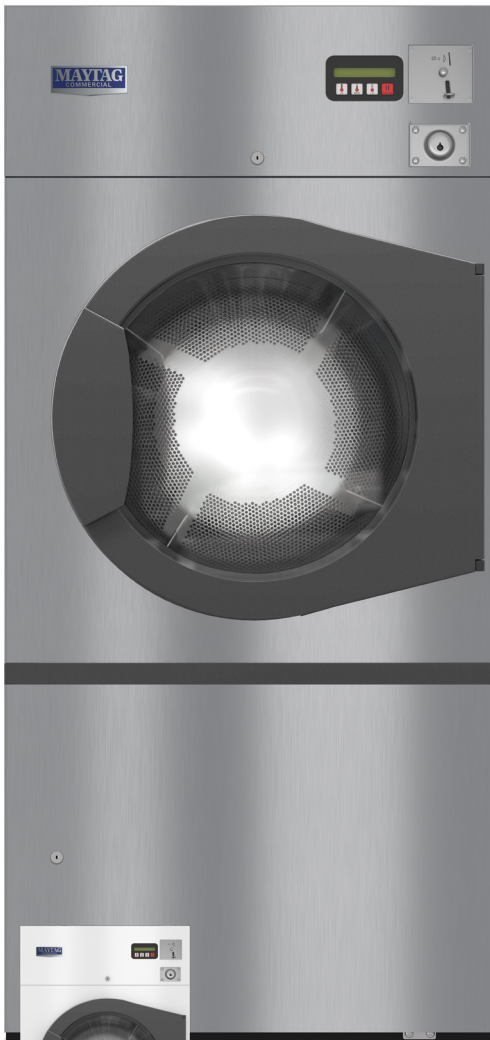


MAYTAG ADVANTAGE SERIES

DRYER • 35-LB CAPACITY • VENDED
MDG36PD



COIN EQUIPPED
MDG36PDAWS pictured above
MDG36PDWW pictured at left

The Maytag Advantage Series dryers offer elite drying power and fast cycles, helping minimize cost of ownership while boosting energy efficiency. They're built with simple, straightforward designs for low maintenance and quick, easy service. Programmable temperature cycles allow these dryers to tackle large loads with the exact drying power you need. When choosing Maytag Commercial Laundry, the Advantage is simple.

INTELLIGENT INVERTER DRIVE

Alternates the speed of the drum throughout the cycle, allowing for a soft controlled start and optimized tumbling during drying. The inverter drive also features a simple and reliable single drive belt system for easy serviceability.

STAINLESS STEEL BASKET WITH TAPERED RIBS & FRONT

The Maytag Advantage Series comes standard with a stainless steel basket and front panel (front panel on MDG36PDAWS only) that helps modernize the look of your vended location and protect against corrosion.

TRANS-AXIAL AIRFLOW

Combining radial airflow patterns with axial heat input, trans-axial airflow maximizes efficiency while maintaining high performance.

SINGLE-PHASE REVERSING BASKET

The reversing tumbler rotation helps prevent “roping,” eliminates uneven drying and prolonged dry times, and better separates larger items as the tumbler reverses—providing a better dry for a better customer experience. For business owners, the standard single-phase feature eliminates the need for costly electrical service upgrades.

ADDITIONAL FEATURES

- 35-lb capacity
- 5-Year Limited parts warranty
- Variable drum speed
- Pre-heat system
- Fully insulated cabinet
- Self-cleaning lint screen
- Direct spark ignition
- Two-point roller support
- Reversible door
- Locking lint door



See maytagcommerciallaundry.com for warranty details.

VISIT MAYTAGCOMMERCIALLAUNDRY.COM FOR MORE INFORMATION.

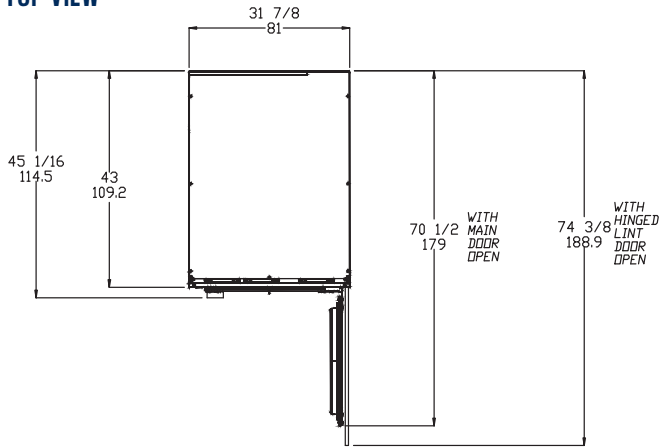
®/™ © 2025 Maytag. All rights reserved.
MY250427 12/25

MAYTAG ADVANTAGE SERIES

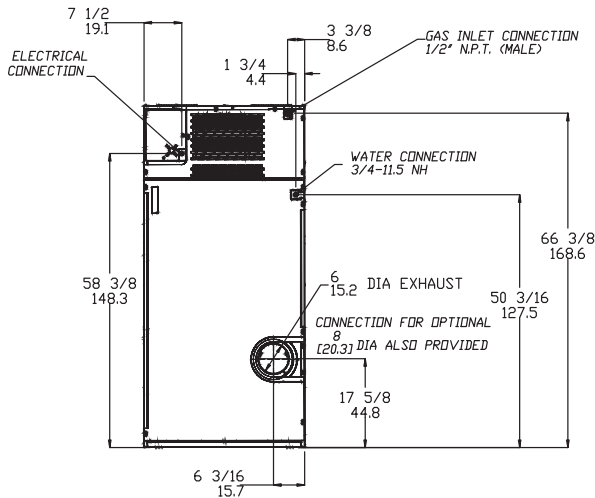
DRYER • 35-LB CAPACITY • VENDED
MDG36PD



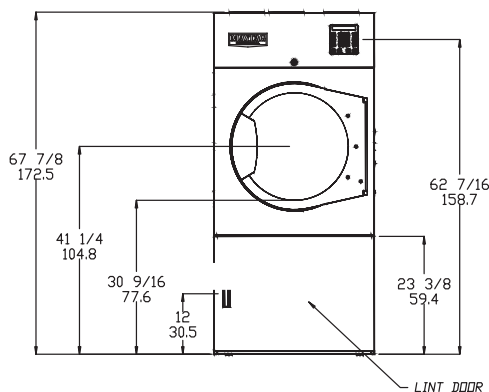
TOP VIEW



REAR VIEW



FRONT VIEW



MDG36PDAWS MDG36PDAWW	VENDED GAS
CAPACITY	
Maximum Capacity Dry Weight — lb (kg)	35 (15.87)
Tumbler Diameter — in. (cm)	30 (76.2)
Tumbler Depth — in. (cm)	29-3/8 (74.61)
Tumbler Volume — cu. ft. (L)	12.0 (339.8)
Tumbler/Drive Motor — hp (kW)	1 (0.75)
Blower/Fan Motor — hp (kW)	1/2 (0.37)
DIMENSIONS	
Cabinet Width — in. (cm)	31-7/8 (80.96)
Cabinet Depth — in. (cm)	43 (109.22)
Cabinet Height — in. (cm)	67-7/8 (172.4)
Door Opening (diameter) — in. (cm)	21-1/2 (54.61)
Door Sill Height — in. (cm)	30-9/16 (77.62)
Dryers per 20'/40' Container	10/22
Dryers per 48'/53' Container	32/36
APPROXIMATE WEIGHT	
Net Weight — lb (kg)	552 (250.38)
Shipping Weight — lb (kg)	585 (265.35)
ELECTRICAL REQUIREMENTS	
Voltage Available	120V/60 Hz
Approx. Amp Draw (Amps)	10.2
Breaker Size (Amps)	15
GAS / AIRFLOW / CONNECTIONS	
Airflow — CFM (CMM)	440 (12.46)
Heat Input — BTU/hr (kcal/hr)	70,000 (17,639)
Gas Inlet Connection Size — in.	1/2" N.P.T. (male)
Exhaust Connection (diameter) — in. (cm)	6 (15.24) / 8 (20.32)



Dimensions are for planning purposes only. See specific instructions for proper installation. Because of continuous product improvement, Maytag reserves the right to change specifications without notice.