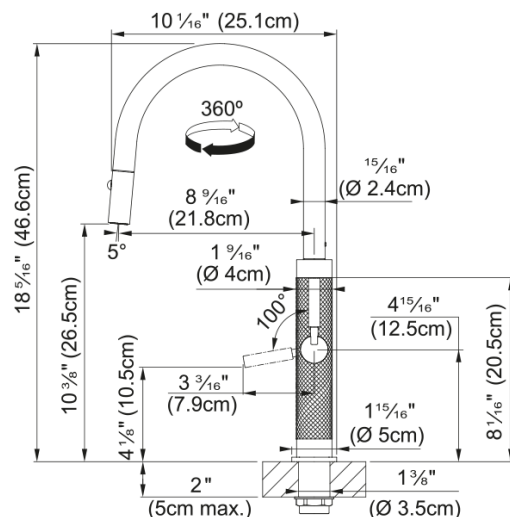


Mythos Masterpiece Pull-Down, MMX-PD-CPR | 115.0731.726



Mythos Masterpiece 18.3-inch Single Handle Pull-Down Spray Faucet in Copper, a perfect blend of functional design, elegant style, and meticulous attention to detail. This faucet is an ideal complement to your Franke kitchen, featuring a dual spray with laminar stream that provides powerful and effective washing, even for the most stubborn dirt. The pull-down spray reaches every corner of the large Mythos Masterpiece sink bowls, ensuring maximum convenience. Crafted with a scratch-resistant textured body and solid 304 stainless steel construction, this faucet offers enhanced durability and hygiene. The unique lever shape with 100° movement allows the faucet to be mounted close to the wall while maintaining full usability. Additionally, the laminar aerator delivers a clear, non-splashing water stream with minimal noise. The dual-function spray head can effortlessly toggle between a powerful spray and a stream for easy clean-up.

Aspect

Spout type	J - spout
Color	Copper
Type of material	Stainless steel 304
Flexible pullout hose material	Nylon black
Spray head material	Stainless steel

Product Dimensions

Faucet hole diameter	35 mm
Cartridge dimension	25 mm

Installation

Mounting type	Shank
Water supply hose connection	1/2"
Water supply hose length	550 mm

Product specifications

Pressure	High pressure
Faucet type	Pull-out spray
Faucet operation	Side lever
Faucet rotation	360°

Product identification

Product brand	FRANKE
Product family	Mythos
Collection	Mythos Masterpiece

Features

Water saving feature	No
----------------------	----

Type of aerator

Laminar